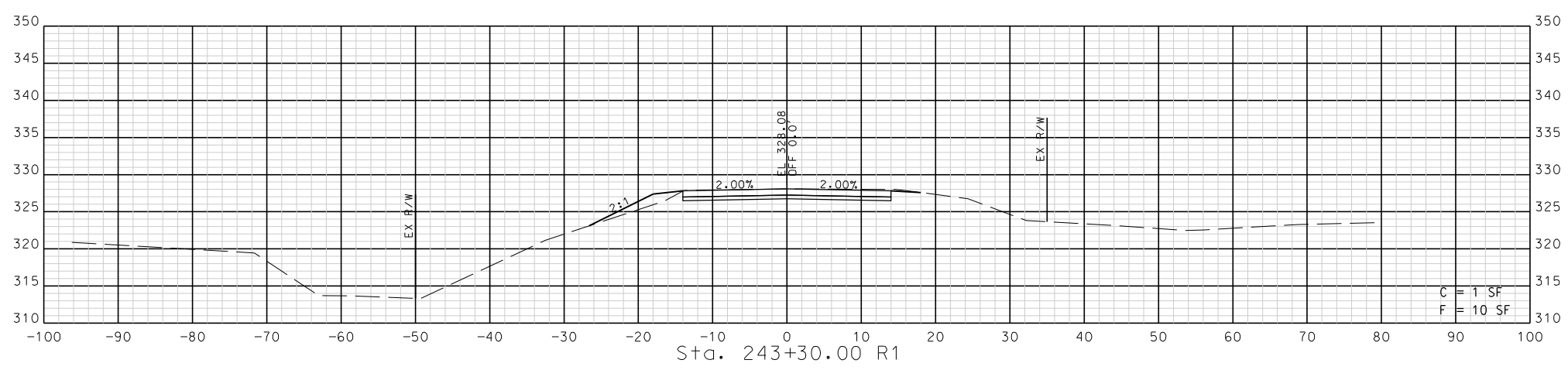
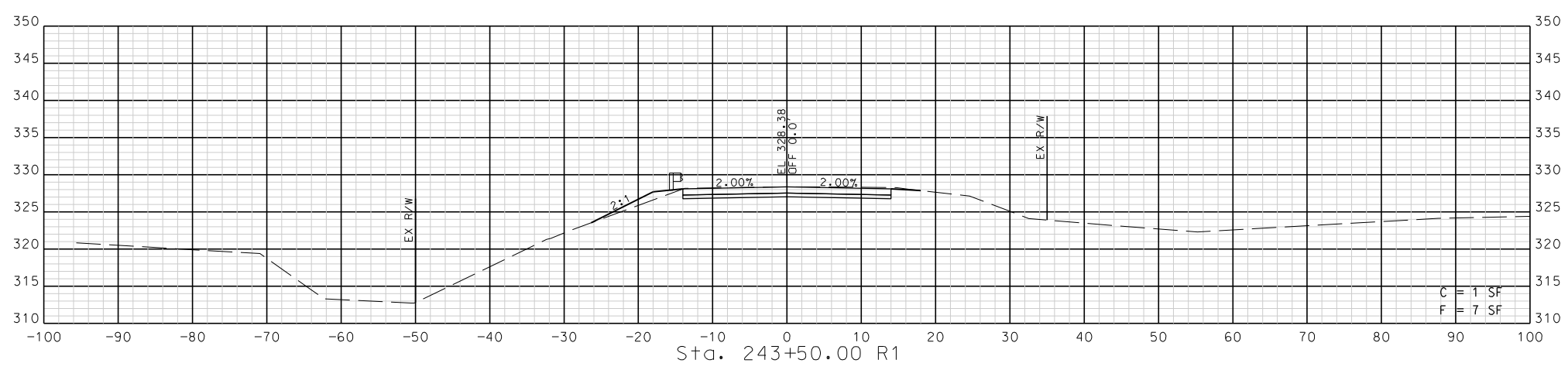
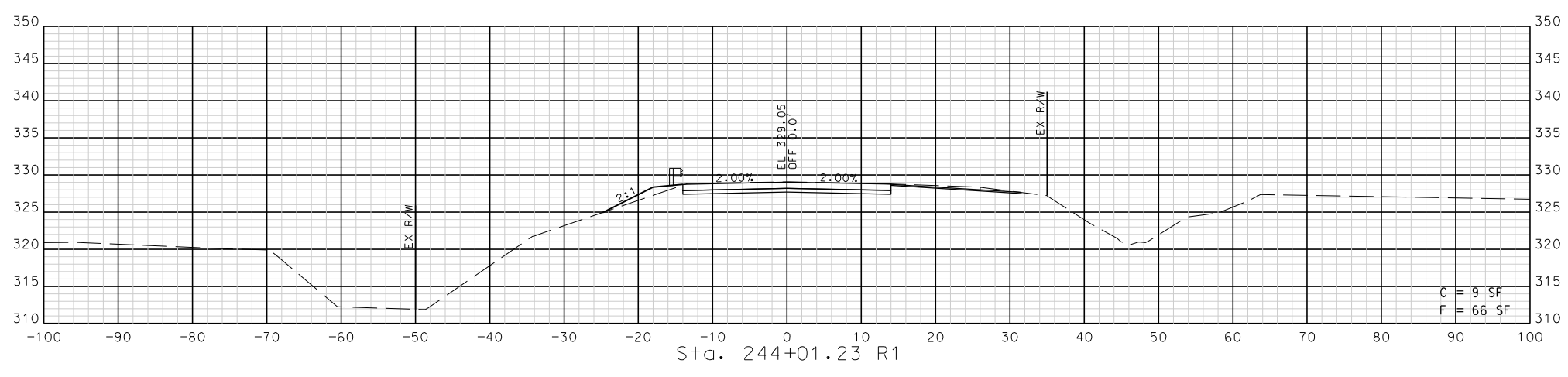




THIS SHEET HAS BEEN
SIGNED, SEALED AND DATED
ELECTRONICALLY.

DATE PREPARED 4/5/2024	
ROUTE B	STATE MO
DISTRICT SE	SHEET NO. 1
COUNTY BUTLER	
JOB NO. J9S3606	
CONTRACT ID.	
PROJECT NO.	
BRIDGE NO. A9215	



STA. 243+30.00 R1 TO STA. 244+00.00 R1

CROSS SECTIONS
SHEET 1 OF 3

DATE	DESCRIPTION

MISSOURI HIGHWAYS AND TRANSPORTATION
COMMISSION

105 WEST CAPITOL
JEFFERSON CITY, MO 65102
1-888-ASK-MODOT (1-888-273-6636)

St. Louis
720 Olive St., Suite 700
St. Charles
314-588-8381
St. Charles
105 West Capitol
Jefferson City, MO 65102
686-493-6277

OATES
ASSOCIATES

Collinsville
100 Lamer Court, Suite 1
63624
618-345-2200

Bellville
1500 S. Main, Suite 200
Jefferson City, MO 65101
618-416-4688
www.oatesassociates.com

MISSOURI DESIGN FIRM PE-001166



THIS SHEET HAS BEEN SIGNED, SEALED AND DATED ELECTRONICALLY.

DATE PREPARED
4/5/2024

ROUTE B STATE MO

DISTRICT SE SHEET NO. 2

COUNTY BUTLER

JOB NO. J9S3606

CONTRACT ID.

PROJECT NO.

BRIDGE NO. A9215

DESCRIPTION

DATE	DESCRIPTION

MISSOURI HIGHWAYS AND TRANSPORTATION COMMISSION

105 WEST CAPITOL JEFFERSON CITY, MO 65102

1-888-ASK-MODOT (1-888-273-6636)



St. Louis
720 Olive Street, Suite 700
St. Louis, MO 63101
314-588-8381

St. Charles
St. Charles, MO 63301
636-493-6277

Collinsville
100 Lamber Court, Suite 1
Collinsville, MO 63901
618-345-2200

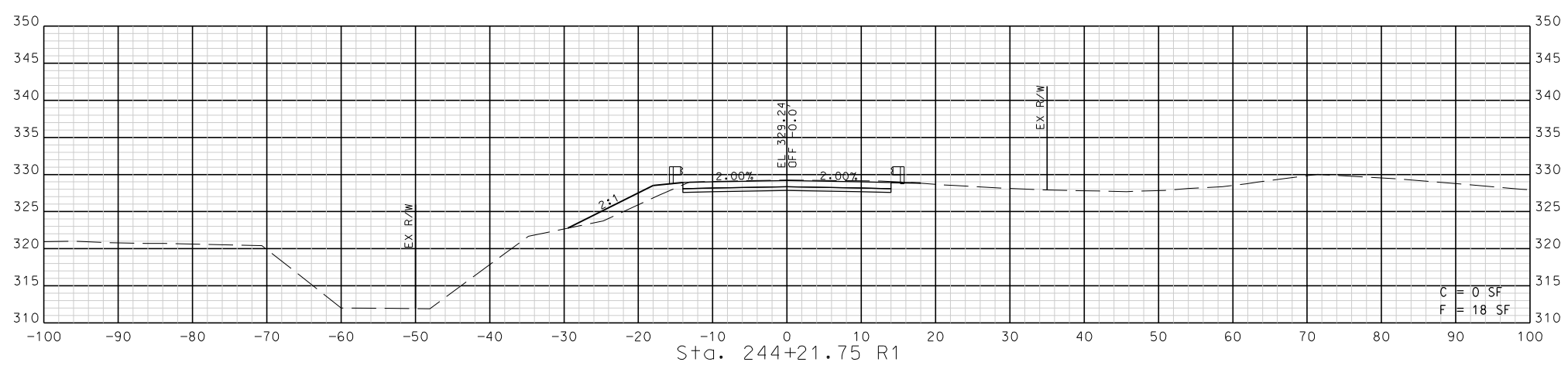
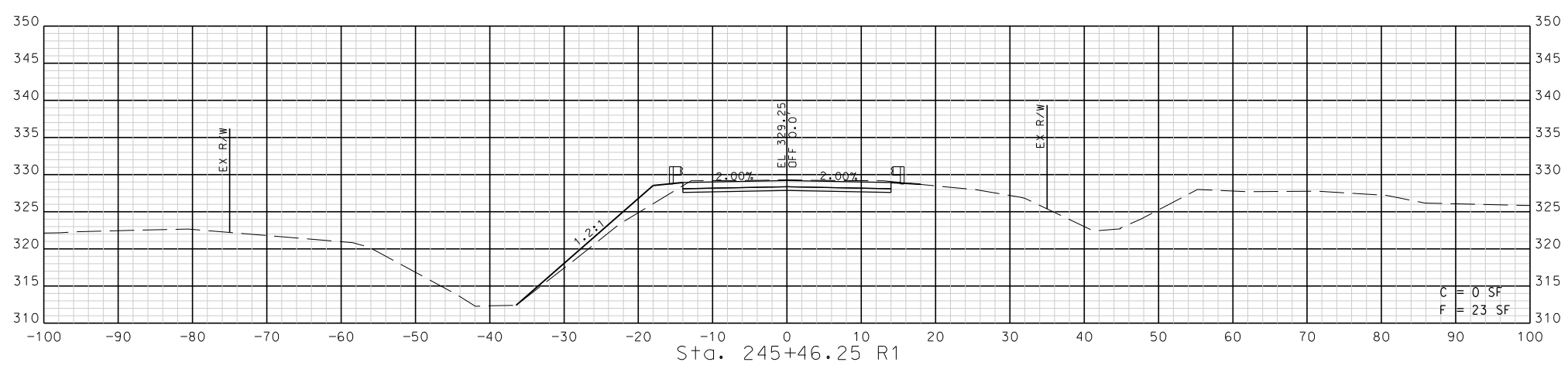
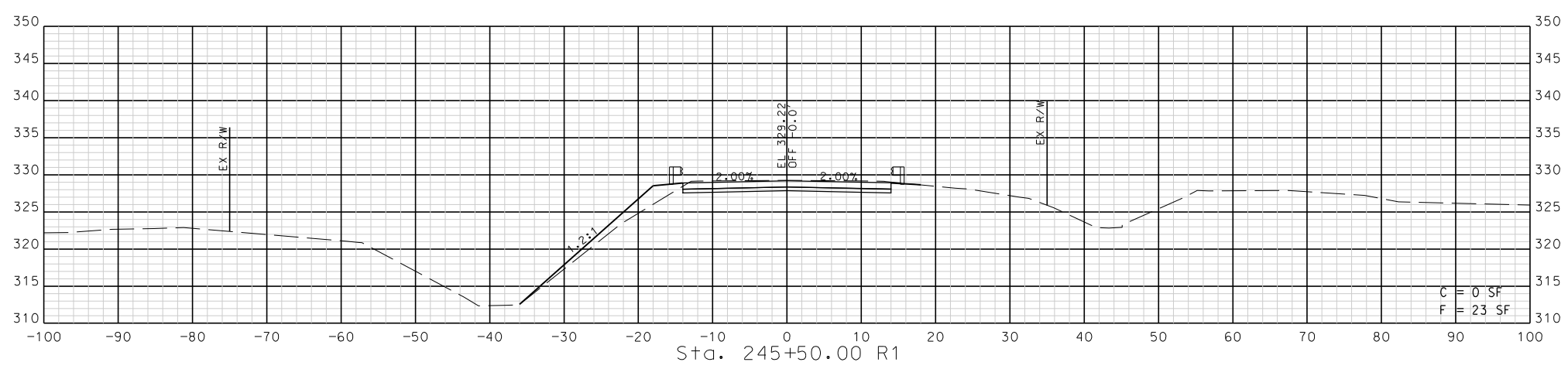
Bellefonte
Bellefonte, PA 16823
814-346-4688

St. Charles, MO 63301
St. Charles, MO 63301
St. Charles, MO 63301

MISSOURI DESIGN FIRM PE-001166

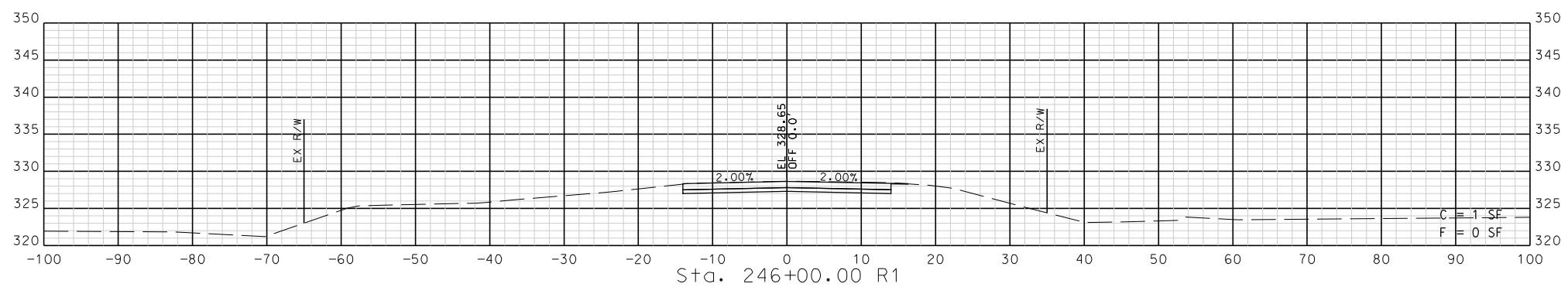
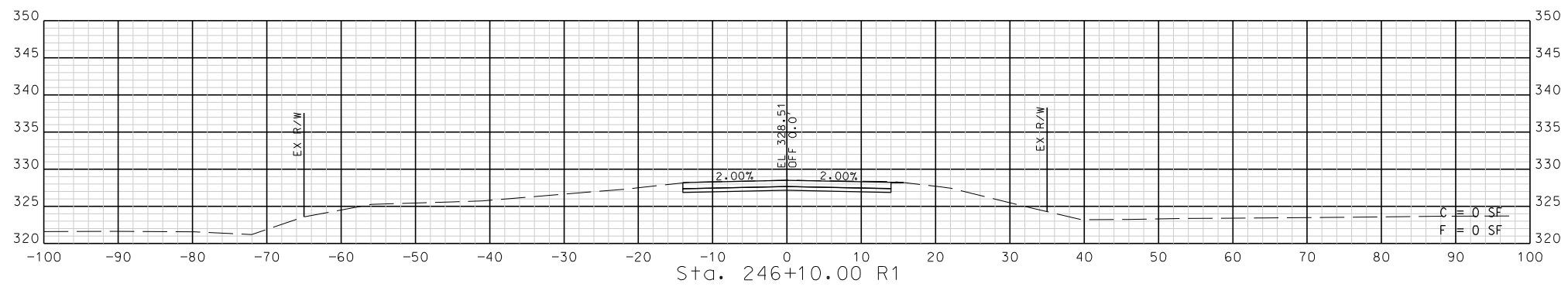


OATES ASSOCIATES



STA. 244+21.75 R1 TO STA. 245+50.00 R1

CROSS SECTIONS SHEET 2 OF 3



STA. 246+00.00 R1 TO STA. 246+10.00 R1

CROSS SECTIONS
SHEET 3 OF 3



THIS SHEET HAS BEEN
SIGNED, SEALED AND DATED
ELECTRONICALLY.

DATE PREPARED
4/5/2024

ROUTE B	STATE MO
------------	-------------

DISTRICT SE	SHEET NO. 3
----------------	----------------

COUNTY
BUTLER

JOB NO.
J9S3606

CONTRACT ID.

PROJECT NO.

BRIDGE NO.
A9215

DATE	DESCRIPTION

MISSOURI HIGHWAYS AND TRANSPORTATION
COMMISSION

105 WEST CAPITOL
JEFFERSON CITY, MO 65102
1-888-ASK-MODOT (1-888-273-6636)

St. Louis
720 Olive St., Suite 700
St. Charles
314-588-8881

Collinsville
100 Lamer Court, Suite 1
02214
618-245-2200

Belleville
1010 N. 3rd St., Suite 300
Belleville, IL 62200
618-416-4688

MISSOURI DESIGN FIRM PE-001166

OATES
ASSOCIATES