

JOB SPECIAL PROVISIONS TABLE OF CONTENTS (ROADWAY)


(Job Special Provisions shall prevail over General Special Provisions whenever in conflict therewith.)

A.	General - Federal JSP-09-02K	2
B.	Contract Liquidated Damages	3
C.	Work Zone Traffic Management	3
D.	Utilities JSP-93-26F	7
E.	ADA Compliance and Final Acceptance of Constructed Facilities JSP-10-01C	10
F.	Emergency Provisions and Incident Management	12
G.	Project Contact for Contractor/Bidder Questions	12
H.	Alternates for Pavements JSP-96-04G	13
I.	Watermain Relocation	14
J.	Sanitary Sewer Relocation	14
K.	Storm Sewer Construction in City Right-of-Way	14
L.	Access to Commercial and Private Entrances	15
M.	Coordination with Columbia Public Schools	15
N.	Removal and Delivery of Existing Signs JSP-12-01C	15
O.	Video Detection System	16
P.	InSync Adaptive Traffic Control System	19
Q.	MoDOT TS2 Cabinet Assembly (Single and Double)	20
R.	ITS Equipment (New and Relocated)	24
S.	Guardrail Grading Requirements JSP-17-02B	24
T.	Contractor Quality Control NJSP-15-42	25
U.	Winter Months Requirements JSP-15-07A	27
V.	Settlement Gauge	28
W.	Existing Concrete Traffic Barriers at Commuter Parking Lot	28
X.	Tree Clearing Restriction	28
Y.	Traffic Signal and ITS Equipment Removal	28
Z.	Drill Pullbox & ATG	29
AA.	APS System (Intersection)	29
BB.	Network Switch	31
CC.	Fiber Optic Cable	31
DD.	Relocate School Speed Sign Unit	38
EE.	Relocate Existing Sign	38
FF.	Material Specification for Embankment in Place	39
GG.	RIGHT-OF-WAY CLEARANCE – DELAYED POSSESSION	39
HH.	75ft Span Tubular Truss, 2 Tube	40
II.	4 In Square Pipe Post	40

 REVISED

 REVISED

- Appendix A: City of Columbia Water Main Technical Specifications
- Appendix B: City of Columbia Sanitary Sewer Technical Specifications
- Appendix C: City of Columbia Street, Storm Drain, and Sanitary Sewer Specifications and Standards

 <p>THIS SHEET HAS BEEN SIGNED, SEALED AND DATED ELECTRONICALLY.</p>	MISSOURI HIGHWAYS AND TRANSPORTATION COMMISSION 105 W. CAPITOL AVE. JEFFERSON CITY, MO 65102 Phone 1-888-275-6636
	Bartlett & West, Inc. 610 Monroe Street, Suite 201 Jefferson City, MO 65101 Certificate of Authority 000167 Consultant Phone: (573) 634-3181
	If a seal is present on this sheet, JSP's have been electronically sealed and dated.
	JOB NUMBER: J5P3433 BOONE COUNTY, MO DATE PREPARED: 9/11/2024
	ADDENDUM DATE: R001 10/2/2024
Only the following items of the Job Special Provisions (Roadway) are authenticated by this seal: All	

A. General - Federal JSP-09-02K

1.0 Description. The Federal Government is participating in the cost of construction of this project. All applicable Federal laws, and the regulations made pursuant to such laws, shall be observed by the contractor, and the work will be subject to the inspection of the appropriate Federal Agency in the same manner as provided in Sec 105.10 of the Missouri Standard Specifications for Highway Construction with all revisions applicable to this bid and contract.

1.1 This contract requires payment of the prevailing hourly rate of wages for each craft or type of work required to execute the contract as determined by the Missouri Department of Labor and Industrial Relations and requires adherence to a schedule of minimum wages as determined by the United States Department of Labor. For work performed anywhere on this project, the contractor and the contractor's subcontractors shall pay the higher of these two applicable wage rates. State Wage Rates, Information on the Required Federal Aid Provisions, and the current Federal Wage Rates are available on the Missouri Department of Transportation web page at www.modot.org under "Doing Business with MoDOT", "Contractor Resources". Effective Wage Rates will be posted 10 days prior to the applicable bid opening. These supplemental bidding documents have important legal consequences. It shall be conclusively presumed that they are in the bidder's possession, and they have been reviewed and used by the bidder in the preparation of any bid submitted on this project.

1.2 The following documents are available on the Missouri Department of Transportation web page at www.modot.org under "Doing Business with MoDOT"; "Standards and Specifications". The effective version shall be determined by the letting date of the project.

General Provisions & Supplemental Specifications

Supplemental Plans to July 2024 Missouri Standard Plans
For Highway Construction

These supplemental bidding documents contain all current revisions to the published versions and have important legal consequences. It shall be conclusively presumed that they are in the bidder's possession, and they have been reviewed and used by the bidder in the preparation of any bid submitted on this project.

B. Contract Liquidated Damages

1.0 Description. Liquidated Damages for failure or delay in completing the work on time for this contract shall be in accordance with Sec 108.8. The liquidated damages include separate amounts for road user costs and contract administrative costs incurred by the Commission.

2.0 Period of Performance. Prosecution of work is expected to begin on the date specified below in accordance with Sec 108.2. Regardless of when the work is begun on this contract, all work shall be completed on or before the date specified below. Completion by this date shall be in accordance with the requirements of Sec 108.7.1.

Notice to Proceed: December 9, 2024
Completion Date: November 30, 2026

2.1 Calendar Days. The count of calendar days will begin on the date the contractor starts any construction operations on the project.

Job Number	Calendar Days	Daily Road User Cost
J5P3433	730	\$2,300

3.0 Liquidated Damages for Contract Administrative Costs. Should the contractor fail to complete the work on or before the completion date specified in Section 2.0, or within the number of calendar days specified in Section 2.1, whichever occurs first, the contractor will be charged contract administrative liquidated damages in accordance with Sec 108.8 in the amount of **\$1,500** per calendar day for each calendar day, or partial day thereof, that the work is not fully completed. For projects in combination, these damages will be charged in full for failure to complete one or more projects within the above specified completion date or calendar days.

4.0 Liquidated Damages for Road User Costs. Should the contractor fail to complete the work on or before the completion date specified in Section 2.0, or within the number of calendar days specified in Section 2.1, whichever occurs first, the contractor will be charged road user costs in accordance with Sec 108.8 in the amount specified in Section 2.1 for each calendar day, or partial day thereof, that the work is not fully completed. These damages are in addition to the contract administrative damages and any other damages as specified elsewhere in this contract.

C. Work Zone Traffic Management

1.0 Description. Work zone traffic management shall be in accordance with applicable portions of Division 100 and Division 600 of the Standard Specifications, and specifically as follows.

1.1 Maintaining Work Zones and Work Zone Reviews. The Work Zone Specialist (WZS) shall maintain work zones in accordance with Sec 616.3.3 and as further stated herein. The WZS shall coordinate and implement any changes approved by the engineer. The WZS shall ensure all traffic control devices are maintained in accordance with Sec 616, the work zone is operated within the hours specified by the engineer and will not deviate from the specified hours without prior approval of the engineer. The WZS is responsible to manage work zone delay in accordance with these project provisions. When requested by the engineer, the WZS shall submit a weekly report that includes a review of work zone operations for the week. The report shall identify any problems encountered and corrective actions taken. Work zones are subject to unannounced inspections by the engineer and other departmental staff to corroborate the validity of the WZS's review and may require immediate corrective measures and/or additional work zone monitoring.

1.2 Work Zone Deficiencies. Failure to make corrections on time may result in the engineer suspending work. The suspension will be non-excusable and non-compensable regardless if road user costs are being charged for closures.

2.0 Traffic Management Schedule.

2.1 Traffic management schedules shall be submitted to the engineer for review prior to the start of work and prior to any revisions to the traffic management schedule. The traffic management schedule shall include the proposed traffic control measures, the hours traffic control will be in place, and work hours.

2.2 The traffic management schedule shall conform to the limitations specified in Sec 616 regarding lane closures, traffic shifts, road closures and other width, height and weight restrictions.

2.3 The engineer shall be notified as soon as practical of any postponement due to weather, material or other circumstances.

2.4 In order to ensure minimal traffic interference, the contractor shall schedule lane closures for the absolute minimum amount of time required to complete the work. Lanes shall not be closed until material is available for continuous construction and the contractor is prepared to diligently pursue the work until the closed lane is opened to traffic.

2.5 Traffic Congestion. The contractor shall, upon approval of the engineer, take proactive measures to reduce traffic congestion in the work zone. The contractor shall immediately implement appropriate mitigation strategies whenever traffic congestion reaches an excess of **15 minutes** to prevent congestion from escalating beyond this delay threshold. If disruption of the traffic flow occurs and traffic is backed up in queues equal to or greater than the delay time threshold listed above, then the contractor shall immediately review the construction operations which contributed directly to disruption of the traffic flow and make adjustments to the operations to prevent the queues from reoccurring. Traffic delays may be monitored by physical presence on site or by utilizing real-time travel data through the work zone that generate text and/or email notifications where available. The engineer monitoring the work zone may also notify the

contractor of delays that require prompt mitigation. The contractor may work with the engineer to determine what other alternative solutions or time periods would be acceptable. When a Work Zone Analysis Spreadsheet is provided, the contractor will find it in the electronic deliverables on MoDOT's Online Plans Room. The contractor may refer to the Work Zone Analysis Spreadsheet for detailed information on traffic delays.

2.5.1 Traffic Safety.

2.5.1.1 Recurring Congestion. Where traffic queues routinely extend to within 1000 feet of the ROAD WORK AHEAD, or similar, sign on a divided highway or to within 500 feet of the ROAD WORK AHEAD, or similar, sign on an undivided highway, the contractor shall extend the advance warning area, as approved by the engineer.

2.5.1.2 Non-Recurring Congestion. When traffic queues extend to within 1000 feet of the ROAD WORK AHEAD, or similar, sign on a divided highway or to within 500 feet of the ROAD WORK AHEAD, or similar, sign on an undivided highway infrequently, the contractor shall deploy a means of providing advance warning of the traffic congestion, as approved by the engineer. The warning location shall be no less than 1000 feet and no more than 0.5 mile in advance of the end of the traffic queue on divided highways and no less than 500 feet and no more than 0.5 mile in advance of the end of the traffic queue on undivided highways.

2.6 Transportation Management Plan. The contractor Work Zone Specialist (WZS) shall review the Transportation Management Plan (TMP), found as an electronic deliverable on MoDOT's Online Plans Room and discuss the TMP with the engineer during the preconstruction conference. Throughout the construction project, the WZS is responsible for updating any changes or modifications to the TMP and getting those changes approved by the engineer a minimum of two weeks in advance of implementation. The WZS shall participate in the post construction conference and provide recommendations on how future TMPs can be improved.

2.7 Traffic Management Center (TMC) Coordination. The Work Zone Specialist (WZS) or their designee shall contact by phone the MoDOT Traffic Management Center (KC Scout TMC at #816-347-2250) within five minutes of a lane or ramp closure beginning and within five minutes of a lane or ramp closure being removed. The WZS shall make this phone call 24 hours a day, 365 days of the year since the MoDOT Traffic Management Centers are always staffed.

3.0 Work Hour Restrictions.

3.1 Except for emergency work, as determined by the engineer, and long-term lane closures required by project phasing, all lanes shall be scheduled to be open to traffic during the five major holiday periods shown below, from 12:00 noon on the last working day preceding the holiday until 6:00 a.m. on the first working day subsequent to the holiday unless otherwise approved by the engineer.

Memorial Day
Labor Day
Thanksgiving
Christmas
New Year's Day

3.1.1 Independence Day. The lane restrictions specified in Section 3.1 shall also apply to Independence Day, except that the restricted periods shall be as follows:

12:00 noon June 30, 2023 – 6:00 a.m. July 5, 2023

3.1.2 The contractor's working hours will be restricted for the Special Events as shown below. All lanes shall be scheduled to be open to traffic during these Special Events.

**University of Missouri Home football games
University of Missouri Graduations**

3.1.3 University of Missouri Home football games. The contractor is hereby notified that the restrictions to work will occur when the University of Missouri, Columbia hosts home football games. Due to the proximity of this project to the stadium, certain restrictions be included.

3.1.4 University of Missouri Graduations. The contractor is hereby notified that the restrictions to work will occur when the University of Missouri, Columbia hosts graduation ceremonies. Due to the proximity of this project to the campus, certain restrictions be included.

3.2 The contractor may perform work that impacts the lanes of US-63 starting on the Notice to Proceed date, however the contractor shall schedule their work so all existing lanes of US-63 are open to traffic starting at noon the day preceding through noon the day following any home football game or graduation. For this specification the definition of "all lanes open to traffic" shall mean all traffic control devices not necessary for the public safety be removed or covered, all equipment moved away from the lanes of US-63, temporary concrete barrier placed across all open areas of the median as necessary for the safety of the traveling public as approved by the engineer. During this period the contractor shall not perform any work on or along US-63. The contractor may work on other portions of the project during these periods as approved by the engineer.

3.3 The contractor shall not perform any construction operation on the active lanes during restricted periods, holiday periods or other special events specified in the contract documents.

3.4 Any work requiring a reduction in the number of through lanes of traffic shall be completed during nighttime hours. Nighttime hours shall be considered to be 7:00 p.m. to 6:00 a.m. for this project.

3.5 The contractor shall not alter the start time, ending time, or a reduction in the number of through lanes of traffic or ramp closures without advance notification and approval by the engineer. The only work zone operation approved to begin 30 minutes prior to a reduction in through traffic lanes or ramp closures is the installation of traffic control signs. Should lane closures be placed or remain in place, prior to the approved starting time or after the approved ending time, the Commission, the traveling public, and state and local police and governmental authorities will be damaged in various ways, including but not limited to, increased construction administration cost, potential liability, traffic and traffic flow regulation cost, traffic congestion and motorist delays, with a resulting cost to the traveling public. These damages are not easily computed or quantified. Therefore, the contractor will be charged with liquidated damages specified in the amount of **\$1,000 per 15-minute increment** for each 15 minutes that the

temporary lane closures are in place and not open to traffic in excess of the limitation as specified elsewhere in this special provision. It shall be the responsibility of the engineer to determine the quantity of unapproved closure time.

3.5.1 The said liquidated damages specified will be assessed regardless of if it would otherwise be charged as liquidated damages under the Missouri Standard Specification for Highway Construction, as amended elsewhere in this contract.

4.0 Detours and Lane Closures.

4.1 When a changeable message sign (CMS) is provided, the contractor shall use the CMS to notify motorists of future traffic disruption and possible traffic delays one week before traffic is shifted to a detour or prior to lane closures. The CMS shall be installed at a location as approved or directed by the engineer. If a CMS with Communication Interface is required, then the CMS shall be capable of communication prior to installation on right of way. All messages planned for use in the work zone shall be approved and authorized by the engineer or its designee prior to deployment. When permanent dynamic message signs (DMS) owned and operated by MoDOT are located near the project, they may also be used to provide warning and information for the work zone. Permanent DMS shall be operated by the TMC, and any messages planned for use on DMS shall be approved and authorized by the TMC at least 72 hours in advance of the work.

5.0 Basis of Payment. No direct payment will be made to the contractor to recover the cost of equipment, labor, materials, or time required to fulfill the above provisions, unless specified elsewhere in the contract document. All authorized changes in the traffic control plan shall be provided for as specified in Sec 616.

D. Utilities JSP-93-26F

1.0 For informational purposes only, the following is a list of names, addresses, and telephone numbers of the known utility companies in the area of the construction work for this improvement:

<u>Utility Name</u>	<u>Known Required Adjustment</u>	<u>Type</u>
Ameren Zach Gottman Phone: (217) 741-9770 Email: zgottman@ameren.com	YES 2.0	Gas
Boone Electric Kirk Pickett Phone: (573) 441-7322	YES 2.1	Power

Email: kpickett@booneelectric.com		
City of Columbia - Water Joe Strodtman Phone: (573) 874-6308 Email: Joe.Strodtman@como.gov	YES 2.2	City Water
City of Columbia - Sewer Kim Ingham Phone: (573) 874-6380 Email: kim.ingham@como.gov	YES 2.3	Sewer
Lumen Richard Obremski Phone: (314) 378-9931 Email: richard.obremski@lumen.com	YES 2.4	Fiber
Lumen Cory Clouse Phone: (385) 479-7374 Email: Cory.Clouse@lumen.com	YES 2.4	Fiber

Bluebird Mark McFerren Phone: (816) 716-4514 Email: mark.mcferren@bluebirdnetwork.com	YES 2.5	Communications
Socket Todd Pulis Phone: (573) 818-4778 Email: tpulis@socket.net	YES 2.6	Communications
Brightspeed Mark Thrasher Phone: (704) 754-9387 Email: Mark.W.Thrasher@brightspeed.com	YES 2.7	Communications
Charter	YES	Communications

Chad Snyder Phone: (636) 368-7249 Email: Chad.Snyder@charter.com	2.8	
Mediacom Robert Boner Phone: (573) 443-1536 ext:3779 Email: rboner@mediacomcc.com	YES 2.9	Communications
Public Water District #9 Roger Ballew Email: rballew@pwsd9.com	NO	County Water
MoDOT Signals and Lighting Jason Morff Phone: (573) 526-3207 Email: jason.morff@modot.mo.gov	YES 2.10	Signals

1.1 The existence and approximate location of utility facilities known to exist, as shown on the plans, are based upon the best information available to the Commission at this time. This information is provided by the Commission "as-is" and the Commission expressly disclaims any representation or warranty as to the completeness, accuracy, or suitability of the information for any use. Reliance upon this information is done at the risk and peril of the user, and the Commission shall not be liable for any damages that may arise from any error in the information. It is, therefore, the responsibility of the contractor to verify the above listing information indicating existence, location and status of any facility. Such verification includes direct contact with the listed utilities.

2.0 Ameren gas has relocation along Route AC/New Haven that will extend the length of the project on the south side of the roadway. This is also a planned horizontal shift in an existing line along the east embankment of existing Lenoir/new northbound 63 off ramp.

2.1 Boone Electric has an overhead line along the north side of New Haven that will be in conflict and will require adjustment as well as multiple crossing line adjustments at various location along New Haven. They will also relocate a pole with an in line shift on the southern end of the projects limit where Lenoir street will turn from the south to the east.

2.2 City water is expecting relocation adjustments throughout the project. This work is to be completed by the contractor as noted in the contract documents.

2.3 City Sewer has multiple relocations planned throughout the project. This work is to be completed by the contractor as noted in the contract documents.

2.4 Lumen is expected to relocate facilities along US-63 and will run a line up the new off ramp crossing New Haven and connecting back to existing facilities on the west side of Lemone.

2.5 Bluebird has facilities in the northwest corner of New Haven and Lemone that will require adjustment within the existing right of way in the same general vicinity.

2.6 Socket has underground facilities along the north side of New Haven that will be relocated in conjunction with Boone Electric to be elevated on the BEC facilities.

2.7 Brightspeed relocations along the north side of New Haven including hubs that will be relocated north out of the proposed widening of New Haven.

2.8 Charter will relocate along New Haven out of the widening to the north

2.9 Mediacom facilities crossing Lemone will be vertically adjusted due to cutting grade on Lemone

2.10 MoDOT relocations will occur as part of the project.

E. ADA Compliance and Final Acceptance of Constructed Facilities JSP-10-01C

1.0 Description. The contractor shall comply with all laws pertaining to the Americans with Disabilities Act (ADA) during construction of pedestrian facilities on public rights of way for this project. An ADA Checklist is provided herein to be utilized by the contractor for verifying compliance with the ADA law. The contractor is expected to familiarize himself with the plans involving pedestrian facilities and the ADA Post Construction Checklist prior to performing the work.

2.0 ADA Checklist. The contractor can locate the ADA Checklist form on the Missouri Department of Transportation website:

<https://www.modot.org/forms-contractor-use>

2.1 The ADA Checklist is not to be considered all-inclusive, nor does it supersede any other contract requirements. The ADA checklist is a required guide for the contractor to use during the construction of the pedestrian facilities and a basis for the commission's acceptance of work. Prior to work being performed, the contractor shall bring to the engineer's attention any planned work that is in conflict with the design or with the requirement shown in the checklist. This notification shall be made in writing. Situations may arise where the checklist may not fully address all requirements needed to construct a facility to the full requirements of current ADA law. In those situations, the contractor shall propose a solution to the engineer that is compliant with current ADA law using the following hierarchy of resources: 2010 ADA Standards for Accessible Design, Draft Public Rights of Way Accessibility Guidelines (PROWAG) dated November 23, 2005, MoDOT's Engineering Policy Guidelines (EPG), or a solution approved by the U.S. Access Board.

2.2 It is encouraged that the contractor monitor the completed sections of the newly constructed pedestrian facilities in attempts to minimize negative impacts that his equipment, subcontractors

or general public may have on the work. Completed facilities must comply with the requirements of ADA and the ADA Checklist or have documented reasons for the non-compliant items to remain.

3.0 Coordination of Construction.

3.1 Prior to construction and/or closure on an existing pedestrian path of travel, the contractor shall submit a schedule of work to be constructed, which includes location of work performed, the duration of time the contractor expects to impact the facility and an accessible signed pedestrian detour compliant with MUTCD Section 6D that will be used during each stage of construction. This plan shall be submitted to the engineer for review and approval at or prior to the pre-construction conference. Accessible signed detours shall be in place prior to any work being performed that has the effect of closing an existing pedestrian travel way.

3.2 *When consultant survey is included in the contract, the contractor shall use their survey crews to verify that the intended design can be constructed to the full requirements as established in the 2010 ADA Standards. When 2010 ADA Standards do not give sufficient information to construct the contract work, the contractor shall refer to the PROWAG.*

3.3 When consultant survey is not included in the contract, the contractor shall coordinate with the engineer, prior to construction, to determine if additional survey will be required to confirm the designs constructability.

4.0 Final Acceptance of Work. The contractor shall provide the completed ADA Checklist to the engineer at the semi-final inspection. ADA improvements require final inspection and compliance with the ADA requirements and the ADA Checklist. Each item listed in the checklist must receive either a "YES" or an "N/A" score. Any item receiving a "NO" will be deemed non-compliant and shall be corrected at the contractor's expense unless deemed otherwise by the engineer. Documentation must be provided about the location of any non-compliant items that are allowed to remain at the end of the construction project. Specific details of the non-compliant items, the ADA requirement that the work was not able to comply with, and the specific reasons that justify the exception are to be included with the completed ADA Checklist provided to the engineer.

4.1 Slope and grade measurements shall be made using a properly calibrated, 2 foot long, electronic digital level approved by the engineer.

5.0 Basis of Payment. The contractor will receive full pay of the contract unit cost for all sidewalk, ramp, curb ramp, median, island, approach work, cross walk striping, APS buttons, pedestrian heads, detectible warning systems and temporary traffic control measures that are completed during the current estimate period as approved by the engineer. Based upon completion of the ADA Checklist, the contractor shall complete any necessary adjustments to items deemed non-compliant as directed by the engineer.

5.1 No direct payment will be made to the contractor to recover the cost of equipment, labor, materials, or time required to fulfill the above provisions, unless specified elsewhere in the contract documents.

F. Emergency Provisions and Incident Management

1.0 The contractor shall have communication equipment on the construction site or immediate access to other communication systems to request assistance from law enforcement or other emergency agencies for incident management. In case of traffic accidents or the need for law enforcement to direct or restore traffic flow through the job site, the contractor shall notify law enforcement or other emergency agencies immediately as needed. The area engineer's office shall also be notified when the contractor requests emergency assistance.

2.0 In addition to the 911 emergency telephone number for ambulance, fire or law enforcement services, the following agencies may also be notified for accident or emergency situation within the project limits.

Missouri Highway Patrol – Troop F: 573-751-1000 (*55 from cell)
MoDOT Customer Service: 1-888-ASK-MODOT
City of Columbia Police: 573-874-7652
City of Columbia Fire Department: 573-874-7391
Boone County Joint Communications: 573-442-6131

2.1 This list is not all inclusive. Notification of the need for wrecker or tow truck services will remain the responsibility of the appropriate law enforcement agency.

2.2 The contractor shall notify law enforcement and emergency agencies before the start of construction to request their cooperation and to provide coordination of services when emergencies arise during the construction at the project site. When the contractor completes this notification with law enforcement and emergency agencies, a report shall be furnished to the engineer on the status of incident management.

3.0 No direct pay will be made to the contractor to recover the cost of the communication equipment, labor, materials, or time required to fulfill the above provisions.

G. Project Contact for Contractor/Bidder Questions

All questions concerning this project during the bidding process shall be forwarded to the project contact listed below.

Jason Vanderfeltz PE, Project Contact
MoDOT – Central District

1511 Missouri Boulevard
Jefferson City, MO 65102
Telephone Number: 573-526-6998
Email: Jason.Vanderfeltz@modot.mo.gov

All questions concerning the bid document preparation can be directed to the Central Office – Design at (573) 751-2876.



REVISED

H. Alternates for Pavements JSP-96-04G

1.0 Description. This work shall consist of a pavement composed of either portland cement concrete or asphaltic concrete, constructed on a prepared subgrade in accordance with the standard specifications and in conformity with the lines, grades, thickness and typical cross sections shown on the plans or established by the engineer.

1.1 Separate pay items, descriptions and quantities are included in the itemized proposal for each of the alternates. The bidder shall only bid one of the alternates and leave the contract unit price column blank for any pay item listed for any other alternate. If the bidder leaves any value in the unit price column for another alternate other than the one they are bidding, the bid will be rejected.



REVISED

2.0 Mainline Pavements

2.0.1 A sum of ~~\$88,900~~ **97,200** will be added by the Commission to the total bid using an asphalt alternate for the (*Route 63 – Alternate B*) pavement for bid comparison purposes to factor in life cycle cost analysis of the roadway. The additional amount added will not represent any additional payment to be made to the successful bidder and is used only for determining the low bid.

2.0.2 A sum of \$334,700 will be added by the Commission to the total bid using an asphalt alternate for the (*Route AC & Ramps – Alternate D*) pavement for bid comparison purposes to factor in life cycle cost analysis of the roadway. The additional amount added will not represent any additional payment to be made to the successful bidder and is used only for determining the low bid.

2.0.3 A sum of \$137,300 will be added by the Commission to the total bid using an asphalt alternate for the (*Lenoir & Lemone Streets – Alternate F*) pavement for bid comparison purposes to factor in life cycle cost analysis of the roadway. The additional amount added will not represent any additional payment to be made to the successful bidder and is used only for determining the low bid.

2.1 The quantities shown for each alternate reflect the total square yards of pavement surface designated for alternate pavement types as computed and shown on the plans. No additional payment will be made for asphaltic concrete mix quantities to construct the required 1:1 slope along the edge of the pavement, or for tack applied between lifts of asphalt.

2.2 The grading shown on the plans was designed for the concrete pavement alternate for all alternate pavements.

2.3 Pavement alternates composed of Portland cement concrete shall have contrast pavements for intermittent markings (skips), dotted lines, and solid intersection lane lines. The pavement markings shall comply with Sec 620. No additional payment will be for the contrast pavement markings.

3.0 Method of Measurement. The quantities of concrete pavement will be measured in accordance with Sec 502.14. The quantities of asphaltic concrete pavement will be measured in accordance with Sec 403.22.

4.0 Basis of Payment. The accepted quantity of the chosen alternate and other associated items will be paid for at the unit price for each of the appropriate pay items included in the contract.

4.1 For projects with previously graded roadbeds, any additional quantities required to bring the roadway subgrade to the proper elevation will be considered completely covered by the pay item for Subgrading and Shouldering.

4.2 For projects with grading in the contract, there will be no adjustment of the earthwork quantities due to adjusting the roadway subgrade for alternate pavements.

I. Watermain Relocation

1.0 Description. Plans and specifications for the watermain relocation work are included as attachments to the contract plans and specifications. The contractor shall refer to these documents for all watermain relocation items not otherwise covered in the roadway plans and specifications.

2.0 Basis of Payment. All work associated with watermain relocation shall be considered completely covered by the various items in the bid form.

J. Sanitary Sewer Relocation

1.0 Description. Plans and specifications for the sanitary sewer relocation work are included as attachments to the contract plans and specifications. The contractor shall refer to these documents for all sanitary sewer relocation items not otherwise covered in the roadway plans and specifications.

2.0 Basis of Payment. All work associated with sanitary sewer relocation shall be considered completely covered by the various items in the bid form.

K. Storm Sewer Construction in City Right-of-Way

1.0 Description. The project includes storm sewer construction within future City of Columbia Right-of-Way. This work is shown on the roadway plans and specifications

have been included to cover this work. The use of City of Columbia "Type M Inlets" shall be as noted on the plans and meeting the design provided by the City of Columbia Standards.

2.0 Basis of Payment. All work associated with storm sewer construction shall be considered completely covered by the various items in the bid form

L. Access to Commercial and Private Entrances

1.0 Description. While working on entrances or adjacent properties, the contractor shall make every reasonable effort to minimize any interference to the properties and to complete the work diligently. Under no circumstances shall the contractor block ingress/egress to and from businesses during the normal business hours of each business unless as approved by the property owner and engineer.

2.0 Construction Requirements. On all entrances, the contractor shall keep one-half of the entrance open at all times. On narrow entrances it may be necessary for the contractor to provide temporary aggregate to provide access to the property. The contractor shall remove and dispose of the temporary aggregate following completion of the entrance. For properties with more than one entrance the contractor may construct one entire entrance at a time with the approval of the property owner and the engineer.

2.1 Access to Woodstock Mobile Home Park shall be provided through completion of the new driveway completely before removal of the existing driveway takes place.

2.2 Access to Columbia Public Schools shall not be restricted while school is in session. The contractor shall phase the work accordingly to maintain access for passenger cars, busses and delivery vehicles while school is in session.

3.0 Basis of Payment. No direct payment will be made to the contractor for any expenses incurred for compliance with this provision.

M. Coordination with Columbia Public Schools

1.0 Description. While working on or adjacent to the City of Columbia Public Schools property, the contractor shall notify the school contact in advance of work or disruptions taking place. A minimum of 10 business days of advance warning are required. The contact is:

Ron Monson
Phone Number: 573-529-6282

3.0 Basis of Payment. No direct payment will be made to the contractor for any expenses incurred for compliance with this provision.

N. Removal and Delivery of Existing Signs JSP-12-01C

1.0 Description. All Commission-owned signs removed from the project shall be disassembled, stored, transported, and disposed of as specified herein. Sign supports, structures and hardware removed from the project shall become the property of the contractor.

2.0 Disassembly and Delivery.

2.1 All Commission-owned signs, (excluding abandoned billboard signs), designated for removal in the plans, or any other signs designated by the Engineer, shall be removed from the sign supports and structures, disassembled, stored, transported, and delivered by the contractor to the recycling center for destruction.

2.2 The contractor shall coordinate and make arrangements with the recycling center for delivery of the signs. Sign panels shall be disassembled and/or cut into sizes as required by the recycling center.

2.3 The contractor shall provide the Engineer with a “Sign Delivery Certification” attesting to completion of delivery of all existing sign material from the project to the recycler. In addition, the contractor shall provide to the Engineer a final “Sign Certification of Destruction” from the recycler that documents the total pounds of scrap sign material received from the project and attests that all such material will not be re-purposed and will be destroyed in a recycling process. The contractor can locate the required certification statements from the Missouri Department of Transportation website:

<https://www.modot.org/forms-contractor-use>

2.4 Funds received from the disposal of the signs from the recycling center shall be retained by the Contractor.

3.0 Basis of Payment. All costs associated with removing, disassembling and/or cutting, storing, transporting, and disposing of signs shall be considered as completely covered by the contract unit price for Item No. 202-20.10, “Removal of Improvements”, per lump sum.

O. Video Detection System

1.0 Description. The Contractor shall furnish and install all equipment, materials, software and other miscellaneous items that are required to provide a fully functional Video Detection System for the control of bicycle and vehicular traffic signals.

2.0 Material. The video detection system shall consist of power supply, hard-wired video cameras, all necessary video and power cabling with end connectors, mounting brackets, surge protection as recommended by the manufacturer, video detection processors/extension modules capable of processing the number of camera and phase combination video sources shown on the project plans. The video detection system will be defined as the complete assembly of all required equipment and components for detection of vehicles and bicycles. Each video detection system shall consist of the video camera(s), lightning arrester for video cabling, processor unit(s), control device (mouse or keypad;), software and license for system control via a computer or USB (if applicable), communication components, and a color monitor. All camera views shall be

obtainable without requiring the disconnection and reconnection of cables within the system. The video detection systems in the list below are the only systems that are tested, fully functional, and approved for use in the Central District:

1. Rhythm Video Detection

3.0 Installation Requirements. The video detection system shall be installed per the manufacturer's recommendations. The installer shall be certified by the video detection system's manufacturer to install the system. All coaxial and ethernet cable runs (if used) shall be continuous without a splice from the cabinet to the camera. If requested by the engineer, a factory certified representative from the supplier shall be available for on-site assistance for a minimum of one day during installation.

A separate grounded 120 VAC service outlet shall be provided in the controller cabinet for supplying power to the parts of the video detection system requiring AC power. Use of the grounded service outlet located on the cabinet door will not be permitted.

3.1 Detection Zones. The detection zones shall be created by drawing the detection zones on the video image (minimum 2 zones). A graphical user interface shall be built into the video detection system and displayed on a video monitor or computer. It shall be possible to edit previously defined detector configurations to fine-tune detection zone placement. When a vehicle or bicycle is detected by crossing a detection zone, there shall be a visual change on the video display, such as a flashing symbol or a change in color or intensity to verify proper operation of the video detection system.

The video detection system shall have a method to send and receive communications from the system to a central location. It should be able to obtain a live video image and configured detection zones. The user should have the ability to change detection zones and detection settings in real time from the central location. The system shall be able to have re-addressable IP address or addresses.

The video detection system shall have the capability to detect bicycles in the roadway, either in a vehicular lane or a dedicated bicycle lane.

3.2 Performance. Overall performance of the video detection system shall be comparable to inductive loops. Using camera optics and in the absence of occlusion, the video detection system shall be able to detect vehicle presence with 98% accuracy under normal day and night conditions with only slight deterioration in performance under adverse weather conditions, including fog, snow and rain. When visibility exceeds the capabilities of the camera, the video detection system shall default to placing a call on all detectors. Supportive documentation is required to meet this specification and shall be provided to the Engineer before installation.

3.3 Vehicle Data. In addition to presence detection, the video detection system shall be capable of performing at a minimum the following calculations in real time and store all values for each camera view for any visible lane without the addition of another device:

- a) Speed
- b) Volume

- c) Lane Occupancy
- d) Vehicle Classification
- e) Other available performance measures

For speed calculations thru movements are required. Turning movement measurements are desired but not required. For volume measurements/calculations both mainline thru and all turning movements are required. All values are to be assigned to detector channels within the controller. If this requirement cannot be met all values must be able to be exported thru an excel spreadsheet. Other performance measures must be clearly defined. In all cases all performances measures must be ultimately available in an easily usable, exportable format (USB, Ethernet, or built Wi-fi Computer). The contractor shall provide documentation to the Engineer to confirm the volumes are configured and operational through the video detection system.

3.4 Monitor. The monitor shall be an LCD active matrix with a minimum 7" diagonal screen color monitor, an NTSC-M system, HDMI, VGA, and BNC video in-out connections built into the housing. The unit shall be compact and lightweight, with a stand on the cabinet shelving, have low power consumption, constructed to operate under extreme temperature conditions, and run on AC power. AC adaptor shall be included. The monitor shall be installed to automatically power on when the cabinet door is opened and automatically power off when the cabinet door is closed. A manual on/off switch shall be provided.

3.5 Video Camera and Housing. The camera shall produce a high definition (HD) color video image of vehicles during daylight hours, with an optional production of black and white images during nighttime hours. The camera shall be able to detect a minimum of 500 ft in advance of the signal. Detection shall work properly during night hours without the need of additional luminaire lighting at the signal. The video shall produce a clear image for scenes. The camera shall include an electronic shutter or auto iris control based on average scene luminance and shall be equipped with an auto iris lens, as well as sun shield that prevents sunlight from directly entering the lens. The sun shield shall include a provision for water diversion to prevent water from flowing in the camera field of view and shall be able to slide forward and back. The total weight of the enclosure, camera, lens, housing, sun shield and mounting bracket shall be less than 10 pounds.

3.6 Video Detection System Connections. The system must be able to connect through computer or mouse/video for configuring the detection zones. The equipment shall be provided with a NEMA TS2 interface as shown on the plans.

At a minimum, each lane of traffic shall be able to have its own output. A minimum of 32 detector outputs is required for the system but should be capable of expanding to 64 outputs if required based on the geometry of the intersection.

The contractor shall be responsible for any changes or additions to either an existing or new cabinet in order to provide a properly functional video detection system and monitor display. This may include, but is not limited to, additional SDLC connectors, shelf relocation and component reorganization. No direct pay for any changes or additions. All required connections will be considered part of the video detection system installation.

3.7 Warranty of Video Detection System. The video detection system including cameras shall be warranted to be free of defects in material and workmanship for a minimum of 3 years. During the warranty period, technical support from factory certified personnel or factory certified installers shall be available from the supplier. Ongoing software support by the supplier shall include updates for the processor unit and computer software and shall be provided at no cost during the warranty period. The update of the processor unit software to be NTCIP compliant shall be included.

4.0 Construction Requirements. Construction requirements shall conform to Sec 902.

5.0 Documentation and Testing. The contractor shall provide one bound copy for the signal cabinet and one pdf version of the user's manual.

6.0 Method of Measurement. Method of measurement shall conform to Sec 902.

7.0 Training. MoDOT may require training on the maintenance and operation of the detection system. Maintenance and operation personnel shall be trained on troubleshooting, maintenance and repair of cameras and all serviceable equipment. Training shall include field level troubleshooting and bench repair. This training shall be for a minimum of sixteen hours over two days. Training shall be conducted at a time and location mutually agreeable by the contractor and the signal shop traffic supervisor or as directed by MoDOT.

7.1 Basis of Payment. Measurement and payment for work covered by this specification shall include all equipment, tools, labor, programming and materials necessary and shall be paid at the contract unit price as Item No. 902-49.75, "Video Detection System", per each.

P. InSync Adaptive Traffic Control System

1.0 Description. The Contractor shall coordinate with Rhythm Engineering to order and install an InSync Adaptive Traffic Control System (ATCS) for the new signalized intersections. The system will need to match the same model/version number used in the Route AC corridor. The system will need to address both vehicles and pedestrians. As part of the bid, the Contractor will need to include the costs associated with Rhythm Engineering setting up a timing plan that coordinates with the rest of the Route AC corridor. The contractor must contact Thomas Robinson or Ashley Reynolds with Rhythm Engineering at least 6 weeks prior to turning on the new signalized intersections to allow time for Rhythm Engineering to synchronize the signals within the corridor. The contact information is listed below.

Thomas Robinson
Client Success Manager
Rhythm Engineering
913-674-9846
thomas@rhythmtraffic.com

Ashley Reynolds
Project Manager
Rhythm Engineering
Ashley.reynolds@rhythmtraffic.com

2.0 Basis of payment. No direct pay shall be made for compliance with this provision.

Q. MoDOT TS2 Cabinet Assembly (Single and Double)

1.0 Description. The cabinet assembly shall meet, as a minimum, all applicable sections of the latest revisions as found in the NEMA TS2 Standard Publication and sections 902 and 1092 of the Missouri Standard Specifications for Highway Construction Manual. Where differences occur, this specification shall govern.

2.0 Materials.

2.1 Cabinet. The cabinet shall be constructed from aluminum with a minimum thickness of 0.125 inches. The cabinet shall be designed and manufactured with materials that will allow rigid mounting, whether intended for pole, base or pedestal mounting. All mounting points where the cabinet is bolted to the foundation shall be reinforced at the factory by welding in an additional layer of material equal to the thickness of the material that the cabinet is constructed from. Triangular gussets are also required when the base plate and cabinet walls are welded together vs. continuous rolled material. A rain channel shall be incorporated into the design of the main door opening to prevent liquids from entering the enclosure. All external hardware shall be stainless steel. The cabinet exterior shall be supplied with a natural aluminum finish. Unless otherwise specified, the interior of the cabinet shall be white. Sufficient care shall be taken in handling to ensure that scratches are minimized. All surfaces shall be free from weld flash. Welds shall be smooth, neatly formed, free from cracks, blowholes and other irregularities. All sharp edges shall be ground smooth. The cabinet shall be equipped with (2) lifting brackets for installation and removal purposes.

2.2 Cabinet Doors. The cabinet shall include front and rear doors of NEMA type 3R construction with rain tight gaskets. A stiffener plate shall be welded across the inside of the main door to prevent flexing. Doors shall include a mechanism capable of holding the door open at approximately 90 and 165 degrees under windy conditions. Manual placement of the mechanism shall not be required by field personnel. Only the main door shall have ventilation louvers. A plaque designation "Traffic Control" shall be affix to each main cabinet door.

2.2.1 Double Cabinet. The doors of the double cabinet at the SB Ramp shall open in opposite directions, away from the center, as indicated by Standard Plan 902.100 (Traffic Signals - Controllers Conduit Location).

2.3 Door Alarm. The front and rear doors shall be equipped with switches wired to the traffic signal controller alarm with 1 input for logging and reporting of a door open condition.

2.4 Shelves. No less than (2) shelves shall be provided and each shall have the ability to be independently removed, relocated, and adjusted. The front edge of each shelf shall have holes predrilled at a spacing of no greater than 8 inches to accommodate tie-wrapping to secure cables/harnesses.

2.5 Mounting Rails. A minimum of one set of vertical "C" channels shall be mounted on each interior wall of the cabinet for the purpose of mounting the cabinet components. The channels shall accommodate spring mounted nuts or studs. All mounting rails shall extend to within 7 inches of the top and bottom of the cabinet.

2.6 Pull-out Drawer. The cabinet shall be equipped with a pull-out drawer/shelf assembly. A 1½ inch deep drawer shall be provided in the cabinet, mounted directly beneath the controller support shelf. The drawer shall have a hinged top cover and shall be capable of accommodating one complete set of cabinet prints and manuals. This drawer shall support 50 pounds in weight when fully extended. The drawer shall open and close smoothly. The drawer dimensions shall make maximum use of available depth offered by the controller shelf and be a minimum of 18 inches wide.

2.7 Police Door. The police door shall contain only (1) switch used for flash/auto operations. The ability to turn field indications off from the police panel will not be permitted.

2.8 Lighting. The cabinet shall include no less than (3) field replaceable LED light assemblies along the top and sides of the cabinet. The LED panels shall be controlled by a manually activated toggle switch on the tech panel.

2.9 Fans/Ventilation. The components of the system as well as the CFM requirements shall be in compliance with the MoDOT 902 & 1092 specifications.

2.10 Heater. The cabinet shall be supplied with a 200-Watt fan heater with thermostat control that is designed to protect electronics from the effects of low temperatures such as corrosion, freezing or condensation, which can damage critical components within a control enclosure. Housing shall be constructed of aluminum. Overall dimensions including mounting areas shall be approximately: 4 inch depth, 4 inch width, 5.50 inch height.

2.11 Switch Guards. All switches shall include switch guards. All switches shall be clearly labeled.

2.12 Receptacles and power strip(s). One 8-outlet IP addressable industrial surge protected power strip shall be provided. The installation of the power strip shall be included in the cost of the cabinet assembly. The main door tech panel shall contain a 15-amp duplex GFI receptacle. A separate grounded service outlet shall be provided in the controller cabinet for supplying power to the video detection monitor. The monitor shall be installed to automatically power on when the cabinet door is opened and automatically power off when the cabinet door is closed. The use of the grounded service outlet located on the cabinet door will not be permitted for this function. A manual on/off switch shall also be provided and mounted to the main door tech panel.

2.13 16-Position Back Panel Wiring. All new signal cabinets shall have a 16-position load switch back panel and conform to the following specifications. Regardless of the number of phases specified on the plans, all load switch positions shall be completely wired for use. The load switch back panel shall be configured for NEMA Configurations designated on the signal plans. All wiring of FYA should be wired in mode G. The MMU2 should be configured in mode G also. vehicle phases, overlaps (including FYA configurations), and pedestrian phases shall be wired such that it must work with an MMU2. The MMU2 must come with an ethernet port. The cabinet shall include both a DT panel and a CTB (SDLC) panel with 6 harnesses.

2.14 Intersections with Video Detection. For intersections with video detection, the cabinet shall be wired to automatically power on the video monitor when the cabinet door is open.

2.15 Load Switch. The front of the load switch shall be provided with (3) indicators to show the input signal from the controller to the load switch and (3) indicators to show the output to the field devices. The full complement of load switches shall be supplied with each cabinet to allow for maximum phase utilization for which the cabinet is designed.

2.16 SDLC. All connection points shall be protected by a BIU 15 pin surge suppressor used for the protection of any devices on Port 1 Synchronous Data Link Control (SDLC). Each cabinet shall be provided with a SDLC hub assembly and (6) SDLC cables unless otherwise noted on the order form. All mechanical connections shall be soldered.

2.17 Surge Protection. Surge protection shall be a modular plug-in type product as listed in the MoDOT Traffic APL.

2.18 AC line filter. The AC line filter shall protect equipment from malfunctions due to conducted interference coming into the equipment from line, especially line to ground (common mode) noise and transients. Overall dimensions including mounting areas shall be approximately: 4.17inch width and 3.53inch height.

2.19 Signal Buss Relay. The relay shall be a direct “drop-in” replacement for existing mercury displacement relays. The relay shall be a single pole solid state or hybrid relay. Overall dimensions including mounting areas shall be approximately: 2.5inch depth, 2inch width, 5-inch height.

2.20 Field Wiring termination. All field wires shall be attached to the back panel terminal strips via a mechanical copper lug, which can accommodate wire sizes from 14AWG - 6AWG. Lugs shall be provided for all field outputs to maximize the cabinet design.

2.21 Flash Transfer Relays. The full complement of relays shall be supplied with each cabinet to allow for maximum phase utilization for which the cabinet is designed.

2.22 Cabinet Wiring. Paper cabinet prints as well as electronic media shall be provided with each cabinet. (4) paper copies shall be provided (22" X 34") and (1) electronic copy in pdf and dgn format. All flash program wiring configurations shall be represented on the cabinet print (Red, Amber, No Flash, FYA, Ped, FYA & Ped). Wiring configuration shall be a red-red flash, unless otherwise specified by plans or Traffic Engineer.

2.23 Generator Attachment. A generator plug shall be installed on each cabinet unless otherwise noted. The access door shall be hinged, lockable and watertight. The plug shall conform to the (NEMA L5-30 configuration). An automatic transfer switch shall be provided which will switch power to/from “line”, “UPS” or “generator” when power from one of the sources has been lost or gained. The unit shall be rated for 30 amps and shall contain either a LCD display or indicator lights that validate the following: Line in, Line out, UPS in, UPS out and “from” generator. The unit shall contain a main breaker (on/off switch), a UPS bypass breaker (switch) and a Generator breaker (switch). To minimize the impact of the presence of the auto transfer switch,

the dimensions shall be no greater than 12" wide X 6" deep X 4" high. The unit shall be constructed of either aluminum or stainless steel.

3.0 Signal Turn ON.

3.1 Turn on Date. Traffic engineer shall be given a minimum of two weeks' notice for signal turn on date. Signal turn on date shall not occur on any Friday, unless previously approved by traffic engineer.

3.2 Traffic Control. Contractor shall provide a minimum of two Changeable Message Signs (CMS) in advance of new signal location for mainline traffic, unless determined that all legs of intersection require advance notice. The CMS boards shall be in place a minimum of two week prior to signal turn on date and left in place a minimum of one week after signal turn on. Messages will be provided by traffic engineer for the CMS boards.

3.3 Time. Signal shall not be turned on during morning or evening rush hour times. This varies by location and shall be preapproved by traffic engineer and the lead construction inspector.

4.0 Testing.

4.1 Each controller and cabinet assembly shall be tested as a complete entity under signal load in accordance with Missouri Standard Specifications Section 902 for a minimum of 30 days after installation. The traffic engineer is to determine if the 30 days has been accomplished with no functionality issues.

4.2 Each assembly shall be delivered with a signed document detailing the cabinet final tests performed.

The cabinet shall be assembled and tested by the controller manufacturer or authorized local distributor to ensure proper component integration and operation.

5.0 Warranty and Training.

5.1 If a Controller and/or Malfunction Management Unit are ordered with a cabinet assembly, the Controller and Malfunction Management Unit shall be warranted by the manufacturer against mechanical and electrical defects for a period of 2 years from date of shipment. The manufacturer's warranty shall be supplied in writing with each cabinet and controller. Second party extended warranties are not acceptable.

5.2 The cabinet assembly and all other components shall be warranted for a period of one year from date of shipment. Any defects shall be corrected by the manufacturer or supplier at no cost to the owner.

5.3 MoDOT may require training on the maintenance and operation of NEMA TS2 cabinet assemblies. Maintenance and operation personnel shall be trained on troubleshooting, maintenance and repair of cabinets and all serviceable equipment. Training shall include field level troubleshooting and bench repair. This training shall be for a minimum of sixteen hours over two days. Training shall be conducted at a time and location mutually agreeable by the contractor and the signal shop traffic supervisor or as directed by MoDOT.

6.0 Method of Measurement. Method of measurement shall conform to Sections 902 and 1092 of the Standard Specifications.

7.0 Basis of Payment. Payment included with cost of pay item 902-42.83 (Controller Assembly Housing, NEMA TS2 Controller) paid per each. Payment will be considered full compensation for all labor, equipment and material to complete the described work as shown on the plans. No additional payment will be made to provide conformance.

7.1 Double Cabinet. Payment for the double cabinet at the SB Ramp is included with cost of pay item 902-42.83, Controller Assembly Housing, Double, NEMA TS2 Controller paid per each. Payment will be considered full compensation for all labor, equipment, and material to complete the described work as shown on the plans. No additional payment will be made to provide conformance.

R. ITS Equipment (New and Relocated)

1.0 Description. This work shall consist of relocating existing ITS equipment and installing new ITS equipment shown on the plans.

2.0 The relocated and new installation locations are noted below.

- Prairie View Road
 - Relocate ITS equipment from the existing signal cabinet at Prairie View Road to the new double cabinet located at the Southbound (SB) Ramp.
- Southbound Ramp
 - Install relocated ITS equipment from the existing signal cabinet at Prairie View Road, into to the new double cabinet at the SB Ramp, for the Prairie View Road intersection portion of the new double cabinet.
 - Install new ITS equipment for the SB Ramp intersection portion of the new double cabinet.
- Roanridge Road
 - Relocated existing ITS equipment from the existing signal cabinet at Roanridge Road to the new cabinet.

3.0 Basis of Payment. All costs incurred for equipment, labor, materials or time required to fulfill this provision, shall be considered completely covered by the contract unit prices listed below, including all necessary fiber optic splices, pigtails, and jumpers.

- 910-99.03, "Misc. Fiber Optic Cable, 24 SM", per LF.

S. Guardrail Grading Requirements JSP-17-02B

1.0 Description. Guardrail installation and grading shall be in accordance with Missouri Standard Specifications for Highway Construction, Missouri Standard Plans for Highway Construction, and as described herein.

2.0 Construction Requirements. When guardrail and/or end treatment removal and replacement requires grading of the shoulder and/or slopes, Section 606.3.1(b), (c), and 606.3.1.1 of the Missouri Standard Specifications shall be waived and the following shall apply:

- a) Along roadways and shoulders, remove no more guardrail than can be reconstructed within seven (7) calendar days, including weekends and holidays. The seven-day counting period shall start when the first piece of safety hardware is removed.
- b) The active work zone area that encompasses the guardrail and/or end treatment reconstruction, shall not exceed one (1) mile in length. The contractor shall be required to provide and maintain approved channelizing devices adjacent to the reconstruction area.
- c) Only one-side of the roadway shall be worked on at the same time. Divided facilities shall be limited to work on one-side of each direction at the same time.
- d) When the removal of any existing safety hardware device exposes non-breakaway obstacles, the reconstruction of the safety hardware device protecting the obstacle shall be replaced within 48 hours of removal or an approved temporary crashworthy device shall be provided, installed and maintained at the contractor's expense until the non-breakaway obstacle is permanently protected. The 48-hour counting period shall start when the first piece of safety hardware is removed.
- e) Areas where guardrail and/or end treatments have been removed, but not yet replaced, shall be delineated in accordance with plans or as directed by the Engineer.

3.0 Non-Compliance. Non-compliance with this provision shall result in the immediate suspension of work in accordance with Sec 105.1.2. No work, including but not limited to additional guardrail removal and grading, shall be allowed to proceed except for work necessary to restore guardrail installation.

4.0 Basis of Payment. No direct payment will be made for compliance with this provision. Guardrail items, grading, and temporary traffic control devices will be paid for as provided in the contract.

T. Contractor Quality Control NJSP-15-42

1.0 The contractor shall perform Quality Control (QC) testing in accordance with the specifications and as specified herein. The contractor shall submit a Quality Control Plan (QC Plan) to the engineer for approval that includes all items listed in Section 2.0, prior to beginning work.

2.0 Quality Control Plan.

- (a) The name and contact information of the person in responsible charge of the QC testing.
- (b) A list of the QC technicians who will perform testing on the project, including the fields in which they are certified to perform testing.

- (c) A proposed independent third-party testing firm for dispute resolution, including all contact information.
- (d) A list of Hold Points, when specified by the engineer.
- (e) The MoDOT Standard Inspection and Testing Plan (ITP). This shall be the version that is posted at the time of bid on the MoDOT website (www.modot.org/quality).

3.0 Quality Control Testing and Reporting. Testing shall be performed per the test method and frequency specified in the ITP. All personnel who perform sampling or testing shall be certified in the MoDOT Technician Certification Program for each test that they perform.

3.1 Reporting of Test Results. All QC test reports shall be submitted as soon as practical, but no later than the day following the test. Test data shall be immediately provided to the engineer upon request at any time, including prior to the submission of the test report. No payment will be made for the work performed until acceptable QC test results have been received by the engineer and confirmed by QA test results.

3.1.1 Test results shall be reported on electronic forms provided by MoDOT. Forms and Contractor Reporting Excel2Oracle Reports (CRE2O) can be found on the MoDOT website. All required forms, reports and material certifications shall be uploaded to a Microsoft SharePoint® site provided by MoDOT, and organized in the file structure established by MoDOT.

3.2 Non-Conformance Reporting. A Non-Conformance Report (NCR) shall be submitted by the contractor when the contractor proposes to incorporate material into the work that does not meet the testing requirements or for any work that does not comply with the contract terms or specifications.

3.2.1 Non-Conformance Reporting shall be submitted electronically on the Non-Conformance Report form provided on the MoDOT Website. The NCR shall be uploaded to the MoDOT SharePoint® site and an email notification sent to the engineer.

3.2.2 The contractor shall propose a resolution to the non-conforming material or work. Acceptance of a resolution by the engineer is required before closure of the non-conformance report.

4.0 Work Planning and Scheduling.

4.1 Two-week Schedule. Each week, the contractor shall submit to the engineer a schedule that outlines the planned project activities for the following two-week period. The two-week schedule shall detail all work and traffic control events planned for that period and any Hold Points specified by the engineer.

4.2 Weekly Meeting. When work is active, the contractor shall hold a weekly project meeting with the engineer to review the planned activities for the following week and to resolve any outstanding issues. Attendees shall include the engineer, the contractor superintendent or project manager and any foreman leading major activities. This meeting may be waived when, in the opinion of the engineer, a meeting is not necessary. Attendees may join the meeting in person, by phone or video conference.

4.3 Pre-Activity Meeting. A pre-activity meeting is required in advance of the start of each new activity, except when waived by the engineer. The purpose of this meeting is to review construction details of the new activity. At a minimum, the discussion topics shall include: safety precautions, QC testing, traffic impacts, and any required Hold Points. Attendees shall include the engineer, the contractor superintendent and the foreman who will be leading the new activity. Pre-activity meetings may be held in conjunction with the weekly project meeting.

4.4 Hold Points. Hold Points are events that require approval by the engineer prior to continuation of work. Hold Points occur at definable stages of work when, in the opinion of the engineer, a review of the preceding work is necessary before continuation to the next stage.

4.4.1 A list of typical Hold Point events is available on the MoDOT website. Use of the Hold Point process will only be required for the project-specific list of Hold Points, if any, that the engineer submits to the contractor in advance of the work. The engineer may make changes to the Hold Point list at any time.

4.4.2 Prior to all Hold Point inspections, the contractor shall verify the work has been completed in accordance with the contract and specifications. If the engineer identifies any corrective actions needed during a Hold Point inspection, the corrections shall be completed prior to continuing work. The engineer may require a new Hold Point to be scheduled if the corrections require a follow-up inspection. Re-scheduling of Hold Points require a minimum 24-hour advance notification from the contractor unless otherwise allowed by the engineer.

5.0 Quality Assurance Testing and Inspection. MoDOT will perform quality assurance testing and inspection of the work, except as specified herein. The contractor shall utilize the inspection checklists provided in the ITP as a guide to minimize findings by MoDOT inspection staff. Submittal of completed checklists is not required, except as specified in 5.1.

5.1 Inspection and testing required in the production of concrete for the project shall be the responsibility of the contractor. Submittal of the 501 Concrete Plant Checklist is required.

6.0 Basis of Payment. No direct payment will be made for compliance with this provision.

U. Winter Months Requirements JSP-15-07A

1.0 Description. This project contains work which spans the winter months.

2.0 Work to be Completed. When the contractor ceases operations for the winter months, any paving operation performed by the contractor shall not result in a lane height differential between adjacent lanes.

3.0 Maintenance of Pavement Marking. Prior to ceasing operations for winter months, a permanent or temporary stripe shall be provided on any completed length to the point that the original stripe was obliterated or obscured by the contractor's operation. Temporary striped areas shall be re-striped with the remaining route upon performance of the final striping.

4.0 Winter Related Maintenance Activities. The contractor shall have the project in a condition as not to interfere with the plowing of snow. The contractor shall also provide a taper at the end of his paving that will not be damaged by the plowing of snow.

5.0 Basis of Payment. There will be no direct pay for compliance with this provision.

V. Settlement Gauge

1.0 Description. This project contains work which requires the installation of settlement gauges.

2.0 Work to be Completed. Settlement gauges shall be installed every 100 feet along the centerline of Lenoir Street from Station 401+00 through Station 408+50. The gauges shall be read every week after fill operations start and shall continue until the settlement is complete (estimated between 4-12 weeks). The readings shall be reported to the Engineer. Settlement will be considered complete when less than 0.125 inches of settlement is recorded in each of three consecutive 1-week periods.

3.0 Basis of Payment. Payment for the above described work, including all material, incidental work necessary to complete this item, will be considered completely covered by the contract unit price for Item Number 204-20.10, Settlement Gauge, per each.

W. Existing Concrete Traffic Barriers at Commuter Parking Lot

1.0 Description. All temporary concrete traffic barrier present at the commuter parking lot located in the southeast corner of the Route AC and US 63 interchange will be removed by MoDOT maintenance prior to construction beginning. No removal of this barrier will be included in the project scope of work.

X. Tree Clearing Restriction

1.0 Description. The project is within the known range of several federally protected bat species. These bats are known to roost in trees with suitable habitat characteristics during summer months.

1.1 MoDOT has determined that suitable trees for one or more of these bat species exist within the project area.

1.2 To avoid negative impacts to these bat species, removal of any trees/limbs greater than three (3) inches in diameter shall only occur between October 16 and March 31.

2.0 Basis of Payment. No direct pay shall be provided for any labor, equipment, time, or materials necessary to complete this work.

Y. Traffic Signal and ITS Equipment Removal

1.0 Description. This work shall consist of removing signal, lighting, and ITS equipment as indicated in the plans or any items not used in the final configuration. Equipment removed from the project area shall be returned to the owner (City of Columbia or MoDOT). The contractor shall notify the Agency's representative 24 hours prior to any deliveries.

The contractor shall exercise reasonable care in the handling of the equipment during removal and transportation. Should any of the equipment be damaged by the contractor's negligence, it shall be replaced at the contractor's expense. The contractor shall dispose of any other equipment. Delivery shall be within 2 working days of removal. All items returned shall be tagged with the date removed, project number and location/intersection.

2.0 Basis of Payment. Payment for removal of the existing equipment, including salvage and/or delivery to appropriate Agency facility shall be considered completely covered by the contract unit price for Pay Item No. 202-20.10, "Removal of Improvements", per lump sum.

Z. Drill Pullbox & ATG

1.0 Description. This work shall consist of drilling opening(s) in the existing pullboxes as shown on the plans. The number of openings to be drilled are indicated on the signal plan sheets. The size of opening shall be drilled only to accommodate the size of conduit; remainder of opening to be filled with waterproof material prior to backfilling the area. Upon completion of the conduit work, the pullbox shall be adjusted to the finished grade.

2.0 Basis of payment. All costs for materials, equipment, labor, and installation shall be included in the cost for Pay Item No. 901-99.02, "Drill Pullbox & ATG", and be paid at the contract unit price, per each.

AA. APS System (Intersection)

1.0 Description. This work shall consist of furnishing and installing an APS detection system. Equipment for this item will include the pushbutton with integrated audible feature, speaker wire, power adaptors, sign mounting backplate, and one central control unit (per intersection). If the audible signals are integrated into the pushbutton assembly, no payment for standard pushbuttons will be allowed at those locations. Payment for signing will be per square foot under separate pay as shown on the signal plans.

2.0 Materials.

Walk Indications. Accessible pedestrian signals shall have both audible and vibrotactile walk indications.

Vibrotactile. Vibrotactile walk indications shall be provided by a tactile arrow on the pushbutton that vibrates during the walk interval. Tactile arrow shall be located on the pushbutton that vibrates during the walk interval. Tactile arrow shall be located on the pushbutton, have high visual contrast (light on dark or dark on light), and shall be aligned parallel to the direction of travel on the associated crosswalk.

Audible. Accessible pedestrian signals shall have an audible walk indication during the walk interval only. The audible walk indication shall be audible from the beginning of the associated crosswalk.

Pushbutton signage. In addition to standard pedestrian sign requirements, all pushbuttons for the locations mentioned in 1.0 shall have additional signage to indicate crosswalk direction by use of a tactile arrow and the name of the street containing the crosswalk served by the audible pedestrian signal. The sign shall be located immediately above the push button mechanism and parallel to the crosswalk controlled by the button. The street name shall be the name of the street or reasonable abbreviation whose crosswalk is controlled by the push button. Signage shall comply with ADA Accessibility Guidelines (ADAAG) 703.2 specifications for Braille and raised print.

Arrow. Signs shall include a tactile arrow aligned parallel to the crosswalk direction. The arrow shall be raised 0.8 mm (.03 inch) minimum and shall be 4 mm (1.5 in) minimum in length. The arrowhead shall be open at 45 degrees to the shaft and shall be 33 percent of the length of the shaft. Stroke width shall be 10 percent minimum and 15 percent maximum of arrow length. The arrow shall contrast with the background.

Street Name. Accessible pedestrian signals (APS) shall include street name information aligned parallel to the crosswalk direction and shall comply with Revised Draft Guidelines for Accessible Public Rights-of-Way R409.3 or shall provide street name information in audible format.

All materials and work shall conform to Section 902 of the Missouri Standard Specifications for Highway Construction, current edition, and the MoDOT Standard Specifications.

3.0 Construction Requirements.

Audible Locator Tone. Locator tone that tells the pedestrian that the intersection is equipped with APS and where it is. Pushbutton locator tones shall have a duration of 0.15 seconds or less, and shall repeat at 1-second intervals. Pushbutton locator tones shall be intensity responsive to ambient sound, and be audible 6 to 12 feet from the pushbutton, or to the building line. The locator tone shall operate during the DON'T WALK and flashing DON'T WALK intervals only and shall be deactivated when the pedestrian signal is not operative.

Verbal Wait Message. Acknowledge tone that tells the pedestrian that they have placed a call and informational message that tells the pedestrian to "Wait to cross" street name at intersecting street name.

Verbal Walk Message. The verbal messages shall provide a clear message that the walk interval is in effect, as well as to which crossing it applies. If available, the audio tone feature will not be used. The verbal message that is provided at regular intervals throughout the timing of the walk interval shall be the term "walk sign," which will be followed by the name of the street to be crossed.

Volume. Automatic volume adjustment in response to ambient traffic sound level will be provided up to a maximum volume of 100 dB. The units shall be responsive to ambient noise level changes up to no more than 5 dB louder than ambient sound. Tone or voice volume measured at 36 inches

from the unit, shall be 2dB minimum and 5dB maximum above ambient noise level. At installation, signal system is to be adjusted to be audible at no more than 5 to 12 feet from the system.

Documentation and Support. The contractor shall provide to the Engineer: two copies of the operation and maintenance manuals for each station, and two copies of USB data card that contains files for the manufacturer's audible message for complete operation of all APS signals at all stations.

4.0 Basis of payment. All costs for materials, equipment, labor, and installation shall be included in the cost for Pay Item No. 902-99.02, "APS System (Intersection)", and be paid at the contract unit price, per each.

BB. Network Switch

1.0 Description. This work shall consist of furnishing and installing field hardened managed network switches and related hardware in existing and proposed signal and device cabinets. Cisco IE-1000-8P2S-LM for 2 or less SFP connections and Cisco IE-4000-4GC4GP4G-E for 3 or more SPF connections shall be used for compatibility with MoDOT's existing ITS network. The switches shall include small form-factor pluggable transceivers, rated for rugged conditions, to accommodate needed fiber pairs with rated speed no less than 1 GB unless otherwise indicated. The contractor shall also provide and install manufacturer provided Cisco PWR-IE65W-PC-AC power supplies. All devices are to be provided to MoDOT staff for programming prior to installation. The contractor shall then install the programmed device per the manufacturer's specifications.

Jumpers between the patch panel and switch must have LC and ST connectors. All equipment must also be installed to the satisfaction of the MoDOT Inspector or and MoDOT Traffic personnel. All work necessary to produce a fully functional product will be considered incidental to this pay item.

2.0 Basis of payment. All costs for materials, equipment, labor, and installation shall be included in the cost for Pay Item No. 902-99.02, "Network Switch" and be paid at the contract unit price, per each.

CC. Fiber Optic Cable

1.0 Description. This work shall consist of installing, splicing, and terminating fiber optic cables. The fiber optic cable may be new or existing cable relocated as shown on the plans. Fiber optic cable relocation requires existing cable to be removed from an existing conduit system and installed in a new conduit system. Relocated cable must be carefully removed from the existing conduit system without being damaged. No direct pay shall be paid for relocating the existing fiber optic cable into new ITS or signal cabinet unless the Relocate Fiber Optic Cable pay item is included the plans.

2.0 Materials. Some of the below noted materials may not be applicable on this project. See the plans and below quantities for applicable materials.

2.1 Cable. Fiber optic cable shall be of loose tube construction. Provide certification by an independent testing laboratory that the cable meets all requirements of Rural Utilities Service

Bulletin 1753F-601a *Minimum Performance Specification for Fiber Optic Cables* (https://www.rd.usda.gov/files/UTP_Bulletins_1753F-601a.pdf). The cable shall be gel free, all dielectric, and have 12 fibers per tube. The cable sheath shall have length markings in feet, and shall indicate that the unit of measure is feet. The cable shall have single mode fibers whose attenuation does not exceed 0.35 dB/km and 0.25 dB/km for 1310 nm and 1550 nm signals, respectively. The optical fibers used in the cable shall meet or exceed the International Telecommunication Union ITU-T G.652.D requirements.

2.2 Splice Tray. Splice trays shall be 11.7" long, 3.9" wide, and 0.2" tall. They shall be aluminum with clear plastic covers, designed for outdoor use. Each shall accommodate 24 fusion splices. The trays shall have a black powder coat finish. The trays shall have both perforations for cable ties and crimpable metal tabs for buffer tube strain relief.

2.3 Connector. Connectors shall be the LC type with ceramic ferrules, unless a different connector is required to mate with the equipment or an existing panel. They shall be suitable for use in traffic cabinets and shall be designed for single mode fibers.

2.4 Pigtail. Pigtails shall be factory-made, buffered, and strengthened with aramid yarn to reduce the possibility that accidental mishandling will damage the fiber or connection. Pigtails shall be yellow. Each must contain one fiber. Length shall suffice to provide two feet of slack after installation.

2.5 Jumper. Jumpers shall meet the requirements for pigtails, but shall have a connector on each end. Length shall suffice to provide approximately five feet of slack after installation.

2.6 Interconnect Center. An interconnect center is a splice enclosure that has a patch panel built into one of its walls. Within the interconnect center, fibers in cables are spliced to pigtails and the pigtails are plugged into the patch panel from the inside. This allows jumper cables (not part of the interconnect center) to plug into the patch panel from the outside, connecting the fibers to equipment in the cabinet or to other fibers on the patch panel. Within an interconnect center, some fibers may be spliced to the corresponding fiber in a mating cable, rather than to a pigtail. Still other fibers may be coiled, un-terminated.

The enclosure shall be made of powder-coated metal. It shall have provisions for cable strain relief and for connector labeling. The enclosure's patch panel shall have at least 24 positions. Provide enough splice trays for all splices made in the interconnect center. Provide patch panel modules that are compatible with the connectors specified in section 2.3 of this provision.

2.6.1 Wall-Mounted Interconnect Center. The enclosure shall be designed for wall or panel mounting and occupy no more than 350 square inches of wall space. It shall have a gasketed, hinged door. It shall hold at least six splice trays. These enclosures are typically used in signal cabinets.

2.6.2 Rack-Mounted Interconnect Center. The enclosure shall have brackets and all other hardware required for rack mounting in an EIA standard 19-in. equipment rack. It shall take up no more than three rack units (1¾ inch each) in the cabinet. It shall have front and rear doors. It shall hold at least four splice trays. These enclosures are typically used in ITS device cabinets.

2.7 Rack-Mounted Splice Enclosure. The enclosure shall have brackets and all other hardware required for rack mounting in an EIA standard 19-in. equipment rack. However, alternate forms of mounting will be permitted if more practical at a particular location. The enclosure shall take up no more than five rack units (1¾ inch each) in the cabinet. It shall be made of powder-coated aluminum. These enclosures are typically used in network node cabinets.

2.7.1 The enclosure shall have provisions for cable strain-relief. It shall have hinged front and rear doors.

2.7.2 The enclosure shall include splice trays as specified in section 2.2 of this provision. The contractor shall provide enough splice trays for all the splices made in the enclosure. The enclosure shall include a splice tray holder with capacity for 22 trays. It shall be mounted on a sliding shelf inside the enclosure so that individual trays can be removed from the enclosure without disturbing the other trays or removing the enclosure itself from the cabinet.

2.8 Rack-Mounted Patch Panel Enclosure. The enclosure shall have brackets and all other hardware required for rack mounting in an EIA standard 19-in. equipment rack. However, alternate forms of mounting will be permitted if more practical at a particular location. The enclosure shall take up no more than five rack units (1¾ inch each) in the cabinet. It shall be made of powder-coated aluminum. Provide patch panel modules that are compatible with the connectors specified in section 2.3 of this provision, as needed. These enclosures are typically used in network node cabinets.

2.9 Underground Splice Closure. Closures for underground fiber splices include all materials necessary to make, organize, and protect the splices.

2.9.1 The closure shall supply environmental protection of cable and splices from water and dirt. It shall be designed for splicing fiber-optic cables underground in pull boxes and to be submersed in water.

2.9.2 Provide certification by an independent testing laboratory that the closure meets all requirements of Telcordia GR-771 for environmentally sealed closures for buried installation.

2.9.2 The closure shall be re-enterable without any special tools.

2.9.3 The closure shall be able to accommodate at least four fiber optic cables.

2.9.4 The closure shall accommodate 144 single mode fiber splices.

2.9.5 It shall be possible to remove any splice tray without disturbing the others.

2.9.6 Splice trays in the closure need not be of the type specified in 2.2, above.

2.9.7 Designed for butt splicing.

2.9.8 No encapsulated materials shall be allowed.

2.10 Tracer Wire. A jacketed #14 AWG XHHW-2 standard blue tracer wire (also known as the locator wire) shall be provided in the conduit within the project limits unless it exists.

3.0 Construction Requirements.

3.1 Pre-Installation Cable Inspection and Testing. Prior to installation, confirm that the cable is in good condition and complies with the specifications. The contractor shall perform fiber testing (see below requirements) of new fiber on the reel and existing fiber before it is removed. Notify the SLITS Group about any fiber anomalies and submit fiber testing reports to the SLITS Group for review and approval. Any defects found after installation will be deemed the fault of the contractor.

3.2 Cable Installation.

3.2.1 The ITS and network devices located within the project limits are a crucial part of the traffic operation system for this area. It is imperative that the network downtime be kept to a minimum when adding, removing, or modifying any existing ITS and network devices. This may require the contractor to perform work that will affect existing network devices during nighttime and/or weekend hours, at the discretion of the Engineer. Allowable timeframes for this work will be subject to the need for ITS devices in the area to be used to manage other traffic impacting work zones.

3.2.2 In case of fiber optic cable replacement, all new fiber cable must be installed, spliced, terminated and go online before removing the old cable.

3.2.3 Remove existing cable to be relocated and install cable such that the optical and mechanical characteristics of the fiber are not degraded. Do not violate the minimum bend radius or the maximum tension, both during and after installation.

3.2.4 Before any cable installation is performed, provide the engineer with four copies or an electronic copy, as required by the engineer, of the cable manufacturer's recommended maximum pulling tensions for each cable size. These pulling tensions shall be specified for pulling from the cable's outer jacket. Also, provide a list of the minimum allowable cable bending radius and the cable manufacturer's approved pulling lubricants. Only those lubricants approved by the cable manufacturer will be permitted.

3.2.5 If the cable is pulled by mechanical means, use a clutch device to ensure the allowable pulling tension is not exceeded. Also, attach a strain gauge to the pulling line at the cable exit location, and at a sufficient distance from the take-up device, such that the strain gauge can be read throughout the entire cable pulling operation.

3.2.6 Do not leave the let-off reel unattended during a pull, in order to minimize the chance of applying excess force, center pull, or back feeding.

3.2.7 Use an approved lubricant, in the amount recommended by the cable manufacturer, to facilitate pulling the cable. After the cable has been installed, wipe the exposed cable in a pull box, junction box, or cabinet clean of cable lubricant with a cloth before leaving the pull box, junction box, or cabinet.

3.2.8 When installing new fiber optic cable store 30 feet of slack fiber in every intermediate pull box, unless otherwise noted on plans. Additional slack storage, as indicated on the plans, is required in designated pull boxes. At cabinet locations, where cable runs from the pull box directly to an equipment cabinet, store 60 feet of slack fiber optic cable in the pull box, unless otherwise noted on plans. Additionally, treat the cable returning from the cabinet to the pull box as a separate cable, and store 60 feet of slack for these links, unless otherwise noted on plans. Store slack cable neatly on the walls of the pull box using racking hardware acceptable to the engineer. If the length of fiber optic cable being relocated does not allow for fully meeting these slack requirements, maximize fiber slack at cabinets before providing slack in pull boxes.

3.2.9 While pulling and until splicing seal the fiber optic cable ends to prevent the escape of filling compound and the entry of water.

3.3 Splicing. Splice all optical fibers, including spares, to provide continuous runs. Splices shall be allowed only in equipment cabinets except where shown on the plans.

3.3.1 Make all splices using a fusion splicer that automatically positions the fibers using the Light Injection and Detection (LID) system or the High-resolution Direct Core Mounting (HDCM) system. Provide all equipment and consumable supplies.

3.3.2 Secure each spliced fiber in a protective groove. Completely re-coat bare fibers with a protective room temperature vulcanizing (RTV) coating, gel or similar substance, prior to insertion in the groove, so as to protect the fiber from scoring, dirt, or microbending.

3.3.3 Prior to splicing to a fiber installed by others, measure and record the optical loss over that fiber. See section 4.0 of this provision.

3.3.4 Use a different splice tray for each buffer tube color. If an enclosure contains multiple buffer tubes of the same color, but none of the fibers in one of the tubes are spliced to fibers in other tubes of the same color, use a separate splice tray for that tube.

3.4 Termination. Terminate fibers by splicing them to factory-made pigtails. Cap all connectors that are not connected to a mating connector.

3.5 Tracer Wire. The contractor shall install a jacketed #14 AWG XHHW-2 standard blue tracer wire (also known as the locator wire) in conduit with new or replaced fiber optic cable(s). In the pull box nearest to the ITS or signal cabinet connect the tracer wire to a ground rod with a ground rod clamp and provide five feet of slack, as shown on the ITS pull box detail. In other fiber pull boxes provide five feet of slack, but a ground rod shall not be installed. Secure the tracer wire slack in individual coils to the inside wall of each pull box. If the tracer wire already exists, the contractor shall ensure it is connected to the ground rod properly in the pull box nearest to the ITS or signal cabinet and demonstrate a locate signal will transmit along the tracer wire. When fiber optic cable is relocated, existing tracer wire may be reused.

3.6 Fiber Management. Fiber in splice trays along with pigtails and buffer tubes in the interconnect center or splice closures shall be neatly looped and restrained following telecom industry standard fiber and cable management practice and enclosure manufacturer's recommendations. Shown below are examples of acceptable and unacceptable fiber and cable management. Work will not be accepted unless good fiber management practices are followed.



Acceptable



Unacceptable

3.7 Required Fiber Splicing, Installation and Testing Experience. Submit resumes, certificates and references detailing fiber installation, splicing and testing for on-site personnel to the engineer for approval. Subcontractors used on the project are considered part of the contractor's team and are also required to submit resumes, certificates and references. Submit to the engineer references including client project manager, phone number and project experience. Demonstrate successful completion of fiber optic cable installation and splice training courses by providing certificates of completion. Failure to comply may result in a declaration of noncompliance.

In addition, ensure a number of the contractor's team approved by the engineer that has at least two years of experience in the installation, splicing and testing of the fiber optic cable is on site at all times during the fiber optic cable installation and fiber optic splicing work until successful completion of the work. Receive approval from the engineer for any substitution of this individual. The engineer may stop the work activity on this project as a result of the absence of these on-site personnel from the project and may continue to charge time to the contractor and will not grant a time extension.

3.8 Existing Fiber Replacement. When plans show new fiber being installed to replace existing fiber, the existing fiber should remain in service until the new fiber is installed and is ready for splicing to minimize network downtime.

3.9 Fiber Relocation. The fiber optic cable is a crucial part of the traffic operation system. It is imperative that the downtime be kept to a minimum when relocating fiber optic cable. When

existing fiber is disconnected for relocation, the relocation and fiber splicing of the relocated fiber shall progress continuously to minimized downtime.

4.0 Acceptance Testing.

4.1 General. Test the fiber after installation, including all splicing and termination, is complete. Note, however, that this test procedure involves measuring the loss of fiber installed by others before splicing to it. For each fiber optic link, including spare fibers, determine whether the optical loss is within the limits permitted by these specifications. A link is a continuous segment of fiber between one connector (or unterminated end) and another connector (or unterminated end). When testing links that do not have connectors on both ends, use a mechanical splice to attach a pigtail to the unterminated fiber for the duration of the test.

4.2 Test Procedure. For each fiber link, follow this procedure:

- a. If the link includes fiber installed by others, use an optical loss test set to measure and record the optical loss over that portion of the link before it is spliced to new fiber.
- b. Calculate the maximum allowable loss for the completed link, both at 1310 nm and at 1550 nm. Use the following formula:

$$\begin{aligned} \text{Maximum link loss} = & \text{Measured loss over portion installed by others} \\ & + (\text{Fiber length in km}) \times (0.35 \text{ for } 1310 \text{ nm and } 0.25 \text{ for } 1550 \text{ nm}) \\ & + (\text{Number of fusion splices}) \times (0.05) \\ & + (\text{Number of mechanical splices [for temp. connection]}) \times (0.3) \\ & + (\text{Number of connections}) \times (0.5) \end{aligned}$$

Provide this calculation to the engineer along with the test results.

- c. Calibrate an optical loss test set and provide evidence satisfactory to the engineer that the set produces accurate results at both wavelengths. This can be a demonstration that the set correctly measures the loss of a test fiber whose loss is known.
- d. Use the test set to measure the loss of the link under test. Record the result at both 1310 nm and 1550 nm. Arrange for the engineer or his representative to witness these tests.
- e. If the measured loss exceeds the calculated maximum, use an optical time domain reflectometer and other test equipment to troubleshoot the link. Take whatever corrective action is required, including cable replacement, to achieve a loss less than the calculated maximum.

4.3 Test Result Documentation. Prepare a report showing all of the links tested in this project. For the portions installed in this project, show the equipment cabinets, splices, and pigtails. On each line representing a link, show the maximum allowable loss and the actual loss. The actual loss shall be the one measured after all corrective actions have been taken. Submit an electronic copy of the report to the engineer, along with the calculations for the

maximum allowable loss. Submit the report including calculations in an electronic format acceptable to the engineer.

5.0 Documentation. Provide the engineer mark-ups of the plans, neat and legible, illustrating as-built versions of the splice and connection diagrams that are contained in the plans.

6.0 Certifications. New fiber optic cable shall be factory certified to meet the requirements in this specification. In addition, the manufacturer shall certify that the fiber optic cable has a life expectancy of 20 years.

7.0 Basis of Payment. Measurement and payment for items covered by this specification include the new, removed or relocated fiber optic cable, fusion splices, pigtails, jumpers, acceptance testing, in addition to all materials, labor and equipment necessary for a fully operational system. Payment will be made as follows:

Item No.	Type	Description
902-99.01	LS	Remove Existing Fiber Optic Cable
902-99.02 {2}	Each	Fiber Enclosure
902-99.02 {3}	Each	In-Ground Splice Enclosure
902-99.03	Linear Foot	Fiber Optic Cable, 24 Strand, Single Mode

DD. Relocate School Speed Sign Unit

1.0 Description. The contractor shall relocate the existing dynamic school speed sign units to the new locations as shown on the plans. The units shall be installed on a new MoDOT Type C post foundation, with the existing foundation removed 12” below grade. The relocated equipment shall be tested and demonstrated to the MoDOT inspector to ensure full functionality prior to acceptance. All work shall conform to Section 900 of the Missouri Standard Specifications for Highway Construction, current edition. This item shall include removal of the existing foundation, relocation of the unit, new foundation, and all miscellaneous hardware and equipment necessary for a fully functional unit.

2.0 Basis of Payment. This work shall be paid for at the contract unit price per each for item 903-99.02 “Relocate Existing Sign”, and shall include the cost of equipment, labor, materials, and time required to complete said work.

EE. Relocate Existing Sign

1.0 Description. This work shall consist of relocating existing sign panels, as shown in the roadway plans. The existing sign panel shall be removed and stored within the project limits until such time as it shall be reinstalled. Any damage to the sign panel shall be repaired to the satisfaction of the engineer and/or City or replaced in kind at the cost of the Contractor. The reinstallation shall comply with section 903 of the Missouri Standard Specification Book for Highway Construction, 2023 Edition. The relocated sign is to be installed on a new post as listed

on the plan sheets (breakaway) per pay items. Existing sign post is to be removed as well as any associated foundation.

SIGN NUMBER	DESCRIPTION	
14	"LEWIS AND CLARK TRAIL", ARROW	REL
15	R6-1L, R6-1R, AC ROUTE SHIELD, ARROW	REL
24	"GRINDSTONE WATERSHED" - ON UPRIGHT (NO POST)	REL W/ #6
26	R3-17, R3-17Bp	REL
30	"GRINDSTONE WATERSHED" - ON UPRIGHT (NO POST)	REL W/ #29
44	DYNAMIC SPEED LIMIT SIGN	REL
49	"CLEAR CREEK WATERSHED"	REL
62	DYNAMIC SPEED LIMIT SIGN	REL
68	S5-3 'END SCHOOL ZONE"	REL
87	GUIDE SIGN "COLUMBIA - ARROW"	REL

REFER TO PLANS FOR SIGN AND POST SIZES.

2.0 Basis of Payment. This work shall be paid for at the contract unit price for Item Number 903-99.02, "RELOCATE EXISTING SIGN", per EACH.

FF. Material Specification for Embankment in Place

1.0 Description. This project has unsuitable soils that will be excavated and replaced with acceptable materials. The acceptable material shall meet the requirements in this specification as approved by the engineer or his representative.

2.0 Material. Embankment in place material for the construction of the roadway and embankments should consist of clayey sands (SC), Clayey gravels (CG), or inorganic, low plasticity lean clays (CL), with various amounts of sand and gravel. Low plasticity lean clays and clay portions of clayey gravels should have a liquid limit of less than 45 and a plasticity index between 10 and 25 to be used in construction of embankments.

3.0 Construction. Roadway and drainage excavation, embankment and compaction shall be in accordance of Section 203 of Missouri Standard Specifications for Highway Construction.

4.0 Basic of Payment. Payment will be made at the contract unit price for each of the pay items included in the contract.



REVISED

GG. RIGHT-OF-WAY CLEARANCE – DELAYED POSSESSION



REVISED

1.0 Description. The right of way for this project has been acquired except for

-  **REVISED** ~~Parcel 2 (Allstate Properties Columbia, LLC) – RW, PE, and TCE~~
-  **REVISED** ~~Parcel 3 (Columbia School District) – PE and TCE~~
-  **REVISED** ~~Parcel 4 (Columbia School District) – RW, PE, and TCE~~
- Parcel 5 (Woodstock MH, L.L.C.) – PE and TCE

1.1 The contractor shall inform itself of the location of these tracts. No encroachment, storage of equipment and materials or construction on these tracts shall be permitted until notification by the engineer is given that these tracts have been acquired.

1.2 The contractor shall schedule its work utilizing the available right of way until this tract is cleared for construction, which is estimated to be November 30, 2024. However, this date expressly is not a warranty by or contractually binding on the Commission as the date the seven Tracts will be clear for construction. No encroachment, storage of equipment and materials or construction on these tracts shall be permitted until the contractor is notified by the engineer that these tracts have been acquired.

1.3 The contractor shall have no claim for damage for delay, disruption, interference or otherwise as a result of the unavailability of **Parcels listed above in Item 1.0.** The contractor may be given an extension of time upon proof of actual delay caused by the unavailability of these tracts as approved by the engineer.

HH. 75ft Span Tubular Truss, 2 Tube

1.0 Description. This work shall consist of installing 75ft span tubular truss, 2 tube, as shown in the roadway plans. The installation shall comply with section 903 of the Missouri Standard Specification Book for Highway Construction, 2023 Edition. The 75ft span tubular truss, 2 tube is to be installed on a new concrete footings per pay item 903-10.20 with quantities as shown on the cross sections.

2.0 Basic of Payment. This work shall be paid for at the contract unit price for Item Number 903-99.02D, “75FT SPAN TUBULAR TRUSS, 2 TUBE”, per EACH.

II. 4 In Square Steel Sign Post

1.0 Description. The 4-inch square steel post and breakaway system shall be MASH 2016 approved and on [MoDOT's Approved Products List](#).

2.0 Material. All material shall be in accordance with Division 1000 and as further specified per this provision. The 4-inch square steel posts are to be multi-directional. The posts shall be 4 inches square, 8 gauge, and galvanized. The 4-inch square steel posts shall be hot-dip galvanized after fabrication. Galvanizing of sign posts, bolts, nuts, washers, other appurtenances, and repair of galvanizing shall be in accordance with Sec. 1081.

3.0 Construction Requirements. Concrete footing construction shall be in accordance with Sec. 903.3.1.2. Post installation shall follow the manufacturer's recommendations.

Job No.: J5P3433

Route: AC

County: Boone

4.0 Method of Measurement. Measurement of 4-inch square steel posts will be made to the nearest linear foot for each post, as shown on the plans. Measurement for 4-inch square steel post base will be made per each.

5.0 Basic of Payment. Payment will be made for the cost of equipment, labor, materials, posts, c-clamps, backing bars, post to slip base connection, hardware, and ground anchor assembly at the unit contract price for item number 9039903A, "4 IN. SQUARE PIPE POST", per LINEAR FOOT.

**SPECIFICATIONS FOR WATER MAIN CONSTRUCTION
CITY OF COLUMBIA
WATER & LIGHT**

TABLE OF CONTENTS


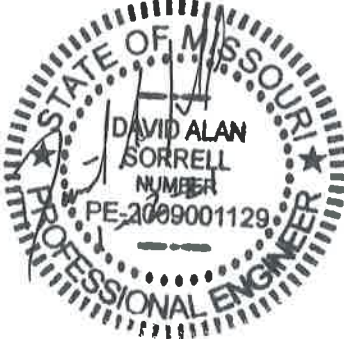
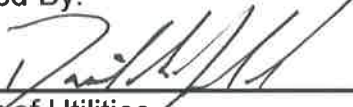
- A. AUTHORITY**
- B. SPECIAL CONDITIONS**
- C. INTENT AND DEFINITIONS**
- D. RESPONSIBILITIES OF CONTRACTOR AND OWNER**
- E. MATERIALS**
- F. MATERIAL HANDLING**
- G. LOCATION**
- H. EXCAVATION AND PREPARATION OF THE TRENCH**
- I. PIPE LAYING**
- J. ANCHORAGE**
- K. BACKFILLING**
- L. TESTING**
- M. CLEANING AND DISINFECTION**
- N. SEEDING, SODDING, AND SITE RESTORATION**
- O. INSPECTION**
- P. MEASUREMENT AND PAYMENT**
- Q. DETAIL DRAWINGS**

Specifications for Water Main Construction

SECTION A
January 8, 2021

A) AUTHORITY:

These specifications are drawn and approved by the Director of Utilities for the City of Columbia, Missouri, and shall be enforced, and no part thereof altered without approval of said Director.

	
<p>City of Columbia 701 East Broadway Columbia, Boone, Missouri Phone: 573-875-2555</p>	<p>David Alan Sorrell Professional Engineer MO # PE-2009001129</p>
<p>Approved By:  Director of Utilities</p>	

B) SPECIAL CONDITIONS:

- 1) These specifications shall apply to water mains extended under the provisions of the "Application to Extend Water Mains" (Developer extensions) within the City of Columbia's water service territory or projects bid through the Purchasing Division of the City of Columbia.
- 2) Any project special conditions for city contracted work will be included as part of the contract documents.

C) INTENT AND DEFINITIONS:

1. The intent of these specifications is to identify the type and quality of all water main materials, the method and procedure of construction, the inspection and testing methods, and the terms of acceptance by the City of Columbia of any water main work or extension on any main or mains, that are or will be an active part of the water system of the City of Columbia, Missouri.
2. These specifications are intended to guide the construction of water distribution infrastructure within the City of Columbia. In the event that any of these specifications do not conform to standing or enacted standards or requirements from governing bodies such as the Missouri Department of Natural Resources, or the American Water Works Association, the more stringent of the standards must be used. At no time shall any work be performed that is not in accordance with the relating standards of the work to be completed.

3. Definitions:

AWWA: American Water Works Association- National organization responsible for maintaining the foremost set of rules and specifications for potable water suppliers.

City: City of Columbia, Missouri.

City's Engineer: The Director of Water and Light of Columbia, Missouri, or his duly authorized designee.

Contractor: The individual or firm to which this contract is awarded or is otherwise completing work to which these specifications apply.

DI or DIP: Ductile Iron pipe or fittings to be used for water distribution.

DNR: Missouri Department of Natural Resources (State Water Distribution Governing Body).

FDC: Fire Department Connection- A fitting outside of a building where a pumper truck attaches to the inside sprinkler system and supplies water

from an outside source.

Inspector: The engineering or technical inspector or inspectors authorized by the director of Columbia Water and Light.

MoDOT: Missouri Department of Transportation (State Transportation Governing Body).

"Or Equal": Any part or fitting submitted to the Engineering Division of Columbia Water and Light for evaluation and determined by the director or his duly authorized designee to be equal in quality and performance to any manufacturer and series currently specified.

Owner: Applicant for the approved water main extension (generally the developer).

Owner's Engineer: An individual designated by the owner to fulfill the responsibilities and or duties of an engineer or architect.

Potable Water: Water that has been treated and tested as safe to drink.

Regular Work Week: 8:00 AM - 4:30 PM, Monday - Friday.

Rock excavation: Any excavation which requires the contractor to utilize equipment intended specifically for the removal of rock which encompasses a volume of 1/2 cubic yard or greater amount of rock measured in its original and undisturbed state.

PVC: Poly Vinyl Chloride- A synthetic resin commonly used in producing water distribution products.

Water Department: Water and Light of the City of Columbia, Missouri.

D. RESPONSIBILITIES OF CONTRACTOR AND OWNER:

1. The owner or city (whichever is applicable) or its engineer shall be responsible for the proper location and grade of the proposed extension. Property irons or accurately located and labeled laths shall be provided at key lot corners, particularly at intersections and curves. The main shall not be located solely from street centerline markers. The street pavement must be completed prior to installation of the water main extension. Possible problems with sanitary sewers, manholes, storm sewers, and drop inlets must be marked and sizes and depths indicated. Failure to provide the above requirements may result in suspension of the work.
2. The contractor shall employ skilled workmen under the supervision of a foreman experienced in water main construction to install the main. The inspector may suspend the work for the absence of an experienced foreman or until, in his opinion, skilled personnel are provided.
3. The owner or city's (whichever is applicable) contractor shall be responsible for any failure of the main extension that can be attributed to faulty workmanship or defective materials, and for maintenance of backfilled areas. The contractor will be responsible for a period of one year after final payment has been issued (for City Contract jobs) or for one year after the deed of dedication for the main has been accepted by the City Council (developer extension).
4. The owner shall be responsible for providing necessary easements and, after completion of the work, a deed of dedication transferring ownership of the installed water distribution infrastructure to the City. Failure to provide these documents will result in a refusal of the Water Department to make service connections to the mains concerned.
5. Contractor is responsible for obtaining a permit for work within public street rights-of-way from the agency having jurisdiction; the City of Columbia Public Works Department, Boone County Public Works, or the Missouri Department of Transportation, prior to any construction within the street right-of-way. The City will obtain a permit from the Missouri Department of Transportation for construction in state rights-of-way for city contracted jobs.

6. The Contractor shall ensure all construction complies with the City of Columbia's specifications for street and utility construction. Roadway construction and repair to improved streets shall comply with the requirements of the agency having jurisdiction; the City of Columbia Public Works Department, Boone County Public Works or the Missouri Department of Transportation. Unimproved streets shall be repaired, at a minimum, by backfilling with 1-inch clean rock and capping with asphalt the same thickness as the existing roadway but not less than 3 inches.
7. The contractor shall maintain traffic control devices in compliance with the Manual on Uniform Traffic Control Devices (MUTCD) and any additional requirements of the agency having jurisdiction.

E. MATERIALS:

1. Pipe: All pipe shall meet one of the following specifications:
 - a. Ductile-Iron Pipe: ANSI/AWWA C151/A21.51-09 or latest revision thereof, Thickness Class 50 or Pressure Class 350, push-on joint, cement-mortar lined, bituminous coated. Acceptable manufacturers are: Clow, American, and U.S. Pipe. For restrained joint pipe acceptable manufacturers are: U.S. Pipe TR-Flex™, Clow TR Flex, or approved equal.
 - b. PVC Pipe: 4"-12": Polyvinyl Chloride pipe, meeting AWWA Specification C900-07 or latest revision thereof, outside diameter equivalent to ductile iron pipe, DR (dimension ratio) series 18, gasket bell-end coupling. Installation requirements shall be the same as for ductile iron pipe. Acceptable manufacturers are: Pipe Life Jet Stream, Vinylplex, Northern Pipe Products, PW Eagle, JM Eagle, CertainTeed, Diamond, Ipex Blue Brute, and North American Pipe Company.
 - c. Polyethylene Pipe: Pipe shall meet AWWA C901 and ASTM D 2737 or the latest revision thereof. The pipe shall be copper tube size, DR9, 2.125 in OD, 1.653 in ID, and be rated for a max working pressure of at least 200psi. Acceptable manufacturers are Centennial Plastics, and Silver-Line Plastics, or an approved equal.
2. Fittings: All fittings shall meet one of the following specifications:
 - a. Ductile Iron Fittings: To meet ANSI/AWWA C110/A21.10-08 or ANSI/AWWA C153/A21.53-06, or latest revision thereof, mechanical joint, cement-mortar lined, bituminous coated; 12-inch to 24-inch fittings to be rated at 350 psi; 30-inch and larger fittings to be rated at 250 psi. Acceptable manufacturers are: Tyler Union, Star, U.S. Pipe, SIP, and Sigma.
 - b. PVC Fittings: 6"-8": To meet AWWA C907-04 or latest revision thereof. Acceptable manufacturers are Ipex, Blue Brute, and CertainTeed (for couplings only).
3. Valves: All valves shall meet one of the following specifications:

a. Gate Valves: NRS resilient wedge for buried service, conforming at a minimum to AWWA C509-09 or AWWA C515-09 or latest revisions thereof for 16" and larger; 2" square operating nut; open left; MJ X MJ; wedge rubber shall be molded and bonded in place to the wedge and shall not be mechanically attached with screws, rivets, or similar fasteners; wedge shall seat so the seating is equally effective regardless of direction of pressure unbalanced across the wedge; waterway shall be full diameter, smooth and shall have no depressions or cavities in the seat area where foreign material can lodge and hinder closure or sealing, the valve body and bonnet shall be fusion bonded epoxy coated, inside and out, and the valve shall be provided with stainless steel bonnet and packing bolts. Acceptable manufacturer and series for 16" and larger gate valves are U.S. Pipe 250, American Flow Control #2500, Clow RW, Mueller A-2361, and M & H Style 7000. For all other sizes less than 16", acceptable manufacturers are: American Flow Control Series 2500, M & H style 4067, Clow R/W, U.S. Pipe 250, Mueller 2361, Kennedy RW, EJ Flowmaster, or an approved equal.

b. Tapping Valves: Same as Gate Valves above.

c. Butterfly Valves: Rubber-seated for buried service, conforming as a minimum to AWWA C504-06 or latest revision thereof class 250; 2" square operating nut; open left; MJ X MJ; butterfly shall seat so the seating is equally effective regardless of direction of pressure unbalanced across it, the resilient seat shall be attached to the body of the valve and not the butterfly, the valve interior shall be epoxy coated and the exterior shall be epoxy or bituminous coated. Acceptable manufacturers are: Pratt, Kennedy, or an approved equal.

d. Valve Boxes: All valve boxes shall be 6" C900 PVC DR18 water pipe. During construction the valve boxes shall extend from 2 to 3 feet above grade to remain visible to other construction trades and traffic. Once final grade has been established, the valve boxes shall be cut to grade. It shall be the contractor's responsibility to ensure the valve boxes are cut to grade. All valve boxes shall be vertical, clear of mud and debris and capped with a Clay & Bailey #2195 valve box cover. Acceptable manufacturers shall be the same as those listed for PVC pipe, 4"-12" under the Materials Section of this set of specifications.

- e. Air Release Valves: All air release valves shall be single-body combination air valves designed to open automatically when air accumulates within the pipeline and if negative pressure occurs during draining activities. Valves shall be sized appropriately to exhaust large quantities of air during the filling of the pipeline. Valves should be operable while the main is under pressure and in use. Valve bodies shall be constructed of cast iron and all hardware shall be formed of Stainless Steel. Valves shall have full size NPT Inlets and Outlets equal to the nominal valve size. Valves shall be manufactured and tested in accordance with AWWA C512 or the latest revision thereof. Acceptable manufacturer and series are Val-Matic 200 series or an approved equal.
4. Gland Packs: All valves and mechanical joint manufacturers are to supply their domestic accessory gland pack with their fittings and/or valves. The manufacturers brand shall be clearly cast into the gland and also clearly printed onto any box or package in which the gland pack is shipped. If the gland pack and box are not so marked, a certification from the valve and/or fitting manufacturer will accompany each shipment certifying that the specific gland pack shipped is approved by the manufacturer for use with the valve and/or fitting. All glands must be ductile iron.
5. Tapping Sleeves: Manufactured from all stainless steel group 18-8, material 304 including sleeve, outlet neck, outlet flange, and all bolts and nuts; top of shell shall be a minimum of 11 Ga. plate and bottom of shell shall be a minimum of 14 Ga. plate; seal to be full circumferential gridded and approved for potable water; Mechanical Joint Tapping sleeve outlet shall be suitable for use with standard mechanical joint resilient wedge gate valves per ANSI/AWA C509-94 or latest revision thereof. Acceptable manufacturers and series are: Ford FTSS-MJ, JCM #439-MJ, Cascade CST-EX-MJ, Smith Blair #665-MJ, Power Seal Model #3490-MJ, and Mueller H304-MJ.
6. Fire Hydrants: Fire Hydrants shall be manufactured in accordance with the latest revision of AWWA standard C502. They shall be designed for 250 psi working pressure and tested to 500 psi. They shall be of self-draining design with a minimum of 2 straight weep holes within the seat ring. The seat ring should have a rubber o-ring seal above and below the installation threads. The hydrant shall not rely upon a spring for drain closure or flow

throttling during hydrant operation. They shall be a traffic model complete with safety flanges and a 360 degree rotating nozzle section. The hydrant rod shall be self-oiling within a sealed lubrication reservoir that can be refilled without hydrant disassembly. All working parts should be removable and serviceable without excavation. Hydrants shall be manufactured and supplied with a 5-1/4" valve opening, two 2-1/2" hose nozzles, and one 4-1/2" pumper nozzle. Acceptable manufacturers and series are Mueller Super Centurion 250-A-423 or Clow Medallion.

- 7. Reserved
- 8. Concrete: All concrete work shall meet A.S.T.M. Standards C150 (type 1), C260, and C33. Concrete shall be Class A, 6 bag mix, 5-inch slump, 3,000 psi minimum compressive strength in 28 days.
- 9. Anchors, Inserts, Reinforcements: All thread rod shall be 3/4" stainless steel, group 18-8, material 304, minimum yield of 70 ksi, minimum tensile 100 ksi. Nuts shall be hex head, 3/4" stainless steel, group 18-8, material 304. "DUC-LUGS" shall not be used on 12" or larger fittings and valves. Cor-Ten anchor eye-bolts may be used in lieu of "DUC LUGS" on 12" and larger valves and fittings, anchor eyes or rods shall tie directly into bolt holes on fittings and valves. Stainless steel washers shall be utilized with all tie rods and nuts. Stainless steel all-thread rod shall only be joined with stainless steel extension nuts. DUC-LUGS shall not be used to extend stainless steel all-thread rod. "T" bolts for use with MJ fittings shall be Cor-Ten, high strength, low alloy, corrosion resistant steel. Bolts should have a corrosion preventative coating utilizing baked on ceramic filled fluorocarbon such as Cor-Blue or an approved equal.
- 10. Casing Pipe:
 - a. Steel: Steel casing pipe wall thickness shall conform to the following schedule:

CASING DIAMETER	MINIMUM WALL THICKNESS
6, 8, 10, 12"	.188"
14, 16, 18"	.250"
20, 22, 24, 26, 28, 30"	.3125"

32 through 48"

.4375"

All pipe shall conform to all applicable requirements of AWWA C200-05 and AWWA M11 or latest revision thereof, and if fabricated shall be constructed of A36 steel with a minimum yield point of 36 ksi; or if manufactured shall conform to Grade B with a minimum yield point of 35 ksi. It may be shipped in random lengths between 18 and 22 feet and shall have one end cut square and one end beveled. All casing pipe to be joined with 360 degree welds. It shall be mill primed and coated with bituminous based coating before installation. Where coating is damaged during installation, it shall be repaired and replaced by thorough brushing or scraping to sound material and applying two coats of the coating material.

b. Concrete Pipe: Concrete pipe utilized for encasements shall be steel reinforced concrete pipe and shall conform in both material and installation specification to those of the Missouri Department of Transportation.

11. Casing Spacers: The casing spacers shall have a bolt on shell made in two sections. All metal components shall be Type 304 (18-8) Stainless Steel. It shall have an elastomeric liner to isolate the shell from the carrier pipe. It shall have runners attached to the shell and be designed to provide a minimum of .75 inches clearance between the carrier pipe's greatest outside diameter and the casing pipe's inside diameter. The chock runners shall be beveled with high abrasion resistance and a low friction coefficient. Acceptable manufacturers and models are: Pipe Seal & Insulator S8G-2 and S12G-2, Power Seal #4810, Cascade CCS series, Advance Products & Systems model SSI, and BWM Company model SS-8.
12. Pipe Restraints: All pipe restraints shall be ductile iron for use on ductile iron MJ fittings with ductile iron or C900 PVC pipe. All joint restraints shall have a minimum of 150 PSI pressure rating. Restraint systems that use set screws to hold the gland to the pipe are unacceptable. All T-bolts and studs shall be high strength, low alloy steel (Cor-Ten or equal).

Acceptable manufacturers and series are:

For DIP: EBAA Iron series 1100 Megalug, Tyler series 1000 TUF Grip, Sigma One-Lok SLDE Series, and Uni-Flange series 1400.

For PVC: EBAA Iron series 1500 and 2500 bell restraints, EBAA Iron series 2000PV Megalug, Tyler series 2000 TUF Grip, Sigma One-Lok SLCE Series, and Uni-Flange series 1500 Circle-Lock.

For DIP or PVC: Tyler MJ Field Lok; Romac Grip Ring, Uni-flange 1300 series 4" to 12", Uni-Flange 1360 Series 10" to 12", and JCM 610 and 620 Sur Grip for 4" - 12".

13. Pigs: All pigs shall be constructed from open cell polyurethane foam. They shall be of medium density ranging from 5 lb/ft³ to 8 lb/ft³ and be double dished. All pigs used shall be made for hand launching and specifically for the type and size of pipe being installed. Acceptable manufacturers and series are: Pipeline Pigging Products B-3 DD (Double Dish) 5 to 7 lb and the KNAAP Polly Pig 5A DD (Double Dish) 5 to 8 lbs.
14. Rubberized Spray-on Undercoating: All nuts, bolts, and threaded rod ends requiring additional corrosion protection shall be coated with an approved spray-on undercoating prior to backfilling. Approved Manufacturers are 3M Rubberized Underseal Undercoating 08883 or an approved equal.
15. Polyethylene Encasement: All poly wrap shall be 12 mil (min) polyethylene wrap in accordance with ANSI/AWWA C105/A21.5-05 or latest revision thereof.
16. Locator Wire: Locate wire and its appurtenances shall meet the following specifications.
 - a. For open trench installation locate wire shall be 12 AWG solid copper used in minimum 1000-foot rolls with as few splices as possible. Smaller roll lengths are acceptable if length of roll exceeds that needed to install without splices. Insulation shall be blue HDPE or HMWPE minimum thickness .030".
 - b. For trenchless installation the wire shall be 12 AWG copper clad steel with minimum break strength of 1,150 lb. Insulation shall be blue HDPE or HMWPE minimum thickness .045". No splices shall be allowed throughout trenchless installed sections.

- c. Direct bury wire connectors shall be specifically manufactured for use in underground trace wire installation, shall be dielectric silicon filled, and installed according to manufacturer specifications preventing any uninsulated wire exposure. Acceptable manufacturer and model are 3M DBR/Y connectors or an approved equal.
- d. Branch connections for service lines shall be specifically manufactured for use in underground trace wire installation, shall be dielectric silicon filled, and installed according to manufacturer specifications preventing any uninsulated wire exposure. Acceptable manufacturer and model are DryConn Direct Bury Lug Aqua or an approved equal.
- e. Grounding rods should be drive-in magnesium grounding anode rod, minimum 1.0 pound, supplied with and permanently connected to a minimum 20 feet of locate wire. Acceptable manufacturer and series are Copperhead ANO-12 or an approved equal.
- f. Tracer wire access stations shall be specifically manufactured for use in trace wire installation. Typical trace wire access points, when supplied at fire hydrants, shall include multiple binding posts with the ability to decouple the ground from trace wire. When installed in soil, the station shall be adjustable to grade. When installed in paved surfaces, the station should be traffic rated. Acceptable manufacturer and series are Copperhead Cobra and Copperhead Snakepit LD or RP or an approved equal.

F. MATERIAL HANDLING:

1. PVC pipe and fittings: Shall be handled according to guidelines set out in AWWA M23 or latest revision thereof. The pipe shall not be handled with individual chains or single cables, even if padded. They shall not be dropped to the ground or into the trench and shall not be dropped or rolled against other objects on the ground. Gaskets shall be protected from excessive exposure to direct sunlight, ozone, oil, and grease. If stored for extended periods the pipe and fittings shall be protected from direct sunlight and shall be laid so as not to become deformed or bent.
2. Ductile Iron Pipe and Accessories: The handling of pipe, fittings, valves, hydrants, and accessories shall conform as a minimum to the standards set out in AWWA C600-05 or latest revision thereof. They shall be loaded and unloaded by lifting with hoists or skidding so as to avoid shock or damage. Under no circumstances shall such materials be dropped or rolled against pipe or fittings already on the ground.

G. LOCATION:

1. Alignment and Grade: The water mains shall be laid, and valves, hydrants, and fittings shall be placed in accordance with the plans. Unless otherwise approved by the City's Engineer, all pipe shall be installed with the following minimum depths: All pipe smaller in diameter than 12" shall be installed a minimum of 42 inches below finished grade or when installed along streets, 42 inches below the existing street pavement centerline elevation, whichever is greater. All pipe 12" and larger in diameter shall be installed a minimum of 60 inches below finished grade or when installed along streets, 60 inches below the existing street pavement centerline elevation, whichever is greater.
2. Dead Ends: The dead end of a main shall have a fire hydrant or approved flush assembly for flushing purposes. Flush assemblies shall be a min 2" for 6" & 8" mains, a min 4" for 10" & 12" mains, and a fire hydrant assembly for 16" mains. Temporary flush out standpipes shall be installed on fire hydrant valves wherever possible. All 2" temporary flush outs shall be galvanized pipe with no weep-hole. The standpipe shall extend 2 feet minimum and not exceed 3 feet above ground level and be fitted with a plug. For permanent installation, flushing devices shall be below grade and completely enclosed within a valve box. Larger mains shall utilize a flushing assembly that provides a min of 4 ft/sec water velocity within the pipe at flushing. It will be the responsibility of the contractor to supply all required materials for temporary flush outs. Temporary flush outs shall be placed by the contractor as per the plans. Additional flush outs may be required by the Water & Light Inspector due to field conditions. These also shall be provided and placed by the contractor.
3. Ells, Tees, Plugs, and Hydrants: All fittings shall have thrust reinforcement, either in the form of approved manufactured restraint, stainless steel rods, or a properly designed thrust block of concrete.
4. Water Mains Near Sewers: All water mains installed near sanitary or combined sewers must be completed in accordance with "Minimum Design Standards for Missouri Community Water Systems".
 - a. Parallel Installation: A water main shall be laid at least 10 feet horizontally from any existing or proposed storm or sanitary sewer line. Should local

conditions prevent a lateral separation of 10 feet, water main may be laid closer than 10 feet to a storm or sanitary sewer line provided that the water main is laid in separate trench or on an undisturbed earth shelf located on one side of the sewer line and at such an elevation that the bottom of the water main is at least 18 inches above the top of the sewer line while maintaining minimum cover requirements. When it is impossible to obtain proper separation, either the water line or sewer line shall be constructed of manufactured restrained joint, or fusion welded pipe or installed within a continuous casing. If casing is used it must be a material approved for use as a water main and installed continuously until the required separation can be obtained. In no case shall the water main and the sewer main share the same granular fill bed.

b. Crossings: Where water mains must cross over storm drains or sanitary sewers, the water main must be laid at such an elevation that a vertical clear distance of 18 inches must be maintained between the outside of the water main and the outside of the sewer pipeline. At crossings, a full length of water main pipe must be centered over the sewer to be crossed so both of the joints will be equally distant from the sewer and as remote therefrom as possible and in no case less than 10 feet. This vertical separation must be maintained for that portion of the water main located within 10 feet horizontally of any storm drain or sanitary sewer that it crosses, said 10 feet to be measured as the shortest distance from the water main to the sewer at that point. When it is impossible to obtain proper separation, either the water line or sewer line shall be constructed of manufactured restrained joint, or fusion welded pipe or installed within a continuous casing. If casing is used it must be a material approved for use as a water main and installed continuously until the required separation can be obtained. Backfill shall be of compacted clay to a minimum of 18" above and below the outside dimension of the water main and for a horizontal distance of 10 feet from the sewer being crossed. In no case shall the water main and the sewer share the same granular fill bed.

c. Unusual Conditions: Where these conditions cannot be met the Missouri Department of Natural Resources shall be consulted as to the precautions to be taken to protect the public water supply.

H. EXCAVATION AND PREPARATION OF THE TRENCH:

1. Size and Alignment: The trench shall be dug such that the pipe can be laid to the proper grade and alignment as shown on the approved plans. Width of trench shall be so as to have a minimum width of 18 inches greater than the outside diameter of the pipe. Bell holes shall be provided at each joint. Bell holes shall be no larger than is necessary to permit proper jointing and ensure the pipe is supported evenly along the entire length of the barrel. This is especially important for PVC pipe. No voids shall be permissible under the pipe barrel. Hand excavation shall be employed in trenching when deemed necessary by the City's Engineer.
2. Tunneling: Tunneling may be permitted or required at the discretion of the City's Engineer.
3. Bracing and Shoring: It is the responsibility of the contractor to maintain all work in compliance with current Occupational Safety and Health Act (OSHA) standards. Inspectors, engineers or other City personnel shall not enter any trench or excavation not braced or shored in accordance with OSHA Standards.
4. Open Trench:
 - a. At no time shall there be more than 300 feet of trench opened in advance of the pipe laying operations provided that the trench is backfilled prior to the end of the day's work. This length of open trench may be shortened by order of the City's Engineer.
 - b. The contractor shall not allow a cut on any roadway which is open to traffic to remain overnight without capping the cut with a minimum of 3 inches cold mix patch.
5. Rock Excavations:
 - a. Definition: Rock excavation shall include any excavation which requires the contractor to utilize equipment intended specifically for the removal of rock which encompasses a volume of 1/2 cubic yard or greater amount of rock measured in its original and undisturbed state.

- b. Trench Width and Depth: Any trench of rock excavation shall be at least 18 inches wider than the outside diameter of the pipe and nine inches deeper than the average depth of the trench as required by existing topography or these specifications. In the event of any required undercut, the trench sub grade shall be restored to proper grade by filling and compacting, with an approved material, so as to insure a uniform bed along the full length of the pipe barrel. Approved materials are sand and crushed stone aggregate with 95% passing a 1/2 inch screen but not more than 10% passing a #200 sieve.
 - c. Rock Measurement: All rock measurement or estimates to be used for payment purposes shall be made, recorded, and signed in the field in the presence of the City's Engineer and contractor or their duly authorized designees. (SEE ALSO SECTION P)
6. Before starting work, the contractor shall be responsible for having located any utilities or services in the area which might be affected. Financial responsibility for damage to any utilities belongs to the contractor.

I. PIPE LAYING:

1. Laying: All pipe, fittings, valves, and hydrants shall be carefully lowered into the trench by means of ropes or mechanical equipment. Under no conditions may they be dropped or thrown. If he so desires, the inspector may hammer test all cast or ductile iron pipe before it is lowered into the trench. Ends of all pipe must be thoroughly cleaned.

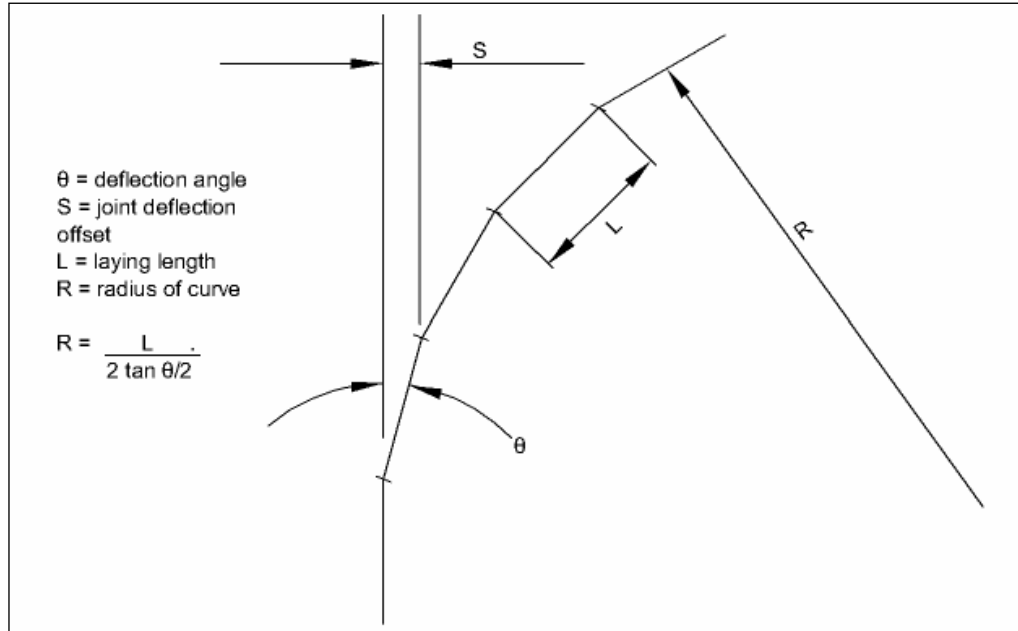
After placing a length of pipe in the trench, the spigot end shall be centered in the bell; the pipe forced home and brought to the proper grade and alignment. The pipe shall be secured in place with proper backfill material tamped around and over it except at the bells. Bells shall be in the direction of the laying operations.

Precautions shall be taken to protect the interiors of pipes, fittings, and valves against contamination prior to and during installation in accordance with AWWA 651 or latest revision thereof. All openings in the pipeline shall be closed with watertight plugs when pipe laying is stopped at the close of the day's work or for other reasons, such as rest breaks or meal periods. Joints of all pipe in the trench shall be completed before work is stopped. If water accumulates in the trench, the plugs shall remain in place until the trench is dry. The interior of each section of pipe shall be inspected immediately before and prior to installation in the trench to insure it is clean of critters, dirt, debris or other foreign matter.

All joint deflections must be within the pipe manufacturer's recommendations, and are hereby included in and made a part of these specifications. PVC pipe may be deflected around curves so long as deflection is in the joint only. No strain shall be placed on the pipe for the purpose of deflection. Manufacturers may vary in the amount of deflection which can be obtained in the pipe joint and their specifications should be consulted. In absence of the manufacturers published joint offset limits, one degree per joint shall be considered the maximum, or 4-1/4 inches per 20 foot pipe length.

Maximum Joint Deflection* Full-length DI pipe - push-on type joint pipe					
Nominal Pipe Size	Deflection Angle- θ	Maximum Offset - S		Approx. Radius of Curve - R Produced by Succession of Joints	
		inches		feet	
inches	degrees	L = 18 ft	L = 20 ft	L = 18 ft	L = 20 ft
6	5	19	21	205	230
8	5	19	21	205	230
12	5	19	21	205	230
16	3*	11	12	340	380
20	3*	11	12	340	380
24	3*	11	12	340	380

* For 16-in. and larger push-on joints, maximum deflection angle may be larger than shown above. Consult the manufacturer.



Allowable bending for Gasket Jointed PVC Pressure Pipe*	
Nominal Pipe Size - Inches	Minimum Bending Radius - Feet
6	144
8	189
12	275
*ANSI/AWWA C900 PVC pipe with cast iron outside diameters (CIOD)	

2. Jointing: All joints must be made as per the manufacturers and AWWA Specifications.

3. Valves: Valves shall be located as designated by Water Department at street, bridge, railroad, waterway crossings, dead ends, and at all fire hydrants.

All valves shall be protected by a valve box (See Section E).

4. Polyethylene Encasement: All ductile iron pipe, valves and fittings shall be fully bagged with polyethylene wrap. Poly Wrap encasement shall be installed in accordance with the latest revision of AWWA C105.

5. Rubberized Spray-on Undercoating: All nuts, bolts, and threaded rod ends shall be protected from corrosion with an approved spray-on undercoating prior to backfilling. Bolts utilizing baked on ceramic filled fluorocarbon coatings meet the need for anti-corrosion protection without additional coating requirements.
6. Locator Wire: All water mains owned by the City of Columbia shall be installed with a locate wire attached. The wire shall be used in minimum 1000-foot rolls for open trench installation. The wire shall be installed with as few splices as possible utilizing an approved connector. No bare wire shall be exposed, and the ends of the wire shall be knotted to prevent strain on the splice. Branch connections for services shall be made without cutting the main wire, utilizing an approved branch connector. When extending an existing main with tracer wire available, the existing trace wire shall be connected to and extended with the new main.

The wire shall be securely attached to the top of the pipe in the center to retain its position during backfill. Access points shall be made available at all fire hydrant installations utilizing an approved trace wire access device. The wire length between surface points shall not exceed 1000'. If no fire hydrant is available to surface the wire, an approved tracer wire access box shall be used. CW&L engineering shall note the access point on all as-builts, and mapping records. When deemed necessary by the compliance inspector, the trace wire shall be made available within valve boxes by looping the wire and inserting it into the valve box through a hole just below the cap or lid with enough wire to extend 12" above final grade.

Tracer wire shall be grounded utilizing an approved grounding anode at all starting points, dead ends, fire hydrants, and other locations as determined by the Compliance Inspector. The wire length between grounding locations shall not exceed 1000 feet. The ground shall be bonded to the tracer wire within valve boxes or an approved tracer wire access box. Grounding anodes shall be installed in the bottom of the trench as the utility is installed in an orientation preventing parallel wire installation or signal cancellation. When installing grounds through long continuous stretches, the grounding anode shall be placed directly below the pipe at tracer wire access box. Tracer wire shall not be grounded to meter setters, yard lines, or other

locations that may contain stray electrical currents.

After construction is complete and final grading is done, a low frequency test shall be performed on the newly installed wire by city personnel. The low frequency test shall be performed using typical low frequency (512 Hz). A properly installed trace wire system should result in a uniform signal field in which the peak response and null response match or nearly match. Excessive signal distortion as determined by the test technician shall qualify as test failure. Any signal bleed off to another buried utility or any section of wire where the signal is not observed shall also constitute test failure. Failure of low frequency test shall be repaired by the Contractor and successfully pass retesting prior to acceptance of the water main by the City.

J. ANCHORAGE:

1. Plugs, Caps, Bends: All plugs, caps, tees, end valves, fire hydrant valves, and bends, unless otherwise indicated on approved plans, shall be anchored to prevent movement by providing suitable reaction backing in the form of concrete thrust blocks and approved manufactured restraints. Concrete thrust restraints shall bear on undisturbed earth as specified. Concrete shall be neatly formed to control size and shape of block. Tie rods shall be installed in accordance with the following schedule:

MINIMUM NUMBER OF TIE RODS REQUIRED FOR A CLOSED VALVE OR DEAD END						
	6-INCH	8-INCH	10-INCH	12-INCH	16-INCH	24-INCH
3/4" RODS	2	2	4	4	8	14

THRUST BLOCKS MINIMUM BEARING AREA IN SQUARE FEET					
PIPE SIZE	11 1/4	22 1/2	45	90	TEE
6-INCH	1	2	4	7	5
8-INCH	2	3	6	12	8
12-INCH	4	7	14	26	18
16-INCH	6	13	25	46	33
24-INCH	15	31	60	111	78
*SEE DETAIL DRAWING Q-5					

THRUST COLLARS MINIMUM BEARING AREA IN SQUARE FEET					
PIPE SIZE	6-INCH	8-INCH	12-INCH	16-INCH	24-INCH
AREA	5	8	18	33	74
*SEE DETAIL DRAWING Q-6					

K. BACKFILLING:

1. Under the Pipe: All backfill under the barrel of the pipe shall be free from debris, organic matter, and stones larger than one inch in greatest dimension, and shall be tamped into place. Sand or crushed stone aggregate (95% passing a 1/2" screen but not more than 10% passing a #200 sieve) are acceptable substitutes for soil.
2. Adjacent to Top of Pipe: The first one foot of backfill over the top of pipe shall be free from debris, organic material, and stones larger than three inches in greatest dimension, and shall be hand placed.

If excavated material is not suitable for backfill, the City's engineer may require imported material be used; including clean, finely divided soil or crushed stone aggregate (one inch and smaller). If the material in the banks of the trench is suitable, it may be used.

If the depth of the trench is over five feet, at least two feet of hand placed fill must be placed over the top of the pipe before a mechanical type fill may be used.

On completion of the specified hand fill, the balance of the trench shall be mechanically filled to at least three inches above the proposed finished grade of the surrounding terrain. Backfill shall be free of junk, debris, brush, roots thicker than two inches, and stones or rubble more than six inches in greatest dimension. Top six inches backfill shall be topsoil corresponding to that underlying original sod.

3. Improved Areas: Backfill of trenches through any improved area, such as streets, railroads, or improved drives shall be of one inch clean gravel. Check dams of compacted clay soil or flowable fill shall be constructed to the full depth of the trench on 100 foot intervals for the entire length of trench being backfilled with granular material. The restoration of these surfaces shall be sufficient to return the area essentially to its previous condition and shall be to the satisfaction of the City's Engineer.

Any backfill in or resurfacing of any portion of an existing street, shall be treated in the manner as directed by the governing agency. For streets Owned and maintained by the City of Columbia, these operations must

follow procedures prescribed in the City of Columbia, Missouri's latest revision of *Street, Storm Sewer and Sanitary Sewer Specifications and Standards* Backfill of trenches through developed areas such as grassed strips between streets and sidewalks or yards, shall be earth compacted to a minimum of 95% of standard proctor density (ASTM D698).

4. Maintenance of Backfilled Areas: The owner's or city's (whichever is applicable) contractor shall be responsible to maintain backfilled areas to the grade of the surrounding terrain for a period of one year after the main has passed final inspection by the City (for contract jobs) or for one year after the deed of dedication for the main has been accepted by the City Council (for developer extensions). Seeding and mulching or re-sodding shall be completed according to Section N of these specifications to the satisfaction of the City's engineer.
5. Cleaning Up: On completion of contract, contractor shall remove all excess materials or supplies and shall clean up the entire working area and dress the land so as to leave a neat, accessible work area. Any ditches, road, or street shoulders shall be restored to their original alignment and grade.

All cleared trees, brush, unearthed rock, excess dirt and trash shall be disposed of. Trees, brush and stumps that are cleared during construction may only be burned with a permit from the Columbia Fire Department. Waste from items that are allowed to be burned shall be free from embers prior to disposal by the contractor. The contractor shall exercise due care in his construction operations to prevent marring or scarring of trees that are to remain. Care should also be taken so as not to leave soil upon the surface of roads, walks, or other paved surface.

L. TESTING:

1. All piping, valves, and appurtenances installed shall be subjected to hydrostatic testing. No more than 1000 ft of continuous pipe shall be installed and tested without prior approval from the water department. The newly installed main shall be cleaned, disinfected, flushed, and pass bacteria sampling requirements according to Section M of these specifications prior to being subjected to hydrostatic test pressure.
2. The specified test pressure will be determined using the following criteria:
 - a. The minimum allowable test pressure shall be 1.5 times the maximum sustained working pressure the pipeline will be subjected to at the lowest elevation to be tested and 1.25 times the maximum sustained working pressure at the highest elevation to be tested. All mains must be subjected to a minimum of 150 psi at the lowest elevation in the test section.
 - b. The maximum allowable test pressure shall not exceed the rated working pressure for any fitting, joint, thrust restraint, valve, or other connected appurtenance of the test section.
 - c. If the pressure at the highest elevation does not reach 1.25 times the standard working pressure when the lowest elevation has reached 1.5 times the standard working pressure or, the pipeline shall be tested in multiple sections or the test pressure shall be increased until the highest elevation has reached a pressure of 1.25 times the standard working pressure. At no time shall the maximum allowable pressure for the pipeline or its appurtenances be exceeded.
3. The hydrostatic test shall be completed in accordance with the latest revision of AWWA C600, Section 5.2 for DI pipelines and AWWA C605, Section 10.3 for PVC pipelines.
 - a. The newly constructed pipeline shall be filled while taking necessary steps to remove all air from the pipeline. The pipeline shall be filled slowly in order to avoid excessive pressure surges. After filling, the pipeline should rest undisturbed for suitable time in order to allow pressures to stabilize and absorption to take effect. This resting period may occur concurrently with disinfection and sampling.

b. The newly installed and sampled pipeline and its appurtenances shall be subjected to a hydrostatic pressure test using a suitable pump. This test may not take place while the pipeline contains super-chlorinated water. The pressure gauge used to monitor the test will be provided by the water department. The appropriate reading on this gauge will be determined using the criteria in paragraph 2 of this section and corrected for the elevation at which the pressure is being read.

c. The pressure test must be of at least a 2 hour duration. The pressure must be held within ± 5 psi of the specified test pressure throughout the duration of the test using makeup water through a hydrostatic test pump. The makeup water used must be measured utilizing a flow meter. The makeup water utilized for maintaining the test pressure may not exceed the values in the following tables and said tables are hereby made a part of these specifications.

ALLOWABLE LEAKAGE FOR PIPELINES								
Hydrostatic test makeup allowance per 1000 ft of pipeline. (US gal/hr)								
Test Pressure (PSI)	Nominal Pipe Diameter (Inches)							
	4	6	8	10	12	16	24	36
250	0.43	0.64	0.85	1.07	1.28	1.71	2.56	3.85
225	0.41	0.61	0.81	1.01	1.22	1.62	2.43	3.65
200	0.38	0.57	0.76	0.96	1.15	1.53	2.29	3.44
175	0.36	0.54	0.72	0.89	1.07	1.43	2.15	3.22
150	0.33	0.50	0.66	0.83	0.99	1.32	1.99	2.98
125	0.30	0.45	0.60	0.76	0.91	1.21	1.81	2.72
100	0.27	0.41	0.54	0.68	0.81	1.08	1.62	2.43
<p>This table has been generated from the formula: $L = \frac{SD\sqrt{P}}{148,000}$</p> <p>Where: L is the allowable Leakage in gallons per hour S is the length of laid pipeline in feet D is the nominal pipe diameter in inches P is the average test pressure in psig</p>								

d. Should any test fail to perform to these standards, the contractor shall, at the contractor's expense, locate and repair and/or replace the damaged or defective materials. Any materials used for repairs must be approved for use by the water department. Repairs and tests must be repeated until the allowable leakage is within the permitted allowance.

4. Operation of Existing Pressurized Valves: All valves under pressure in the mains owned by Columbia Water and Light shall be operated only by employees of the Water and Light Department except in cases of extreme emergency. All valves installed as a part of new construction shall be left fully closed by the contractor

5. Connection to Existing Mains:

Taps: It will be the contractor's responsibility to acquire locates, excavate the water main and install the tapping sleeve and valve to the water main for all taps. The valve shall be located a minimum of 36-inches from the nearest bell or fitting. The contractor will also contact the Water & Light Inspector to let them know that work has started. For a fee established by city ordinance, the Water Department will pressure test the valve and cut the coupon on the existing water main. Once the Water Department is finished, the contractor may begin to construct the water main out of the tapping valve.

Dead Ends: It will be the contractor's responsibility to acquire locates and excavate the water main. The contractor will also contact the Water and Light Inspector to let him know that work has started. The contractor will be responsible for tying into the existing dead end per the plans. This work shall take place only under direct supervision of the Water & Light Inspector.

M. CLEANING AND DISINFECTION

1. Pigging: When instructed by the engineer new water mains 4" and larger, installed with the intention of being dedicated to the City or being installed by contract for the City, shall be cleaned and flushed with a polyfoam pig prior to chlorination and sanitation. The contractor shall provide the excavation and backfilling required to establish any temporary pig flush assemblies. The contractor shall be responsible for requesting and coordinating all utility locations prior to excavation. A temporary flush for each pig shall be installed by the contractor and removed after pigging is complete. In its place the contractor shall install a standard D.E. cap and flush. The pit shall be constructed in such a manner, and the temporary flush removed, so as to prevent the backflow of dirty water into the new main. It shall be the responsibility of the contractor under the supervision of CW&L to flush the pig through. Any excavation, main removal and repair required to extricate a trapped pig shall be the responsibility of the contractor. During the time any excavation is left open, the contractor shall provide all required safety barriers and fencing. When unattended, the area shall be surrounded with poly fencing. Taping off the excavated area is not considered sufficient.

2. Disinfection: Unless otherwise specified by the City's Engineer water mains will be disinfected by the Water Department of the City of Columbia at its expense up to the first sampling. Any subsequent disinfection of new water mains shall be under the provisions of Section M of these specifications. All phases of disinfection and testing shall meet the requirements of AWWA Standard C651 or latest revision thereof and applicable requirements of the Department of Natural Resources. Unless otherwise specified, disinfecting will be by the injection method following the pigging and flushing.

Following the pigging process, at a point not more than 10 feet downstream from the beginning of the new main, water entering the new main for the purpose of disinfection shall receive a dose of chlorine fed at a constant rate such that the water will have 25 - 50 mg/L free chlorine. To assure that this concentration is provided, the inspector will measure the concentration at regular intervals. The concentration will not be allowed to fall below 25 mg/L. The chlorinated water shall remain in the main at least 24 hours.

Hypochlorite solutions may be applied to the water main with a gasoline or

electrically powered chemical-feed pump designed for feeding chlorine solutions. Feeds lines shall be of such material and strength as to safely withstand the corrosion caused by the concentrated chlorine solutions and the maximum pressures that may be created by the pumps. All connections shall be checked for tightness before the solution is applied to the main. Water to mix and inject chlorine into the pipes for disinfection shall be supplied through the taps provided for the purpose and not the main distribution line valves. The supply taps and connections are the responsibility of the contractor including excavation, backfill, safety and traffic barricades and the coordination for any utility locations prior to excavation. All connections must be in compliance with the Water Department's cross connection control standards and must be approved by its inspector prior to commencement of the disinfection process.

AMOUNT OF CHLORINE CONCENTRATE REQUIRED for a 25 mg/l chlorine solution in 100 ft. of pipe		
Pipe Diameter (In)	68% Chlorine Granules (lbs)	1% Chlorine Solution (gal)
4	.020	.16
6	.045	.36
8	.080	.65
10	.125	1.02
12	.180	1.44
16	.320	2.60
24	.360	5.76

The table above gives the amount of chlorine granules or solution necessary to reach the minimum required 25 mg/L concentration of chlorine solution in a 100 ft length of a given size pipe. A solution of 1-percent chlorine may be prepared with 1 lb of 68% concentration of sodium hypochlorite or calcium hypochlorite in approximately 12 gallons of water.

Should the engineer specify disinfection by utilizing granules, the contractor shall furnish and place disinfecting media, preferably calcium hypochlorite granules with 65% available chlorine, in the mains as pipe is laid. The granules will be added to each section of pipe as it is installed such that there will be a chlorine concentration of approximately 50 mg/L when the

pipe is filled. The following table will provide approximately 50 mg/L per 20' section of pipe:

PIPE SIZE	OUNCES OF GRANULES
4"	.13
6"	.3
8"	.5
12"	1.2
16"	2.2
24"	4.8

The granules shall not be allowed to remain in the pipe for an extended period. If the pipe will not be flushed and put in service within two weeks, disinfection shall be by Columbia Water & Light using the injection method. The owner will be responsible for any time and materials charges by CW&L. Should any section of main fail the required tests for disinfection by using the granules, then further disinfection will be by CW&L using the injection method and pigging (if deemed necessary by the City's Engineer). Again the owner will be responsible for time and materials charges by CW&L.

3. Flushing: Valves are to be operated only under the direct supervision of Columbia Water and Light personnel. Only Columbia Water and Light personnel shall operate valves on the existing water system. The super-chlorinated water shall be flushed from the main until chlorine measurements show that the concentration in the water leaving the main is no higher than that generally prevailing in the system. It shall be the contractors responsibility to ensure the super-chlorinated water is not discharged in such a way that it may affect the environment (fish life, plant life, physical installations, or other downstream water uses of any type). The contractor shall submit a written plan for the discharge and handling of the water to the department for approval. Upon review of the contractors plan the department may approve or deny it based upon a view of its assumed effectiveness and alignment with best management practices. If the contractors plan is denied, they may resubmit with changes or appeal to the governing bodies having jurisdiction over the downstream areas that may be affected by the discharge. Pumping of the super chlorinated water to a sanitary sewer system is an accepted method of disposal with permission to do so. The department may offer coordination in receiving

permission from the agency responsible for maintaining that sanitary sewer system and relaying any stipulations they may have. For the super-chlorinated water to be discharged to the ground surface, the chlorine residual remaining in the water must be thoroughly neutralized. The following neutralizing agents can be used: sulfur dioxide (SO₂), sodium bisulfate (NaHSO₃), sodium sulfite (Na₂SO₃), and sodium thiosulfate (Na₂S₂O₃*5H₂O).

CHLORINE RESIDUAL NEUTRALIZING TABLE UTILIZING SODIUM THIOSULFATE			
Residual Chlorine Concentration (mg/L)	Chlorine Discharge Flow Rate (gpm)	Concentration of Sodium Thiosulfate in water for neutralizing solution (Oz/gal)	Application rate of neutralizing solution to discharge stream (gpm)
25	50	2.8	.143
50	50	5.6	.143
25	100	2.8	.286
50	100	5.6	.286

The table above gives the ounces of Sodium Thiosulfate per gallon of water required to neutralize various residual chlorine concentrations at 50 and 100 gal / min of discharge with an application rate of .143 and .286 gal/min of the Sodium Thiosulfate solution. Recommended application of the neutralizing agent is with a pump sprayer.

4. Sampling: Bacteriological test samples will be collected by Columbia Water and Light personnel in accordance with AWWA C651 or the latest revision thereof. A set of samples shall be collected every 1200 feet along the newly installed water main plus one set from the end of the line and at least one set from each branch greater than one pipe length. For the purposes of bacteriological testing one set of samples includes all samples collected along the length of the pipeline.

Option A: An initial set of samples will be taken and a second set will be taken a minimum of 16 hours later. Both sets must pass bacteriological testing before the main is approved for service.

Option B: The main must sit static for a minimum of 16 hours without water

usage prior to samples being drawn. Two sets of samples will be drawn a minimum of 15 minutes apart while the sampling taps are left running. Both sets must pass bacteriological testing before the main is approved for service.

In the event that the main does not pass its first set of bacteriological tests, then the main will be pigged, flushed, chlorinated and sampled again at the contractor's expense. The contractor shall be responsible for digging up the main, reinserting a pig and reinstalling a pig flush assembly. Once the pig is flushed, the contractor will reinstall the temporary flush assembly for sampling purposes. The main will then be re-chlorinated, flushed, sampled and tested. The contractor will be responsible for any costs incurred by it's crews or city forces for second or subsequent disinfection and sampling.

N. SEEDING, SODDING, AND SITE RESTORATION

1. Topsoil: Topsoil shall be fertile, friable soil of loamy character, free of sub-soil, stumps, refuse, roots, hard dirt, heavy or stiff clay, coarse sand, noxious weeds, noxious weed seeds, sticks, brush and other foreign material. It shall not be infested with nematodes nor with any other noxious animal life or toxic substances. Sandy loam of low fertility, even though mixed with leaf mold, manure, or other fertilizers, will not be accepted.
2. Seed Bed: The contractor shall be responsible for preparing the seed bed in order to provide a proper environment for reliable germination of the seed. This preparation may include but not be limited to rotary tilling, topsoil pulverization, topsoil replacement, and application of lime or fertilizer.
3. Grass seed: Grass seed shall be clean, dry, new crop seed and for established areas shall be a blend as specified below, unless otherwise specified on the plans or directed by the City's Engineer:
 - a. Kentucky Blue Grass 20% by weight.
 - b. Creeping Red Fescue 30% by weight.
 - c. Perennial Rye 30% by weight.
 - d. Annual Rye 20% by weight.
 - e. Purity 85%
 - f. Germination 80%
 - g. Maximum weed seed 1%

It shall comply with standards of the Official Seed Analysis of North America and be recommended for full sun exposure in Columbia, Missouri. Seed shall be free from Johnson grass, Canadian thistle, or field bind weed seed and be approved by the Inspector. If re-establishing pasture or cropland, seed used shall match existing crop cover.

4. Fertilizer: Fertilizer shall be a mixture containing 12 pounds each of soluble nitrogen, phosphate, and potash per 100 pounds.
5. Mulch for Broadcast Seeded Areas: Mulch for broadcast seeded areas shall be clean wheat straw.
6. Plants, Trees and Shrubs: Plants, trees and shrubs shall be same strain as

those removed. They shall be nursery grown.

7. Sod: Sod shall be the same type as removed or damaged, shall be best quality, not more than two years old and meeting the following standards:
 - a. Thickness of Cut: Sod shall be machine cut at a uniform soil thickness of 5/8 inch, plus or minus 1/4 inch, at the time of cutting. Measurement for thickness shall exclude top growth and thatch.
 - b. Pad Size: Individual pieces of sod shall be cut to the suppliers standard width and length. Maximum allowable deviation from standard widths and lengths shall be plus or minus 1/2 inch on width and plus or minus 5 percent on length. Broken pads and torn or uneven ends will not be acceptable.
 - c. Strength of Sod Sections: Standard size sections of sod shall be strong enough to support their own weight and should retain their size and shape when suspended vertically from a firm grasp on the upper 10 percent of the section.
 - d. Moisture Content: Sod shall not be harvested or transplanted when moisture content (excessively dry or wet) will adversely affect its survival.
 - e. Mowing Height: Before stripping, sod shall be mowed uniformly at a height of 1 to 2-1/2 inches.
 - f. Thatch: Sod shall be relatively free of thatch, up to 1/2 inch allowable (uncompressed).
 - g. Diseases, Nematodes, and Insects: Sod shall be reasonably free of diseases, nematodes, and soil-borne insects. State nursery and/or plant materials? laws require that all sod entering interstate commerce be inspected and approved for sale. The same applies to sod being shipped intra-state. The inspections and approval must be made by the state agricultural department, office of the state entomologist.
 - h. Weeds: Sod shall be free of objectionable grassy and broad leaf weeds. Sod shall be considered free of such weeds if less than 5 such plants are found per 100 square feet of area. Sod will not be acceptable if it contains any of the following weeds: quack grass, Johnson grass, poison ivy, nut

sedge, nimble will, Canada thistle, bind weed, wild garlic, ground ivy, perennial sorrel, brome grass, bent grass, and Bermuda grass.

8. Preliminary Cleanup: Disturbed areas, including those disturbed by site grading, trenching, storing of dirt, pipe laying, pipe storage, movement of equipment, and other work shall be cleared of all rubbish, brush, rock, trash, and excess dirt as soon as is practical after the pipe is laid and backfilled. In established lawn and parkway area, surface shall be raked the same day backfill operations are performed in order to remove all above items, including all rock measuring two-inches or more in its greatest dimension. In pasture and cropland areas, all above items shall be removed in a timely fashion. Contractor may use tractor-drawn equipment, including rock rakes and steel roller drum.
9. Planting: Individual trees, plants and shrubs shall be replaced as necessary by the Contractor and as stipulated by the City's Engineer. Planting shall be in accordance with How to Plant a Tree by the University of Missouri - Columbia Extension Division (Publication G 6850). Where stipulated, replacement trees, plants, and shrubs shall be of the same size, type, strain, and value as those removed. Planting of replacement trees, plants, and shrubs shall be done as soon as possible after installation of mains, with due consideration given to optimal times of the year to plant the given species.
10. Application of Topsoil: For established lawn and parkway areas, after preliminary cleanup has been performed, topsoil meeting the requirements of paragraph 1 of this section shall be applied to a minimum depth of four inches to disturbed areas. Topsoil shall be pulverized and graded to match existing terrain, or as specified by the Inspector. Surface shall be raked smooth to provide a good seedbed.

For pasture and cropland areas, topsoil shall be stripped from the area and windrowed separately from the subsoil for replacement after preliminary cleanup.

11. Seeding: Initial seeding shall be performed as soon as practical after preliminary cleanup and application of topsoil. Seeding windows are specified as follows: Autumn seeding shall be performed between August 15 and October 15 and spring seeding shall be performed between March

15 and May 15. If initial seeding is performed within either of the specified seeding windows, the only additional work required of the Contractor shall be warranty work. If initial seeding falls outside either of the specified seeding windows, then re-seeding during the soonest seeding window shall be considered part of the work. The final determination as to need for re-seeding shall rest with the Inspector.

For hydraulic seeding, the seed, fertilizer, and mulch shall be mixed with water and constantly agitated so that a uniform mixture can be applied hydraulically to the specified areas. Seed shall not be added to the water more than four hours before application. Ratios of seed, fertilizer, mulch, and water shall be calculated so that seed will be applied at the rate of six pounds minimum per 1000 square feet of area, fertilizer will be applied at the rate of 12 pounds minimum per 1000 square feet of area, and mulch will be applied at the rate of 1000 pounds minimum dry weight per acre. Wet application rate of the mixture shall be 2000 pounds per acre minimum.

For Broadcast Seeding applicable to areas disturbed by service installation only, seed and fertilizer shall be broadcast at the rate of six and twelve pounds per 1,000 square feet, respectively. Seed and fertilizer shall be raked to a depth of approximately 1/4 inch. Mulch shall be applied to approximately 1/2 inch depth.

12. Sodding: Delivery of sod shall be timed so that sod will be transplanted within a period of 36 hours unless a suitable preservation method is approved prior to delivery. Sod not transplanted within this period shall be inspected and approved by the City's Engineer prior to its installation. During periods of higher than optimal temperature and after all unevenness in the soil surface has been corrected, the soil shall be lightly moistened immediately prior to laying the sod.

The first row of sod shall be laid in a straight line with subsequent rows placed parallel to and tightly against each other. Lateral joints shall be staggered to promote more uniform growth and strength. Care shall be exercised to ensure that the sod is not stretched or overlapped and that all joints are butted tight in order to prevent voids which would cause air drying of the roots. As sodding is completed in any one section, the sod shall be pressed into contact with the sod bed by tamping or rolling, so as to eliminate air pockets, provide a true and even surface, and assure knitting

without displacement of the sod or deformation of the surfaces of sodden areas. Following compaction, screened soil of good quality shall be used to fill all cracks. Excess soil shall be worked into the grass with rakes or other suitable equipment. The quantity of fill soil shall be such as will cause no smothering of the grass. It shall then be thoroughly watered to a depth sufficient that underside of the new sod pad and the soil immediately below the sod are thoroughly wet.

Staking of sod will not be required unless sod cannot be transplanted and maintained as specified herein. If required, sod shall be staked with six stakes per square yard or roll of sod. Stakes shall be of lath or similar materials and shall be driven six inches into the ground, leaving approximately one-half inch of the top above the sod line.

13. Protection: Seeded and sodden areas shall be protected against traffic. If necessary, barricades or warning signs shall be erected. Such protective devices shall be maintained until final acceptance of the project.
14. Maintenance: All seeded and sodden areas shall be maintained by the Contractor until acceptance, but in no case shall maintenance be for less than 30 days following completion of all seeding, mulching, and sodding operations. Maintenance shall include watering, mowing, reseeding, repair of erosion damage, maintenance of mulch, and removal of litter. The City will assume maintenance upon acceptance.
15. Replanting: Prior to the end of the maintenance period, seeded and sodden areas that show signs of substantial desiccation, as evident by a loss of color and a distinct yellowing or where no germination is evident, shall be considered as failed and shall be reseeded or resodded and continue to be reseeded or resodded until an acceptable cover is obtained. Replanting operations shall be as originally specified.
16. Maintenance of Grades: Original grades of grass areas shall be maintained after commencement of planting operations and during the maintenance period. Any damage to the finished surface from construction operations shall be repaired within a reasonable time. In the event erosion occurs from either watering operations or rainfall, such damage shall be repaired within a reasonable time. Ruts, ridges, tracks, and other surface irregularities shall be corrected, and reseeded where required.

17. Maintenance of Mulch: Mulched areas shall be maintained until covered with growing grass seedlings. Mulch material that has been removed from the site by wind or other causes shall be replaced and secured.
18. Mowing: All sodden areas shall be mowed at least once for acceptance. Not more than 1/3 of the grass lead shall be removed by the initial cutting or subsequent cuttings. Height shall be maintained by 2-1/2 inches.

Mowing equipment shall be rotary type in good operating condition, well adjusted, and with sharp blades. Extra care shall be taken when mowing around trees and shrubs to prevent bark damage. Any trees and shrubs with damaged bark as a result of maintenance operations shall be replaced by the Contractor at his expense. Clippings shall be blown off of private driveways and parking lots.

19. Removal of Litter: Prior to any mowing operations, all debris that would interfere with mowing shall be collected and removed. The debris includes, but shall not be limited to, paper and cardboard, cans, bottles, and any other wastes that detract from the general appearance of any area of the site.
20. Waiver: Some aspects of this Paragraph N may be waived by the City's Engineer if the property which is the subject of the waiver request is owned by the same party that is contracting to install the water main. Such request must be made in writing and state that the owner of the property is installing the main and will accept all responsibility for all of the requirements herein being requested to be waived. The request will also state that the owner will be solely responsible for and hold harmless the City of Columbia for any damage to the owners or any surrounding property due to the contractor's lack of compliance with those provisions being waived.

O. INSPECTION:

1. It shall be agreed to by all parties that Water and Light of the City of Columbia, Missouri shall have full authority of inspection at all times during the progress of any water main work. The inspector shall have full authority to inspect the materials and the work performed.
2. The contractor shall furnish all reasonable aid and assistance required by the City's Engineer or his aides, for the proper inspection and examination of the work and all parts thereof. The contractor shall regard and obey the directions and instructions of the City's Engineer or inspector so appointed, when the same are consistent to his contract or these specifications; however, should the contractor object to any order given by any inspector, he may object by written appeal to the Director of Water and Light of the City of Columbia, or his duly appointed designee.
3. Supervising engineers, inspectors, and other properly authorized representatives of the owner or City shall be free at all times to perform their duties, and intimidation or attempted intimidation of any one of them by the contractor or by any of his employees shall be sufficient reason, if the City so desires, for suspension of work.
4. Such inspections shall not relieve the contractor or owner from any obligation to perform his work in accordance with these specifications or any approved plans, and work not so constructed shall be removed and made good by the contractor or owner at his own expense, whenever ordered by the inspector without reference to any previous oversight or error in inspection.
5. The City's Engineer or inspector shall have full authority to immediately and "on the spot" suspend work on any job or site for any reason and/or direct changes or alter specifications as they dictate.
6. The contractor shall notify the City's Engineer for the availability of an inspector minimum of two working days before commencing work. Monday through Friday between the hours of 8:00 a.m. and 4:30 p.m. shall constitute a typical work week. Any work outside these hours requires approval of the City's Engineer or inspector. A Minimum of two days' notice will be required when requesting inspection services outside of normal working hours.

P. MEASUREMENT AND PAYMENT:

1. Scope: This section is not-applicable to water mains extended under the provisions of the "APPLICATION FOR PERMISSION TO EXTEND WATER MAIN" (Developer Extensions). This section covers methods of measurement and payment for items of Work under this Contract.
2. General: The total Contract Price shall cover all Work required by the Contract Documents. All costs in connection with the proper and successful completion of the Work, including furnishing all materials, equipment, supplies, and appurtenances; providing all construction plans, equipment, and tools; and performing all necessary labor and supervision to fully complete the Work, shall be included in the unit and lump sum prices bid. All Work not specifically set forth as a pay item in the Bid Form shall be considered a subsidiary obligation of Contractor and all costs in connection therewith shall be included in the prices bid.
3. Estimated Quantities: All estimated quantities stipulated in the Bid Response or other Contract Documents are approximate and are to be used only (a) as a basis for estimating the probable cost of the Work and (b) for the purpose of comparing the bids submitted for the Work. The actual amounts of work done and materials furnished under unit price items may differ from the estimated quantities. The basis of payment for work and materials will be the actual amount of work done and materials furnished. Contractor agrees that it will make no claim for damages, anticipated profits, or otherwise on account of any difference between the amounts of work actually performed and materials actually furnished and the estimated amounts therefore.
4. Excavation and Trenching: Except where otherwise specified, the unit or lump sum price bid for each item of Work which involves excavation or trenching shall include all costs for such Work. No direct payment shall be made for excavation or trenching. All excavation and trenching except rock excavation shall be unclassified as to materials which may be encountered; in addition, trenches shall be unclassified as to depth.
- 4.01 Rock Excavation: Rock excavation shall include any excavation which requires the contractor to utilize equipment intended specifically for the removal of rock which encompasses a volume of 1/2 cubic yard or greater

amount of rock measured in its original and undisturbed state. The unit price bid for each item of rock excavation shall include the excess cost only of the removal and subsequent handling of such rock, over and above that of earth excavation.

Trench width and depth in rock shall meet the minimum requirements specified in Section H and rock excavation pay quantities shall be based on the volume of the excavated material in its original and undisturbed condition with the following maximum limits. For pipe with a 10-inch diameter or less the payment for rock excavation shall be based on a trench width of 2 feet. For pipe having a nominal diameter larger than 10-inches, payment for rock excavation shall be based on a trench width 18 inches wider than the outside diameter on the pipe. Payment for rock excavation at air release manholes or other structures shall be based on the outside diameter or dimensions of the structure plus 4 feet. Maximum trench depth shall be 9 inches deeper than the pipe depth required.

All rock measurement or estimates to be used for payment purposes shall be made, recorded, and signed in the field in the presence of the City's Engineer and contractor or their duly authorized designees.

When a contract unit price for rock excavation is not included in the contract, the payment for rock excavation shall be equivalent to the current rate for Class 3 Excavation in Rock included in the Missouri Department of Transportation's Specification Book for Highway Construction.

5. Pipelines: Pipelines which are to be paid for on a unit price basis shall be measured for payment on a horizontal plane after installation of the pipe. Where lines are laid to conform to stationed profiles, payment shall be made on linear quantities based on the pipeline stationing as determined by surveys made after installation.

The measurement of the length of each line or run of pipe of each size will begin and end at:

- a. The end of the pipe where connected to an existing pipe, fitting, or valve; or at the end of a dead-end run.
- b. The center line intersection of run and branch on tees, crosses, or laterals

where a branch line connecting therewith is constructed under this Contract. Where a branch fitting is installed under this Contract, and the branch or connecting line is to be constructed by others at some future date or under another contract, the pay measurement will include the entire laying length of the branch or branches of such fitting.

c. The measurement of each line of pipe of each size which is to be paid for on a unit price basis will be continuous through, and shall include the full laying lengths of, all fittings and valves installed between the ends of each line; except that the laying lengths of reducers and increasers will be divided equally between the connected pipe sizes.

d. Connected piping for fire hydrants in excess of 8 feet will be measured for payment from the center of the main to the end of the pipe at connection to fire hydrant less 8 feet included in the fire hydrant assembly pay item.

5.01 Connections to Existing Water Mains: Connections to existing water mains will be paid for at the lump sum prices bid. Each lump sum price named for a connection shall include all costs incurred for making the connection over and above the price of the connecting piping in place. Each lump sum price shall include furnishing and installing the tapping sleeve and valve; all excavation and backfilling work; tapping of existing main; all necessary thrust restraints and all other costs not included under other bid items. Tapping of existing main, and the costs associated with the tapping procedure, shall be the responsibility of Water and Light unless otherwise stipulated in the contract documents.

5.02 Gate Valves: Gate valves in water mains will be paid for at the unit price bid for each size. The unit price shall include all costs incurred in completing the gate valve installation over and above the amount paid for piping in place. The unit price shall include furnishing and installing the gate valve, valve box, and appurtenances; excavation and backfill not included under piping; and all other costs not included under other bid items.

No separate payment will be made for fire hydrant auxiliary gate valves or tapping valves.

5.03 Fire Hydrant Assemblies: Fire hydrants and air release fire hydrants will be paid for at the unit price bid. The unit price named for each fire hydrant

installation shall include all costs incurred in installing the fire hydrant; furnishing and installing hydrant, tee, auxiliary gate valve, accessories, and appurtenances; concrete blocking; drainage facilities; and all other costs not included under other bid items. Up to 8 feet of fire hydrant connection pipe is to be included in the fire hydrant assembly. Any connecting pipe in excess of 8 feet will be measured for payment as laid out in paragraph 5 of this section.

- 5.04 Fire Hydrant Assembly Relocation: Existing fire hydrants indicated on the drawings to be relocated will be paid for at the unit price bid. The unit price bid for each fire hydrant assembly relocation shall include removing the existing fire hydrant. The unit price bid shall also include furnishing and installing a mechanical joint end cap or plug at the main, new tee, auxiliary gate valve, accessories and appurtenances, concrete blocking, re-installation in accordance with paragraph 5.03 above and all other costs not included under other bid items. Up to 8 feet of fire hydrant connection pipe is to be included in the fire hydrant assembly. Any connecting pipe in excess of 8 feet will be measured for payment as laid out in paragraph 5 of this section.
- 5.05 Air Release Manhole Assembly: Air release manhole assemblies shall be paid for on a unit bid. The unit price shall include all labor and material including all excavation and backfilling not paid for as trenching for the water main, precast concrete manhole, concrete, reinforcing steel, manhole frame and cover, manhole steps, air release valve, corporation stop, miscellaneous valves and piping, and all other appurtenances required to complete the air release manhole assembly as indicated in the drawing as specified.
- 5.06 Fittings and Tees: The unit price bid for fittings and tees shall be the additional cost of such fitting or tee over and above that of an equivalent length of pipe and shall include all necessary thrust restraints.
- 5.07 Site Restoration, Seeding, and Sodding: No separate payment shall be made for site restoration seeding, or sodding as specified or required. All costs in connection with restoration, seeding, and sodding shall be included in the cost of the pipe.
- 6. Cased Bore: Where tunneling is required in connection with highway or

primary road crossings, each crossing shall be measured for payment horizontally along the longitudinal center line of the enclosing conduit or pipe installed there, from end to end of the enclosing conduit or from end to end of the tunnel excavation where an enclosing conduit is not required. Each designated type of crossing shall include the following:

a. Crossings in Conduit: The unit price bid for each crossing in pipe conduit or tunnel liner shall include all costs in connection with excavation and backfilling, pipe conduit or tunnel liner, the excess cost of installing pipe in pipe conduit or tunnel liner above the amount bid for the pipe laid in open trench, all skids, jointing materials, jacking pipe, jacking pits, sand backfill, end closures, and all other work for and in connection with the crossing, not paid for separately.

7. Pavement Removal and Replacement: Pavement removal and replacement shall be measured in place and the areas computed in square yards. The area measured shall be the actual areas required as indicated by the standard repair details Q17 & Q18 and trench details Q1 & Q2, or as ordered by the City's Engineer. If additional surface is removed or damaged due to the negligence on the part of the Contractor, the additional quantities shall not be measured for payment, but shall be repaired at the Contractor's expense.

The unit prices bid for pavement removal and replacement shall include all costs in connection therewith, including cutting, removal, and disposal of old pavement; construction of new pavement; and all extra compaction effort required for backfill beneath pavement.

8. Traffic Control: Signs and other traffic control devices required for traffic control during construction will be paid for at the lump sum price for traffic control. This item includes the submittal of a traffic control plan.
9. Miscellaneous Concrete: No separate payment shall be made for concrete for encasement or blocking of pipe and fittings or thrust collars at valves not included as parts of manholes and other structures.

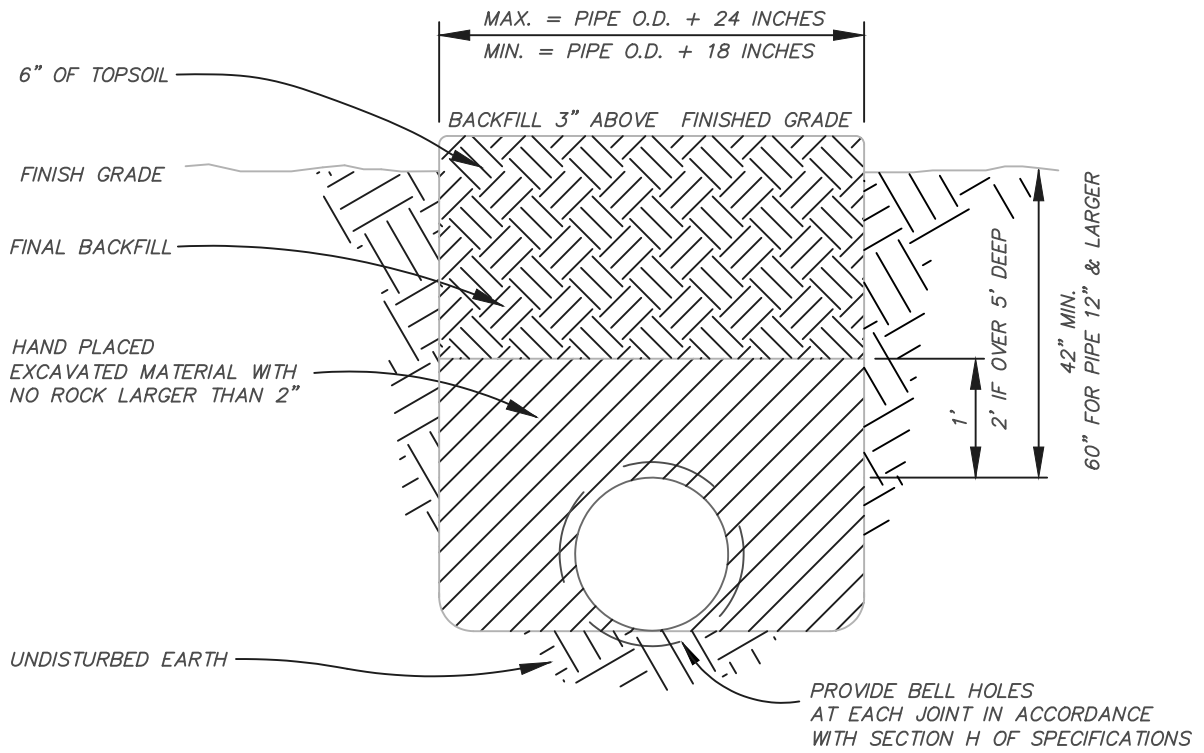
All concrete which is required in connection with manholes or structures, pavement or sidewalk replacement, and other pay items shall be included in the lump sum or unit price bid for the pay item.

10. Cleaning, Pressure and Leak Testing: Will be as specified and will be paid for at the unit price bid. The unit price bid shall include all materials and equipment needed to perform the specified functions including but not limited to pigs and pig assemblies, temporary water supply taps, pumps, gauges, and other testing equipment. It shall be the responsibility of the contractor to ensure the main is properly cleaned by pigging and flushing, that it is pressure and leak tested as required and any repairs made to ensure compliance with the listed allowable leak schedule.
11. Disinfection: If so specified by the City's Engineer, then disinfection will be done in accordance with Section M and will be paid for at the unit price bid. The unit price bid shall include all materials and equipment needed to perform the required functions but is not limited to temporary water supply taps, chlorine, neutralizer, pumps, gauges and other testing equipment. It shall be the responsibility of the contractor to ensure that the main is disinfected and flushed so as to pass the required bacteriological testing all for the unit price bid. No increase in allowances will be made for repeat of any function to ensure compliance with the specifications.
12. Mobilization: Will be specified and paid for at the unit price bid. Payment for mobilization will be released using the following disbursement schedule:
 - a. On the first progress estimate that shows work has been performed on at least one major contract item or after 5% of the original contract amount has been completed exclusive of the mobilization bid item and any payment for material on hand, 50% of the amount bid for mobilization will be paid.
 - b. On the progress estimate that shows 50% of original contract amount has been completed exclusive of the mobilization bid item and any payment for material on hand, the remaining 50% of the amount bid for mobilization will be paid.
13. Materials on Hand: Payment is available for materials on hand upon request of the contractor. Items eligible for payment are unit price bid items including: casing, pipe, fittings, valves, fire hydrant assemblies, and air release manhole assemblies. The contractor shall provide delivery tickets from the supplier depicting the price and quantity for materials delivered to the project site in order to receive payment for materials on hand. The

contractor will not be paid for any materials on hand delivered in excess of the bid quantity. Within 60 days of payment for materials, contractor shall provide paid invoices from supplier for materials previously compensated. Failure to provide paid invoices within 60 days will result in a cease in all payments until such invoices have been provided.

Q. Detail Drawings:

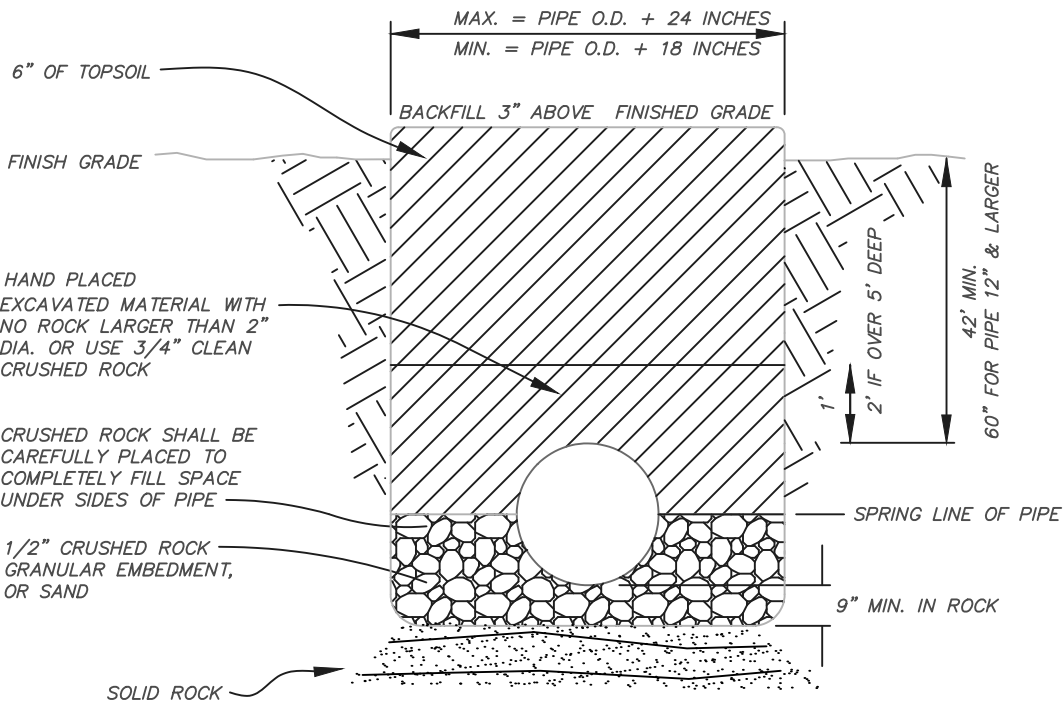
1. Pipe Embedment
2. Pipe Embedment (In Rock)
3. Locator Wire at Valve
4. Valves at Intersections & Branch Lines
5. Thrust Block Detail
6. Thrust Collar Detail
7. Thrust Block at Vertical Bend
8. Typical Installation at Cul-De-Sac
9. Flush Assembly at Dead End Valve
10. Flush Assembly w/ 2" Flush Valve
11. Fire Hydrant Assembly
12. Fire Hydrant Connection
13. Fire Hydrant Connection for Air Release
14. Air Release Manhole Detail
15. Casing Detail
16. Concrete Arch Encasement Detail
17. Concrete Pavement Repair
18. Asphalt Pavement Repair



City of Columbia, Missouri
 Utilities Department - Water & Light

Pipe Embedment Detail

Detail Sheet- Q 01



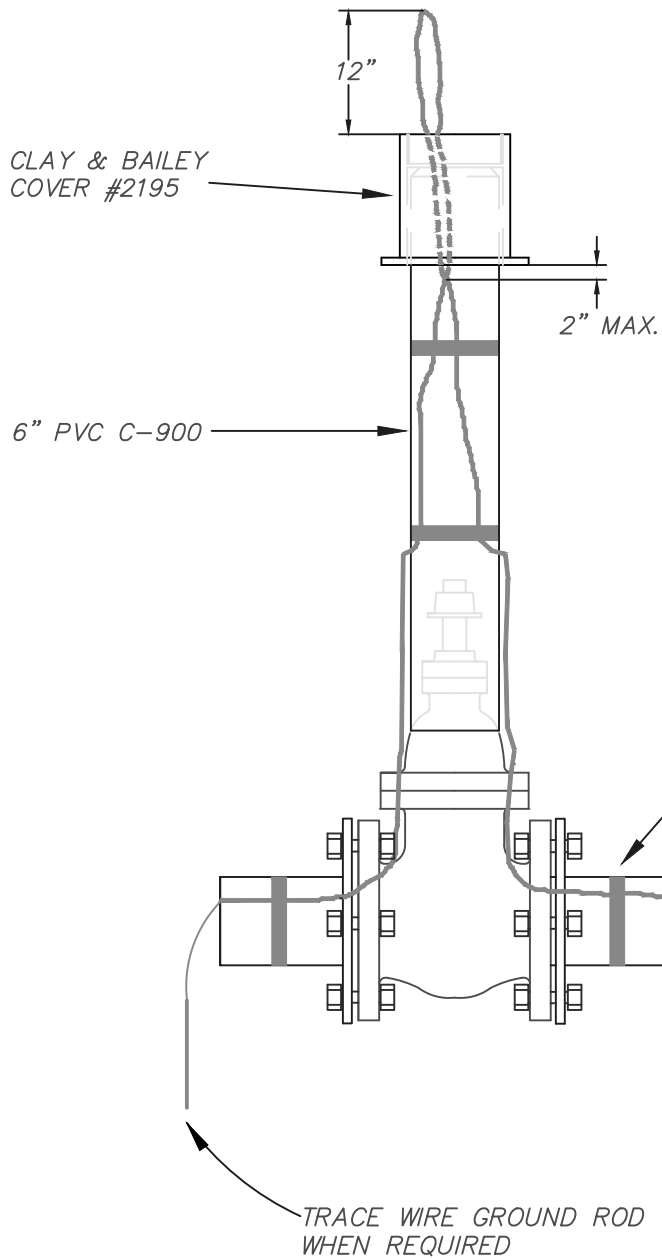
EARTHEN DAMS TO BE PLACED EVERY 100' IN GRANULAR EMBEDMENT/BACKFILL



City of Columbia, Missouri
 Utilities Department - Water & Light

Pipe Embedment Detail In Rock

Detail Sheet- Q 02



WHEN CONNECTING TO EXISTING MAINS WITHOUT TRACE WIRE TRACE WIRE SHALL BE GROUNDED AND LOOPED INTO VALVE BOX THROUGH A HOLE JUST BELOW THE COVER WITH ENOUGH WIRE TO EXTEND 12" ABOVE FINAL GRADE

WHEN CONNECTING TO EXISTING MAINS WITH TRACE WIRE WIRES SHALL BE BONDED UTILIZING A BRANCH CONNECTOR, GROUNDED, AND INSTALLED PER TRACE WIRE SPECIFICATION PROVIDING ACCESS AS REQUIRED



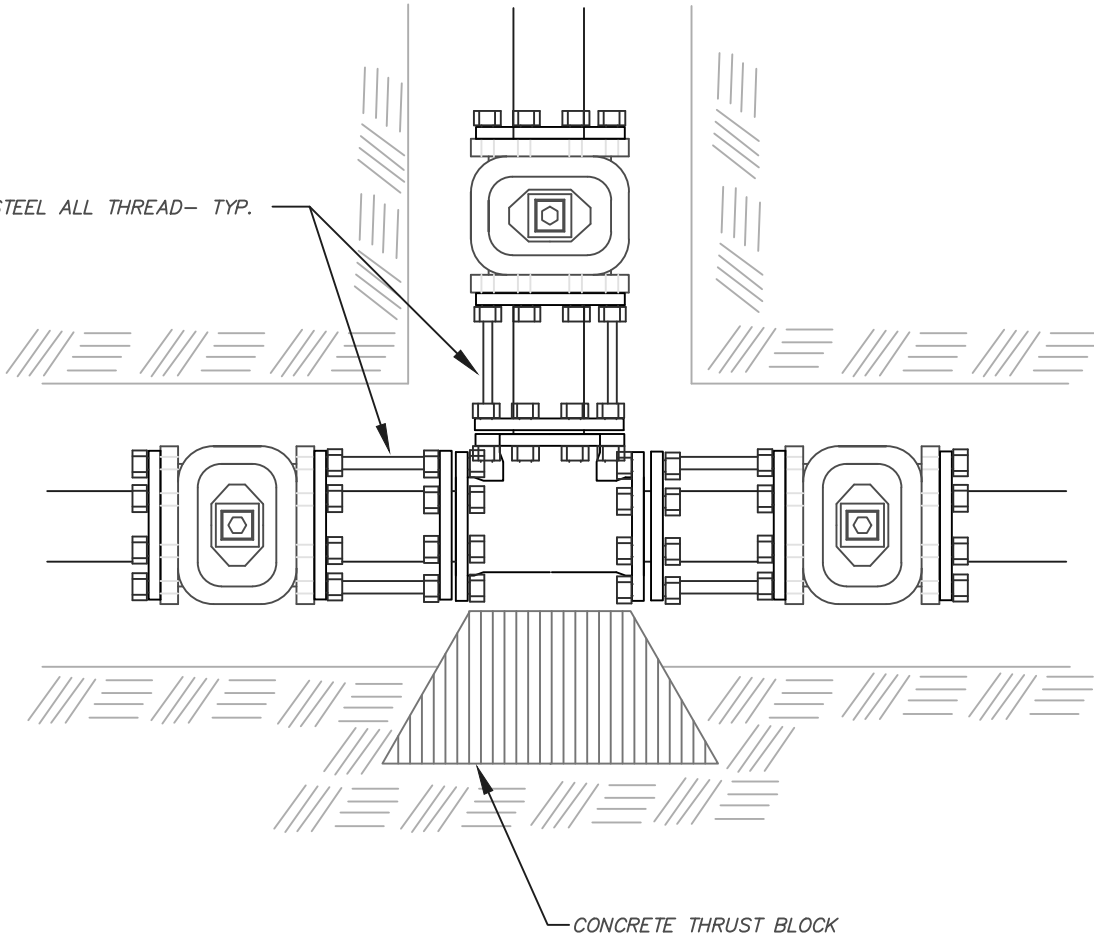
City of Columbia, Missouri
 Utilities Department - Water & Light

Locate Wire At Valve

Detail Sheet- Q 03

RESTRAIN ALL VALVES TO TEES
ALL ANCHORAGE SHALL BE IN ACCORDANCE
WITH SECTION J OF SPECIFICATIONS

STAINLESS STEEL ALL THREAD- TYP.



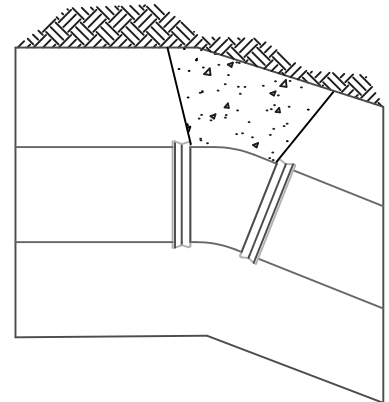
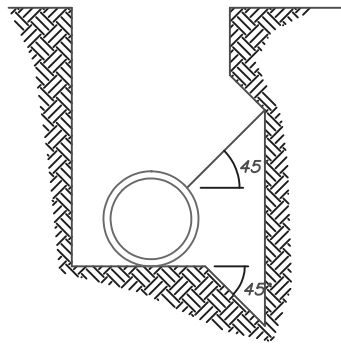
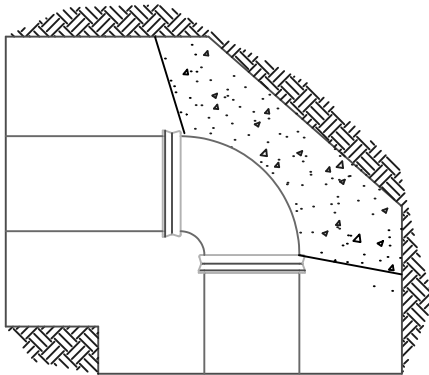
City of Columbia, Missouri
Utilities Department - Water & Light

Valves at Intersections And Branches

Detail Sheet- Q 04

MINIMUM BEARING AREA
ON UNDISTURBED EARTH
IN SQUARE FEET

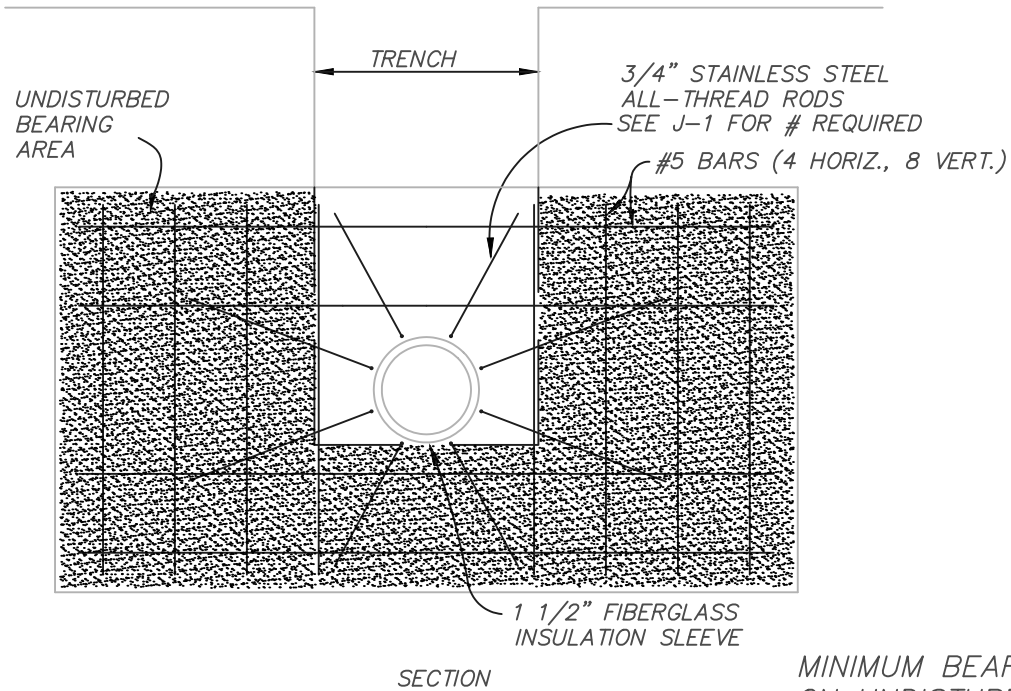
PIPE SIZE	11.25°	22.5°	45°	90°	TEE
6"	1	2	4	7	5
8"	2	3	6	12	8
12"	4	7	14	26	18
16"	6	13	25	46	33
24"	15	31	60	111	78



City of Columbia, Missouri
Utilities Department - Water & Light

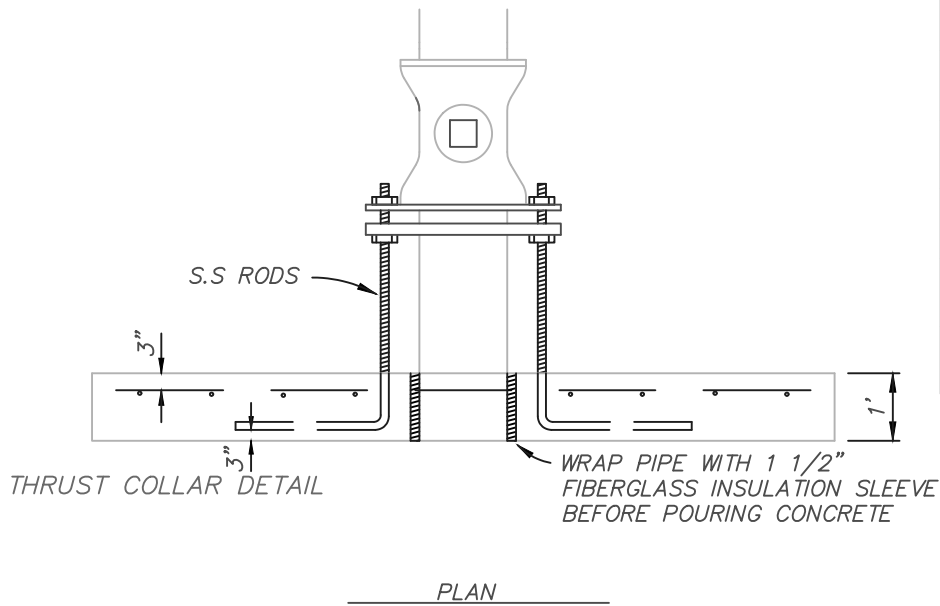
Thrust Block Detail

Detail Sheet- Q 05



MINIMUM BEARING AREA
ON UNDISTURBED EARTH
IN SQUARE FEET

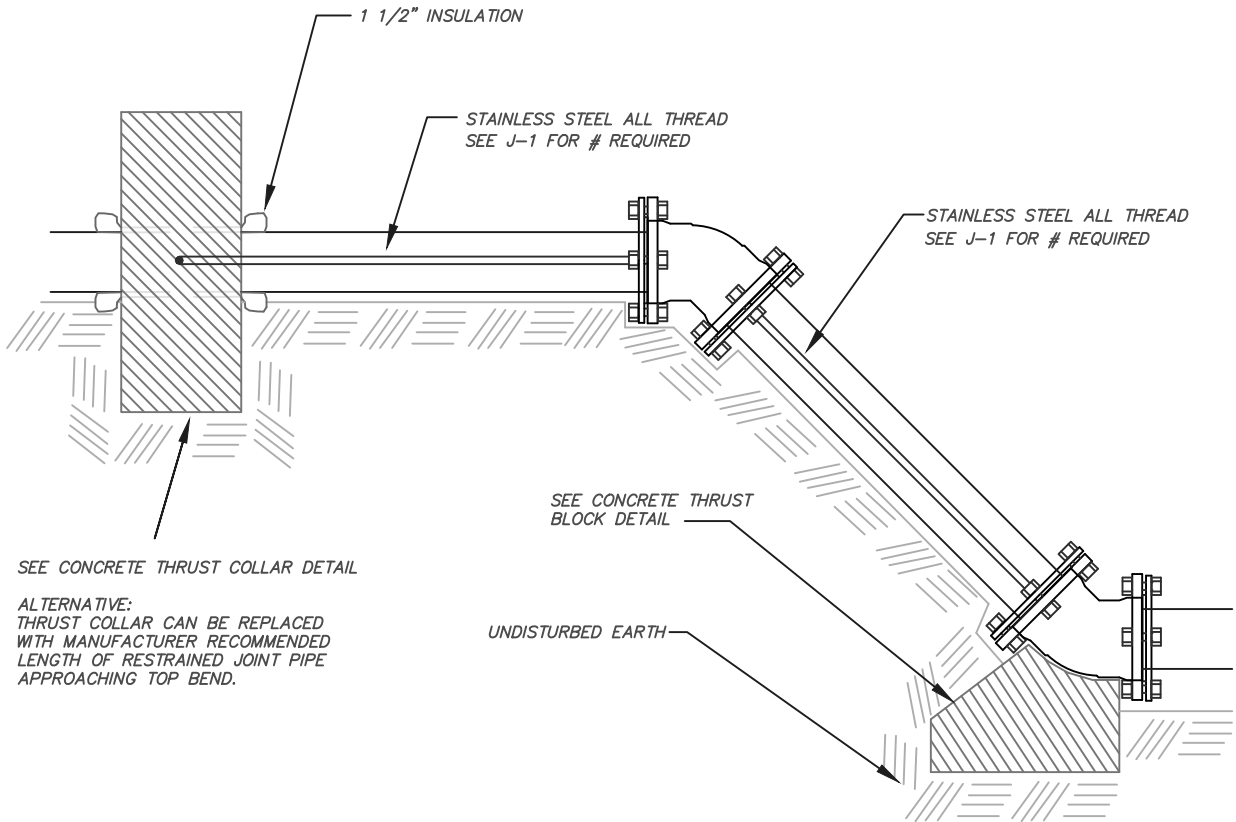
PIPE SIZE	AREA SQ. FT.
6"	5
8"	8
12"	18
16"	33
24"	74



City of Columbia, Missouri
Utilities Department - Water & Light

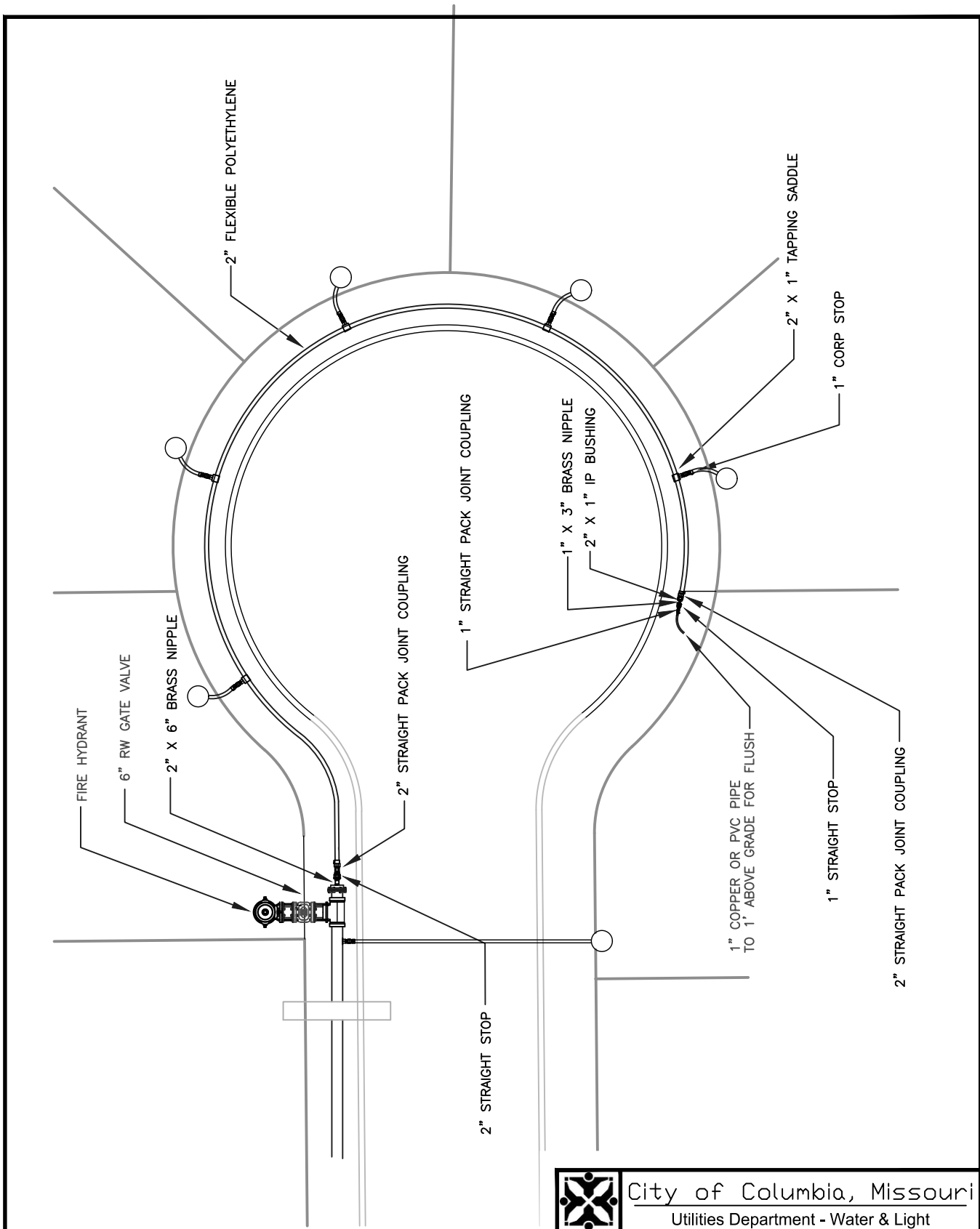
Thrust Collar Detail

Detail Sheet- Q 06



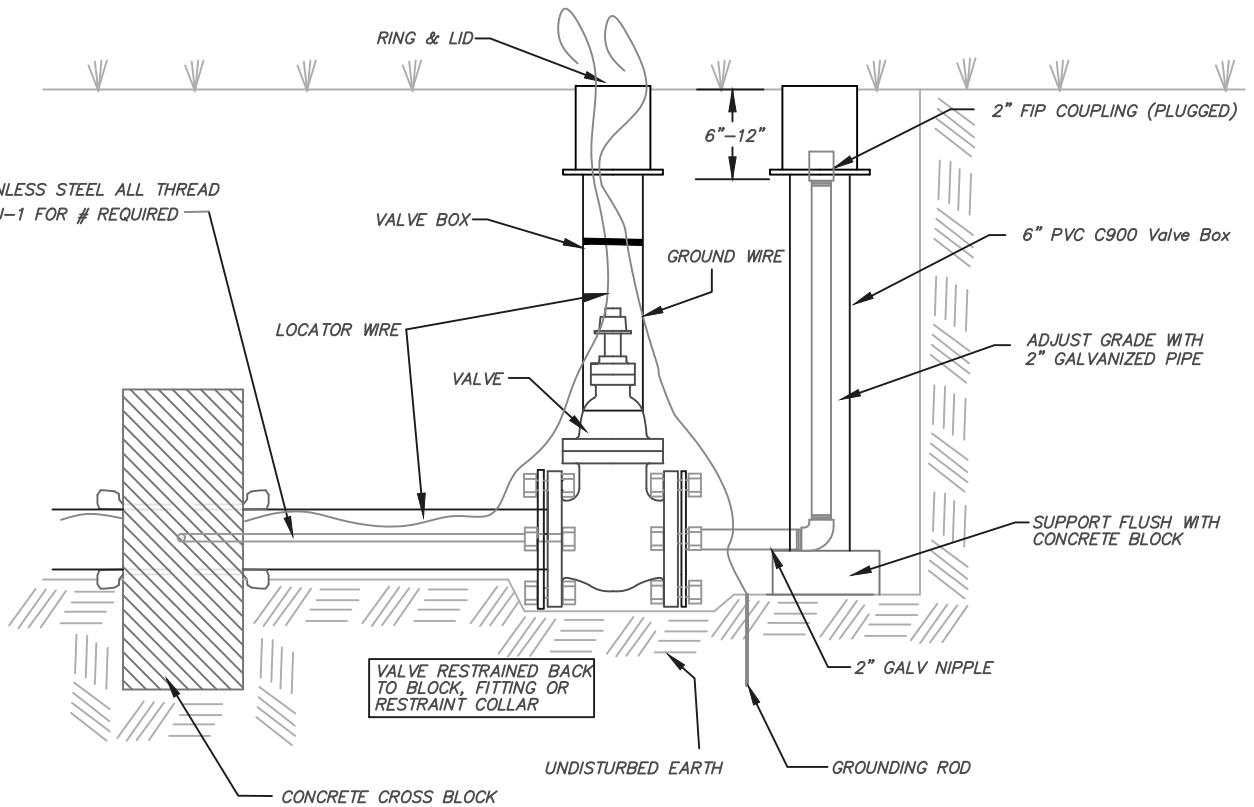
City of Columbia, Missouri
Utilities Department - Water & Light

Thrust Block At Vertical Bend Detail Sheet- Q 07



City of Columbia, Missouri
 Utilities Department - Water & Light

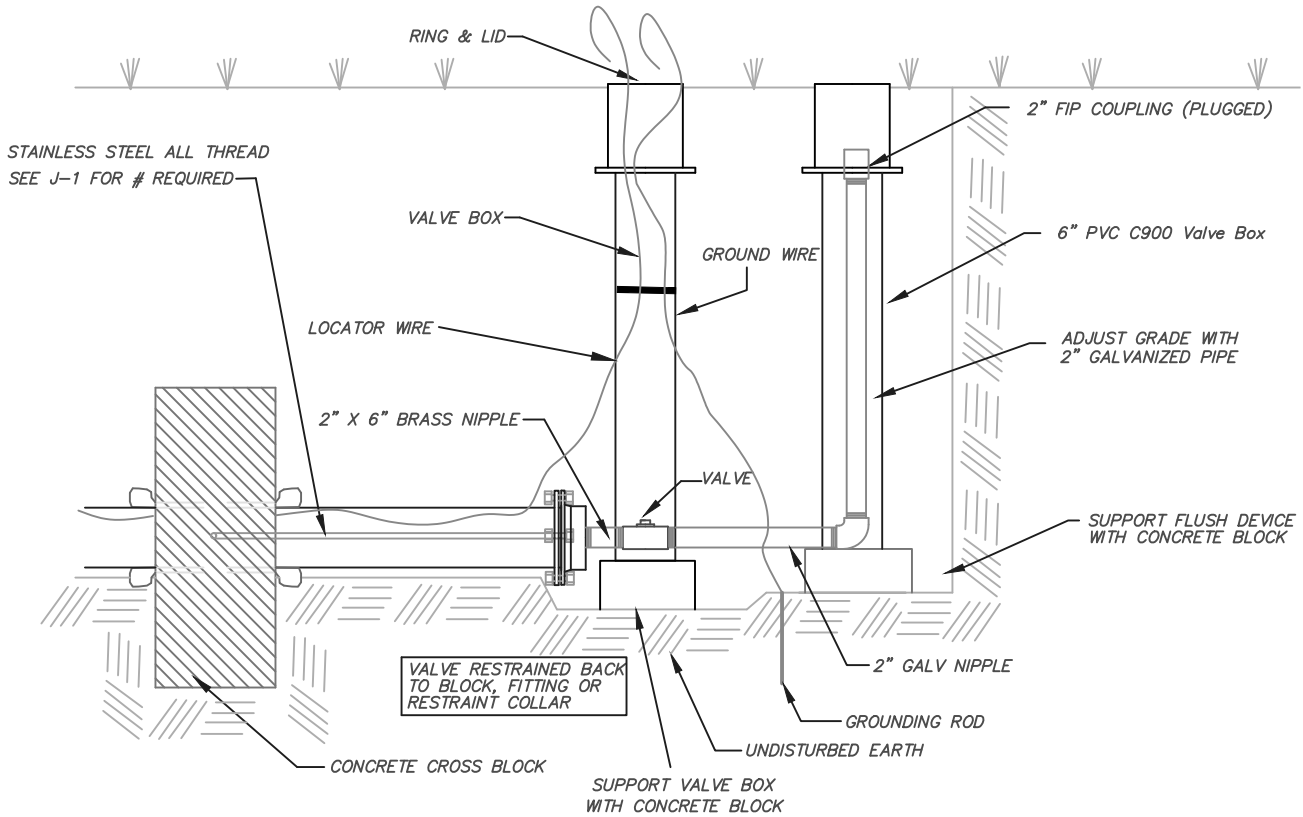
Typical Installation At Culdesac Detail Sheet- Q 08



City of Columbia, Missouri
Utilities Department - Water & Light

Flush at Dead End Valve

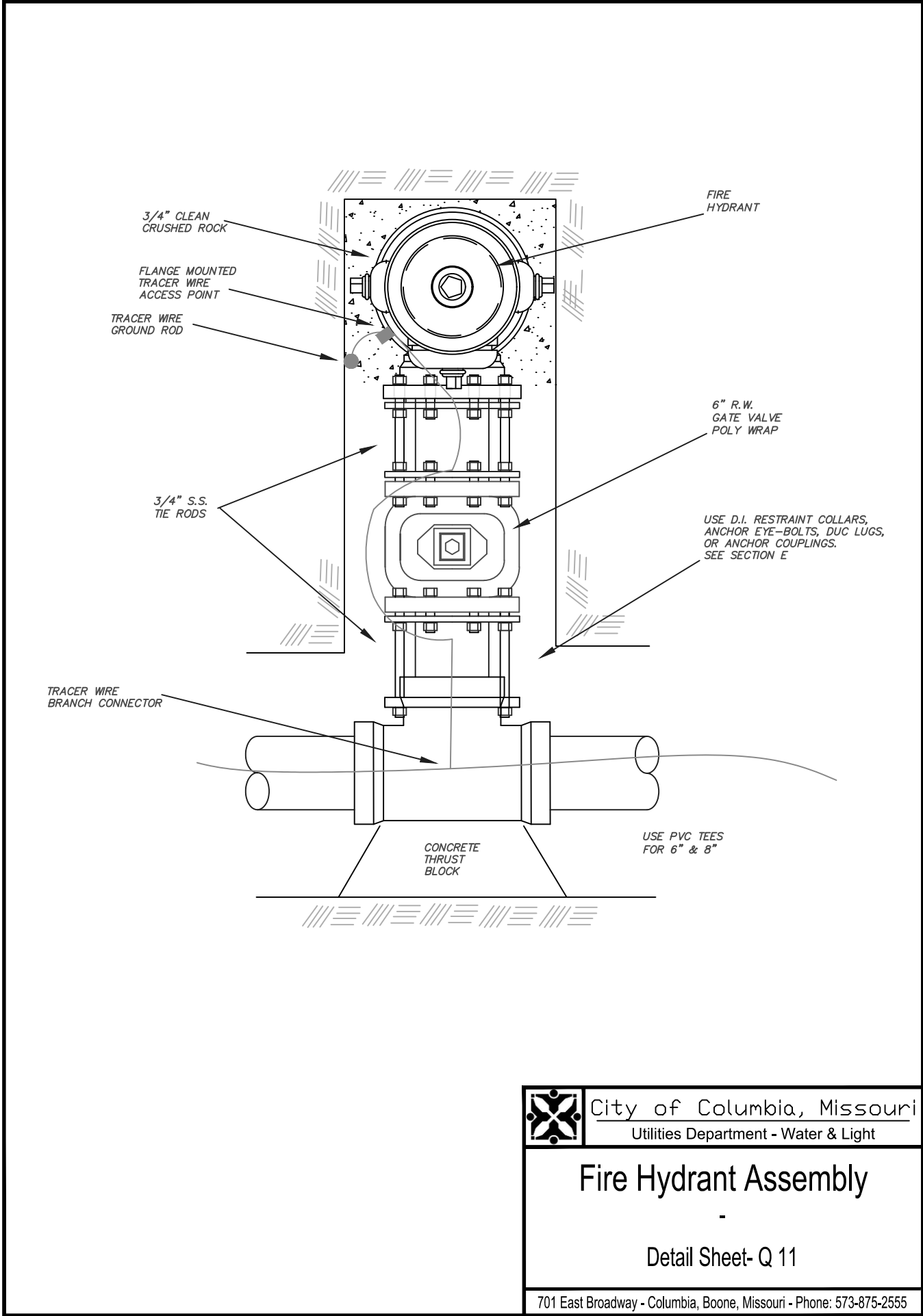
Detail Sheet- Q 09



City of Columbia, Missouri
 Utilities Department - Water & Light

Flush Assembly with 2" Valve

Detail Sheet- Q 10

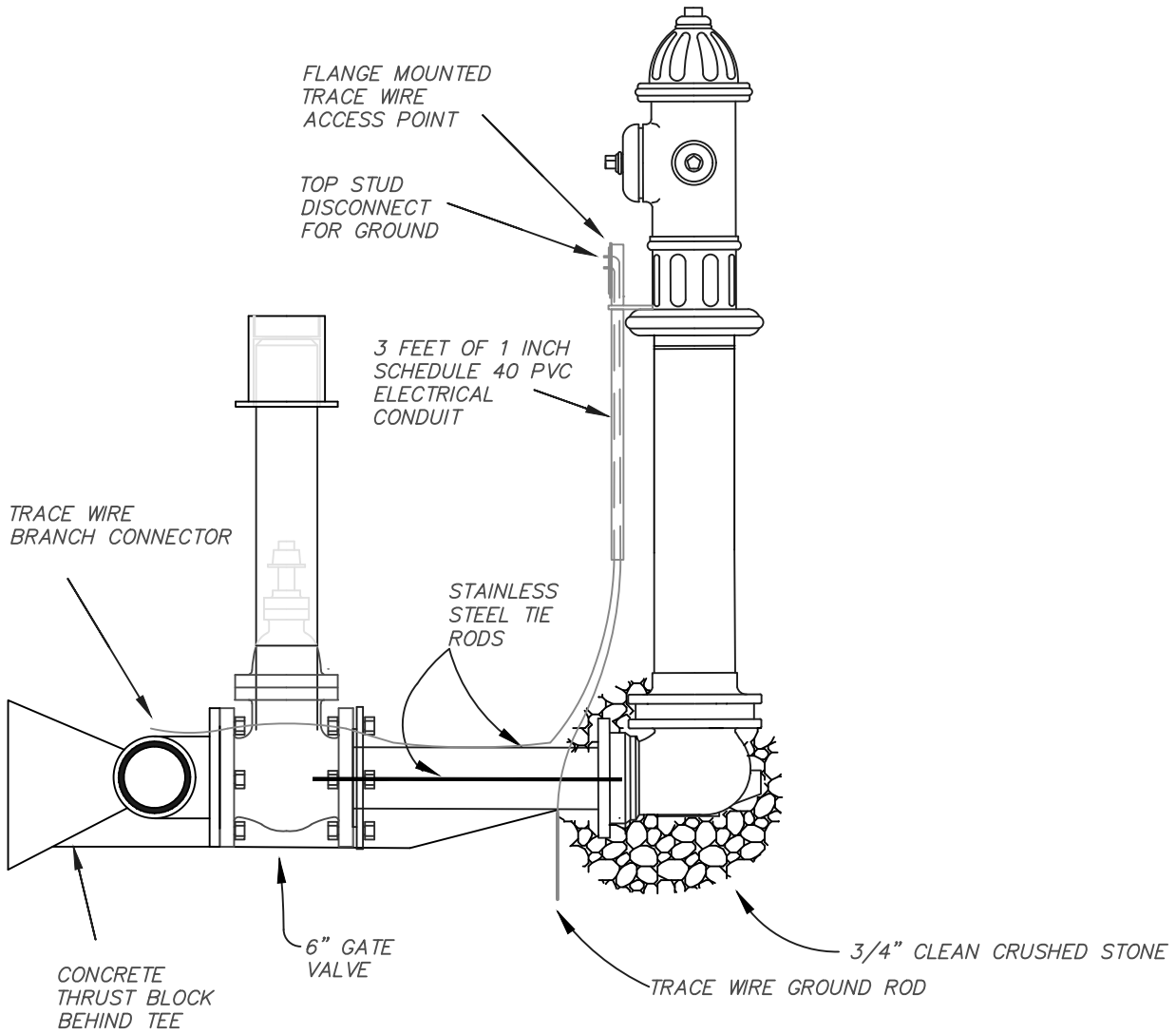



 City of Columbia, Missouri
 Utilities Department - Water & Light

Fire Hydrant Assembly

Detail Sheet- Q 11

NOTE:
CONTRACTOR SHALL PROVIDE &
INSTALL 2" TEMPORARY FLUSH
POINTS AT ALL FIRE HYDRANT
VALVES FOR SAMPLING PRIOR
TO PLACING FIRE HYDRANTS.

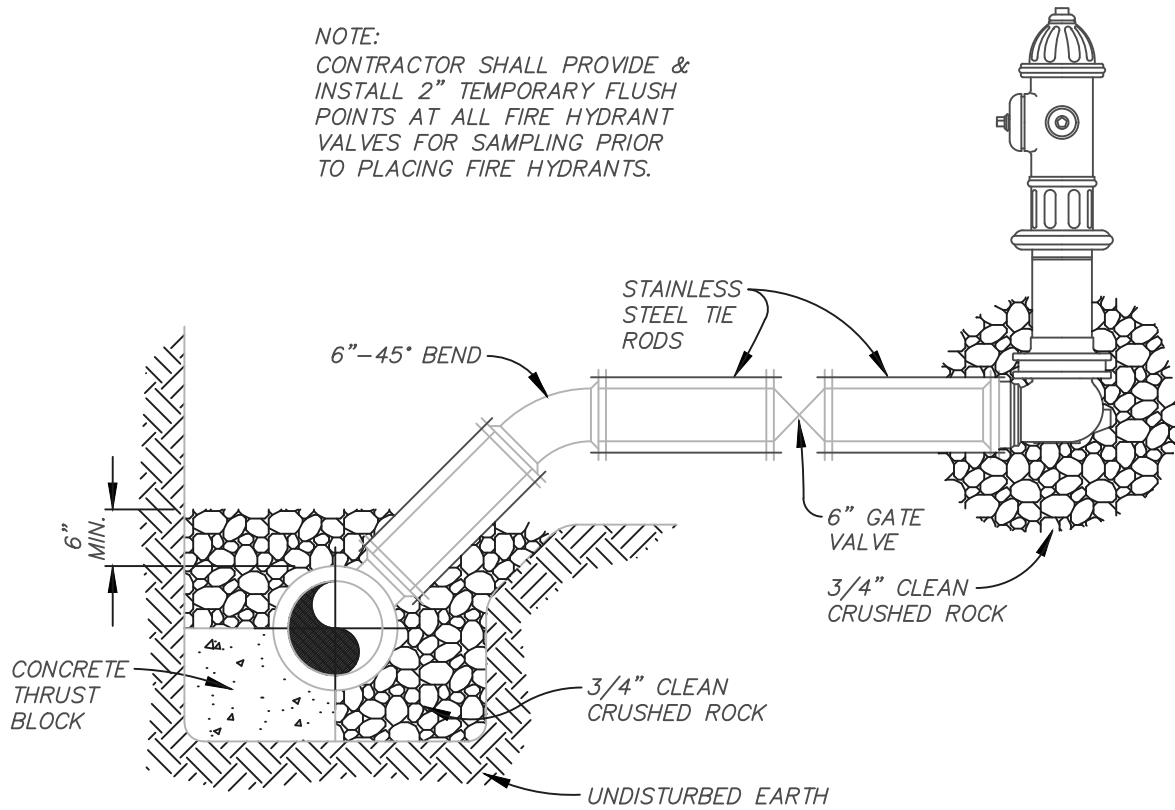


City of Columbia, Missouri
Utilities Department - Water & Light

Fire Hydrant Connection

Detail Sheet- Q 12

NOTE:
 CONTRACTOR SHALL PROVIDE &
 INSTALL 2" TEMPORARY FLUSH
 POINTS AT ALL FIRE HYDRANT
 VALVES FOR SAMPLING PRIOR
 TO PLACING FIRE HYDRANTS.



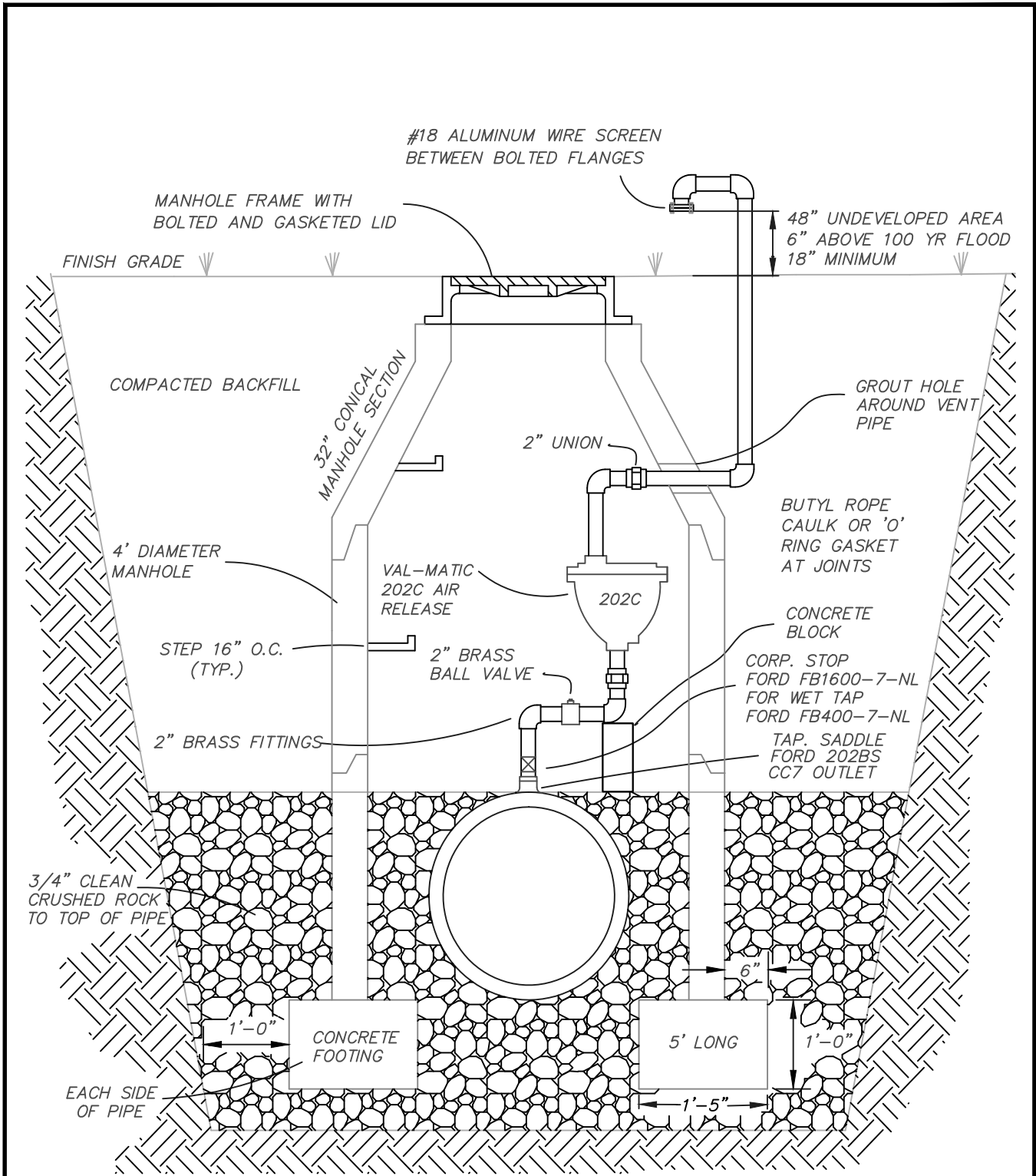
NOTES:

1. FIRE HYDRANT SHALL BE INSTALLED BY THE CONTRACTOR AFTER TESTING IS COMPLETE.
2. PROVIDE COMPACTED 3/4" CLEAN CRUSHED ROCK BETWEEN UNDISTURBED EARTH AND TEE. GRANULAR MATERIAL SHALL EXTEND A DISTANCE OF 5' EACH SIDE OF THE CENTERLINE OF THE TEE.



City of Columbia, Missouri
 Utilities Department - Water & Light

Fire Hydrant Connection
 For Air Release
 Detail Sheet- Q 13

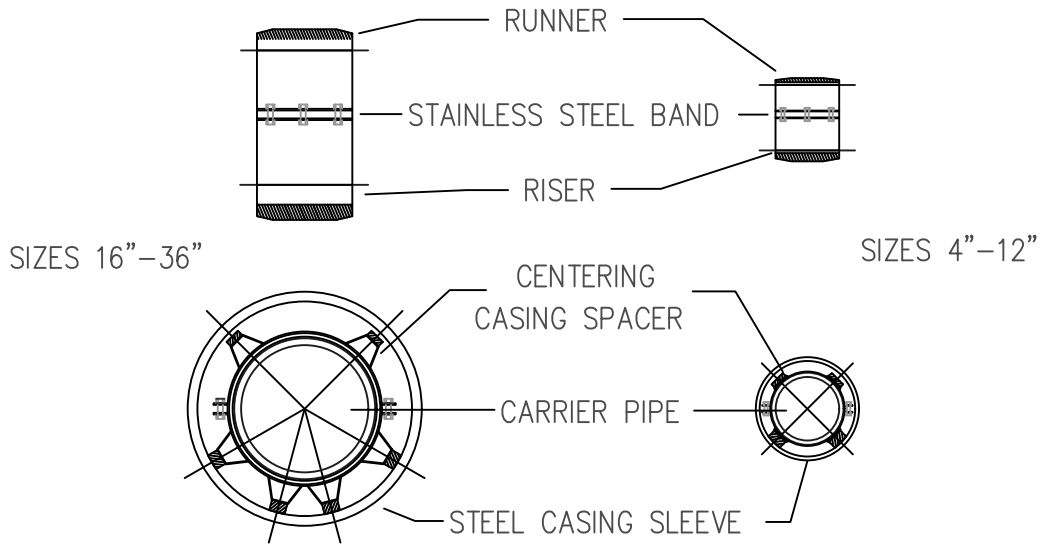


City of Columbia, Missouri
 Utilities Department - Water & Light

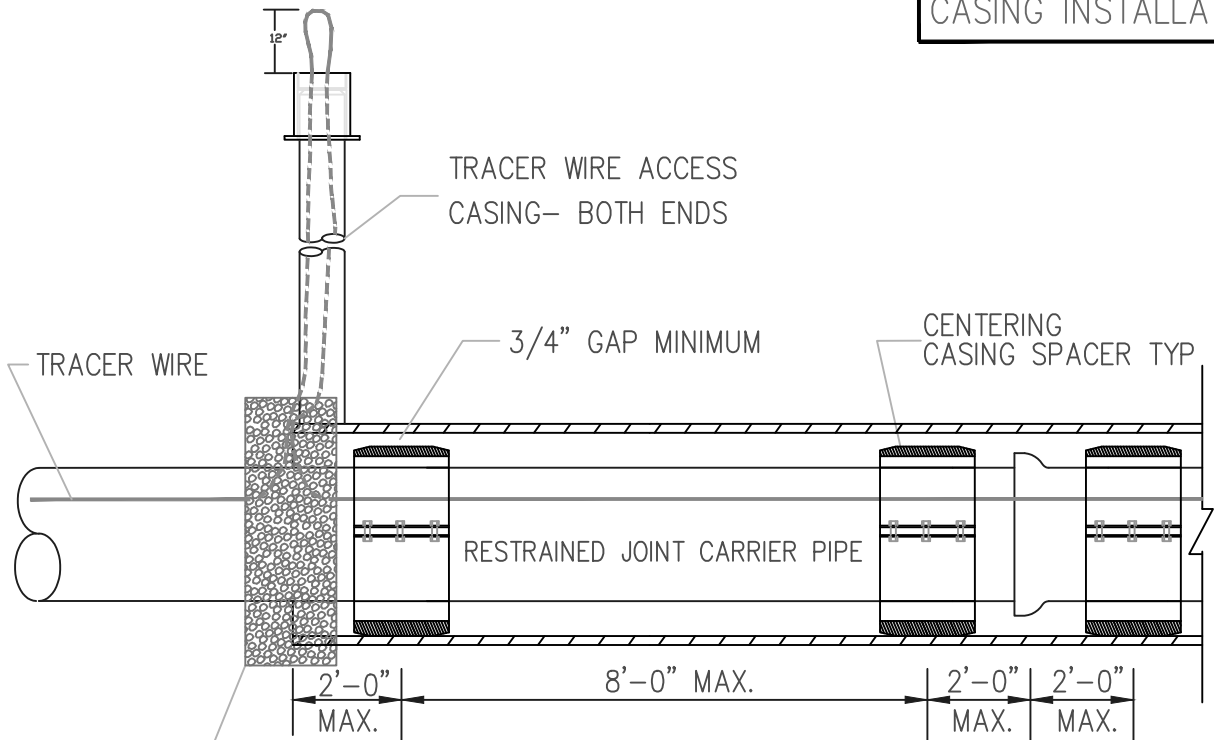
Air Release Manhole Detail

Detail Sheet- Q 14

SPACER DETAIL



CASING INSTALLATION



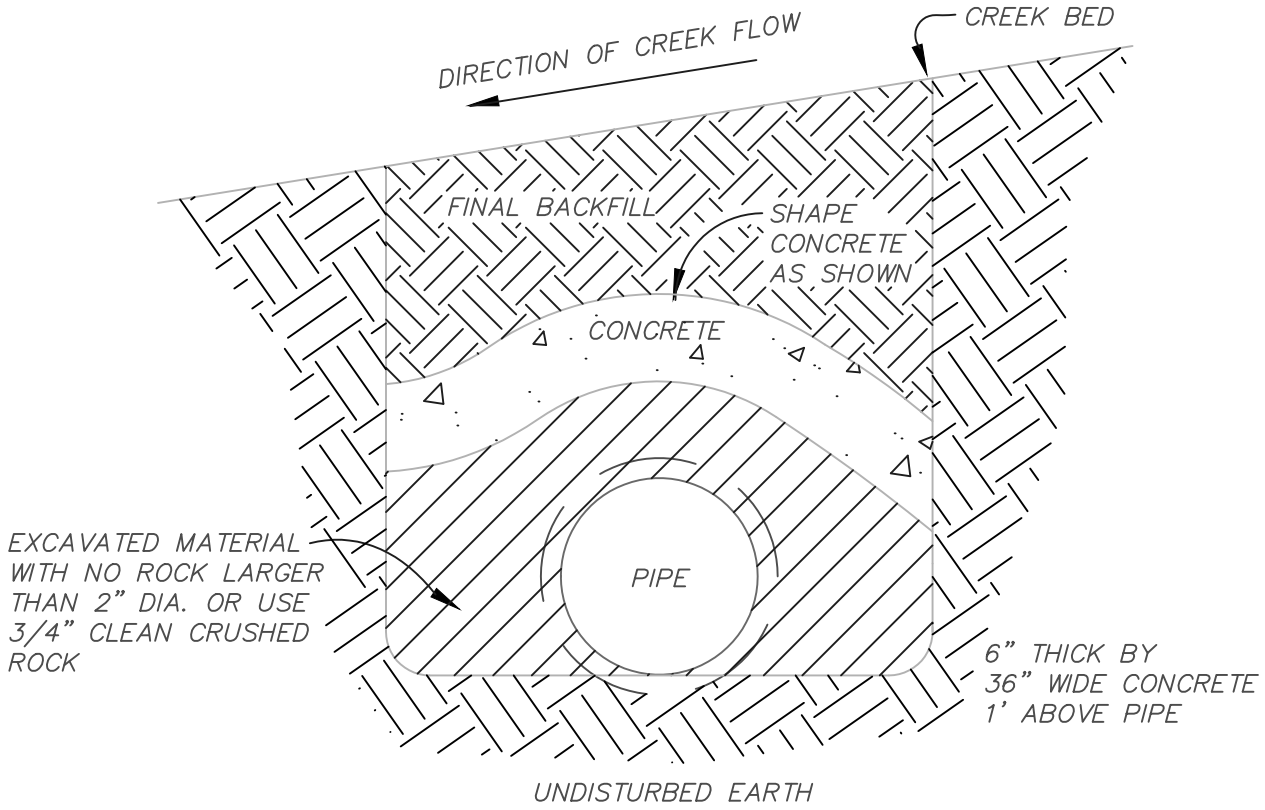
BULK HEAD- BOTH ENDS
 RUBBER BOOT ACCEPTABLE FOR PVC CARRIER PIPE



City of Columbia, Missouri
 Utilities Department - Water & Light

Casing Detail

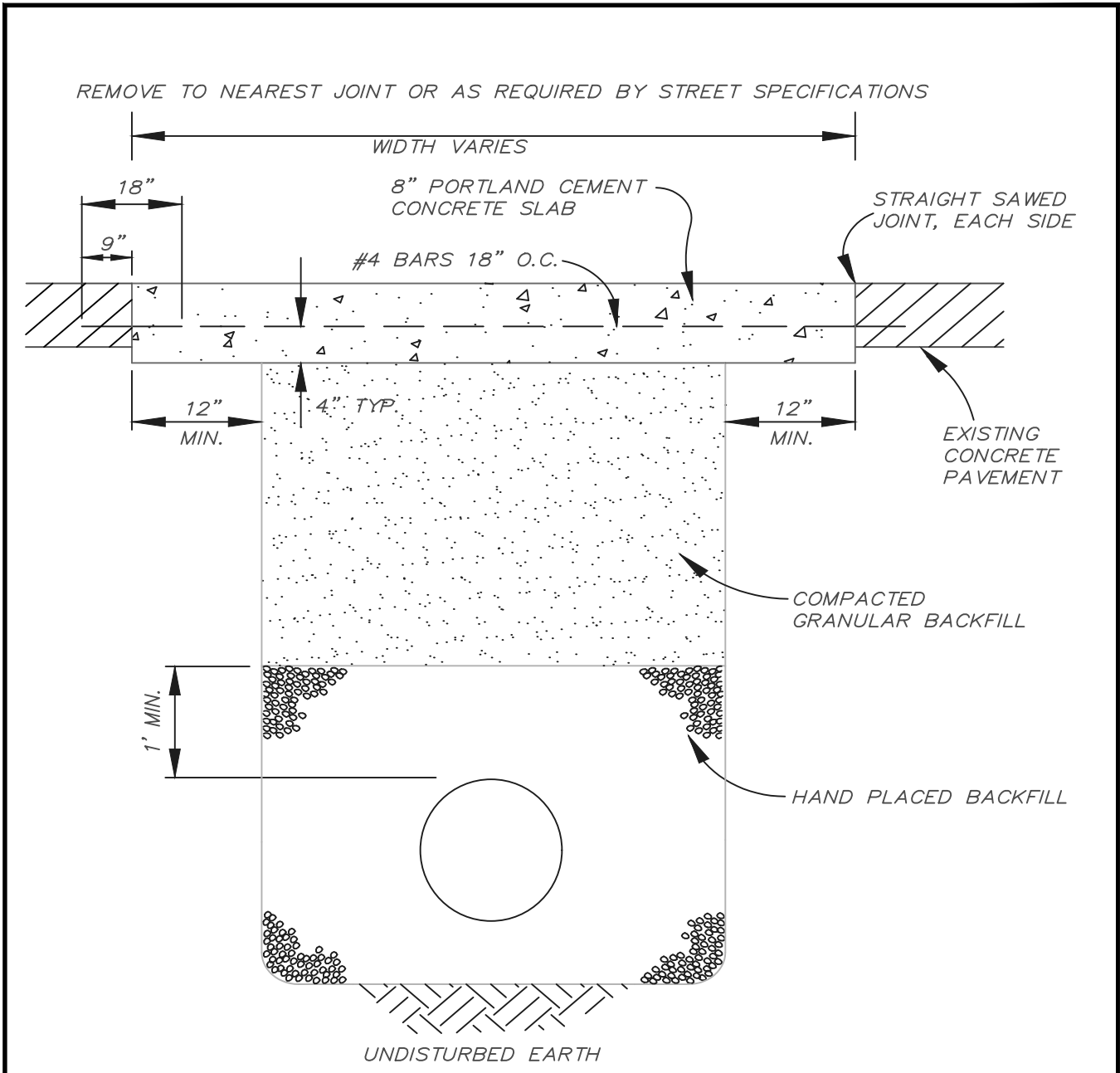
Detail Sheet- Q 15



City of Columbia, Missouri
 Utilities Department - Water & Light

Concrete Arch Encasement

Detail Sheet- Q 16



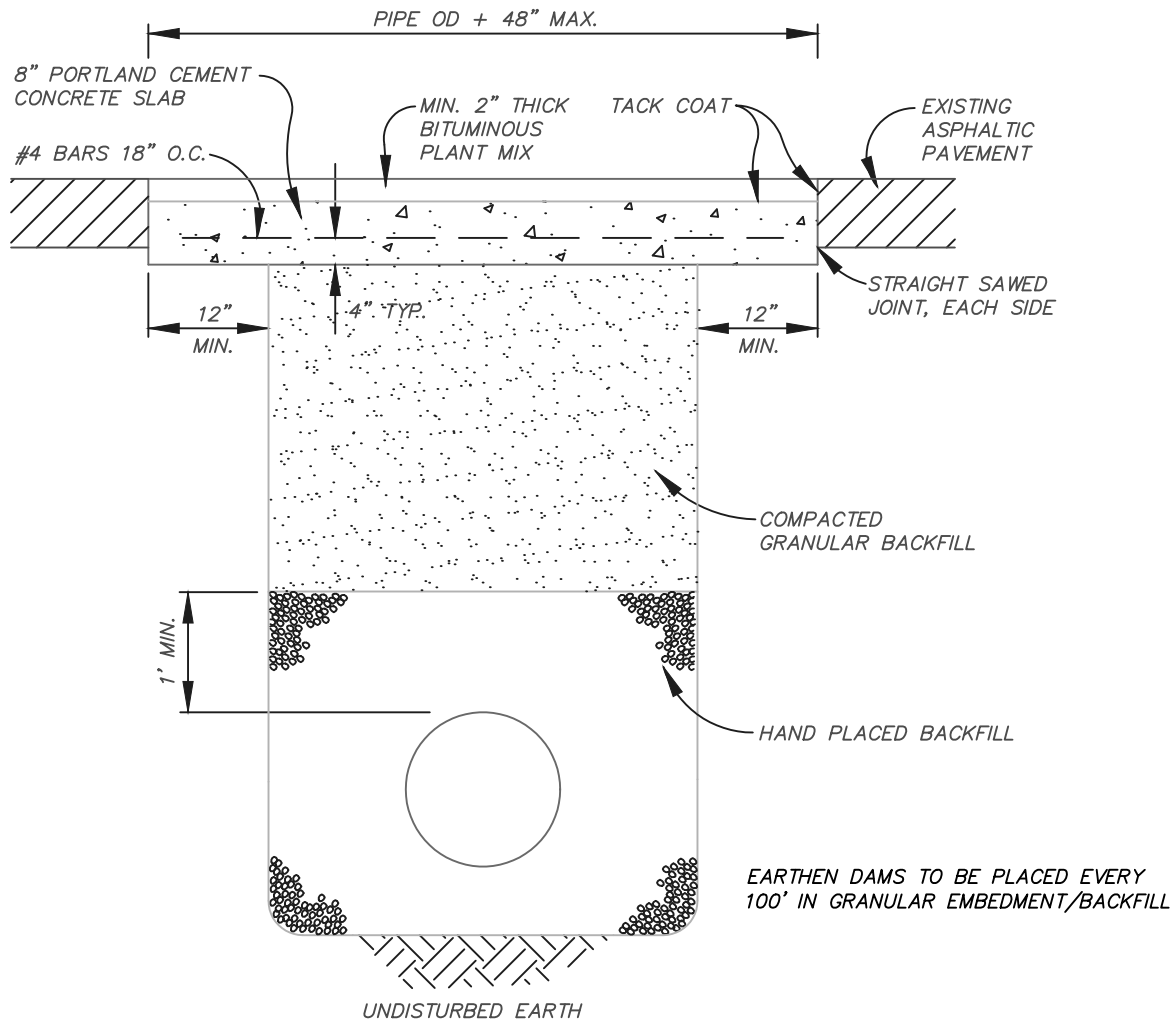
- RESTORE ORIGINAL SAW JOINT PATTERN.
- ALL JOINTS SHALL BE SEALED. SEE CITY OF COLUMBIA STREET SPECIFICATIONS.

- EARTHEN DAMS TO BE PLACED EVERY 100' IN GRANULAR EMBEDMENT/BACKFILL

 City of Columbia, Missouri
Utilities Department - Water & Light

Concrete Pavement Repair

Detail Sheet- Q 17



City of Columbia, Missouri
 Utilities Department - Water & Light

Asphalt Pavement Repair

Detail Sheet- Q 18



New Haven & Rte. 63-AC Sanitary Sewer Relocation Project Technical Specifications

		
City of Columbia, MO 701 E Broadway P.O. Box 6015 Columbia, MO 65205 (573) 441-5530	Webster L. White Registered Professional Engineer PE-2011015820	
Approved By: 		09/08/2024
Engineering Manager		Date

CITY OF COLUMBIA TECHNICAL SPECIFICATIONS

MoDOT, Boone, Route AC Interchange Improvement Project, J5P3433

Sanitary Sewer Relocations

INDEX

Technical Specification Number and Title.....	Page
TS-1 General.....	2
A. Construction Prosecution and Progress.....	2-6
B. Measurement and Payment.....	6-9
TS-2 Traffic Control.....	9-10
TS-3 Erosion Control.....	10-12
TS-4 Removals.....	12-14
TS-5 Tree Removal, Clearing and Grubbing.....	14-16
TS-6 Easements and Rights-of-Way.....	16
TS-7 Excavation and Trenching.....	16-18
TS-8 Sanitary Sewer Pipe.....	18-21
TS-9 Sanitary Sewer Bores.....	21-28
TS-10 Sewer Structures (Manholes).....	28-30
TS-11 Connection to Existing Sewer.....	30
TS-12 Seeding and Mulching.....	31
TS-13 Pavement Removal, Repair and Restoration.....	31-33
TS-14 Construction Staking.....	34

TS-1 GENERAL

The proposed sanitary sewer relocations are part of the MoDOT, Route AC (Rte. 63/AC, New Haven Rd.) Interchange Improvement Project No. J5P3433. All sanitary sewer work performed in relation to this project shall be in accordance with the “City of Columbia, Missouri Street, Storm and Sanitary Sewer Specifications and Standards” (Current edition) (abbreviated as City Specs and Standards), the Sanitary Sewer Relocation Plans, and this Technical Specification, unless noted otherwise.

There are some work items for the sanitary sewer relocations that are related or overlap with MoDOT’s roadway improvements. These specifications identify those work items (i.e., erosion control, tree removal, pavement restoration, etc.) and reference the MoDOT standard plans and standard specifications.

A copy of the City Specs and Standards may be obtained at the following City website location:

<https://www.como.gov/public-works/engineering/>

Then, click on Plans, specs and permits

Then, under Street, Storm Drain and Sanitary Sewer Specifications and Standards, Click on Complete Manual, Addendums Added, and the next link will come up:

<https://www.como.gov/wp-content/uploads/2020/10/Columbia-Street-Storm-Drain-and-Sanitary-Sewer-Standards-Specifications.REV-July-2020.pdf>

The sanitary sewer relocation plans and these technical specifications shall take precedence over the City standard specifications whenever any disagreement exists.

If not stated, add the words “or approved equal” at the end of any paragraph or sentence containing a reference to a specific product manufacturer.

A. CONSTRUCTION PROSECUTION AND PROGRESS

1. Point of Contact: Contractor shall establish a Project Manager who will act as the single point of contact for the duration of the sanitary sewer relocation project. The Project Manager shall be onsite and/or stationed within the City limits while work is being performed. This includes all phases of work, including any work being performed by Subcontractors. The Project Manager shall keep the City of Columbia Engineer (hereinafter Engineer) informed of sanitary sewer relocation project progress and be readily available to address any issues that may arise during the course of the project.
2. Complaints: Contractor shall see that complaints of any nature received from property owners, agents, or public authorities receive immediate attention, and that all efforts shall be made for a prompt adjustment. All complaints,

and any action taken by Contractor in connection with such complaints, shall be reported to the City in writing.

3. Construction Procedure

- a. City and Contractor shall follow established policies of the industry to give quality of construction in accordance with the Contract requirements and best modern practice.
- b. Private Service Lateral Work Procedure
 - i. Private Service Lateral Work is not anticipated on this Sewer Relocation Project. In the event private service lateral(s) is/are encountered, the Contractor shall follow this procedure. The Contractor shall not dig on private property without written City documentation and approval. The construction plans would be an approved document as long as the lateral is within the given temporary construction easement (TCE).
 - ii. Within the City service area, individual property owners own their particular service lateral including the connection at the public sanitary sewer main/system.
 - iii. A minimum of two (2) weeks prior to the desired start date, the Contractor shall provide the property owners in the area with written notice of the intended start date.
 - iv. Upon written consent, the Contractor shall notify the property owner of service lateral televising and locating work a minimum of 48 hours prior to initiating work through the use of a door hanger notice.
 - v. If an unscheduled cleanout installation or point repair is necessary to televise or locate a service lateral, the Contractor shall notify the City and request further direction before proceeding with service lateral work on the property.
 - vi. Provide at least 24 hours (but not more than 72 hours) notice to all affected property owners whenever their sanitary service connection will be taken out of service due to private sewer construction. Notification may be made via door hanger notices or verbal communication at the Contractor's discretion. No property shall be without service for longer than 4 hours.
 - vii. Provide 72 hour notice to all affected property owners whenever their driveway access will be disrupted due to private sewer construction. Notification may be made via door hanger notices or verbal communication at the Contractor's discretion.

c. Public Sewer Work Procedure

- i. Contractor shall notify property owners affected by any public sewer construction and service lateral reinstatement, a minimum of 14 calendar days in advance of mobilization to the site by a door hanger notice or letter.
- ii. Provide at least 24 hours (but not more than 72 hours) notice to all affected property owners whenever their sanitary service connection will be taken out of service due to public sewer construction. Notification may be made via door hanger notices or verbal communication at the Contractor's discretion. No property shall be without service for longer than 4 hours.
- iii. Provide 72 hour notice to all affected property owners whenever their driveway access will be disrupted due to public sewer construction. Notification may be made via door hanger notices or verbal communication at the Contractor's discretion.

d. Notification and Communication Documentation

- i. The City or MoDOT Project team can provide available property owner contact information to the Contractor.
- ii. The Contractor shall include total cost for printing and distribution of door hanger notices and other written correspondence to property owners.
- iii. The Contractor shall maintain a property owner notification log for the sanitary sewer relocation work and make it available to the City at all times. The log shall list, at a minimum, property address, date of notification(s), type of notification (e.g., door hanger), and reason for notification (e.g., service lateral televising). A log of sanitary sewer service or driveway access disruption notifications is not required.
- iv. Communication between the Contractor and any property owner that will impact the sanitary sewer relocation work shall be documented and provided to the City regularly. Documentation shall include property address, date of communication, property owner name, and summary of communication.

4. Construction Schedule

- a. Before sanitary sewer relocation work commences, the Contractor shall prepare a detailed project schedule of sanitary sewer construction

operations that shall indicate the sequence of the work, including by-pass pumping, to be performed and also the intended start date and completion time for each phase of work. The schedule shall be submitted to the City for approval.

- b. Working Hours: Working hours are limited to the days and times listed in the City of Columbia Code of Ordinances Section 16-265.
 - c. Work Schedule: The Contractor shall maintain a weekly work schedule and update on a daily basis so as to advise the City of the location and the type of construction work to commence.
5. Dimensions and Elevations: Contractor shall field verify all dimensions and elevations that are required for construction. If any discrepancies are found, the Contractor shall promptly notify the Engineer and receive clarification prior to any work commencing.
 6. Shop Drawings: Shop drawings shall be submitted in accordance with requirements of the specifications here within. Engineer will review shop drawings submitted by the Contractor as required by the construction contract documents. Engineer's review shall be for general conformity to the construction contract documents and shall not relieve the Contractor of any of the Contractor's contractual responsibilities. Such reviews shall not extend to means, methods, techniques, sequences, or procedures of construction or to safety precautions and programs incident thereto.
 7. Losses From Natural Causes: All loss or damage arising out of the nature of the work to be done, or from the action of the elements, or from floods or overflows, or from ground water, or from unusual obstructions or difficulties, or any other natural or existing circumstances either known or unforeseen, which may be encountered in the prosecution of the said sanitary sewer relocation work shall be sustained and borne by the Contractor at his own cost and expense.
 8. Unfavorable Construction Conditions: During unfavorable weather, or other unfavorable conditions for construction operations, the Contractor shall pursue only such portions of the work as will not be damaged thereby. No portions of the work, the satisfactory quality or efficiency of which will be affected by any unfavorable conditions, shall be constructed while these conditions exist, unless by special means or precautions approved by the City's Representative that allow the Contractor to perform the work in a proper and satisfactory manner.

9. Protection And Maintenance Of Public Property

- a. Before commencing work, the Contractor shall notify all utilities involved and shall request their cooperation in locating utility lines in advance of the sanitary sewer relocation work. The utility shall be notified immediately should a break occur in a line during construction under this contract. Any lines so broken by the Contractor shall be repaired at the expense of the Contractor.
- b. Wherever construction is performed along existing pavement which is to be retained, traction equipment with lugs will not be permitted. The Contractor shall use utmost care not to damage or destroy any existing pavement. Any pavement damaged or destroyed due to the operations of the Contractor shall be replaced in accordance with MoDOT project plans, standard plans, and standard specifications.
- c. The Contractor shall be held responsible for all damage to roads, highways, shoulders, ditches, bridges, culverts, and other property caused by the Contractor or subcontractors in the transporting of materials to or from the site of work, regardless of the location of such damage, and shall pay for or replace such damaged property to the satisfaction of the City and the owner of such property.
- d. The Contractor shall exercise care to prevent damage to existing roads, structures, and underground utilities adjacent to construction. Any damage resulting from the Contractor's operations or operations of subcontractors shall be restored or replaced at the Contractor's expense.

10. Storage Space: The Contractor shall provide storage for material and shall have someone available to receive all materials and equipment delivered to the site of the work by truck. The Contractor shall cooperate with the City to the fullest extent to maintain the storage yard in a neat and orderly manner. Particular care shall be taken to avoid damaging structures, curbs and sod.

B. Measurement and Payment

1. Payment shall be to the Contractor for work completed in accordance with the MoDOT contract documents, bid items and unit prices, City Sanitary Sewer Relocation Plans, the City Specs and Standards, and this Technical Specification.
2. The construction cost of all sanitary sewer relocation work included in the contract documents, as defined on the plan sets and in these detailed specifications, shall be included in the Contractor's unit prices set forth in the proposal. The unit price for each of the items in the Contractor's proposal shall include its pro rata share of overhead so that the sum of the products

obtained by multiplying the unit price so set forth by the amount of work as actually constructed shall constitute full payment to the Contractor for performance of the work included in this section of the specifications.

3. The unit prices set forth in the Contractor's proposal shall include, but not be limited to: full compensation for all supervision, testing, labor, materials, and equipment required in furnishing, installing the main sewer and service lateral pipe, manholes and cleanouts, complete in place, as well as payment for mobilization; temporary facilities, including temporary fencing; all erosion control materials and installation; all clearing and grubbing; trench excavation; rock excavation; embedment; backfill, granular trench backfill; disposal of excavated material not used as backfill; hauling; dewatering as required; by-pass pumping; compaction; granular backfill material or concrete required by trench widths exceeding the maximum allowable trench width for any pipe as shown on the plans; concrete encasement as indicated on the plans; concrete caps; abandonment of existing sewer pipe and sewer manholes; flowable backfill, grout, or sand backfill; steel casing; sanitary sewer bores; impervious ditch checks as indicated on the plans; existing utility removal, replacement and relocation; traffic control; surface restoration; replacement of unsuitable pipe foundation material; creek crossing; driveway, sidewalk, curb and gutter, and pavement removal; rip rap; fence repair and replacement; tree removal and saving; and sodding, seeding and mulching required therewith.
4. Adequate cleanup, traffic control, erosion control device installation and maintenance, and maintenance of record drawings shall be conditions for recommendation of progress payment applications.
5. The Contractor shall accept the compensation, as provided in the Contract, as full payment for furnishing all materials, labor, tools, and equipment necessary to the completed work and for performing all work contemplated and embraced under the Contract; also, for loss or damage arising from the nature of the work, from the action of the elements, or from any unforeseen difficulties which may be encountered during the prosecution of the work until the final acceptance by the City or MoDOT, and for all risks of every description connected with the prosecution of the work; also, for all expenses incurred in consequence of the suspension or discontinuance of the work as specified in MoDOT contract documents; and for completing the work according to the plan sets and technical specifications.
6. Quantities used for progress estimates shall be considered only as approximated and provisional, and shall be subject to recalculation, adjustments and correction by the City or MoDOT in current and subsequent progress estimates and in final estimates. Inclusion of any quantities in progress estimates, or failure to disapprove the work at the time of progress estimates, shall not be construed as acceptance of such work or materials.

7. The Engineer may make alterations or additions to the scope of work as described in the Contract. Alterations shall affect compensation only as to quantities, and not as to bid prices. Where work is added or deducted for which there is no bid price, the Engineer, MoDOT, and Contractor shall agree in writing before the work is commenced upon a fair unit price or sum for the work item.
8. The Contractor shall, when directed by the Engineer or MoDOT, perform extra work for which there is no quantity and price included in the Contract, or where necessary to complete the work contemplated. Extra work shall be done in accordance with the MoDOT Contract documents. Payment for extra work will be based upon unit prices or sums previously agreed upon in writing by the parties to the Contract or where such prices or sums cannot be agreed upon, the work shall be done upon a force account basis if so ordered by MoDOT.
9. Measurement and payment for each sanitary sewer work item shall be in accordance with the following, and as noted in subsequent sections of this technical specification:

- a. Mobilization for Sewer work

Mobilization for the sanitary sewer relocation work shall consist of preparatory work and operations, including, but not limited to, those necessary for the movement of personnel, equipment, supplies, and incidentals to the Project site; and for all other work and operations which must be performed or costs incurred prior to beginning construction.

- i. Payment for all materials, equipment, labor, and other costs associated with this item shall be included in the 'per lump sum' bid price for "Mobilization for Sewer work". Mobilization shall be on a percentage basis of total sanitary sewer work construction cost or as noted in MoDOT contract documents. Payment shall be in accordance with the payment schedule found in the MoDOT standard specifications, except the original contract price used in the calculation shall be the total dollar value of the sanitary sewer relocation contract bid line items.

- b. Temporary Construction Fence

The Contractor shall install a suitable temporary fence (i.e., chain link fence) along the temporary construction easement, around any open trenches, excavations (i.e., at tie-ins, manholes, bore pits, etc.) to protect livestock, pets, and/or people. The temporary fence shall be coordinated with the City Engineer. All open trenches, excavations, etc., shall be barricaded, enclosed, and secured with temporary construction fence.

- i. Payment for all materials, equipment, labor, and other costs associated with this item shall be included in the 'per linear foot' bid price for "Temporary Construction Fence".

TS-2 TRAFFIC CONTROL

Materials, placement, maintenance, and removal of Traffic Control Devices shall be governed by Part 6 of the "Manual of Uniform Traffic Control Devices", (MUTCD), published by the U.S. Department of Transportation of the Federal Highway Administration and the latest ATSSA "Quality Standards for Work Zone Traffic Control Devices".

- A. The Contractor shall notify the City Joint Communication Office of all road closures in advance, and keep them notified of all changes so that emergency vehicles will know, at all times, of appropriate response routes. Contact Joint Communications at (573) 874-6325.
- B. The Contractor shall elect to use an appropriate construction sequence with consideration given to maintaining access to all properties in the construction zone to the maximum practicable extent.
- C. The contractor shall use construction fences, barricades, signs and warnings as required to protect the public at all times.
- D. Existing Route AC shall remain open and in service for traffic at all times during the proposed sanitary sewer relocation work. The two sanitary sewer crossings with existing Route AC, shall be constructed by sanitary sewer bore method. Reference Section TS-9, Sanitary Sewer Bores.
- E. One lane of the driveway that serves the back of addresses at 3312-3316 Lemone Industrial Boulevard (Allstate Consultants and Suites at Concorde) and the parking lot for New Haven Elementary School, 3301 E. New Haven Road, near Sanitary Sewer MH 6A47 shall remain open at all times. Traffic control shall be governed by the MUTCD. Traffic control plan must be approved by MoDOT and the City Engineer prior to starting work. Steel plates may be installed to cover and traverse over an open excavated trench with traffic control channelizers to keep one lane of traffic open at all times.
- F. Site Safety
 1. Barricades and Lights: The Contractor shall erect and maintain such barricades, construction signs, torches, red lanterns and guards as may be required to protect persons from injury and to avoid property damage during the construction period and until it is safe for traffic to use the facilities. Rules and regulations of the local authorities respecting safety provisions shall be observed. All excavated material shall be piled in a manner that will not endanger the work and that will avoid obstructing sidewalks or driveways.

Gutters shall be kept clear or other satisfactory provisions made for street drainage. All construction signs and traffic controls shall be in accordance with the "Manual on Uniform Traffic Control Devices, (MUTCD)".

2. The Contractor shall maintain and enforce all safety precautions required by the Occupational Safety and Health Act (OSHA), federal and state standards and requirements pertaining to all aspects of the work. Particular attention is drawn to those safety requirements involving work on an elevated platform, 29 CFR Part 1926, Subpart P regarding excavations, trenches, and 29 CFR 1910.146 regarding confined spaces.
- G. Clearing and Cleaning Up: The Contractor shall do all necessary clearing and preparatory demolition for the proposed construction. The Contractor shall not allow the site of the work to become littered with trash and waste material but shall maintain site in a neat and orderly condition during the process of the work to completion. The Contractor shall clean up all dirt from paved surfaces so as not to allow dirt to pack on the roadway or create a traffic nuisance.
- H. Measurement and payment for each Traffic Control work item of the Sanitary Sewer Relocation work shall be in accordance with the following:
1. Lane Channelizers
 - a. Payment for all materials, equipment, labor, and other costs associated with this item shall be included in the 'per each' bid price for "Lane Channelizers". Price shall be for the duration of the sewer relocation work of the project.
 2. Temporary Traffic Control Signs
 - a. Payment for all materials, equipment, labor, and other costs associated with this item shall be included in the 'per square foot of sign' bid price for "Temporary Traffic Control Signs". Price shall be for the duration of the sewer relocation work of the project.
 3. Steel Plate
 - a. Payment for all materials, equipment, labor, and other costs associated with this item shall be included in the 'per each' bid price for "Steel Plate". Price shall be for the duration of the sewer relocation work of the project.

TS-3 EROSION CONTROL

- A. This work shall consist of furnishing, installing, maintaining and removing temporary pollution, erosion and sediment control measures; furnishing and placing permanent erosion control features; or a combination of both as shown on the plans or as directed by the Engineer.

- B. Erosion and sedimentation control shall be provided as necessary in order to prevent erosion or sedimentation onto, or disturbance of, adjacent properties and on to areas where clogging the infiltration of stormwater is unacceptable. The erosion control plan and all work required for erosion and sedimentation control shall be in accordance with the MoDOT Stormwater Pollution Prevention Plan (SWPPP), and the MoDOT 2024 Missouri Standard Plans for Highway Construction, and 2024 Missouri Standard Specifications for Highway Construction (MoDOT Standard Plans and Specs), MoDOT Route AC project plans, and the City sanitary sewer relocation plans, and these technical specs. Whenever any conflict exists between City and MoDOT plans or specs, the MoDOT Standard Plans and Specs shall take precedence.
- C. The Contractor shall submit to the City, prior to the preconstruction conference, a schedule and any changes to the erosion control plan, for the implementation of temporary erosion and sediment control practices and devices to be utilized at all disturbed areas of the sewer relocation construction project.
- D. All Erosion and Sediment Control devices, temporary and permanent control measures, materials, installation, construction, maintenance, and removals shall be in accordance with MoDOT Standard Plans and Specs.
- E. If erosion and sediment control measures, as shown on the plans, are not suitable due to site conditions, a suitable system of Best Management Practices (BMP) as defined by the applicable Missouri State Operating Permit for land disturbance activities and the Stormwater Pollution Prevention Plan (SWPPP) shall be applied, as approved by the Engineer.
- F. When acceptable with MoDOT and City Engineer, mulch berm sediment control may be used instead of silt fence. Mulch berms shall be in accordance with MoDOT standard plans and standard specifications. Mulch berms shall consist of acceptable shredded wood mulch. Chipped mulch is not acceptable. Finished compost can also be used as a sediment control berm.

Where possible, berms shall be installed before disturbing the land and left in place until final grading, seeding, and mulching. Where the location of the berms conflict with trenching, berms shall be used as temporary sedimentation control measure between the time the trench is backfilled and the site can be final graded, seeded, and mulched. The berm and trapped sediment may be used to make up part of the topsoil required for finished grading. Spread the compost or mulch and silt evenly over topsoil to bring the area to finished grade.

- G. After each rainfall, all silt retention practices or devices shall be inspected; silt shall be removed if a noticeable amount has accumulated.
- H. Measurement and payment for each Erosion Control work item shall be in accordance with the following:

1. Silt Fence and/or Mulch Berm
 - a. Payment for all materials, equipment, labor, all costs for installing, maintaining, removing silt fence and/or mulch berm, and any miscellaneous items or incidentals necessary to complete the work shall be included in the 'per lineal foot' bid price for "Silt Fence and/or Mulch Berm". No direct payment will be made for seeding and mulching necessary to restore the area after removal.
2. Inlet Check
 - a. Payment for all materials, equipment, labor, all costs for installing, maintaining, removing drainage ditch rock inlet check, and any miscellaneous items or incidentals necessary to complete the work shall be included in the 'per lineal foot' bid price for "Inlet Check". No direct payment will be made for seeding and mulching necessary to restore the area after removal.
3. Rock Ditch Check
 - a. Payment for all materials, equipment, labor, all costs for installing, maintaining, removing rock ditch check, and any miscellaneous items or incidentals necessary to complete the work shall be included in the 'per lineal foot' bid price for "Rock Ditch Check". No direct payment will be made for seeding and mulching necessary to restore the area after removal.
4. Gravel/Log Sock
 - a. Payment for all materials, equipment, labor, all costs for installing, maintaining, removing gravel/log sock on pavement, and any miscellaneous items or incidentals necessary to complete the work shall be included in the 'per lineal foot' bid price for "Gravel/Log Sock".

TS-4 REMOVALS

A. GENERAL

This work shall consist of removing and disposing of construction improvements in accordance with MoDNR guidelines for Construction, Renovation and Demolition waste. This includes but not limited to steps, retaining walls, foundation walls, drainage structures, manholes, abandoned sewers, drainage pipes and pipelines of all types, light poles, pole foundations, and other objects or improvements within the grading limits that are not designated to remain in place. This technical specification shall pertain to all items, whether in view or hidden underneath the surface of the ground, regardless of whether shown on the plans or encountered during construction. Determination of what constitutes a conflict with the work shall be the sole judgment of the Engineer. **No direct payment**

will be made for removals, except for those items listed in this section for Measurement and Payment, Section TS-5, Tree Removal, Clearing and Grubbing, and Section TS-13, Pavement Removal.

B. STRUCTURES

All removals, except those noted to be removed on the plans, shall be to a minimum of 36 inches below the subgrade elevation or deeper as required to remove the structure (or manhole) lid, frame, and cone section and to achieve proper subgrade compaction or to allow construction of proposed improvements. The remaining structure to be abandoned and remain in place shall be backfilled with flowable fill, sand, or grout in accordance with City Standard Spec Section 201.12. For abandoned structures remaining within right of way, the top 12" shall be backfilled and compacted with Type 5 Base Rock. For abandoned structures remaining in grass areas, the top 12" shall be backfilled with topsoil and seeded.

The structures noted to be removed on the plans shall be completely removed and disposed of in accordance with paragraph A. The excavated area shall be backfilled with flowable fill, sand, or grout, unless the excavated area is such that Type 5 Base Rock can be compacted adequately. The contractor shall coordinate with the City Engineer for determination of the excavated area and backfill requirement.

C. PIPES TO BE REMOVED

All sewers, drainage pipes and pipe lines of all types noted to be removed will be removed and disposed of in accordance with paragraph A.

D. PIPES TO BE ABANDONED IN PLACE

All sewers, drainage pipes and pipe lines of all types noted on the plans to be abandoned in place, shall be permanently sealed at the ends with bulkheads constructed of concrete or brick masonry, having a minimum thickness of eight inches. The use of salvaged brick will be permitted for construction of bulkheads provided the bricks are clean and sound. All pipes noted on the plans to be abandoned shall be filled with flowable backfill, sand, or grout slurry where applicable. The sand shall be as specified for fine aggregate for concrete in Section 230.2 of the City Street, Storm Sewer, and Sanitary Sewer Specifications and Standards.

E. PIPES ENCOUNTERED BUT NOT SHOWN ON PLANS

Sewers, drainage pipes and pipe lines of all types that are not shown on the plans and encountered during excavation shall be inspected by the Engineer and Contractor to determine if the pipe is in service. Pipes determined to be in service will be addressed on an individual basis according to the field conditions. Pipes determined not to be in service that are not structurally sound shall be removed as per paragraph C. Pipes determined not to be in service which are structurally sound and expected to remain so for the life of the project will be permitted to be abandoned in place as per paragraph D (structural soundness of pipes shall be the sole judgment of the City of Columbia's Engineer).

F. DISPOSAL

All material removed shall be disposed of by the Contractor (in accordance with paragraph A) away from the site of the work, except that rocks, broken concrete free of reinforcing steel, bricks and paving material which have been reduced to rubble consisting of pieces no larger than 24 inches in diameter, may be used in constructing a roadway embankment, providing that the rubble is well distributed, completely surrounded by properly compacted fill dirt and not located within 12 inches of the finished subgrade or ground surface, and shall meet the MoDOT Route AC Project Plans and MoDOT Standard Plans and Specs.

G. Measurement and Payment for each Removals work item shall be in accordance with the following:

1. Abandonment of Existing Sewer Pipe and Concrete Cap

- a. Sewer Pipe. Payment for all materials, equipment, labor, and other costs associated with this item shall be included in the 'per linear foot' bid price for "Abandonment of Existing Sewer Pipe – flowable backfill, or grout".
- b. Concrete Cap. Payment for all materials, equipment, labor, and other costs associated with this item shall be included in the 'per each' bid price for "Abandonment of Existing Sewer – Concrete Cap".

2. Abandonment of Existing Sewer Structure

- a. Payment for all materials, equipment, labor, and other costs associated with this item shall be included in the 'per each' bid price for "Abandonment of Existing Sewer Structure – flowable backfill, or sand".

3. Removal of Existing Sewer Structure

- a. Payment for all materials, equipment, labor, and other costs associated with this item shall be included in the 'per each' bid price for "Removal of Existing Sewer Structure – flowable backfill, or compacted rock backfill".

TS-5 TREE REMOVAL, CLEARING AND GRUBBING

- A. This work shall consist of tree removal, clearing, grubbing, removing and disposing of items, debris and other objectionable matter from within the limits of right of way and easement areas of the sanitary sewer relocation work, except vegetation designated to remain.

All work associated with these specifications shall be in accordance with the Storm Water Pollution Prevention Plan (SWPPP), the MoDOT Route AC Project Plans, and MoDOT Standard Plans and Specs. The contractor may choose to do tree removal, clearing and grubbing on the overall MoDOT Route AC Project, or separately for the sanitary sewer relocation work.

It is the intent of the sanitary sewer relocation plans to depict plant materials (trees, bushes, shrubs, and areas of trees and brush) within the temporary construction easement or right of way along the sanitary sewer relocation work. The construction plans may not accurately depict all plant materials in lawn areas that will be in conflict with the sewer relocation project. Contractor shall take necessary measures to protect and minimize damage to plant materials in the established yard areas. The Engineer will designate all trees, shrubs, plants and other objects that are to remain. All designated items to remain shall be preserved. Any damage to natural terrain, vegetation or objects designated to remain shall be repaired or replaced, as determined by the Engineer, at the contractor's expense.

Trees, brush, bushes, and shrubs located within the right of way or easements can be removed only if necessary to facilitate construction of the sanitary sewer relocation. Check the sewer relocation plans for trees and brush marked with an "X" to be removed or an area noted for tree and brush clearing. The Contractor shall use care to minimize the impact to and the removal of trees. If it is suspected that the operations of the contractor have caused stress or damage to trees intended to remain, and the tree(s) will not recover, the Contractor shall, at the Engineer's discretion, remove the tree(s) at no additional cost. The Engineer shall verify all removals.

The area along the proposed sewer relocation shall be cleared and grubbed to the limits and requirements specified and verified with the Engineer. Clearing and grubbing shall include removal of trees, stumps, roots, and other objectionable matter resting on or protruding through the surface of the original ground, except for those items designated to remain. All removals shall extend to a depth at least 36 inches below the ground line in fill areas or 36 inches below the subgrade in cut areas.

All other plant materials in lawn areas, not indicated as being removed, shall not be disturbed without approval from the Engineer regardless if they are depicted on the construction plans or not. Plant materials that are in conflict with this project and located outside the lawn areas are not necessarily shown on the construction plans. Plant materials located outside lawn areas, but within the temporary construction easement can be removed only if necessary to facilitate sanitary sewer construction and approved by the Engineer or as directed by MoDOT.

B. PRUNING

Plant materials that are marked to be protected must be pruned as needed. Pruning of both roots and branches shall be performed by a qualified landscaping professional in accordance with standard horticultural practice to preserve the character of the plant. Pruning shall be done with clean, sharp tools.

C. DISPOSAL

The Contractor is responsible for disposing of all plant materials that are removed as part of the sewer relocation project. Burning of removed trees is

strictly prohibited. The Contractor may, at his discretion, cut removed trees and grind into mulch to use onsite as erosion control or haul to the City's sanitary landfill, at the Contractor's expense. Removed trees that are cut and ground into mulch shall be done so with a mechanical horizontal or tub grinder using a 6"X8" screen, or other means to obtain mulch with maximum 6"-8" pieces. Any mulch hauled to the landfill (5700 Peabody Road) shall be coordinated with the City Landfill & Recovery Superintendent (Ph. 573-874-7555). Should the Contractor elect either of these two options, the Engineer shall observe the mulch product before delivery or placement for erosion control.

- D. Measurement and payment. The proposed Tree Removal, Clearing and Grubbing work for the sanitary sewer relocation work is part of the overall Clearing and Grubbing work on the MoDOT Route AC project. Therefore, the measurement and payment shall be as indicated by the MoDOT Route AC Project Plans, Specifications, and Bid Items.

TS-6 EASEMENTS AND RIGHTS-OF-WAY

- A. The easements and right-of-way for the roadway and sanitary sewer line relocation are indicated on the plans. Contractor shall confine his construction operations within the limits indicated on the drawings, and shall use due care in placing construction tools, equipment, excavated materials, structures, and pipeline materials and supplies, so as to cause the least possible damage to property and interference with traffic.
- B. Easements across private property are indicated on the plans. The Contractor shall set stakes to mark the boundaries of construction easement across private property. The stakes shall be protected and maintained until completion of sanitary sewer line construction and cleanup is completed. Contractor shall be responsible for restoring all disturbed areas to a condition that meets or exceeds the preconstruction condition of the area.
- C. The Contractor shall not enter onto, convey materials across, or store spoil piles on private property. This includes but not limited to men, tools, equipment, construction materials, or with materials excavated from the pipe trench onto any private property outside the designated construction easement boundaries. Any activities required outside of the designated construction easement boundaries requires written permission from the owner and tenant of the property.

TS-7 EXCAVATION AND TRENCHING

- A. Work under this section shall be governed by Sections 201.1 through 201.12, and Sections 500.1 through 500.26 of the City Specs and Standards.
- B. The unit or lump sum price bid for each item of work which involves excavation, trenching, and backfilling shall include all costs for such work. No direct payment shall be made for excavation, trenching or backfilling. Trenches shall be

unclassified as to depth. Excavation and trenching shall be unclassified as to materials which may be encountered except where rock is encountered.

- C. Compacted rock backfill will be required for the full depth of the trench above the embankment in the street right of way, beneath paved surfaces, and next to building foundations unless otherwise specified. Compacted rock backfill with Type 5 base rock to the top of the trench shall serve as a temporary pavement surface during construction, at existing street, driveway, or pavement locations to remain, and proposed pavement areas. Reference Section TS-13, Pavement Removal, Repair and Restoration regarding existing pavement removals, temporary pavement repair and restoration.

Backfill outside the right of way shall consist of Category I, II, or III soil compacted to 95 percent, as referenced in City Specs and Standards.

All backfill shall be thoroughly compacted by pneumatic tampers, or other approved methods. Backfill shall be placed in uncompacted lifts not to exceed 6 inches and each lift shall be thoroughly and adequately compacted. Care shall be exercised not to disturb the pipe when placing backfill. Testing shall be similar to that required per Section 500.15 of the City Specs and Standards, except that tests shall be taken once for every 300 linear feet of trench or fraction thereof for every other lift. Backfill using $\frac{3}{4}$ " clean aggregate does not require testing.

- D. The disposal of waste and excess excavated materials, including hauling, handling, grading, and surfacing shall be a subsidiary obligation of the Contractor and no separate payment will be made for disposal.
- E. Rock excavation is defined as being sandstone, limestone, flint, granite, quartzite, or similar material, in masses measuring more than one (1) cubic yard in volume or in ledges four (4) inches or more in thickness, and which requires blasting or jack hammering for its practical and effective removal. Should rock be encountered in two (2) or more ledges, each ledge being not less than three (3) inches thick and with inter-lying strata or earth not over twelve (12) inches thick in each stratum, the entire volume from the top of the top ledge to the bottom of the bottom ledge of rock will be classified as rock.

Rock excavation shall be a minimum of 6 inches below the flow line of all pipes and 6 inches below the base of all manholes. Payment for rock excavation shall be as indicated in City Standard Details 540.01 and 540.02, Pipe Embedment, and based on a maximum trench width of the sewer pipe outside diameter plus 24 inches, or on a maximum of 2 feet beyond each exterior wall of all structures or manholes, and 6 inches below the pipe flow line, or 6 inches below the base of each manhole or structure. Upper pay limit for rock excavation shall be the top surface of the rock. Payment for all costs in connection with rock excavation encountered during construction shall be based on actual quantities measured in

the field. The contractor shall coordinate with the Engineer to measure the quantity of rock excavation in cubic yard as described in this section and below in measurement and payment.

When rock is not encountered during trench or structure excavation, then there will be no measurement or payment for rock excavation.

All rock which cannot be handled and compacted as earth shall be kept separate from other excavated materials and shall not be mixed with backfill or embankment materials except as specified or directed.

- F. The contractor shall be responsible for any repair due to trench settlement for the period of one year from final acceptance.
- G. Measurement and payment for Rock Excavation encountered during construction shall be in accordance with the following:
 - 1. Rock Excavation for Sanitary Sewer work
 - a. Measurement and payment for rock encountered during trench and/or structure excavation, as defined in this section, shall be based on the actual field measurements of "cubic yard" of rock excavation. Payment for all materials, equipment, labor, and other costs associated with this item shall be included in the 'per cubic yard' bid price for "Rock Excavation for Sanitary Sewer Work".

TS-8 SANITARY SEWER PIPE

- A. Work under this section shall be governed by Sections 505.1 to 505.5 of the City Specs and Standards. Bedding of the pipe shall be in accordance with Section 500.13 of the City Standard Specifications and Standard Details.
- B. Gravity sanitary sewer pipe shall be in accordance with Section 505 of the City Specs and Standards. Gravity sanitary sewer pipe at bore or casing locations, as noted on the plans shall be C900-DR21 Restrained Joint (RJ) PVC pipe, Certa-Lok Yellowmine Restrained Joint PVC, SDR 21, or 200 psi rating pipe, or Engineer approved equal.
- C. Shop drawings shall be submitted in accordance with City Specs and Standards, and shall include all sewer pipe and casing pipe materials.
- D. Gravity sanitary sewer PVC and RJ pipe shall be green in color, or Engineer approved equal. Pipe and fitting markings shall include the appropriate ASTM, Pipe Classification Number, or Pressure Rating, and imprinted with "Sewer" in large letters.
- E. All pipe shall be smooth and free of cracks or other imperfections.

- F. Sewers will be measured for payment on a horizontal plane after installation to the nearest half foot, to the centers of new manholes, and to the points of connection with the exterior walls of structures and existing manholes or existing laterals.
- G. When laterals are encountered that require replacement and connection with the new sewer main, a unit price shall be agreed upon in accordance with MoDOT contract documents. The unit price for 4-inch and 6-inch pipe shall also include two-way cleanouts to be installed at each change in grade or direction of service laterals, and the connection of existing service laterals to the new service laterals. Cleanouts may be called out in the field at the engineer's discretion. Laterals may be field adjusted by the field engineer at any time.
- H. Preparation of the new sewer to receive intercepted sewage flow, testing sections of the new sewer, by-pass pumping, connecting existing sewage flows, and placing the new sewer in service as required shall be a subsidiary obligation of the Contractor. No separate payment will be made for this work and all costs shall be included in the cost of sewer pipe in place.
- I. Acceptance testing of the sanitary sewer pipe will include televising the line. Televising of the sewer pipe will be done by the City Sanitary Sewer Maintenance Department prior to acceptance of the sewer pipe.
- J. The following sags and ponding of water in the main shall be required to be corrected by the Contractor:

<u>Pipe Size</u>	<u>Depth of Ponding</u>
8" thru 15"	1.0" or more

Any segment of main identified with a deflection equal to or greater than 10 percent shall be replaced by the Contractor. Any segment of main identified with a deflection greater than 5 percent and less than 10 percent shall be replaced by the Contractor, if the main cannot pass a second mandrel test.

- K. Measurement and payment for Sanitary Sewer pipe shall be in accordance with the following subsections. Sanitary sewer pipe will be classified as to the type of sanitary sewer pipe, type of backfill, open cut excavation, casing pipe, and boring and jacking. The type of sanitary sewer pipe will be 8-inch PVC and 8-inch C900-DR21 Restrained Joint PVC pipe. The type of backfill will be compacted earth backfill in yard areas and compacted granular rock backfill in right of way or pavement areas.

The plans include open cut excavation with 14-inch steel casing and Carrier Pipe as 8-inch C900-DR21 Restrained Joint PVC pipe. The work for these items shall be in accordance with TS-7, Excavation and Trenching, and TS-8 Sanitary Sewer Pipe. The 14-inch steel casing and Carrier pipe shall meet the requirements

listed below in Section TS-9 Sanitary Sewer Bore, and shall be constructed similar to TS-9, except that instead of a bore, installation shall be by open cut excavation.

The unit price bid for each designated sanitary sewer pipe, type of backfill, and open cut excavation, shall cover all installation and shall include all trenching and backfill including dewatering, by-pass pumping, pipe, jointing materials, fittings, pipe laying, all bell hole excavation, embedment materials, pipe embedment, acceptance testing, fine grading, and surface restoration. Pipe embedment shall be in accordance with City Specs and Standard Details.

1. Sanitary Sewer 8-inch PVC pipe, Open Cut

The prices per linear foot of open cut excavation, installation of 8-inch PVC sanitary sewer pipe and backfill with compacted earth backfill in yard or grass areas.

- a. Payment for all materials, equipment, labor, and other costs associated with this item shall be included in the 'per linear foot' bid price for "Sanitary Sewer 8-inch PVC pipe, Open Cut".

2. Sanitary Sewer 8-inch PVC pipe, Open Cut, Right of Way (Granular Backfill)

The prices per linear foot of open cut excavation, installation of 8-inch PVC sanitary sewer pipe and backfill with compacted granular rock backfill in right of way or under pavement areas.

- a. Payment for all materials, equipment, labor, and other costs associated with this item shall be included in the 'per linear foot' bid price for "Sanitary Sewer 8-inch PVC pipe, Open Cut, Right of Way (Granular Backfill)".

3. Sanitary Sewer 8-inch C900-DR21 Restrained Joint PVC pipe, Open Cut

The prices per linear foot of open cut excavation, installation of 8-inch C900-DR21 Restrained Joint PVC sanitary sewer pipe and backfill with compacted earth backfill in yard or grass areas.

- a. Payment for all materials, equipment, labor, and other costs associated with this item shall be included in the 'per linear foot' bid price for "Sanitary Sewer 8-inch C900-DR21 Restrained Joint PVC pipe, Open Cut".

4. Sanitary Sewer 8-inch C900-DR21 Restrained Joint PVC pipe, Open Cut, Right of Way (Granular Backfill)

The prices per linear foot of open cut excavation, installation of 8-inch C900-DR21 Restrained Joint PVC sanitary sewer pipe and backfill with compacted granular rock backfill in right of way or under pavement areas.

- a. Payment for all materials, equipment, labor, and other costs associated with this item shall be included in the 'per linear foot' bid price for "Sanitary Sewer 8-inch C900-DR21 Restrained Joint PVC pipe, Open Cut, Right of Way (Granular Backfill)".
5. Sanitary Sewer 14-inch Steel Casing pipe, Open Cut, Right of Way (Granular Backfill)

The prices shall be per linear foot of open cut excavation and installation of 14-inch Steel Casing pipe, pipe embedment in accordance with City Specs and Standards and Standard Details, and backfill with compacted granular rock backfill in right of way or under pavement areas.

- a. Payment for all materials, equipment, labor, and other costs associated with this item shall be included in the 'per linear foot' bid price for "Sanitary Sewer 14-inch Steel Casing pipe, Open Cut, Right of Way (Granular Backfill)".
6. Sanitary Sewer Carrier Pipe, 8-inch C900-DR21 Restrained Joint PVC pipe

The prices shall be per linear foot for installation of carrier pipe as 8-inch C900-DR21 Restrained Joint PVC sanitary sewer pipe installed with Type 1 or Type 2 spacers inside the 14-inch steel casing pipe. It is anticipated that the 14-inch steel casing pipe will be installed with the sanitary sewer bore and with the adjacent open trench excavation. Afterwards, carrier pipe will be installed inside the casing pipe. Thus, there is a separate line item for installation of the carrier pipe inside the 14-inch casing pipe. Items 5 and 6 are considered together for a complete installed Sanitary Sewer casing pipe with sewer carrier pipe. Carrier Pipe is also listed in TS-9-D.3 for carrier pipe installed inside the casing pipe at the sanitary sewer bore. In the bid form list, Carrier Pipe is one item, for carrier pipe installed inside the casing pipe.

- a. Payment for all materials, equipment, labor, and other costs associated with this item to install 8-inch Carrier pipe inside the 14-inch steel casing pipe shall be included in the 'per linear foot' bid price for "Sanitary Sewer Carrier Pipe, 8-inch C900-DR21 Restrained Joint PVC pipe".

TS-9 SANITARY SEWER BORES

- A. General. During the sanitary sewer relocation work, the existing Route AC and pavement shall remain in place and in service for traffic. The sanitary sewer relocation plans include two sanitary sewer bores for the sewer work crossing existing Route AC. It is the intent of these specifications to define the acceptable method for installing 8-inch restrained joint sanitary sewer pipe utilizing trenchless methods, and installing 14" steel casing pipe utilizing trenchless methods for the proposed sanitary sewer bores. The contractor may use either the boring and jacking method or the hydraulic drilling directional (HDD) method

for construction and installation of sanitary sewer bores noted on the plans.

Bore pits and excavations shall be outside the existing pavement area of Route AC. The Contractor shall keep Route AC open for traffic at all times. If potholing of existing utilities is needed within the existing pavement area of Route AC, the Contractor shall coordinate with MoDOT and the City Engineer, obtain MoDOT approval, perform work in accordance with MoDOT requirements, and provide adequate traffic control that meets MUTCD and MoDOT requirements.

B. BORING AND JACKING

1. Smooth Steel Casing Pipe.

Casing pipe shall be in accordance with Section 500.19 of the City Specs and Standards. The casing pipe in its final position shall be straight and true in alignment and grade as required by the drawings. The entire boring and jacking operation shall be acceptable to the City.

2. Boring and Jacking Pipe.

After excavation of boring pit and dewatering as necessary, the casing pipe shall be installed by boring and simultaneously jacking the casing pipe in place. Boring and Jacking the casing pipe shall conform to Section 500.19 of the City Specs and Standards.

Earth displaced by the casing pipe shall be removed through the interior of the conduit by hand, by auger, or by other acceptable means. Sections of the casing pipe shall be welded together to form a continuous conduit capable of resisting all stresses, including jacking stresses. There shall be no annular space between the outside of the pipe and the undisturbed earth. If necessary to reduce friction and ensure that the entire length of casing pipe can be jacked in place, bentonite slurry or a suitable chemical gel shall be pumped to the head of the bore to lubricate the exterior pipe walls.

Gravity Sewer pipe for the sanitary sewer bore installed (without casing) using the boring and jacking method, shall be 8-inch C900-DR21 Restrained Joint PVC pipe, Certa-Lok Yellowmine Restrained Joint PVC, SDR 21, or 200 psi rating pipe, or Engineer approved equal. The restrained joint pipe shall not be damaged in any way when the boring and jacking method is used for the sanitary sewer bore.

3. Carrier Pipe.

Carrier pipe installed inside the Steel Casing pipe shall be C900-DR21 Restrained Joint PVC pipe, Certa-Lok Yellowmine Restrained Joint PVC, SDR 21, or 200 psi rating pipe, or Engineer approved equal. Carrier pipe shall

conform to Sections 505.1 to 505.5 of the City Specs and Standards.

4. Casing Spacers.

Type 1 & Type 2 casing spacers are acceptable and shall conform to Section 500.19 of the City Specs and Standards.

5. End Seals.

Both ends of each tunnel liner or casing pipe shall be closed seamless with pull-on-type synthetic rubber end seals, and shall conform to Section 500.19 of the City Specs and Standards.

C. HORIZONTAL DIRECTIONAL DRILLING (HDD)

1. Variations in Plan and Profile. The Contractor may request changes to the proposed vertical and horizontal alignment of the installation and locations of the entry and exit points. Proposed changes shall be submitted in writing to the Engineer and receive approval of Engineer prior to construction. Engineer shall evaluate the Contractor's proposed changes to ensure that it accommodates acquired easements, avoids obstructions, serves existing properties and properly maintains the necessary flow velocities.

2. Pipe Material:

a. Steel Casing pipe shall be in accordance with Section 500.19 of the City Specs and Standards. The casing pipe in its final position shall be straight and true in alignment and grade as required by the drawings. The entire Horizontal Directional Drilling (HDD) operation shall be acceptable to the City.

b. Carrier pipe installed inside the Steel Casing pipe shall be C900-DR21 Restrained Joint PVC pipe, Certa-Lok Yellowmine Restrained Joint PVC, SDR 21, or 200 psi rating pipe, or Engineer approved equal. Carrier pipe shall be installed with Type 1 or Type 2 casing spacers and shall conform to Section 500.19 of the City Specs and Standards.

c. Gravity Sewer pipe installed (without casing) using horizontal directional drilling methods shall be C900-DR21 Restrained Joint PVC pipe, Certa-Lok Yellowmine Restrained Joint PVC, SDR 21, or 200 psi rating pipe, or Engineer approved equal.

d. All pipe shall be cut, fabricated and installed in conformance with the pipe manufacturer's recommendations.

e. Pipe shall be handled in a manner that the pipe is not damaged by

dragging it over sharp and cutting objects. Ropes, fabric or rubber protected slings and straps shall be used when handling the pipe.

3. Installation:

a. General.

- i. Contractor shall install the steel casing pipe and the gravity sewer pipe by means of horizontal directional drilling. The Contractor shall assemble, support and pretest the pipeline prior to installation in the directional drill tunnel.
- ii. Horizontal directional drilling shall consist of the drilling of a small diameter pilot hole from one end of the alignment to the other, following by enlarging the hole diameter for the pipeline insertion. The exact method and techniques for completing the directionally drilled installation will be determined by the Contractor, subject to the requirements of the specifications and approval by the Engineer.
- iii. The required piping shall be assembled in a manner that does not obstruct adjacent roadways or public activities.

b. Joining Pipe Sections

- i. Each length of pipe shall be inspected and cleaned as necessary to be free of debris immediately prior to jointing.
- ii. Cutting pipe: Joining methods for plain end pipe require square-cut ends. Pipe cutting shall be accomplished with guillotine shears, run around cutters or saws.
- iii. Pipe lengths shall be heat fused in strict accordance with the pipe manufacturer's recommendations. Contractor shall supply the City with a copy of the pipe manufacturer's recommendations along with the proposed joining method.

c. Tolerances

- i. Pipe installed by the directional drilled method must be located at the alignment shown on the plans and must be no shallower than shown on the drawings unless otherwise approved. Contractor shall at all times provide and maintain instrumentation that will accurately locate the pilot hole and measure drilling fluid flow and pressure. The Contractor shall grant the Engineer access to all data and readout pertaining to the position of the bore head and the fluid pressure and flows when requested.

- ii. After the pipe is in place, cleaning pigs shall be used to remove residual water and debris.
 - iii. After cleaning operation, the Contractor shall provide and run a sizing pig to check for anomalies in the form of buckles, dents, excessive out-of-roundness, and any other deformations. Sizing pig operation shall be performed in the presence of the Engineer. The sizing pig run shall be considered acceptable if the survey results indicate that there are no sharp anomalies (e.i. buckles, gouges and internal obstructions) or ovality greater than 5 percent of the nominal pipe diameter. For gauging purposes, dent locations are those defined above which occur within a span of five feet or less. Pipe ovality shall be measured as the percent difference between the maximum and minimum pipe diameters. For gauging purposes, ovality locations are those defined above which exceed a span of five feet.
 - iv. After the sizing pig run operation is complete, the Contractor shall provide and run a video camera through the pipe to check for the presence of sags. Television operation shall be performed in the presence of the Engineer.
- d. Ream and Pullback
- i. Reaming: Reaming operations shall be conducted to enlarge the pilot after acceptance of the pilot bore. The number and size of such reaming operations shall be conducted at the discretion of the Contractor.
 - ii. Pulling Loads: The maximum allowable pull exerted on the pipeline shall be measured continuously and limited to the maximum allowed by the pipe manufacturer so that the pipe or joints are not overstressed.
 - iii. Torsion and Stresses: A swivel shall be used to connect the pipeline to the drill pipe to prevent torsional stresses from occurring in the pipe.
 - iv. The lead end of the pipe shall be closed during the pullback operation.
 - v. Pipeline Support: The pipeline shall be adequately supported by rollers and side booms and monitored during installation so as to prevent overstressing or buckling during the pullback operation.
 - vi. If the pipe is buckled or otherwise damaged, the damaged section shall be removed and replaced by the Contractor at his expense. The Contractor shall take appropriate steps during pullback to ensure that the pipeline will be installed without damage.

e. Handling Drilling Fluids and Cuttings.

- i. During the drilling, reaming, or pullback operations, the Contractor shall make adequate provisions for handling the drilling fluids, or cuttings at the entry and exit pits. To the greatest extent practical, these fluids must not be discharged into a waterway or drainageway. When the Contractor's provisions for storage of the fluids or cuttings on site are exceeded, these materials shall be hauled away to a suitable legal disposal site. The Contractor shall conduct his directional drilling operation in such a manner that drilling fluids are not forced through the sub bottom into a waterway or drainageway. After completion of the directional drilling work, the entry and exit pit locations shall be restored to original conditions.
- ii. Pits constructed at the entry or exit point area shall be so constructed to completely contain the drill fluid and prevent its escape to a waterway or drainageway.
- iii. The Contractor shall utilize drilling tools and procedures which minimize the discharge of any drilling fluids. The Contractor shall comply with all mitigation measures listed in the required permits and elsewhere in these Specifications, City Specs and Standards, and MoDOT contract documents.
- iv. To the extent practical, the Contractor shall maintain a closed loop drilling fluid system.
- v. The Contractor shall minimize drilling fluid disposal quantities by utilizing a drilling fluid cleaning system which allows the returned fluids to be reused.

4. Drilling Operations

a. General

- i. The Contractor shall prepare a plan to be submitted for Engineer approval which describes solids control, pilot hole drilling procedure, reaming operation and pullback procedure. All drilling operations shall be performed by supervisors and personnel experience in horizontal directional drilling. All required support, including drilling tool suppliers, mud cleaning, mud disposal, and other required support systems used during this operation shall be provided by the Contractor.
- ii. A smoothly drilled pilot hole shall follow the design centerline of the pipe profile and alignment described on the construction drawings.

- iii. The position of the drill string shall be monitored by the Contractor with the downhole survey instruments. Contractor shall compute the position in the X, Y and Z axis relative to ground surface from downhole survey data at each service lateral connection, manhole, cleanout and Engineer approved locations along the sewer so that the maximum distance between monitored points is 50 feet. Deviations from the acceptable tolerances described in the Specifications shall be documented and immediately brought to the attention of the Engineer for discussion and/or approval. The profile and alignment defined on the construction plans for the bores define the minimum depth and radius of curvature. At no point in the drilled profile shall the radius of curvature of the bores be less than 1,600 feet. The Contractor shall maintain and provide to the Engineer, upon request, the data generated by the downhole survey tools in a form suitable for independent calculation of the pilot hole profile.
- iv. During the entire operation, waste and leftover drilling fluids from pits and cuttings shall be dewatered and disposed of in accordance with all permits and regulatory agencies requirements. Remaining water shall be cleaned by Contractor to meet permit requirements.

D. MEASUREMENT AND PAYMENT.

The unit price bid for Sanitary Sewer Bore with 8-inch C900-DR21 Restrained Joint PVC pipe, and Sanitary Sewer Bore with 14-inch Steel Casing shall include all costs in connection with excavation and backfilling, dewatering, the cost of furnishing and installing all pipe, both casing pipe and sewer carrier pipe, equipment, labor, all skids, jointing material, jacking pits, stabilized sand backfill, end closures, pilot hole, reaming, pull back pipe, jointing, and all other work in connection with the sewer bore regardless which of the two above described methods are used. Payment for each of the sanitary sewer bores shall be based on horizontal measurement of the 8-inch sewer pipe and horizontal measurement of the 14-inch steel casing pipe as shown on the construction plans. The additional payment for rock excavation outlined in this Technical Specification shall not apply to the boring operation. Each of the sanitary sewer bores is unclassified in regards to boring in earth or rock.

1. Sanitary Sewer Bore, HDD or Boring and Jacking, with 8-inch C900-DR21 Restrained Joint PVC pipe, Right of way

The prices shall be per linear foot of sanitary sewer bore complete with installation of 8-inch C900-DR21 Restrained Joint PVC pipe within Right of way, and backfill of pits or excavated areas with compacted granular rock backfill or flowable backfill, in Right of way or under pavement areas.

- a. Payment for all materials, equipment, labor, and other costs associated with this item shall be included in the 'per linear foot' bid price for "Sanitary

Sewer Bore, HDD or Boring and Jacking, with 8-inch C900-DR21 Restrained Joint PVC pipe, Right of way”.

2. Sanitary Sewer Bore, HDD or Boring and Jacking, with 14-inch Steel Casing pipe, Right of Way

The prices shall be per linear foot of sanitary sewer bore complete with installation of 14-inch Steel Casing pipe within Right of way, and backfill of pits or excavated areas with compacted granular rock backfill or flowable backfill, in Right of way or under pavement areas.

- a. Payment for all materials, equipment, labor, and other costs associated with this item shall be included in the ‘per linear foot’ bid price for “Sanitary Sewer Bore, HDD or Boring and Jacking, with 14-inch Steel Casing pipe, Right of Way”.

3. Sanitary Sewer Carrier pipe, 8-inch C900-DR21 Restrained Joint PVC pipe

The prices shall be per linear foot for installation of carrier pipe as 8-inch C900-DR21 Restrained Joint PVC sanitary sewer pipe installed with Type 1 or Type 2 spacers inside the 14-inch steel casing pipe. It is anticipated that the 14-inch steel casing pipe will be installed with the sanitary sewer bore and with the adjacent open trench excavation. Afterwards, carrier pipe will be installed inside the casing pipe. Thus, there is a separate line item for installation of the carrier pipe inside the 14-inch casing pipe. Items 2 and 3 are considered together for a complete installed Sanitary Sewer casing pipe with sewer carrier pipe. Carrier Pipe is also listed in TS-8-K.6 for carrier pipe installed inside the casing pipe at the adjacent open trench excavation. In the bid form list, Carrier Pipe is one item, for carrier pipe installed inside the casing pipe.

- a. Payment for all materials, equipment, labor, and other costs associated with this item to install 8-inch Carrier pipe inside the 14-inch steel casing pipe shall be included in the ‘per linear foot’ bid price for “Sanitary Sewer Carrier pipe, 8-inch C900-DR21 Restrained Joint PVC pipe”.

TS-10 SEWER STRUCTURES (MANHOLES)

- A. Work under this section shall be governed by Section 510 of the City Specs and Standards, and Standard Details.
- B. Shop drawings shall be submitted in accordance with City Specs and Standards, and shall include all precast concrete sections or cast-in-place concrete manholes, dimensions, rebar sizes and spacings, concrete strength, height of barrel and cone sections, wall and bottom slab thicknesses, opening sizes and elevations, steps, manhole lid and frame materials, rim elevation, and all other applicable manhole material information.

- C. There shall be a unit price as listed in the Measurement and payment section below, to cover the construction of a standard 4-foot Inside Diameter (I.D.) structure (manhole) at 6 feet deep measured from the elevation of the invert of the sewer at the center of the manhole to the top of the manhole lid/cover. This price shall include the manhole foundation, manhole invert construction, barrel sections, top section, manhole frame and lid/cover, and steps for a manhole up to 6 feet deep and shall include any required testing.
- D. There shall be a unit price as listed in the Measurement and payment section below, which shall cover the entire cost of each additional foot, to the nearest half foot, of vertical manhole depth in excess of 6 feet, including the prorated cost of steps for 4-foot I.D. manholes.
- E. There shall be a unit price as listed in the Measurement and payment section below, which shall cover the entire cost of the Doghouse manhole construction. This price shall include the manhole foundation, manhole invert construction, barrel sections, top section, manhole frame and lid/cover, and steps for a manhole up to 6 feet deep and shall include any required testing. No additional payment to prepare the manhole to accept sewer.
- F. Measurement and payment for Sanitary Sewer Structures (or Manholes) shall be in accordance with the above and following subsections.

Sanitary sewer structures will be classified as to the type of sanitary sewer structure, i.e., Standard and Doghouse Structure, based on a 6' deep manhole. Additional depth of manhole will be listed as a separate line item. There will be no payment classification regarding the type of backfill at manholes. Manholes within or near right of way, or within paved areas, shall be backfilled with compacted granular rock backfill, or as noted on the plans. Manholes outside of right of way, or in yard areas may be backfilled with compacted earth backfill in accordance with TS-7, Excavation and Trenching.

Rock excavation at Structures (or Manholes), including measurement and payment, shall be as indicated in TS-7, Excavation and Trenching, Rock Excavation for Sanitary Sewer Work.

The unit price bid for each designated type of 4' diameter manhole shall cover all installation and shall include all excavation (except rock), trenching, and backfill, covers, steps, vents, jointing materials, fittings, and other appurtenances as well as acceptance testing, final grading and adjustment, if needed, and surface restoration.

The unit price bid for raising an existing Sanitary Sewer Structure (or Manhole) shall include all excavation, removal of existing concrete flat top with frame and lid, installation of new cone section with steps, new frame and lid to the proposed grade and elevations on the plans, jointing materials, backfill, final grading and adjustment, if needed, and surface restoration.

1. Standard Structure (Manhole, 6' deep)
 - a. Payment for a Standard Structure (Manhole) being 6 feet in depth or less, including all materials, equipment, labor, and other costs associated with this item, shall be included in the 'per each' bid price for "Standard Structure (Manhole, 6' deep)".
2. Doghouse Structure (Manhole)
 - a. Payment for a Doghouse structure (manhole) being 6 feet in depth or less, including all materials, equipment, labor, and other costs associated with this item, shall be included in the 'per each' bid price for "Doghouse Structure (Manhole)".
3. Additional Depth of Standard Structure
 - a. Payment for additional depth of a Standard Structure (Manhole) exceeding 6 feet, to the nearest half foot, including the prorated cost of the steps shall be included in the 'per vertical foot' bid price for "Additional Depth of Standard Structure".
4. Additional Depth of Doghouse Structure
 - a. Payment for additional depth of a Doghouse Structure (Manhole) exceeding 6 feet, to the nearest half foot, including the prorated cost of the steps shall be included in the 'per vertical foot' bid price for "Additional Depth of Doghouse Structure".
5. Raise Existing Sanitary Structure
 - a. Payment for Raise Existing Sanitary Structure, including all removals, materials, equipment, labor, and other costs associated with this item, shall be included in the 'per each' bid price for "Raise Existing Sanitary Structure".

TS-11 CONNECTION TO EXISTING SEWER

- A. The connection to existing sewer shall include all necessary materials to connect to an existing sanitary sewer in size up to 12" in diameter or connection to an existing manhole. It shall be built to maintain flow. It may include the coring or cutting of an existing manhole, by-pass pumping, repairing or replacing an invert and all necessary appurtenances to make the connection safely and watertight.
 1. Payment for all materials, equipment, labor, and other costs associated with this item shall be included in the 'per each' bid price for "Connection to Existing Sewer".

TS-12 SEEDING AND MULCHING

- A. The work shall consist of furnishing all labor, equipment, and materials necessary for preparation, fertilization, seeding, and mulching of all disturbed areas of the sanitary sewer relocation work except for sodded areas, surfaced areas and solid rock. Disturbed areas outside of authorized construction limits shall be seeded and mulched, or sodded at the Contractor's expense.

Seeding and Mulching shall be in accordance with MoDOT Route AC Project plans, MoDOT standard plans and MoDOT standard specifications.

Depending on the timeframe between completing sanitary sewer relocation work and proposed seeding and mulching work, temporary seeding may be required. Temporary seeding shall be installed in accordance with MoDOT plans and specifications.

- B. Measurement and payment. The proposed Seeding and Mulching or Temporary Seeding work for the sanitary sewer relocation work is part of the overall Seeding and Mulching work on the MoDOT Route AC project. Therefore, the measurement and payment shall be as indicated by the MoDOT Route AC project plans, specifications, and bid items.

TS-13 PAVEMENT REMOVAL, REPAIR, AND RESTORATION

- A. General. This work shall consist of the removal, disposal, temporary repair, and temporary restoration of existing asphalt and concrete pavement, curb, gutter, and sidewalk from within the limits of right of way and easement areas of the sanitary sewer relocation work. Permanent restoration work of these areas are part of the overall MoDOT Route AC Project plans and Specifications. Therefore, the sewer relocation plans and this City Technical Specification does not include permanent pavement restoration, only temporary repair and restoration.

- B. Pavement Removal. The work shall consist of furnishing all labor, equipment and materials necessary for the removal of existing asphalt pavement, concrete pavement, driveways, curb and gutter, ribbon curb, integral concrete curb, concrete pavement with storm trench and trench grate, concrete sidewalk, etc. from within the limits of right of way and easement areas that will be disturbed for the sanitary sewer relocation work. The removal work may include sawcuts, concrete removal, hauling, disposal, placement of concrete, asphalt, milling, subgrade preparation, placement of compacted base rock, temporary asphalt, and other incidental costs.

Existing pavement, curb, or sidewalk materials shall be removed and disposed of in accordance with MoDNR guidelines for Construction, Renovation and Demolition waste, the Storm Water Pollution Prevention Plan (SWPPP), the MoDOT Route AC Project Plans, and MoDOT Standard Specifications.

It is the intent of the sanitary sewer relocation plans to depict existing pavement, curb, or sidewalk materials within the temporary construction easement or right of way along the sanitary sewer relocation work. The construction plans may not accurately depict all existing pavement, curb, or sidewalk areas. The Contractor shall coordinate with the Engineer to verify all pavement, curb, and sidewalk removals, including horizontal limits and depths prior to commencing pavement removal activities. Pavement, curb, or sidewalk areas may not need removal over the entire width of the temporary construction easement or right of way, and pavement areas shall only be removed to facilitate construction of the sanitary sewer relocation work. Disturbed areas outside of authorized construction limits shall be repaired or replaced at the Contractor's expense, in accordance with City Specs and Standards, Standard Details, MoDOT Plans and Specifications, and coordinated with the City Engineer.

Removal of asphalt or concrete may consist of breaking up and disposing of the material onsite within the project embankments where new embankment over 24 inches is to be placed over the broken material, and upon direction by the Engineer and approval by MoDOT. Material from such removals shall meet requirements of "clean fill" per MoDOT specifications. All reinforcing steel extending from concrete shall be removed to the exposed face prior to placement in the embankment. All other material not meeting "clean fill" requirements shall be disposed of offsite at the contractor's expense.

- C. Temporary Pavement Repair and Restoration. The work shall consist of furnishing all labor, equipment and materials necessary for the temporary repair and restoration of pavement, curb, and sidewalk removal areas for the sanitary sewer relocation work. Temporary repair may include subgrade preparation, installation of concrete, temporary asphalt, compacted baserock, or topsoil depending on the proposed surfaces for the Route AC project.

At existing street, driveway, or pavement locations to remain, and proposed pavement areas, the Contractor shall install and maintain compacted Type 5 base rock as a temporary pavement surface during construction. The base rock shall be a minimum of 12 inches in thickness and shall match with existing pavement surfaces and be suitable for vehicular traffic. As indicated in TS-7, Excavation and Trenching, No direct payment shall be made for excavation, trenching, or backfilling. Installation and maintenance of compacted base rock is subsidiary and part of backfilling. Therefore, no direct payment shall be made for compacted base rock or the temporary repair and restoration of pavement, curb, and sidewalk removal areas for the sanitary sewer relocation work.

At proposed yard or grass areas where there is removal of existing pavement, curb, or sidewalk areas, backfill shall be compacted earth material and suitable topsoil. Topsoil material and thickness shall be in accordance with MoDOT Route AC Project Plans and Specifications.

- D. Permanent Pavement Restoration. The work shall consist of furnishing all labor, equipment and materials necessary for the permanent restoration of pavement, curb, and sidewalk removal areas along the sanitary sewer relocation work. The proposed asphalt, concrete pavement, curb, and sidewalk work is part of the overall MoDOT Route AC project. Therefore, the installation, construction, measurement and payment shall be as indicated by the MoDOT Route AC Project Plans, Specifications, and Bid Items.
- E. Measurement and payment for Pavement Removals shall be in accordance with the above and following subsections.

The unit price bid for pavement removals shall include all labor, equipment and materials necessary for the removal of existing asphalt pavement, concrete pavement, driveways, curb and gutter, ribbon curb, integral concrete curb, concrete pavement with storm trench and trench grate, concrete sidewalk, etc. from within the limits of right of way and easement areas that will be disturbed for the sanitary sewer relocation work. The removal work may include, but not be limited to: sawcuts, concrete removal, hauling, disposal, placement of concrete, asphalt, milling, subgrade preparation, placement of compacted base rock, temporary asphalt, and other incidental costs.

1. Asphalt Street or Driveway Removal

- a. Payment for all materials, equipment, labor, and other costs associated with the removal of asphalt street, asphalt driveway, asphalt parking area including ribbon curb as noted on the sanitary sewer relocation plans, shall be included in the 'per square yard' bid item for "Asphalt Street or Driveway Removal".

2. P.C. Concrete Driveway or Sidewalk Removal

- a. Payment for all materials, equipment, labor, and other costs associated with the removal of concrete driveway including integral concrete curb, concrete pavement, concrete pavement with storm trench and trench grate, and concrete sidewalk as noted on the sanitary sewer relocation plans, shall be included in the 'per square yard' bid item for "P.C. Concrete Driveway or Sidewalk Removal".

3. P.C. Concrete Curb & Gutter Removal

- a. Payment for all materials, equipment, labor, and other costs associated with the removal of concrete curb and gutter as noted on the sanitary sewer relocation plans, shall be included in the 'per linear foot' bid item for "P.C. Concrete Curb & Gutter Removal".

TS-14 CONSTRUCTION STAKING

- A. General. All construction work shall be done to the lines, slopes, grades and locations shown on the Plans or as modified by the Engineer in writing. The MoDOT Engineer or representative will establish on the Drawings the required control points, survey lines, bench marks and base lines. Detailed survey and staking for construction, as well as measurements and elevations within structures shall be the responsibility of the Contractor. **All work under this section shall be conducted by or under the direct supervision of a Registered Land Surveyor in the State of Missouri.** The Contractor shall erect all necessary batterboards and shall furnish all templates necessary for the construction. Any work done without being properly staked, located and measured may be ordered removed and replaced at the Contractor's expense.
- B. Control. MoDOT or MoDOT's representative will provide all necessary horizontal and vertical control from which the Contractor may establish construction staking required to perform work. The established control points, sanitary sewer structure coordinates, are noted on the plans and shall become the responsibility of the Contractor once initially set. The Contractor shall use care not to disturb these points. Any cost required to re-establish these points, due to the careless or negligent destruction by the Contractor, may be charged to the Contractor and deducted from the payment for this work.
- C. Construction Stakeout by Contractor. The Contractor shall furnish all employees, equipment, tools, stakes and other material required and shall stake out, in a manner satisfactory to the City Engineer, the proposed manhole locations, offsets, any necessary right of way and easements deemed necessary by the Engineer, sewer line grade stakes, sewer bore locations and offsets, and staking needed to construct proposed sanitary sewer work.
- D. Notification. The Contractor shall not cover any work, which requires measurements for payment while in the uncovered state until the Engineer has made such measurements.
- E. Payment. Payment will be made on a per foot price of the linear footage of new sewer line on this sewer relocation Project. i.e. if the project has 1500 feet of sewer and the total to stake that footage is \$3000 then the cost would be \$2.00 per linear foot to stake.






Addendum #2

July 2020

Street, Storm Drain, and Sanitary Sewer Specifications and Standards

 city of Columbia <i>Public Works</i>		
City of Columbia, MO 701 E Broadway P.O. Box 6015 Columbia, MO 65205 (573) 874-2489	David Allen Nichols Registered Professional Engineer E-24212	
Approved By: 		7-1-20
Public Works Director		

 city of Columbia <i>Sewer & Stormwater Utilities</i>		
City of Columbia, MO 701 E Broadway P.O. Box 6015 Columbia, MO 65205 (573) 441-5530	David Alan Sorrell Registered Professional Engineer PE-2009001129	
Approved By: 		7-1-2020
Columbia Utilities Director		

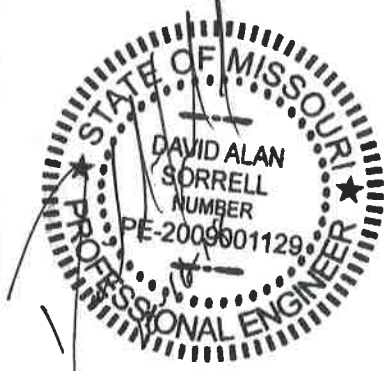



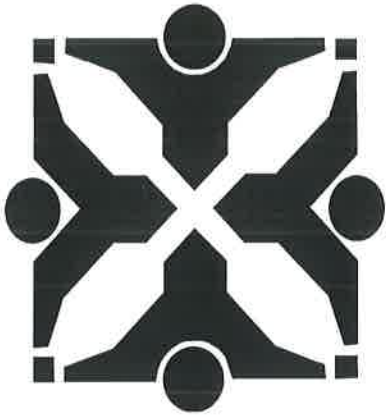
Addendum #1

October 2018

Street, Storm Drain, and Sanitary Sewer Specifications and Standards

 city of Columbia <i>Public Works</i>		
City of Columbia, MO 701 E Broadway P.O. Box 6015 Columbia, MO 65205 (573) 874-2489	David Allen Nichols Registered Professional Engineer E-24212	
Approved By: 		10-16-18
Public Works Director		Date

 city of Columbia <i>Sewer & Stormwater Utilities</i>		
City of Columbia, MO 701 E Broadway P.O. Box 6015 Columbia, MO 65205 (573) 441-5530	David Alan Sorrell Registered Professional Engineer PE-2009001129	
Approved By: 		10-16-18
Assistant Director of Utilities		Date



City of Columbia, Missouri
Public Works Department
Columbia Utilities Department
701 East Broadway
Columbia Missouri 65205
573-874-2489

STREET, STORM DRAIN, AND SANITARY SEWER SPECIFICATIONS AND STANDARDS

October 2016



Approved:

David A. Nichols 9/13/16

David A. Nichols, P.E.
Public Works Director

Date

Approved:

David A. Sorrell 7/13/16

David A. Sorrell, P.E.
Columbia Utilities Assistant Director

Date

STREET, STORM DRAIN, AND SANITARY SEWER SPECIFICATIONS AND STANDARDS

TABLE OF CONTENTS

DIVISION I CONSTRUCTION AND MATERIALS SPECIFICATIONS

GENERAL REQUIREMENTS

<u>Section</u>	<u>Number of Pages</u>
1 Definitions.....	1
2 Control of Work.....	3
3 Control of Materials.....	2
4 Prosecution and Progress.....	3

SPECIFICATIONS

<u>Section</u>	<u>Number of Pages</u>
200 Clearing and Grubbing.....	1
201 Excavation and Embankment for Street and Storm Sewers.....	14
202 Borrow Excavation.....	1
203 Seeding and Mulching.....	6
204 Sodding.....	2
205 Subgrade.....	1
206 Dig Out Repair.....	1
207 Adjustments of Manholes, Catch Basins and Inlets.....	1
208 Removals.....	2
209 Daily Clean Up and Final Trimming and Cleaning Up.....	1
210 Aggregate Base Material.....	1
211 Penetration Macadam Base.....	4
212 Aggregate Base.....	4
213 Landscaping and Tree Protection.....	6
214 Tree Protection and Removal.....	1
215 Mobilization.....	1
216 Construction Staking.....	2
220 Bituminous Materials.....	3
221 Aggregate for Asphaltic Concrete.....	2
222 Asphaltic Concrete Pavement.....	17
223 Preparation of Base and Application of Primer and Tack Coats.....	4
225 Bituminous Plant Mix.....	1
226 Plant Mix Bituminous Stabilized Base.....	4

<u>Section</u>	<u>Number of Pages</u>
227	Graded Aggregate for Bituminous Mix1
228	Superior Performing Pavement (Superpave) Materials9
229	Superior Performing Pavement (Superpave)30
230	Portland Cement Concrete2
231	Portland Cement Concrete Pavement7
232	Concrete Curb and Gutter2
234	Concrete Sidewalks.....3
235	Concrete Steps2
236	Patching Portland Cement Concrete Pavement1
237	Concrete Driveway Pavement.....1
238	Reinforcement for Portland Cement Concrete.....3
239	Repair of Concrete Pavement2
240	Cold Milling.....2
241	Maintenance of Traffic2
242	Pavement Markings34
243	Audible Pedestrian Push Buttons.....3
244	Colored Imprinted Concrete2
250	Concrete Structures.....6
260	Storm Sewers11
500	Excavation and Trenching for Sanitary Sewers.....16
505	Sanitary Sewer Pipe5
506	Sewer Lateral Marking2
510	Sewer Manholes.....6
515	Sewer Pipe Installation and Testing.....6
530	Grouting1

DIVISION II *STANDARD DETAILS*

DIVISION I

**CONSTRUCTION AND MATERIALS
SPECIFICATIONS**

GENERAL REQUIREMENTS

SECTION 1

DEFINITIONS

Wherever the following terms are used in the plans, specifications the intent and meaning shall be interpreted as follows:

- AASHTO:*** The American Association of State Highway and Transportation Officials, Reference-Standard Specifications for Highway Materials and Methods of Sampling and Testing.
- ASTM:*** The American Society for Testing Materials.
- Change Order:*** Written authority issued to the Contractor by the Engineer, directing changes in the work within the provisions of the Contract.
- Final Acceptance:*** A written notice from the Engineer notifying the Contractor that construction has been satisfactorily completed. The written notice will follow the prefinal and final inspection reports and submission of all affidavits and paperwork.
- MoDOT:*** Missouri Department of Transportation.
- Plans:*** All drawings or reproductions thereof pertaining to the work and which have been approved by the authorized representative of the City.
- Proposal:*** The written offer submitted by the Bidder to perform the work specified in the Contract.
- Specifications:*** The directions, provisions, and requirements contained herein together with such may be added or adopted as supplemental specifications or special provisions, for the performance of the work and for the quantity, quality, and proportion of materials.
- Subcontractor:*** An individual, partnership, joint venture, or corporation that has contracted with the Contractor for the performance of all or any part of the work or services which such Contractor has itself contracted to perform.
- Subgrade:*** That portion of the roadbed upon which the surfacing material or pavement is to be placed. Also, the bottom of a trench where pipe bedding material is to be placed.

SECTION 2

CONTROL OF WORK

2.1. Authority of the Engineer. The Engineer shall in all cases decide any and all questions which may arise concerning the quality, quantity, and acceptability of all materials furnished and work performed; the manner of performance and the rate of progress of all work; all question of classification; the correct interpretation of all plans, specifications, and Contract provisions; the acceptable fulfillment of the Contract in all respects; the proper compensation for the performance or breach of the Contract; all claims of any character whatsoever in connection with or growing out of the construction whether claimed under the Contract, under force account, under quantum merit, or otherwise; and his estimates and decisions shall be final, binding, and conclusive upon all parties to the Contract.

2.2. Subcontractors. No subcontract shall, under any circumstances, relieve the Contractor of his liabilities and obligations under his Contract, and all transactions with the Engineer must be through the Contractor. Subcontractors will be recognized only in the capacity of workmen and shall be subject to same requirements as to character and competence. Not less than fifty percent (50%) of the Contract work shall be performed by the Contractor's own forces and equipment.

2.3. Measurement of Quantities. All work completed under the Contract will be measured by the Engineer using United States Standard Measures in accordance with well recognized engineering practice or will be paid for on plan quantity basis as set out elsewhere in these specifications. If the quantity of any item that is to be paid for on a plan quantity basis is found to include errors, the quantity will be corrected before making final payment.

2.4. Interpretation of Proposal Quantities. Although the quantities listed in the proposal forms and on the plans are the results of calculations made from original surveys, such quantities, including the classification thereof, may or may not be representative of the actual conditions encountered during construction. Final payment to the Contractor will be made on only the actual amount of work of each class performed, which amount shall be finally determined from actual measurements made during the progress or after the completion of the work, except as otherwise specified herein.

2.5. The Contractor agrees that he is fully informed regarding all of the conditions affecting the work to be done, and labor and materials to be furnished for the completion of this Contract, and that his information was procured by personal investigation and research and not from any estimates of the City of Columbia; and that it will make no claim against the City by reason of estimates, test, or representation of any officer, agent or employee of the City. The conditions indicated on the plans and in the proposal represent information available from surveys, and studies, but the City assumes no responsibility with respect to the sufficiency and accuracy of such data.

2.6. Inspection of Work. The Contractor shall furnish the Engineer with every reasonable facility for ascertaining whether or not the work performed and materials used are in accordance with the requirements of the Contract specifications. If the Engineer requests, the Contractor shall, at any time before final acceptance of the work, remove or uncover such

portion of the finished work as may be directed. After examination, the Contractor shall restore said portions of the work to the standard required by the specifications. Should the work thus exposed or examined prove acceptable, the uncovering, removing, and replacing or restoring of the parts removed shall be considered and paid for as extra work. Should the work thus exposed or examined prove unacceptable, the uncovering, or removing, and the replacing of the covering or restoring of the parts removed shall be at the Contractor's expense. No work shall be done and no materials shall be used without supervision or inspection by the Engineer or his representative. Any work done or materials used without said supervision or inspection by the Engineer or his representative may at the option of the Engineer be ordered removed and replaced at the Contractor's expense.

In case the federal or state government or any agency thereof is paying all or a portion of the cost of the construction of the project, inspections may be made by the Federal Highway Administration and the Missouri Department of Transportation and the Contractor shall grant them access to all parts of the work.

2.7 Unauthorized Work.

2.7.1. Work done without lines and grades being given or work done beyond the lines and grades shown on the plans or as given, except as otherwise provided in the Contract, will be considered unauthorized and done at the expense of the Contractor.

2.7.2. All changes in the work or departures not provided for in the Contract, will be considered unauthorized and done at the expense of the Contractor, unless, before proceeding with the work, he has a copy of an order signed by the Engineer, or a change order signed by all parties whose signatures are provided for. These forms shall contain complete detailed instructions regarding the proposed changes. Any departure from the instructions contained in such written order shall be considered unauthorized.

2.7.3. The Engineer may order unauthorized work removed and replaced at the Contractor's expense.

2.8. Defective Work. All construction and materials which have been rejected or declared unsatisfactory shall be remedied or removed and replaced in an acceptable manner by the Contractor at his expense. Upon failure of the Contractor to remedy or remove and properly dispose of rejected materials or work, or to replace them immediately after receiving written notice from the Engineer, the Engineer may employ labor to rectify the work, and the cost of rectification shall be deducted from any payment due or which may become due the Contractor.

2.9. Damage to Existing Improvements. The Contractor will be held liable for damages done to pavements, sidewalks, and other improvements caused by his construction operations. The City may either make repairs at the Contractor's expense or require the Contractor to make repairs.

The Contractor shall furnish suitable equipment for the satisfactory prosecution of the work. No equipment will be permitted that would damage any streets or adjacent property.

2.10. Correction Period. If after final payment and prior to the expiration of two years

after the date of substantial completion (unless a longer period is set forth in Supplementary Conditions) or such longer period of time as may be prescribed by law or by the terms of any applicable special guarantee required by the Contract documents, any work is found to be defective as a result of workmanship or material defect, Contractor shall promptly, without cost to Owner and in accordance with Owner's written instructions, either correct such defective work or, if it has been rejected by Owner, remove it from the site and replace it with non-defective Work. If Contractor does not promptly comply with the terms of such instructions, Owner may have the defective work corrected or the rejected work removed and replaced, and all direct and indirect costs of such removal and replacement, including compensation for additional professional services, shall be paid by Contractor.

2.11. Preservation of Utilities, Monuments and Artifacts. The Contractor shall be responsible for the preservation of all public and private utility wires, lines, pipes, poles, cables and conduits within the right of way and shall use every precaution necessary to prevent damage or injury thereto. He shall not disturb or damage any land monument or property landmark until an authorized agent has witnessed or otherwise referenced their locations and shall not remove them until directed by the Engineer. He shall be responsible for the preservation of all artifacts, fossils, and other items of archaeological character encountered within the right of way and shall deliver them promptly into the custody of the Engineer.

2.12. Cleanliness of Streets and Construction Site. The Contractor shall clean and keep clean the streets, the work, and public or private property occupied by him, from waste materials or refuse resulting from his operations. Trucks hauling excavated material, cement, sand, stone, or other loose material from or to the site shall be tight so that no spillage will occur on adjacent streets. Should the Contractor be negligent of his duties in maintaining the proper street cleanliness, the city shall take necessary steps to perform such cleaning and shall charge the Contractor for all the costs thereof.

The Contractor shall provide and maintain in a neat and sanitary condition such accommodations for the use of his employees as may be necessary to comply with the minimum standards of the State Division of Health and of the City of Columbia. He shall commit no public or private nuisance.

Water or dust palliative shall be applied if ordered by the Engineer for the alleviation or prevention of dust nuisance caused by the Contractor's operations.

2.13. Maintenance of Right of Way: The Contractor shall maintain the right of way until final acceptance of the work. Maintenance of the right of way shall include snow removal and mowing.

2.14. Use of Explosives. When explosives are used in the prosecution of the work, the Contractor shall use the utmost care to prevent danger to life or property. All explosives shall be stored in a secure and safe manner and in compliance with all existing statutes and ordinances and all places used for such storage shall be clearly marked "DANGEROUS POWDER MAGAZINE." The Contractor shall notify, in writing, the Engineer and all parties affected by the use of explosives in the work to be performed and it further agrees to save the City, its agents, officers and employees harmless from any claim growing out of the use of such explosives.

SECTION 3

CONTROL OF MATERIALS

3.1. Sources of Supply. Materials shall be obtained from sources of supply which meet the approval of the Engineer. Inspection of materials made at principal sources of supply is solely a matter of convenience to the Contractor and Producer. All materials shall meet the requirements of the specifications before being incorporated into the work. Any defective materials discovered in the process of handling or at any time during the progress of the work, even though previously accepted, will be rejected. If it is found that a source of supply does not furnish a uniform product or if for any reason the product from any source at any time proves to be unsatisfactory, the Contractor will be required to furnish approved material from other sources. The Contractor shall have no claim for any increased cost on account of such requirement.

3.2. Specifications, Samples, and Tests. When a specification of a national standard (ASTM, AASHTO, etc.) is designated, the material may meet either the designated specifications or the latest revision thereof in effect at the time of the award of the Contract. Tests of samples of materials will be made by the Engineer in accordance with the latest methods prescribed by the ASTM or the AASHTO. All tests not covered by the above shall be performed as specified by the Engineer.

3.2.1. When tests are made at the source of production, the producer shall furnish every reasonable facility for the performance of the tests and for the protection of testing equipment and supplies, and shall permit the Engineer to have free access to all parts of the plant to enable adequate inspection and selection of samples. Sources of supply of bituminous material where the Engineer is required to conduct tests shall have adequate testing facilities and satisfactory laboratory equipment, which equipment shall meet the requirements of the standard methods mentioned.

3.3. Storage of Materials. Materials shall be so stored as to ensure preservation of their quality and fitness for the work. The Engineer may direct that they be placed on wooden platforms or other hard, clean surfaces, and not on the ground and he may direct that they be placed under cover when weather conditions endanger the quality of the materials. Materials in storage shall be so arranged as to facilitate inspection. Lawns, grass plots, or private property shall not be used for storage purposes without written permission of the Owner or lessee.

No material or equipment shall be stored where it will interfere with the safe passage of public traffic, and at the end of each day's work and at other times when construction operations are suspended for any reason, the Contractor shall remove all equipment and other obstructions from that portion of the roadway open for use by public traffic. Spillage resulting from hauling operation along or across any public traveled way shall be removed promptly.

All aggregates and surfacing materials having a maximum size greater than one-half (1/2) inch shall be dumped in horizontal layers when placed in storage. Each layer shall not be more than three (3) feet in depth and the aggregates and surfacing materials shall be deposited in such a manner as to prevent segregation of the sizes.

3.4. Defective Materials. All materials not conforming to the requirements of the specifications shall be considered as defective, and all such materials, whether in place or not, shall be rejected and shall be removed immediately from the construction site unless otherwise permitted by the Engineer. No material which has been rejected, and the defects of which have been subsequently corrected or removed, shall be used until written approval has been given by the Engineer.

3.5. Materials to be Furnished by the Contractor. Unless otherwise stated, all materials needed in the work will be furnished by the Contractor. The Contractor will assume full responsibility in ordering materials of the quality specified and required in the specifications. The Contractor shall be responsible for the delivered costs of all materials ordered by him.

3.6. Quality Control Materials Testing. The City will complete the quality control materials testing. The Contractor will be responsible for scheduling the testing with the City's third party testing firm.

SECTION 4

PROSECUTION AND PROGRESS

4.1. Prosecution of Work.

4.1.1. Progress Schedule and Procedure. Immediately after execution of the Contract Agreement, the Contractor shall submit for approval a carefully prepared Progress Schedule and Procedure, showing the proposed dates of starting and completing each of the various sections of the work, methods of handling traffic and other potential problems of the particular project involved. This schedule must meet with the Engineer's approval prior to issuing the written notice from Purchasing notifying the Contractor to proceed with the work for which he has contracted (Notice to Proceed). If in the opinion of the Engineer proper progress is not being maintained, changes shall be made in the Contractor's operation to assure proper progress.

The Contractor shall elect to use an appropriate construction sequence with consideration given to maintaining access to all properties in the construction zone to the maximum extent practicable.

4.1.2. The Contractor is required to commence work within ten (10) days of the date specified in the Notice to Proceed and any work performed by the Contractor prior to the date specified shall be at his own risk.

4.1.3. The Contractor must continuously and diligently prosecute the work in such order and manner as will ensure its completion within the specified time. He shall be fully responsible for the prosecution and coordination of all work being performed under the Contract by Subcontractors.

4.1.4. The work in progress shall receive the personal attention either of the Contractor or of a competent and reliable superintendent who shall have full and final authority to act for him. In case the Contractor delegates authority to a superintendent, he shall notify the Engineer in writing, stating the name of the person authorized to act as superintendent, and stating the name or names of the persons authorized to sign the various documents such as Weekly Report of Working Days; Change Order; Force Account Statement; Labor Payroll; and any other documents that may be required during the progress of the work. If at any time progress in keeping with the intent of the Contract shall not have been made, the Contractor shall take such steps as may be necessary to complete the work in the time and manner specified.

4.1.5. In Contracts involving joint adventure, the joint adventurers shall, prior to beginning any work on the Contract, appoint a single representative delegated with full and final authority to act for the organization. The authority and obligations of this representative shall be those of the Contractor. The Engineer shall be notified in writing of the name of this representative and of any subsequent replacements.

4.2 The Contractor is required to arrange his work so as not to interfere with the operations of other Contractors engaged within the limits of his Contract or upon adjacent work. He is also required to join his work to that of others in a proper manner, in accordance with the spirit and intent of the plans and specifications, and to perform his work in the proper sequence

in relation to that of other Contractors.

4.3 Whenever work being done by other Contractors is contiguous or related to the work included in the Contract, the respective right of the various interests involved will be established by the Engineer in order to secure the completion of the various portions of the work in general harmony.

4.4. Cooperation with Public Utilities.

4.4.1. The general location of railroad facilities, of principal water mains, sewer pipes, telephone conduits, gas mains, pipe lines, pole lines, and other public and private utility facilities which will affect construction operations are indicated on the plans insofar as their locations are known. Some of these utilities are to remain in place; others may be removed entirely or in part by the Owners for relocation elsewhere. Bidders shall examine the site and shall consult with the various utility Owners regarding the relocations and adjustments required, also the location of any proposed facilities, and determine for themselves the locations of such utilities on the right of way which may affect their operations, whether or not shown on the plans. Submittal of a proposal will be presumed evidence that the Bidder has familiarized himself with all of the conditions and factors involved and is fully aware of any delay and inconvenience which may be occasioned thereby.

4.4.2. All utility companies having facilities within or adjacent to the limits of construction will be notified as early as possible by the Engineer and furnished with plans, so that all possible adjusting or relocating of facilities to conform with new construction may be completed prior to commencement of work by the Contractor. When adjustments or relocations have not been completed prior to constructing, the Contractor shall notify the Engineer, requesting that this work be done. The Contractor shall then coordinate his operations with the work of Owners making necessary adjustment, removals, or construction of new fixtures, and shall permit free access to the site for such work.

4.4.3. Should there be located within the right of way any public or private utility facilities which are to remain in place and which will interfere with the Contractor's proposed methods of operation, the Contractor shall make all necessary arrangements with the Owners for any temporary or permanent removal or relocation of such facilities desired for his convenience. Any cost involved shall be borne by the Contractor.

4.4.4. The Contractor will be responsible for any damage done to any telephone, telegraph, cable, fiber optic or power poles or lines, water or fire hydrants, gas mains and pipe lines, water mains and pipe lines, sewers, conduits and other accessories and appurtenances of a similar nature which are fixed or controlled by a municipality, public utility company, or corporation. The Contractor shall perform and carry on its work in such manner as not to interfere with or damage fixtures mentioned herein, or as shown on the plans, or discovered during construction which are to be left within the limits of the project. The City will not be responsible for any delay or damage incurred by the Contractor due to working around or joining its work to fixtures left in place.

4.4.5. The Contractor shall be responsible for all damage to any utility facility due directly to his operations regardless of location and he shall repair and replace as necessary any

such damaged facility or make payment to the Owner for repair or replacement.

4.4.6. It will be the Contractor's responsibility to contact all utility companies and verify the field location of all utility lines and facilities prior to commencement of work. The Contractor shall notify the utility companies of the intended schedule of work. Caution shall be exercised by the Contractor to avoid disturbing utilities during construction.

4.5. Temporary Suspension of Work. The Engineer shall have the authority to suspend work wholly or in part for such period or periods as he may deem necessary, when weather or other conditions are such that in the opinion of the Engineer the work may be done at a later time with advantage to the City, or for failure on the part of the Contractor to comply with any of the provisions of the Contract. Should it become necessary to stop work for an indefinite period, the Contractor shall store all materials in a manner that will protect them from damage and will not unnecessarily obstruct traffic; shall take every precaution to prevent damage to or deterioration of the work performed; and shall provide suitable drainage of the roadway by opening ditches, shoulder drains, etc.; and by erecting temporary structures where necessary. The Contractor may suspend work for reasonable cause upon the written approval of the Engineer. Liquidated damages shall not accrue during the period in which work is suspended by approval of the Engineer unless such suspension is due to the failure of the Contractor to comply with the provisions of the Contract. If work has been discontinued, the Contractor shall notify the Engineer in writing at least forty-eight (48) hours before resuming operations.

SPECIFICATIONS

SECTION 200

CLEARING AND GRUBBING

200.1. Description. Clearing and grubbing shall consist of removing, cutting and disposing of all brush, vegetation, logs, stumps, rubbish and other materials occurring within the limits of the improvement which will interfere with the excavation or which are unsuitable to be left in the roadway foundation. This shall also include the cutting, removing and disposing of all trees and stumps except those that will not interfere with the construction and not shown on the plans. The Contractor shall exercise due care in his construction operations to prevent marring or scarring of trees that are to remain. Stumps and roots in excavated or fill areas where depth of excavation or fill does not exceed three (3) feet shall be removed to a depth of eighteen (18) inches below subgrade. In fill areas where more than three (3) feet of embankment is required, trees and stumps shall be cut off at the surface of the ground.

Contractor shall do all clearing necessary for performance of his work and shall confine his operations to that area provided through easements, licenses, agreements, and rights-of-way. The Contractor's entrance upon any lands outside of that area provided by easements, licenses, agreements, or public rights-of-way, shall be at the Contractor's sole liability.

At least two weeks prior to the start of construction, property owners shall be notified by the Contractor of the proposed starting date. The purpose of this notification is so that the property owners can remove any small plants or flowers that they, the property owners, desire to save.

200.2. Payment. There shall be no direct payment for this item unless specified. The entire cost and expense of the item shall be included by the Contractor in the price per cubic yard for Excavation.

SECTION 201

EXCAVATION AND EMBANKMENT FOR STREET AND STORM SEWERS

201.1. Description. Excavation shall consist of removing all materials necessary for the proper construction of the work and disposing of this material in a satisfactory manner as approved or directed by the Engineer. Embankment shall be formed of suitable material taken from roadway and drainage excavation, borrow excavation and excavation for structures, and placed in successive horizontal layers distributed uniformly over the full width of the cross section. Embankment shall be made of sufficient height and width so that at the time of acceptance by the City, they will conform to the typical section shown on the plans.

201.2. Classification of Excavated Materials. In these specifications, excavating is divided into two classifications, earth and rock, which shall cover all materials encountered. The determination and classification of such excavated materials will be based on the following definitions:

- a. Earth excavation will include all materials not otherwise classified. Decomposed or disintegrated shale which, in the opinion of the Engineer can be effectively plowed, spaded, or removed with power driven excavating equipment, as well as blacktop pavement and gravel base, will be classified as earth.
- b. Rock excavation is defined as being sandstone, limestone, flint, granite, quartzite, or similar material, in masses measuring more than one (1) cubic yard in volume or in ledges four (4) inches or more in thickness, and which requires blasting or jack hammering for its practical and effective removal. Should rock be encountered in two (2) or more ledges, each ledge being not less than three (3) inches thick and with inter-lying strata or earth not over twelve (12) inches thick in each stratum, the entire volume from the top of the top ledge to the bottom of the bottom ledge of rock will be classified as rock.

201.3. General. After all stripping has been done, excavation of every description and of whatever substances encountered within the clearing limits of the project shall be performed to the lines and grades indicated on the drawings. All suitable excavated material shall be transported to and placed in fill areas within the limits of the work as specified and shown on the drawings. All excavated materials which are considered unsuitable by the Engineer and any surplus of excavated material which is not required for fill will be known as "waste" and shall be disposed of by the Contractor at his own expense and responsibility and to the satisfaction of the Engineer. Any additional fill material required which is not available from excavation within the project area shall be supplied by the Contractor. All such material brought to the site by the Contractor shall be subject to the approval of the Engineer. During construction, excavation and fill shall be performed in a manner and sequence that will provide positive drainage at all times.

- a. Unsuitable Material is defined as muck, frozen material, organic material, top soil, rubbish, and rock with a maximum dimension greater than 24 inches.
- b. Suitable Material. Suitable material is defined as entirely imperishable with that portion passing the No. 40 sieve having a liquid limit not exceeding 40 and a plastic

index not exceeding 25, when tested in accordance with ASTM D-423 and D-424, respectively.

1. Rock Embankment. Material for rock embankment shall be free of unsuitable material and shall contain, by volume, greater than 10 percent rock or gravel having a maximum dimension greater than 3 inches but not greater than 24 inches.
2. Earth Embankment. Material for earth embankment shall be free of unsuitable material and shall, contain by volume, less than 10 percent rock or gravel having a maximum dimension greater than 3 inches.

201.4. Excavation for Structures. All structures shall be founded on undisturbed subsoil. Unauthorized excavation below the specified structure subgrade shall be replaced with concrete, at the expense of the Contractor.

Excavation shall be made in open cut to alignment and depth as shown on the profiles and drawings, except as otherwise indicated in the specifications and drawings. The Contractor shall make all necessary excavations for work included in this Contract.

Excavation for manholes, curb inlets, junction boxes and similar structures shall be sufficient to leave at least twelve (12) inches in the clear between their outer surfaces and the embankment or timber which may be used to hold and protect the excavation. In all cases the clearance between the outer face of structures and the surrounding excavation shall be sufficient to allow the proper performance of the work including the plastering of exterior wall surfaces where required by the specifications or plans.

The Contractor shall not open more trench in advance of construction than necessary to expedite the work, and in no case shall the length of open trench be greater than 300 feet. The trench shall be backfilled at the end of each day except as may be required to begin the next day's work. In no case shall more than ten (10) feet of pipe be left exposed. Trenches in the road shall be plated with steel sheets or patched with cold patch overnight. Plates shall be properly anchored and all edges of the plate shall be ramped with asphalt surface mix to prevent rattling.

Wherever necessary to prevent caving, the excavation shall be adequately sheeted, braced and drained so that workmen may work therein safely and efficiently. An engineered plan shall be submitted to Public Works for any sheeting, cribbing or bracing. Where trench bottom is in rock, the excavation limits shall allow solid rock to be exposed and cleaned of all loose material and cut to a firm surface before any foundation concrete is placed.

Whenever wet or otherwise unstable soil that is incapable of properly supporting the structures, as determined by the Engineer, is encountered such soil shall be removed to the depth required and the excavation backfilled to the proper grade with coarse sand, fine gravel, or other suitable material as may be authorized. All excavations for structures shall be kept dry and no pipe or reinforcing steel shall be installed in water and no water shall be permitted to inundate the reinforcing steel before concrete has been placed. All excavations shall be kept dewatered to the extent that water will not come in contact with any concrete within twelve (12) hours after

placing. When excavations are carried below ground water elevations such excavations shall be dewatered by lowering and maintaining the ground water level at least twelve (12) inches below such excavations during all construction, including subgrade excavation, placing of reinforcing steel or pipe, placing of concrete, plastering of masonry, and shall be maintained in a dry condition until all concrete has been placed and allowed to harden for at least twelve (12) hours as specified above.

201.5. Excavation for Roadway. Grading shall conform to the typical sections shown on the drawings and shall be finished within a tolerance of one-half (1/2) inch of the grades indicated. Any soft and unsatisfactory material within the limits of the pavement areas shall be removed and disposed of as directed by the Engineer, and the basis of payment shall be the same as for excavation. Fill material required in excess of that produced by normal grading operations shall be excavated from areas indicated on the drawing or as directed by the Engineer. Excavated material not acceptable for use as fill shall be disposed of by the Contractor at his own expense as directed by the Engineer.

Cut compaction shall be performed at proposed roadway pavement after removal of the roadway excavation material to the required section. A surface parallel to the pavement slope, 12 inches below the bottom of the pavement or lowest base course, shall be temporarily exposed for the full width below roadway inslopes. The exposed material shall be manipulated and compacted to no less than the required density to a depth of 6 inches. The material above this compacted plane shall be spread in layers not exceeding 8-inch loose thickness, each layer being wetted or dried as necessary and compacted to the specified density. The entire volume of material so handled and compacted, including the 6-inch layer compacted in place, will be considered as Cut Compaction. All cut compaction shall be tested per 201.11.b.

Cut compaction shall be performed an additional depth of 12 inches for 50 feet on each side of the intersection of the natural ground and the top of the subgrade, then uniformly graded for 30 feet to meet the depth requirements above.

The existing ground for the full width between roadway slopes under embankments less than 18 inches high shall have cut compaction to a depth to ensure that 18 inches of material of the required density and moisture is below the top of the finished grade.

201.6. Excavation for Storm Sewers.

a. General. The Contractor shall perform all excavation of every description and of whatever substances encountered to the depths indicated on the drawings or as otherwise specified. During excavation, material suitable for backfilling shall be piled in an orderly manner a sufficient distance from the banks of the trench to avoid overloading and to prevent slides or cave-ins. All excavated materials not required or suitable for backfill shall be removed and disposed of off the site, by and at the expense of the Contractor. Such grading shall be done as may be necessary to prevent surface water from flowing into trenches or other excavations, and to maintain the flow of water in natural water courses on or adjacent to the site. Any water accumulating in trenches or other excavations, shall be removed by pumping or by other approved methods. Unless otherwise indicated or authorized, excavation shall be by open cut. The use of excavation machinery will be permitted except in places where operation of same will cause damage

to trees, buildings, or existing structures above or below ground, in which case hand methods shall be employed.

b. Trench Bracing and Sheeting. If trench box construction is used, the trench box shall not extend below the top of the pipe. An engineered plan shall be submitted to Public Works for any sheeting, cribbing or bracing. The plan must be approved by the Engineer prior to beginning work.

c. Dewatering of Trenches. During excavation, pipe laying and jointing, or other work necessary for the installation of the storm sewers, trenches shall be kept free from water and in a workable condition. Where the trench bottom is found to be unstable or unsatisfactory because of water, and in all cases where the trench bottom falls below the ground water level by means of well points, pumps or by other means acceptable to the Engineer a sufficient amount to keep the trench free from water and the trench bottom stable at any time that work within the trench is in progress. As specified herein before the Contractor shall take all necessary measures to prevent surface water from entering the trench and he shall further take all necessary measures to prevent the inundation or damage to any private property or structures adjacent to the site of the work.

d. Trench Alignment and Grade. The alignment, depth, and grade of all storm sewer trenches shall be maintained as shown on the drawing. Establish required uniform line and grade in trench from benchmarks identified by the Engineer. Maintain this control for minimum of 100 feet behind and ahead of pipe-laying operation. Use laser beam equipment to establish and maintain proper line and grade of work.

e. Trench Width. Width shall be no wider than is necessary for the proper jointing of the pipe and in no case shall exceed the trench widths in the corresponding bedding details, unless specifically authorized by the Engineer.

f. Unauthorized Trench Widths. Where trench widths as specified above, are exceeded for any reason other than by order of the Engineer, either special pipe embedment, concrete cradle, concrete encasement, or other suitable methods shall be required as demanded by loading conditions and as ordered by the Engineer. Any additional work required, as stipulated above, as a result of unauthorized over excavation shall be performed by and at the expense of the Contractor.

g. Preparation of Pipe Subgrade. Pipe subgrade shall be prepared after rough trenching is complete and shall be done with hand tools immediately prior to installing pipe. The bottom of the trench shall be prepared so as to provide uniform support of the bottom quadrant of the pipe and bell holes or depression shall be hand excavated where bell and spigot pipe is used. The trench bottom shall be evenly graded as indicated on the plans and areas which are too high shall be shaved as required. Any portions of the trench bottom which are found to be too low shall be filled with suitable material, thoroughly rammed and tamped and brought to true grade.

h. Replacement of Unsuitable Pipe Foundation Material. Where, in the opinion of the Engineer, the trench bottom is found to be of a wet or otherwise unstable material or where it is impossible to provide proper bearing for the pipe, or where it is found to be

impossible to carry on construction operation due to the condition of the trench bottom, the Contractor shall remove all unstable or unsuitable material to a depth of not less than four (4) inches below the elevation of the pipe subgrade over the entire width of the trench and shall replace and backfill with a suitable finely divided material of acceptable quality and sufficiently damp for proper compaction. Such material shall be thoroughly compacted by tamping or rolling over the entire width of the trench and shall be brought to proper grade and shape and the proper elevation for the installation of the pipe as shown on the plans.

201.7. Blasting. Contractor is responsible to comply with all regulations and permitting for blasting.

All excavated rock or shale which cannot be handled and compacted as earth shall be kept separate from earth and shall not be mixed with other backfill except as specified and directed.

201.8. Excavation through Pavement. Pavement, pavement base course, concrete walks, and concrete curbing shall be cut and removed only where shown on the plans, where specified or where directed and authorized by the Engineer. Cuts shall be no larger than necessary to provide adequate working space for installation of the pipe appurtenance or structure, except where other miscellaneous removals are required on the drawings. Payment for removal of concrete pavement, sidewalk, floor slabs, and curbing shall be made according to the unit prices shown in the bid form. Measurement of quantities so removed shall be as specified hereinafter in the applicable sections.

All cuts in pavement, walks or curbing shall be neatly sawn and shall be straight and parallel to existing construction joints. Any pavement, curbing, gutter or sidewalks, the removal of which was not required in conjunction with construction under this Contract, which is damaged due to construction operations by the Contractor shall be removed and replaced by the Contractor in first class manner, as hereinafter specified, at his own expense.

201.9. Protection of Existing Utilities. Due care must be taken not to disturb inlet covers, manhole frames, valve boxes, fire plugs, house connections or private water pipes. If not set to the proper grade they will be adjusted by the various City Departments or public utility corporations or private Owners, unless otherwise directed by the Engineer.

The Contractor will be held responsible for any damage done to house connections or private water pipes and accessories, if two (2) feet or more below top of curb and one (1) foot or more back of face line of curb, in the case of street construction, or if two (2) feet or more below the grade of finished pavement in connection with alley construction.

201.10. Pavement Replacement. All pavement, curbing, gutter, or sidewalks removed during construction of the project for any reason shall be replaced unless otherwise shown on the drawings or directed by the Engineer, the replacement construction conforming in type, quality, and dimensions to that of the portion so removed. Replacement shall conform to City patching details where applicable.

201.11. Embankment.

a. Preparation of Ground Surface for Fill. All vegetation, such as roots, brush, heavy sod, heavy growth or grass, and all decayed vegetable matter, rubbish, and other unsuitable material within the area upon which fill is to be placed shall be stripped or otherwise removed before the fill is started. In no case will such objectionable material be allowed to remain in or under the fill area. Sloped ground surfaces steeper than one (1) vertical to four (4) horizontal on which fill is to be placed, shall be plowed, stepped (benched), or broken up in such manner that the fill material will bond with the existing surface.

b. General. Where filling is required to raise the subgrade under areas to be paved or surfaced, all fill materials shall consist of earth or other approved material. All organic or other undesirable material shall be removed. Where embankments, regardless of height, are placed against hillsides or existing embankments, either of which have a slope steeper than 1 vertical to 4 horizontal, the existing slope shall be benched or stepped in approximately 24 inch rises as the new fill is brought up in 8 inch maximum layers or lifts. The material bladed out, the bottom of the area cut into, and the embankment material being placed, shall be compacted to the required density. Material cut out, bladed into place and compacted shall not be measured and paid for directly but will be considered as incidental work.

All fill under paved surfaces such as streets and parking lots shall be compacted by a power roller or other approved equipment and the subgrade brought to a reasonably true and even plane. Earth used for fill shall be placed in layers not more than eight (8) inches thick, an uncompacted measurement, and shall be compacted as specified before the next layer is placed. Each layer shall be wetted or dried as necessary, and shall be compacted to the required density. Regardless of the type of equipment used, the roadway shall be compacted uniformly and the surface kept reasonably smooth at all times. If large pieces of heavy clay are encountered, the material shall be broken down by suitable manipulation to permit satisfactory embankment construction. If shale is encountered, the shale shall be broken down as much as practical and compacted at or above optimum moisture.

Each layer shall be uniformly spread, moistened as required, and then compacted to ninety percent (90%) of maximum density, obtained at the optimum moisture content, as determined by AASHTO Method T-99-38. The top eighteen (18) inches shall be compacted to ninety-five percent (95%) of maximum density. The field density of the lift will be determined in accordance with AASHTO T 191 or T 205, using the total material or T238, Method B Direct Transmission, for wet density. If nuclear density methods are used, moisture content will be determined in accordance with AASHTO T239. One test shall be taken for every 1,000 linear feet or fraction thereof for each lift. Testing is to be done by a third party independent testing agency or by the Contractor if the Contractor has demonstrated to the Engineer that Contractor employs qualified persons and maintains qualified equipment to conduct density testing. Test results shall be furnished on forms acceptable to Engineer. Contractor shall proof roll the final lift of fill material in accordance with the proof rolling requirements of Section 205.2. Costs of all testing and retesting are the responsibility of the Contractor.

201.12. Backfill.

Classification of backfill materials. Backfill materials in these specifications shall conform to the Standard Installation Direct Design (SIDD) categories per the chart below.

SIDD Soil	USCS	Standard AASHTO
Gravelly Sand (Category I)	SW, SP, GW, GP	A1, A3
Sandy Silt (Category II)	GM, SM, ML, Also GC with less than 20% passing #200 sieve	A2, A4
Silty Clay (Category III)	CL, MH, GC, SC	A5, A6

a. Roadway Backfill. After completion of roadway, curb and gutter, and other construction below the elevation of final grades, all forms shall be removed and the excavation shall be cleaned of trash and debris. Backfill shall be free of all objectionable material and shall be placed in horizontal layers not more than eight (8) inches thick, and shall have a proper moisture content for the required degree of compaction. All parking areas, driveways, streets, and other paved areas shall be backfilled with approved material and compacted to ninety-five percent (95%) of maximum density obtained at the optimum moisture content. Testing is to be done by a third party independent testing agency or by the Contractor if the Contractor has demonstrated to the Engineer that Contractor employs qualified persons and maintains qualified equipment to conduct density testing. Test results shall be furnished on forms acceptable to Engineer. Tests shall be taken once for every 1,000 linear feet or fraction thereof for each lift. Costs of all testing and retesting shall be borne by the Contractor.

Backfilling and grading behind curbs shall be performed to the lines and grades indicated on the drawings. The backfilled area shall provide a smooth, even transition from the existing lawn grades to the curb and shall be done so as to assure desired drainage.

When indicated on the plans and included as a bid item, the top four (4) inches of backfill behind curbs shall be topsoil, free from rocks, gravel, and any undesirable material. This material may be either topsoil available within the limits of the project or it may be topsoil furnished by the Contractor. Payment for topsoil will be made on the basis of the bid quantity, except when:

- Errors are found in the original computation or ground elevations.
- An authorized change in grade or typical section is made.
- An unauthorized deviation decreases the quantities on the plans.
- All driveways, paved or unpaved, which are disturbed by grading or excavation of any kind shall be graded and shaped to provide a reasonable approach, and shall upon completion of the job be left in passable condition. All driveway approaches except those which the Owner is having paved at the time of this Contract shall receive four (4) inches of crushed rock to the extent of the portion disturbed. Crushed rock shall be a

maximum size of one (1) inch surface rock.

b. Trench Backfill

1. Materials. All materials which are to be compacted by tamping or rolling, including all tamped embedment, shall be free from sticks, large roots, or other organic matter coarser than grass roots, stones, hard lumps, and clods, and shall have a moisture content such that optimum compaction is obtained when properly tamped or rolled. Debris, frozen material, large clods, stones, organic matter, or other unstable materials shall not be used for final backfill within 2' of the top of pipe.

Unsuitable Foundation Bedding. Granular material for replacement of unsuitable foundation material removed from trench bottoms shall consist of 6" gabion rock.

Flowable Backfill. Flowable backfill shall be a Controlled Low Strength Material (CLSM). CLSM shall be composed of Portland cement, fly ash (optional), fine aggregate, coarse aggregate (optional), water, and a shrinkage compensator. Cement shall be either Type I or Type II Portland cement. Mixing water shall be potable. Air entrainment admixture shall consist of an organic compound which will result in air contents as prescribed by ASTM C 173 or C 231. Fine aggregate shall be washed and consist of clean, hard, durable and uncoated particles of natural or manufactured sand or a combination thereof, with or without mineral filler. Aggregate shall be free of injurious amounts of salt, alkali, vegetable matter or other objectionable material. Coarse aggregate shall be sound, durable, clean rock or broken concrete (2" to 8" square) to minimize the quantity of CLSM. The CLSM shall be placed to a depth of 2 feet then coarse aggregate may be added to the CLSM mixture until the top of the CLSM and top of aggregate are approximately equal. The process may be repeated until the fill is completed. CLSM shall be removable (less than 100 PSI) and comply with the following mix design:

Cement	144 lbs
Water	396 lbs
Sand	2,698 lbs
Air entrainment	13%

Where CLSM is being placed over or adjacent to crushed stone backfill, a layer of filter fabric shall be installed between the two materials.

Inundated sand backfill is not acceptable.

Coarse aggregate (1-1/2") may also be added at the batch mix plant. Coarse aggregate is not to replace fine aggregate.

Rock Backfill. Rock backfill shall consist of 1" Road Rock. The rock shall be brought up in 6" lifts and have the following gradation.

Sieve Size	% Passing
1"	100
3/4"	85-93
1/2"	65-75
3/8"	52-64
#4	25-45
#30	10-15
#200	5-10

Other gradations may be approved by the engineer provided the material is compactable with minimal settlement and will not provide a conduit for water to enter the subgrade surrounding the trench.

Backfill material shall be near optimal moisture content as determined by the standard proctor.

2. Compaction. All backfill shall be thoroughly compacted by pneumatic tampers, or other approved methods, to the original state of consolidation of the soil encountered. Backfill shall be placed in uncompacted lifts not to exceed six (6) inches and each lift shall be thoroughly and adequately compacted. Care shall be exercised not to disturb the pipe when placing backfill. The compacted earth backfill shall be brought to an elevation of approximately six (6) inches below the finished surface grade and then surface grade constructed. Testing shall be similar to that required at embankments per 201.11.b except that tests shall be taken once for every three hundred (300) linear feet of trench or fraction thereof for every other lift. Backfill using 1" clean aggregate does not require testing.

After backfill and compaction is complete trenches shall be leveled off and grading shall be performed as is necessary to restore yards or other grassed or sodded areas to their original condition or better.

Backfill under pavements shall be flowable fill. Flowable fill shall be placed from a maximum of one foot (1') above top of utility to the underside of pavement base course. If pavement does not have a base course, stop flowable fill six inches (6") below bottom of pavement and provide a six inch (6") cushion course of 1" clean aggregate.

3. CLSM Maximum Depth. – The depth of flowable fill shall comply with the following:

- a. If the distance from the top of the utility/pipe to the subgrade is five feet or less, the entire depth from subgrade to twelve (12) inches above the top of utility/pipe shall be flowable fill.
- b. If the distance from the top of the utility/pipe to the subgrade is over five feet, the top four feet below subgrade shall be flowable fill. The remainder of the backfill may be overfill soil compacted per the specifications or flowable fill at the contractor's option.

4. Utility Crossings. – Where a utility is located above another utility or where two utilities cross, the bedding material shall be extended to properly bed the higher utility then the overfill soil and flowable fill placed per specifications.

5. Plates. – Flowable Fill requires a minimum of 24 hours to set. This will require trenches with flowable fill to be plated or barricaded trenches with traffic detoured in accordance with MUTCD standards. Maximum trench width requiring flowable fill is six (6) feet wide. See details 540.01 and 9A for maximum trench width.

When a backfilling operation of an excavation occurs in the traveled way, whether transverse or longitudinal, and the project cannot be properly completed within a standard work day as defined by section 12A of the City of Columbia Code of Ordinances, steel plate bridging with a non-skid surface and shoring will be required to preserve unobstructed traffic flow. In such cases, the following conditions shall apply:

- a. Steel plates used for bridging must extend a minimum of 12” beyond the edges of the trench.
- b. Steel plate bridging shall be installed to operate with minimum noise.
- c. The trench shall be adequately shored, as mentioned in Section 201, to support the bridging and traffic loads.
- d. Temporary paving with fine graded asphalt concrete shall be used to feather the edges of the plates, if plate installation is used.
- e. Bridging shall be secured against displacement by using adjustable cleats, shims, or other devices.

Approach plate(s) and ending plate (if longitudinal placement) shall be attached to the roadway by a minimum of 2 dowels pre-drilled into the corners of the plate and drilled 2” into the pavement. Subsequent plates shall be butted to each other. Fine graded asphalt concrete shall be compacted to form ramps, maximum slope 8.5% with a minimum 12” taper to cover all edges of the steel plates. When steel plates are removed, the dowel holes in the pavement shall be backfilled with either graded fines of asphalt concrete mix, concrete slurry or equivalent slurry that is satisfactory to the City of Columbia.

The contractor is responsible for maintenance of the steel plates, shoring, asphalt concrete ramps, and ensuring that they meet minimum specifications. Unless specifically noted in the special provisions, or approved by the City of Columbia, use of steel plate bridging should not exceed 4 consecutive working days in any given week. Backfilled excavations shall be covered with a minimum 3 inches temporary layer of cold asphalt concrete until permanent surface can be installed.

Trench Width	Minimum Plate Thickness
1'	1/2"
2'	3/4"
3'	7/8"
4'	1"
5'	1.25"
6'	1.25"

6. Removed.

7. Trenches wider than 6 feet. – When excavation becomes wider than six (6) feet adhere to the following:

a. Residential Streets

1. Concrete

- a. Minimum of two entire concrete panels are to be removed.
- b. May close street (except in cul-de-sacs) or provide MUTCD compliant traffic control.
- c. Excavate all subgrade within one (1) foot of existing panels to a minimum depth of eighteen (18) inches.
- d. Backfill to be brought up with compacted aggregate in six (6) inch lifts and tested per specifications OR flowable fill may be used.
- e. Four (4) inches of type 3 aggregate base is to be placed under the street.
- f. Dowel Panels per specifications.

2. Asphalt

- a. Minimum size of replacement to be ten (10) foot by ten (10) foot square.
- b. Two (2) foot minimum clearance to be left between edge of pavement replacement and leading edge of gutter.
- c. May close street (except in cul-de-sacs) or provide MUTCD compliant traffic control.
- d. Excavate all subgrade within one (1) foot of existing pavement to a minimum depth of eighteen (18) inches.
- e. Backfill to be brought up with compacted aggregate in six (6) inch lifts and tested per specifications OR flowable fill may be used.
- f. Four (4) inches of type 3 aggregate base is to be placed under the street
- g. Pave per asphalt paving specifications

Arterials and Collector Streets – Will be handled on a case by case basis with City of Columbia Public Works Department.

8. Required Testing. – Testing shall follow section 201.11b, except proof rolling shall not be required.

c. Structure Backfill. Backfilling of all structures shall be permitted only after an adequate curing time, as determined by the Engineer, has elapsed.

All excavations shall be backfilled to the lines and grades shown on the drawings.

In no instance shall backfill be dumped, bull-dozed, or otherwise deposited in bulk upon the newly-constructed structure. After the required curing time, the excavation shall be backfilled by depositing, entirely without shock and with careful pneumatic tamping, suitable earth, sand, or other acceptable material in lifts not to exceed six (6) inches in compacted thickness. Backfill shall be deposited at approximately the same elevation on opposite sides of the structure and shall be compacted in place to a density equal to or greater than ninety-five percent (95%) of maximum density as determined by the Standard AASHTO Method T-99-38. Inundated sand backfill shall not be used.

No trench backfill material containing rock, or debris from rock excavation, shall be placed in the upper eighteen (18) inches of the excavation except with the specific permission of the Engineer. Large stones may be placed in the remainder of the trench backfill only if well separated and so arranged that no interference with backfill compaction will result.

Any deficiency in the quantity of material for backfilling the excavation, or for filling depressions caused by settlement, shall be supplied by the Contractor. All excavated material in excess of that necessary to fill the trench to the grade shown on the drawings shall be removed and disposed of by the Contractor.

- d. Responsibility of Contractor for Backfill Settlement. The Contractor shall be responsible for the satisfactory compaction and maintenance thereof, for all trenches and structural excavation of any description required under this Contract. Contractor shall warrant their work for a period not less than the correction period from the date of acceptance. If prior to the expiration of this warranty, any trenches or other excavations are found to have settled they shall immediately be reworked by the Contractor and restored to the specified grades. Any sod, paving, or other surfacing damaged by settlement of trenches shall be replaced by and at the expense of the Contractor.

201.13. Method of Measurement and Basis of Payment.

a. Roadway Excavation. Final measurement of roadway excavation will not be made unless otherwise designated in the Contract. A partial check of existing ground elevations will be made at the time slope stakes are set, and of the finished work for deviations in the grade, widths or slopes from the authorized grade or typical section. Plan quantities will be used for final payment of Earth Excavation except when:

- Errors are found in the original computation or ground elevations.
- An authorized change in grade or typical section is made.
- Unauthorized deviations decrease the quantities on the plans.
- Rock Excavation is encountered. Roadway excavation will be re-computed for these sections where the ground elevations shown on the plans are found to be erroneous. No re-computation of plan quantities will be made when the actual

ground elevations are considered to generally agree with the ground line shown on the plans. Where the Engineer authorized a change in grade or typical section affecting the volume of excavation, the volume of excavation allowed for payment will be determined by the average end area method on the basis of the revised grade or typical section. Where unauthorized deviations result in a decrease in the quantities the plans, the deviations will be measured and deducted from the plan quantity. The volume of rock excavation will be determined by the average end area method. The volume of earth excavation allowed for payment will be the total volume of roadway excavation shown on the plans or the revised quantity, regardless of classification, minus the measured volume of rock excavation.

Basis of Payment. Payment for roadway excavation will be made at the Contract unit price per cubic yard (for each class of excavation) which price shall be full compensation for the excavating and hauling; placing and forming of embankments; preparation of subgrade; clearing grubbing, and any work noted on the plans to be included in the price bid for excavation. Payment will be made under:

- Item No. 201.1. Earth excavation, per cubic yard.
- Item No. 201.2 . Rock excavation, per cubic yard.

b. Trenching.

1. Earth. Payment for all trench excavation and backfill in earth shall be included in the Contractor's unit price per lineal foot for storm sewer construction as set forth in the proposal. Such unit price shall include cost of all equipment, labor, and materials used in conjunction with the trenching operations. Payment will be made under:

- Item No. 201.3. Storm sewer construction, per lineal foot.

2. Rock. Payment for all trench excavation and backfill encountered in rock, as defined in this section of the specifications, shall be made at the unit price per cubic yard for rock excavation, storm sewer as set forth in the proposal. Upper pay limit for rock excavation shall be the top surface of the rock and lower pay limit shall be the bottom stratum or layer of the rock or the flow line of the pipe, whichever is higher in elevation. Width limit for payment for rock excavation shall be per pipe embedment details 540.01 and 540.02. Payment will be made under:

- Item No. 201.4. Rock excavation, storm sewer, per cubic yard.

c. Structural Excavation.

1. Earth. Payment for all earth excavation and backfill required in constructing drainage structures such as catch basins, curb inlets, junction boxes, and headwalls, shall be included in the unit price for each such structure as set forth in the proposal. Payment for earth excavation and backfill required in construction of the reinforced concrete boxes and retaining walls shall be included

in the unit price for structural reinforced concrete as set forth in the proposal. No separate pay item for this structural earth excavation shall be included in the Contract.

2. Rock. Where rock, as defined herein, is encountered in the excavation for structures such as those listed above, it shall be paid for at the unit price per cubic yard for rock excavation, storm sewer as set forth in the proposal. Upper and lower pay limits shall be as defined hereinbefore for trenching in rock and the later limits shall be defined as vertical planes spaced eight (8) inches outside the walls of any structure. Payment will be made under:

Item No. 201.5. Rock excavation, storm sewer, per cubic yard.

d. Crushed Rock for Driveways. Crushed rock for driveway approaches shall be paid at the Contract unit price per ton for crushed rock in place. Payment will be made under:

Item No. 201.6. Crushed rock for driveway approaches, per ton.

e. Topsoil for Backfill in Lawns. Topsoil for backfill in lawns shall be paid at the Contract unit price per cubic yard for topsoil in place. Payment will be made under:

Item No. 201.7. Topsoil for backfill in lawns, per cubic yard.

SECTION 202

BORROW EXCAVATION

202.1. Description. If the filling is in excess of excavation the Contractor shall secure the necessary material from such borrow pits as may be indicated on the plans, or if no such location is indicated, or if the amount in the indicated location is insufficient, he shall furnish material satisfactory to the Engineer.

202.2. Methods in Borrow Excavations. If the Contractor places more borrow than is required, thereby causing a waste of excavation, the amount of such waste shall be deducted from the borrow as measured in the borrow pit. Borrow material shall not be placed until after the roadway excavation has been placed in the fill. All borrow pits shall be neatly trimmed and left in such shape as to permit reasonably accurate measurement after the excavation has been completed.

202.3. Method of Measurement. Final measurements of borrow area will not be made.

202.4. Basis of Payment. The plan quantities will be used for final payment of borrow excavation in cubic yards.

The foregoing work, which includes all material, equipment, tools, labor, compaction and work incidental thereto, will be considered as completely paid for by the Contract price per cubic yard under:

Item 202.1. Borrow excavation, per cubic yard.

SECTION 203

SEEDING AND MULCHING

203.1 Description. This section covers the operations necessary to produce established grass covered areas, including preparation of the soil surface, application of starter fertilizer, seeding, sodding, compacting and maintenance.

All areas with vegetation cover that are disturbed by construction operations, either by grading, parking of equipment, trenching, or any other operation that destroys the existing vegetative cover shall be seeded or sodded as specified herein.

- a. Seeding. All disturbed existing vegetated areas shall be seeded, including grassy areas, and pasture lands.
- b. Sodding. All disturbed areas shall be seeded unless specifically noted on the plans and Contract documents. In cases where sod is required, the type of sod to be used shall follow the requirements of section 204

Disturbed areas outside the authorized construction limits shall be seeded and mulched, or sodded at the Contractor's expense.

203.2. Personnel and Equipment. All work shall be performed by personnel who are experienced and qualified in the work required, utilizing equipment such as fertilizer spreader, farm tractor with tilling equipment, harrow, and power drawn precision brilliant-type seeder designed to uniformly distribute the seed, cover, and firm the soil in one operation.

203.3. Submittals. The Contractor shall furnish to the Engineer a typed and signed statement which certifies that each container of seed delivered to the Contractor for this project is fully labeled in accordance with the Federal Seed Act and is at least equal to the requirement for seed listed in the seed paragraph of this specification. This certification shall appear on or with all copies of invoices for the seed.

203.4. Materials.

- a. Topsoil shall consist of a fertile, friable soil of loamy character, free of sub-soil, clay, hard clods, stones, pebbles and other similar material. Topsoil shall be placed at a depth of four (4) inches. Topsoil shall contain a normal amount of natural humus and be reasonably free of roots, sand, noxious weed seeds, sticks, brush and other litter. The topsoil shall be obtained from well-drained, arable land, and be of an even texture so that all the soil will pass a ½ inch screen. The topsoil shall not be infested with nematodes or with any other noxious animal life or toxic substances. Compost shall be rototilled with the soil at a mixture of 2 inches of compost to 4 inches of soil for a minimum depth of 6 inches. Topsoil shall exhibit an acidity range (pH) of 6.0 to 8.5.

- b. Seed shall be labeled in accordance with U.S. Department of Agriculture Rules and Regulations under the Federal Seed Act and shall comply with the requirements of the Missouri Seed Law.

The pure live grass seed mixture to be used in lawn and undeveloped areas shall be as follows:

Type	% of Mixture by Weight	Minimum Purity	Minimum Germination
Ultimate Tall Fescue	30%	99%	90%
Fine Lawn Elite Tall Fescue	30%	98%	90%
Falcon Four Tall Fescue	20%	99%	90%
Annual Rye	20%	99%	90%

The percent of mixture by weight is for pure live seed (PLS). The seed broadcast shall be a minimum of 5 pounds per 1,000 square feet. Weed seed shall not exceed 1.0% by weight of the mixture. A certification of the mixture shall be furnished to the Engineer prior to seeding.

- c. Fertilizer shall be a mixture containing 5.5 pounds of soluble nitrogen, 16 pounds of phosphorous and 16 pounds of potash per 100 pounds.
- d. Agricultural lime material shall be used for soil neutralization with not less than 90% passing the No. 8 sieve.
- e. Mulch shall consist of the application of a vegetative covering of one of the following types:
 1. Type I Mulch shall be the cereal straw from stalks of oats, rye, wheat or barley, which is clean, bright, and free of mold. The straw mulch shall be dry and relatively free of undesirable seed and foreign material.
 2. Type II Mulch shall be as specified above for Type I mulch except that it shall also include the application of an overspray material consisting of virgin wood cellulose fibers or recycled slick paper as herein specified. The overspray shall be green in color after application and shall have the property to be evenly dispersed and suspended when agitated in water. When sprayed uniformly over vegetative mulch, the mulch fibers shall form an absorbent cover, allowing percolation of water to the underlying soil. The mulch shall be packaged in moisture resistant bags with the net weight of the packaged material plainly shown on each bag. The mulch fibers shall not be water soluble.

Virgin wood cellulose fibers shall be produced by either the ground or cooked fiber process and shall have the following properties:

Moisture Content, Percent by Weight (maximum)	15%
Organic Matter-Wood Fiber, Percent by Weight (minimum)	80%
Ph	4.3-8.5

Recycled slick paper mulch shall be produced from printers slick paper containing wood cellulose and kaolin clay. Recycled newsprint or cardboard will not be allowed. The material shall be free of other material or fillers and shall have the following properties:

Moisture Content, Percent by Weight (maximum)	8%
Ph	4.5-6.5

The Contractor shall furnish certification from the manufacturer that the overspray mulch material complies with these specifications.

3. Type III Mulch shall be material consisting of virgin wood cellulose fibers as herein specified. The mulch shall be green in color after application and shall have the property to be evenly dispersed and suspended when agitated in water. When sprayed uniformly over the soil surface, the mulch fibers shall form an absorbent cover, allowing percolation of water to the underlying soil. The mulch shall be packaged in moisture resistant bags with the net weight of the packaged material plainly shown on each bag.

Virgin wood cellulose fibers shall be produced by either the ground or cooked fiber process and shall have the following properties:

Moisture Content, Percent by Weight (maximum)	15%
Organic Matter-Wood Fiber, Percent by Weight (minimum)	80%
Ph	4.3-8.5

The Contractor shall furnish certification from the manufacturer that the mulch material complies with these specifications.

203.5. Construction Requirements

- a. Seeding shall not be placed from October 16 to December 31. Full seeding shall only be placed from January 1 to May 15 and from August 15 to October 15. Seeding shall not be placed on frozen or snow covered ground. Partial seeding shall be placed from May 16 to August 14. Type II mulch shall be used with partial seeding. The application rates for partial seeding are as shown below:

Lime	100% of the specified quantity
Fertilizer	75% of the specified quantity
Seed	50% of the specified quantity

When partial seeding is placed, the remainder of the fertilizer plus 75% of the specified quantity of seed shall be applied by hydraulic overseeding from August 16 thru October 15. Hydraulic overseeding shall be applied over the

existing Type II mulch. Seed and fertilizer, separately or in combination, shall be mixed with water, and constantly agitated so that a uniform mixture can be applied hydraulically to the specified areas. The ratio of seed and fertilizer to water shall be calculated to achieve the specified coverage rates using a total of 500 gallons of water per acre applied in 2 applications. Seed shall not be added to the water more than 4 hours before application.

- b. For Type I or Type II Mulch: Seedbed preparation in lawn areas shall be accomplished by grading the disturbed areas and adding at least 4 inches of topsoil. The surface on which the topsoil is to be placed shall be free of all loose rock and foreign material greater in any dimension than 1/2 the depth of the topsoil to be added and the surface shall be loosened with a disc harrow just prior to being covered with topsoil. Topsoil shall be placed and spread to a depth sufficiently greater than specified so that after settling, the completed work will conform with the elevations shown on the plans. After spreading, all large clods and foreign material shall be removed by the Contractor.

Seedbed preparation in undeveloped areas shall be accomplished by: tilling to a depth of 4 inches with a disc harrow, followed by smoothing with a weighted spike tooth harrow. After smoothing, all rocks and clods greater in any dimension than 2 inches, and all foreign material shall be removed by the Contractor. Designation of areas as lawn or undeveloped will be determined by the condition of the area at the start of construction.

Before final raking, areas to be seeded shall be limed at the rate of 92 pounds per 1,000 square feet of area and fertilized with the specified mixture by spreading evenly at the rate of 7 pounds per 1,000 square feet of area. Both operations shall be performed by using a mechanical spreader of the rotary type. The area shall then be raked to a smooth, even surface and the soil loosened to a depth of one inch in preparation for the seed. No seed or mulch shall be placed until the Engineer accepts the grade and seedbed.

Seeding shall be accomplished by using a mechanical spreader. The seed mixture shall be evenly distributed over the area at the rate of 5 pounds per 1,000 square feet. Immediately after the seeding is completed, all seeded areas shall be mulched as described below for that type of mulch specified.

1. Type I Mulch must be applied in an even layer approximately 1/4 inch in depth. Immediately after placement of the mulch, the entire mulched area shall be thoroughly saturated with water.
2. Type II Mulch shall be applied same as for Type I Mulch with the addition of an overspray. The overspray shall be hydraulically applied as a separate operation at the rate of 750 pounds per acre. The overspray material shall be mixed with water in a manner to provide a homogeneous slurry. Equipment for mixing and applying the slurry shall be capable of applying it uniformly

over the entire vegetative mulched area. The slurry mixture shall be agitated during application to keep the ingredients thoroughly mixed.

- c. For Type III Mulch: Seedbed preparation shall be accomplished in the same manner as for Type I and II mulch up to the point of seeding. The seed and Type III mulch will be mixed and applied hydraulically with equipment approved by the Engineer. The hydraulic application shall be such that the seed mixture is distributed at the rate of 5 pounds per 1,000 square feet and the Type III mulch is distributed at the rate of 46 pounds per 1,000 square feet. The seed mixture and Type III mulch shall be mixed with water in a manner to provide a homogeneous slurry. Equipment for mixing and applying the slurry shall be capable of applying a uniform mixture over the entire area to be mulched. The slurry mixture shall be agitated during application to keep the ingredients thoroughly mixed.

203.6. Maintenance Requirements. Since the seeded area shall be maintained by the Contractor as necessary to assure growth. A guarantee period not less than the correction period from the Final Acceptance of the work will be required. During the guarantee period, if there are deficient areas where the grass died, or where sheet and rill erosion or settlement occurred, or where gravel or other deleterious backfill material surfaces, upon notification by the City of such areas, the Contractor shall re-work all areas as necessary to bring the areas into conformance with the specifications.

203.7. Measurement and Payment. All costs pertaining to the seeding and mulching shall be paid by the Contract unit price per square yard or lump sum, complete in place. Payment shall be made under:

Item No. 203.1. Seeding and Mulching, per square yard or lump sum.

SECTION 204

SODDING

204.1. Description. This item shall consist of placing approved live sod on prepared areas, as indicated on the plans and specified herein, or as ordered by the Engineer.

204.2. Material. The sod shall be at least three (3) year-old densely rooted tall type fescue mix, or other approved native perennial grasses, free from noxious weeds. It shall be from a loam soil of such character that the sod will not break up or crumble during the operations of cutting, transporting, or laying. Sod from light sand and from heavy clay soils will not be acceptable. It shall be cut in strips or rolls of uniform thickness of one (1) inch to one and a fourth (1 1/4) inch. The sod strips shall contain at least one-half (1/2) square yard and not more than one (1) square yard. Sod strips shall not be cut less than twelve (12) inches in width or more than nine (9) feet in length.

204.3. Construction. The area to be sodded shall be brought to a smooth and uniform surface and shall have all clods, stones, sticks, and other debris which would be harmful to sod growth removed. The soil on the area to be sodded shall be loosened and brought to a reasonably fine texture, to a depth of at least four (4) inches. The sodbed shall be limed and fertilized according to the general recommendations of the Boone County Agriculture Extension Service.

The sod shall be moist and shall be placed on a moist earth bed. No dry sod may be used. The sod strips shall be laid along contour lines, by hand, commencing at the base of the area to be sodded and working upward or as directed by the Engineer. The transverse joints of sod strips shall be broken and the sod carefully laid to produce tight joints. The sod shall be firmed, watered and re-firmed immediately after it is placed. The firming shall be accomplished by use of a lawn roller, tamper, or any other method approved by the Engineer.

On 3 horizontal:1 vertical slopes, or steeper, the sod shall be nailed to the ground with sod staples or with plastic pegs approximately 1/2" x 1" x 12" driven into the ground, leaving about one-half (1/2) inch of the peg above the sod, and spaced not more than two (2) feet apart. Pegging of the sod shall be done immediately after the sod has been firmed.

After the pegging has been completed, the sodded areas shall be cleared of loose sod, excess soil, or other foreign material, and then a thin layer of topsoil (about one-fourth (1/4) inch deep) shall be scattered over the sod as a top-dressing and the areas shall then be thoroughly moistened by sprinkling with water.

Sod shall not be placed during a drought nor during the period from June 1 to September 1, unless authorized by the Engineer. Frozen sod shall not be used and no sod shall be placed on frozen ground.

The Contractor shall keep all sodded areas thoroughly moist for two (2) weeks after laying. This shall include watering at least once a day.

204.4. Method of Measurement. Measurement will be made to the nearest square yard of approved sodded surface area.

204.5. Basis of Payment. Payment for sodding will be made at the Contract unit price per square yard, complete in place. No direct payment will be made for liming or fertilizing sodded areas. Payment will be made under:

Item No. 204.1. Sodding, per square yard.

SECTION 205

SUBGRADE

205.1. Description. That portion of the graded roadbed upon which surfacing is to be placed is hereby designated as the subgrade. The subgrade shall be constructed so that it will be uniform in density throughout its entire width and will conform to the line, grade, and cross section shown on the plans or as established by the Engineer.

205.2. Finishing. After excavation and embankment has been completed the subgrade shall be brought to true shape and rolled. It shall then be tested with an approved template furnished by the Contractor. If the subgrade is not to the proper elevation, material shall be added or removed as required and if material is added it shall be compacted in a manner satisfactory to the Engineer.

The entire subgrade shall be proof rolled with a minimum of two passes of a fully loaded tandem axle dump truck (weigh ticket to be provided). Truck shall be operated at between 2 ½ to 5 miles per hour allowing the Engineer to walk alongside and observe results. Truck shall make passes to cover the entire subgrade under the proposed pavement. Proof roll shall be scheduled a minimum of 24 hours in advance and witnessed by the Engineer. There shall be minimal evidence of deflection (less than one inch), rutting, or pumping. If the Contractor disputes the result of the proof roll, the Contractor at his own expense may hire an independent geotechnical engineer licensed in the state of Missouri to witness the proof roll. The independent engineer must be agreed upon by the Engineer. The recommendations of the independent engineer shall be final. Proof roll shall be redone if there is rain or the subgrade is otherwise disturbed prior to placing the base course.

This process shall be repeated until all irregularities are removed. Extreme care shall be taken in shaping the subgrade, so that at no place will the completed pavement vary from the specified thickness. All soft and yielding spots shall be removed to a depth of not-to-exceed two (2) feet, and all vegetable substances or unsuitable material shall be removed, and the resulting spaces shall be refilled with approved material. All large rocks or boulders encountered shall be removed or broken off to a depth of not less than six (6) inches below the finished surface of the subgrade, and the space shall be refilled. The subgrade shall again be rolled until no depressions occur.

205.3. Restoring Subgrade to Acceptable Condition. If the subgrade is disturbed in any manner after the work, described in the preceding paragraph, has been completed, it shall be brought to an acceptable condition by reshaping and rolling, or with macadam. At the minimum, the top 6" of subgrade shall be scarified and recompacted. If required by the Engineer, the Contractor shall provide planking to protect the subgrade from disturbance.

205.4. Amount of Finished Subgrade. There shall be at all times at least fifty (50) feet of subgrade in the condition described in the preceding Articles numbered 205.2 and 205.3, ahead of the point at which concrete is being placed.

205.5. Payment. There will be no direct payment for finishing and restoring subgrade but the whole cost and expense of such work to the Contractor must be included by him in the price bid per cubic yard for excavation.

SECTION 206

DIG OUT REPAIR

206.1. Description. The work consists of saw cutting, removal of failed roadway and replacement. See Dig Out Repair detail.

206.2. Materials. Materials for base rock shall be Type 2 Aggregate Base. Geotextile fabric shall be Mirafi 600X or approved equal. Bituminous base shall be per section 226.

206.3. Installation. Saw cut area as directed by Engineer. Remove area to a minimum depth of 12" and compact subgrade. If unsuitable materials are encountered for the subgrade, material shall be removed and replaced with the same base and compacted in a maximum of 4" lifts. Place geotextile fabric over excavated area as per detail. Place Type 2 aggregate base in 6" lifts. Place bituminous base in equal lifts (3" maximum depth).

206.4. Measurement and Payment. All costs pertaining to the preparation and restoration of dig out repair shall be paid by the square yard as per the bid form. All work will be measured in the field for final quantities.

Item 206.1. Dig Out Repair, per square yard.

SECTION 207

ADJUSTMENTS OF MANHOLES, CATCH BASINS AND INLETS

207.1. Wherever specified on the plans, or as directed by the Engineer, manhole and catch basin frames and covers, catch basin stones and sills, and drop inlets shall be adjusted to new grades in accordance with the details shown on the plans. The quality of materials and workmanship shall be as specified in the applicable section of these specifications for each class of work necessary. Payment for adjustments, complete including excavating, backfilling, all materials, replacement of breakage caused by Contractor, equipment, labor and incidental expenses shall be completely covered by the unit prices bid per adjustment under:

Item No. 207.1. Adjusting manholes to grade, per each

Item No. 207.2. Adjusting catch basins or inlets to grade, per each

SECTION 208

REMOVALS

208.1. Description. Payment for the removal of pavement, sidewalk, curbing, fencing and retaining walls shall be made at the Contract unit prices for removal of each such item. Measurement shall be made of the actual quantities removed (as described hereinafter), the removal of which is shown on the drawings or authorized by the Engineer. Payment for removals shall include the demolition, removal and disposal of all debris which is a product of such demolition. Pay quantities shall not include any unauthorized removal due to damage during construction by the Contractor. Such damaged areas, where removal is not shown on the drawings, shall be removed and replaced at the Contractor's expense.

208.2. Removal of Pavement. This shall apply to all Portland cement concrete or asphaltic concrete surfaces six (6) inches or more in thickness. Measurement shall be based on the actual area removed in square yards. However, where pavement is removed solely to allow construction of a storm sewer or appurtenant structure, the removal shall be paid for to a width not to exceed the outside dimension of the pipe or structure plus twenty-four (24) inches. Payment will be made under:

Item No. 208.1. Removal of pavement, per square yard.

208.3. Removal of Driveway Pavement. This shall apply to all Portland cement concrete or asphaltic concrete driveways or other concrete slabs less than six (6) inches in thickness. Measurement shall be as described in Section 208.2 for the removal of pavement. Payment will be made under:

Item No. 208.2. Removal of driveway pavement, per square yard.

208.4. Removal of Sidewalks. This shall apply to all Portland cement concrete sidewalk. Measurement shall be as described in Section 208.2 for the removal of pavement. Payment will be made under:

Item No. 208.3. Removal of sidewalks, per square yard

208.5. Removal of Curbing. This shall apply to all Portland cement concrete curbs or curbs and gutters measured along the base of the curb face in lineal feet. Payment will be made under:

Item No. 208.4. Removal of curbs, per lineal foot

Item No. 208.5. Removal of curbs and gutters, per lineal foot.

208.6 Removal of Fencing. Work shall include all necessary material, equipment, and labor to remove, stockpile, and reinstall fencing displaced by construction activity. Owners should be notified 24 hours prior to fence work. The Contractor shall use care in removing only as much fence as is necessary to complete construction and grading. The Contractor shall take great care to carefully dismantle, stockpile and reinstall fence after the public sanitary sewer has been installed. The Contractor shall salvage and reuse as much of the fencing material as practical. If the fence material cannot be salvaged, then the Contractor shall provide new material

that is consistent with the fence material that was removed.

The Contractor shall install a suitable temporary fence along the temporary construction easement to protect livestock, pets or children as directed by the Engineer. No direct payment will be made for the temporary fence.

Payment for all costs to remove, stockpile and reinstall displaced by construction activity shall be included in the per linear foot price bid for fence removal and replacement and payment shall be based on the actual length of fence removed and replaced in linear feet. Payment will be made under:

Item No. 208.6. Fence removal and replacement, per linear foot.

208.7. Removal of Retaining Walls. Retaining walls of concrete, brick, or stone to be removed shall be measured in place and payment shall be based on the actual volume, in cubic yards, of material actually removed. Payment will be made under:

Item No. 208.7. Removal of retaining walls, per cubic yard

SECTION 209

DAILY CLEANUP AND FINAL TRIMMING AND CLEAN UP

209.1. Requirements. Daily cleanup shall follow the work progressively. The Contractor shall remove from the project site all rubbish, equipment, tools, surplus or discarded materials, and temporary construction items.

Streets to be opened to local traffic at the end of the day's operation shall be cleaned of dirt and mud. Streets which are not open to traffic shall be cleaned regularly to be kept free of dirt and mud. Street sweeping equipment shall capture and contain dust and debris. Powered broom attachments shall be of the pick-up type. All equipment and material stockpiles shall be secured for safe passage of vehicles and pedestrians. Traffic control in conformance with the Manual of Uniform Traffic Control Devices shall be in place prior to opening the road to traffic.

209.2. Final Trimming and Clean Up. Prior to the acceptance of the work done under this Contract all shoulders, slopes, ditches, if any, and sidewalk spaces shall be shaped, trimmed and made uniform, smooth and true to line, grade and cross section. All debris and rubbish resulting from the construction work or occurring within the limits of the improvement shall be disposed of before final acceptance will be made under this Contract.

209.3. Payment. There will be no direct payment for final trimming and cleaning up but the whole cost and expense of such work to the Contractor must be included by him in the other bid prices.

SECTION 210

AGGREGATE BASE MATERIAL

210.1. Type 1 Aggregate (Rolled Stone). Aggregate for Type 1 base shall be essentially limestone. The crushed stone shall not contain deleterious material such as shale or disintegrated stone in excess of fifteen percent (15%). Any silt, any clay, and any deleterious material shall be uniformly distributed throughout the mass. The aggregates shall conform to the following gradation requirement:

Passing 1 inch sieve	100%
Passing 1/2 inch sieve	60-90%
Passing No. 4 sieve	40-60%
Passing No. 40 sieve	15-35%

210.2. Type 2 Aggregate (Compacted Granular Base). Aggregate for Type 2 base shall consist of crushed stone, limestone screening, sand and gravel, sand, chat, sandstone, or combinations of these materials, with or without soil binder as may be required. The material shall conform to the following gradation requirements and in addition shall be so graded that it will readily compact to the specified density and withstand construction traffic without distortion and displacement.

Passing 1 1/2 inch sieve	100%
Passing No. 40 sieve	15-50%
Passing No. 200 sieve,	not more than 35%

210.3 Type 3 Aggregate (Drainable Base). Aggregate for Type 3 base shall consist of crushed stone or sand and gravel. The aggregate shall not contain more than fifteen percent (15%) deleterious rock and shale. If crushed stone is used, sand may be added only for the purpose of reducing the plasticity index of the fraction passing the No. 40 sieve in the finished product. The fraction passing the No. 40 sieve shall have a plasticity index not to exceed six. Any sand, silt and clay, and any deleterious rock and shale shall be uniformly distributed throughout the material. When sand and gravel aggregate are used, the fraction passing the No. 200 sieve shall be less than one half of that fraction passing the No. 30 sieve.

Sieve size	Passing (%)
1 inch	100
1/2 inch	60-90
No. 4	35-60
No. 30	10-35
No. 200	0-15

If flint chat or tiff chat is used, it shall meet the requirements of this section and in addition shall have at least twenty percent (20%) passing the No. 40 sieve.

Soil binder shall consist of soil or similar fine material with such cohesive properties as to impart the desired plasticity to the finished product.

SECTION 211

PENETRATION MACADAM BASE

211.1. Description. This section of the specifications shall consist of the construction of a penetration macadam base placed on a one (1) inch granular insulation course over a prepared subgrade and topped with a one (1) inch blotter course; conforming to the line, grade, thickness, and typical cross section shown on the plans. The base shall be constructed in two lifts of four inches each.

211.2. Material

a. Coarse stone shall consist of sound, durable particles of limestone or dolomite, and shall not contain deleterious material such as shale or disintegrated stone in excess of fifteen percent (15%). The crushed stone shall have a percent of wear not to exceed fifty percent (50%) when tested in accordance with AASHTO 96-58 (c) (Los Angeles Abrasion). It shall meet the following gradation requirements:

Passing 3 inch square sieve	100%
Passing 2 1/2 inch square sieve	90-100%
Passing 2 inch square sieve	35-70%
Passing 1 1/2 inch square sieve	0-15%
Passing 3/4 inch square sieve	0-5%

b. Material used in the insulation course shall be either coarse sand or coarse screening. Screening shall consist of tough, durable particles of crushed stone. Insulation material shall be free from dirt and other objectionable material.

c. Blotter course material shall be 1" clean crushed stone, free from dirt and other objectionable material and shall have the following gradation:

Passing 1 1/2" inch sieve	100%
Passing 3/4 inch sieve	0-5%

d. Binder shall be Performance Graded and conform to PG64-22.

211.3. Weighing. All materials shall be weighed on an accurate and reliable platform scale, approved by the Engineer, and each load must be accompanied by a signed weight ticket stating the gross, tare, and net weight, and no material shall be accepted by the City unless accompanied by such signed weight ticket.

211.4. Inspection. All materials and work shall be subject to inspection at all times by the Engineer, or his duly authorized representative, and no materials shall be delivered or accepted nor work performed without proper authorization of the Engineer. In order to assure the use of suitable materials, the Engineer shall have the right to make any inspections he may deem necessary, either at the plant of the Contractor, or his supplier, or on the job site.

The Engineer may at any time authorize the collection of samples of materials, from any

source he may direct, and subject them to tests provided for in these specifications, by a recognized reputable testing laboratory for determination of their quality and fitness for work under this Contract. The expense of such sampling and testing shall be borne by the City of Columbia. The Contractor shall provide such facilities as may be required for collecting samples.

211.5. Equipment. All equipment, tools, machinery and other appliances used in handling materials and performing any part of the work shall be subject to the approval of the Engineer before the work is started and whenever found unsatisfactory shall be changed and improved as required by the Engineer. All equipment, tools and machinery used must be maintained in satisfactory working condition.

Rollers and compactors shall include self-powered three (3) wheeled and tandem steel rollers and self-propelled pneumatic-tired rollers, weighing not less than seven (7) nor more than ten (10) tons, and multiple vibratory compactors of approved design.

Steel-wheeled rollers shall be equipped with scrapers to keep the surface of the wheels clean. All rollers and compactors shall be equipped with devices to wet the wheels, or contact surface, to prevent the material being compacted from sticking to them.

If multiple vibratory compactors are used, the standard of compaction to which each operation shall be subjected shall be determined by the Engineer based on the density obtained from seven (7) to ten (10) ton steel rollers under similar conditions in the City of Columbia.

211.6. Construction Methods

a. Preparing and Compacting Subgrade.

Prior to constructing the base, the prepared subgrade shall be adjusted to conform to the cross section shown on the plans, and to the lines and grades established by the Engineer. The subgrade shall be compacted as herein specified to the entire satisfaction of the Engineer. No direct payment will be made for adjusting and compacting the subgrade. The cost of such work to the Contractor must be included by him in the unit price bid for Penetration Macadam Base. No aggregate shall be spread on a muddy, excessively dusty, or frozen subgrade.

When no curb and gutter or side forms are used, well compacted shoulders with vertical face for the full depth of the course or layer shall be prepared in advance of spreading aggregate so as to permit the roller or compactor to lap the shoulder and edge of each course or layer of the pavement. The shoulder material shall be kept leveled at the proper elevation to avoid irregularities extending into the macadam.

b. Insulation Course. When the subgrade has been adjusted to true line and grade to the satisfaction of the Engineer, a blanket of insulation course material, as specified above, shall be spread on the subgrade and compacted to a minimum thickness of one (1) inch.

c. Spreading and Compacting Coarse Stone. When the base is constructed in two (2) or more courses, each course shall be spread in layers of equal thickness after compaction. Self-propelled spreading and leveling machines or approved spread boxes equipped with shoes

or runners of sufficient width and length to preclude any damage or displacement to the subgrade or lower base course shall be used for spreading coarse aggregate.

If the aggregate after being so spread and shaped does not have a uniform distribution of sizes throughout, or if it becomes mixed with dirt or other foreign substances it shall be harrowed with a heavy spike-tooth harrow, the teeth of which extend approximately six (6) inches below the frame and spaced that the aggregate will readily pass between them. If, after harrowing, there still remains areas of undersized or dirty aggregate, such aggregate shall be removed and replaced with clean aggregate of the proper size.

The coarse stone shall be rolled and/or compacted until it is well keyed and settlement has ceased. The surface shall then be checked transversely with a template cut to the required cross section, and longitudinally with a twenty (20) foot straightedge. Any indicated variations exceeding one-half (1/2) inch shall be corrected by the removal or addition of coarse stone as needed. Corrected areas shall be compacted and made to conform with the required grade and cross section.

Rolling shall start longitudinally beginning at the edges of the pavement and shall proceed on each side toward the center of the pavement overlapping on successive trips by at least one-half (1/2) of the width of rear wheel on steel rollers, one (1) wheel on pneumatic-tired rollers, and one (1) unit on vibratory compactors. Places inaccessible to roller shall be compacted by mechanical or hand tamping as approved by the Engineer.

Should subgrade become soft and mixed into or through the macadam, the Contractor shall remove the mixture, reshape and correct the subgrade, replace the removed macadam materials in compliance with this specification. The corrected areas shall conform with the required grade and cross section.

The completed penetration macadam base shall have a total compacted thickness as shown on the plans.

The surface shall not vary more than one-half (1/2) inch from a twenty (20) foot straightedge applied to the surface parallel to the center line of the pavement. Areas of the pavement which show more than the allowable variation shall be loosened and reconstructed in accordance with these specifications and to the complete satisfaction of the Engineer.

d. Application of Binder. Hot binder, as specified hereinbefore, shall be applied on each course of rolled base at the uniform rate of one (1) gallon per square yard per lift at application temperature with an allowable tolerance of plus or minus 0.10 gallon per square yard. Every precaution shall be used to avoid lapping either along the edges or at the ends of successive application runs.

e. Spreading and Compacting Succeeding Courses of Base Aggregate. Succeeding course of base aggregate shall be spread, compacted and finished in the same manner and to the same tolerances as hereinbefore specified for the first course.

f. Blotter Course. Immediately after the asphaltic cement has been applied to the final course of the base aggregate and while it is yet warm, a blotter course of crushed rock, as

specified hereinbefore, shall be spread over the surface in just sufficient quantity to fill the surface interstices. This stone shall be spread by means of an approved mechanical spreader at the rate of not more than twenty-five (25) pounds per square yard. Any cover material remaining unbounded on the pavement shall be swept up and removed. The top surface of the asphalt coated coarse stone of the final base course shall be exposed upon completion of the cleaning operation to provide a secure bond for the asphaltic concrete surface course to follow.

211.7. Basis of Measurement.

- | | |
|--------------|---|
| Method No. 1 | Penetration macadam base shall be measured to the nearest square yard in place. |
| Method No. 2 | Coarse stone, the blotter course, and the insulation course shall be measured on a tonnage basis of two thousand (2000) pounds. |

The binder shall be measured to the nearest ten (10) gallons.

211.8. Basis of Payment. The quantities, complete in place and accepted, will be paid for at the applicable Contract unit price, which payment shall be full compensation for preparation of subgrade, furnishing, hauling and placing all materials, rolling equipment, tools, labor and work incidental thereto. Payment will be made under:

- | | |
|--------------|--|
| Method No. 1 | Item No. 211 Penetration macadam base, per square yard. |
| Method No. 2 | Item No. 211.1. Coarse stone, per ton.
Item No. 211.2. Insulation course, per ton.
Item No. 211.3. Blotter course, per ton.
Item No. 211.4. Binder, per gallon. |

SECTION 212

AGGREGATE BASE

212.1. Description. Aggregate base shall consist of a uniform mixture of properly graded materials placed on a prepared subgrade as shown on the plans. The type of aggregate used shall be as specified in the Contract.

212.2. Materials.

a. Aggregate base materials shall conform to the following:

	<u>Section</u>
Type 1 Aggregate (Rolled Stone)	210.1
Type 2 Aggregate (Compacted Granular Base)	210.2
Type 3 Aggregate (Drainable Base)	210.3

b. Water shall be potable, clean and free from acid, salt, oil and other organic matter. The use of City water is preferred.

212.3. Equipment

a. Mixing Equipment. Equipment for producing mixture shall be an approved stabilization pugmill, which will uniformly mix the water with the aggregate in such manner as to avoid undue segregation.

b. Construction Equipment. Equipment for this work shall consist of blade or motor patrol graders, self-powered steel wheeled rollers, self-propelled pneumatic-tired rollers, vibratory compactors, sprinklers, or any other suitable equipment required to properly complete the work.

The Contractor shall furnish all equipment, tools, machinery and other appliances, which in the opinion of the Engineer, are necessary for handling materials and performing any part of the work.

All equipment shall be subject to the approval of the Engineer before the work is started, and wherever found unsatisfactory, shall be changed and/or improved as required by the Engineer. All equipment, tools and machinery must be maintained in satisfactory working condition.

212.4. Preparation of Mixture. Base material, any additional material required, and water in an amount sufficient to ensure the desired compaction shall be thoroughly mixed and delivered to the construction site as a combined product. Excess moisture resulting in run-off shall be avoided. The final product of base material mixed with binder shall meet the specified gradation and plasticity index (P.I.). If necessary for satisfactory work, the mixture or subgrade or both shall be allowed to dry to a moisture content which will permit proper compacting.

212.5. Construction Procedure.

a. Subgrade. All work on any section of the subgrade on which the base is to be constructed shall be completed prior to the placing of any base material on that section. Immediately before spreading the mixture, the subgrade shall be sprinkled as specified by the Engineer.

b. Spreading, Shaping and Compacting. In no case will the Contractor be permitted to place the mixture or manipulate it on muddy or frozen subgrade. Also, any mixture containing frost or frozen particles shall not be placed on the subgrade or compacted. After the subgrade has been properly prepared, the mixture shall be uniformly spread by blades, or other approved equipment, in successive layers of courses to such depth that, when compacted, the base will have the minimum thickness shown on the typical cross section. The Contractor may construct the base in any number of layers which he may find convenient to facilitate compacting, except that, in no case, shall any individual layer have a compacted thickness of more than four (4) inches, provided however when vibrating equipment is used, the base may be constructed in one (1) course (not exceeding six (6) inches), provided the equipment used proves capable of compacting the base in accordance with these specifications. Each layer shall be compacted as hereinafter specified before any succeeding layer is placed. Except as otherwise permitted by the Engineer, the first course placed upon the subgrade shall be compacted and allowed to become firm before any subsequent course is constructed.

If, in the opinion of the Engineer, the mixture becomes too dry to permit compaction, water shall be added during the compacting operations in such an amount as to ensure proper compaction. If, for any reason, the mixture is too wet for proper compaction it shall be allowed to dry until the proper moisture content is obtained.

The mixture shall be handled in such manner as to avoid undue segregation. If segregation occurs, or, if the mixture becomes contaminated, such segregated or contaminated materials shall be removed and replaced with materials of suitable quality and gradation, except that areas of surface segregation may be corrected by spreading a quantity of limestone screening sufficient to close the voids and bind the loose material firmly in place. The screenings shall be wet and rolled so as to create a dense and uniform surface. Segregated or contaminated materials which the Engineer orders removed, shall be removed and replaced with suitable material at the sole expense of the Contractor. The Engineer may restrict hauling over the completed or partially completed work after inclement weather, or at any time when the subgrade is soft and there is tendency for the subgrade material to work into the surface material. Any screenings used in correcting areas of surface segregation will be measured and paid for as part of the aggregate constituting the base course. All extra work or expense involved due to screenings being required shall be the Contractor's obligation without extra cost to the City. Compaction shall be performed by the use of any approved equipment within the limits of these specifications, which will produce satisfactory results.

Shaping and compaction shall be carried on until a true, even, uniform base course of the proper grade, cross section and density is obtained. Proper moisture content shall be maintained by wetting the surface as required during shaping and compacting operations. The use of excess water, resulting in run-off or in the formation of a slurry on the surface shall be avoided.

Final rolling on the top course of multiple-course construction or on single-course construction shall be accomplished by a self-propelled smooth-wheeled roller weighing not less than seven (7) tons, nor more than ten (10) tons.

The base course shall be graded, compacted and rolled to ensure maximum density to the exact cross section and elevations and shall be tested with an approved template before concreting. High areas shall be reduced to grade and low areas raised to grade with approved material compacted in place, as directed.

Type 1, Type 2, and Type 3 aggregates used for shoulders adjacent to Portland cement concrete pavement shall be compacted to not less than ninety-five percent (95%) of standard maximum density. Type 1, Type 2, and Type 3 aggregate for use on other than shoulders adjacent to Portland cement concrete pavement shall not be compacted to less than standard maximum density.

c. Standard Compaction Test. The standard compaction test will be made in accordance with ASTM D 698-70, Method C, using the total material. Field density and moisture will be determined in accordance with ASTM D 6938 Test Methods for In-Place Density and Water Content of Soil and Soil-Aggregate by Nuclear Methods (Shallow Depth). Frequency of testing shall conform to the table below:

Tested Property	Test Method	Contractor Frequency
Density	AASHTO T 191 or AASHTO T 310	1 per 1000 tons, minimum of 1 per day
Thickness	Applicable method meeting Engineer's approval	1 per 1000 tons, minimum of 1 per day
Gradation and Deleterious Material ^a	AASHTO T 11, AASHTO T 27 and MoDOT Test Method TM 71	1 per 2000 tons, minimum of 1 per day
Plasticity Index ^a	AASHTO T 89 and AASHTO T 90	1 per 10,000 tons, minimum of 1 per project

^aSampled at point of delivery, prior to rolling.

d. Curing and Maintenance of Aggregate Base. Allow the aggregate base to cure before any heavy equipment is allowed on the aggregate base. Curing of aggregate base is complete when the moisture content is a maximum of 60% of the optimum moisture content. The Contractor will perform testing to determine when the cure of the aggregate base is complete. The Engineer may require that the surface of the aggregate base be kept moist during

the curing period to prevent loss of surface material.

Do not apply surfacing until the aggregate base is cured. Maintain the base until the surfacing is applied.

e. Maintenance. When the base is to be constructed in more than one (1) layer, the Contractor shall maintain the underlying layers by wetting or drying, blading and rolling in a manner satisfactory to the Engineer until the next layer is completed. This maintenance shall be entirely at the Contractor's expense. If a prime coat is specified in the Contract, the Contractor will be required to apply the prime coat on any completed portion of the base as soon as practicable, but he will not be permitted to prime or to construct a bituminous surface course when the moisture content of the top two (2) inches of the base is more than two-thirds (2/3) of the optimum moisture.

If the Contract includes the construction of Portland cement concrete pavement, the Contractor will be required to maintain the completed base until the pavement is placed. The base shall be considered complete when it has the required density with a uniform surface of the proper grade and final template section. Lateral ditches shall be constructed through shoulders where possible to ensure adequate surface drainage.

212.6. Method of Measurement.

a. Aggregate base material shall be measured on a tonnage basis of two thousand (2,000) pounds, including water. Accurate and reliable platform scales, approved by the Engineer, shall be used. Materials, when delivered to the construction site, must be accompanied by a signed weight ticket, stating the gross, tare and net weight, and no material shall be accepted by the City unless accompanied by such signed weight ticket.

b. Water. Payment for all necessary water used in sprinkling the subgrade and added in constructing and maintaining all portions of the completed base shall be completely covered by the unit prices bid for other items in the Contract.

212.7. Basis of Payment.

a. Payment for aggregate base material complete in place will be made at the Contract unit price per ton, which price shall include furnishing all materials, mixing, loading, hauling, unloading, spreading, shaping and compacting, water for sprinkling subgrade and added in constructing and maintaining base, and all tools, labor, equipment, and work incidental thereto.

b. Payment will be made under:

- Item No. 212.1. Type 1 aggregate for base, per ton
- Item No. 212.2. Type 2 aggregate for base, per ton
- Item No. 212.3. Type 3 aggregate for base, per ton

SECTION 213

LANDSCAPING AND TREE PROTECTION

213.1. Description. This work shall consist of furnishing, planting and providing a warranty for all trees and shrubs in accordance with the plans. Work shall be done under the supervision of an experienced landscaper or experienced arborist approved by the Engineer.

213.2. Materials

a. Plant Materials.

1. Plant Materials shall mean trees and shrubs of all descriptions, required to be furnished for the project in accordance with the specifications on the approved plans. The source of supply of all plant material shall be given in writing to the Engineer. The Engineer must be given the opportunity of inspecting and approving all plant materials before planting takes place.
2. Plant materials shall comply with State and Federal laws relating to inspection for disease, insect infestation and shipping and handling requirements.
3. Plant substitutions, including species cultivars, will not be permitted unless pre-approved by the Engineer. If proof is submitted that specific plants or sizes are unobtainable, proposals will be considered for the nearest equivalent size or variety of equal value.
4. Type and quality:
 - i. Plant materials shall conform to the size and proportion standards of the American Standard for Nursery Stock (ANSI Z60.1). ANSI stock specifications will be provided by the Engineer. All tree stock shall be single stem unless specified. The International Code of Nomenclature for Cultivated Plants shall be the authority for plant names.
 - ii. Plants will be true to type and subject to inspection for quality, size and color. Plants lacking compactness, proper proportion, or having multiple leaders will not be accepted. Plant materials which have been cut back from larger grades to meet certain specified requirements will be rejected.
 - iii. Plants shall have a normal, well-developed branch structure and a vigorous fibrous root system. Plants shall be healthy and vigorous. Plants shall be free from defects, wood decay, sun-scald injuries, abrasions of the bark, galls, insect pest eggs, borers and all forms of infestations and other plant diseases, and free from objectionable disfigurements. Tree root collars must be visible above, or at, soil level and the root system shall not contain any 'circling' or 'diving' roots.

iv. Plants shall be nursery grown unless otherwise specifically permitted in each instance and shall have been growing under similar climatic conditions as occurs in the City of Columbia for at least 2 years prior to award date of this Contract.

v. All plants shall be freshly dug within 1 week of delivery and provided from the most recent favorable harvest season.

vi. The City reserves the right to reject any plant material that is considered unsatisfactory.

b. Topsoil.

Topsoil shall be per section 203.4.a.

c. Wood Bark Mulch.

Mulch for plant bed and tree pits shall consist of a high quality shredded bark or wood chips free from noxious substances. The source of the wood bark mulch and a representative sample shall be approved by the Engineer prior to application.

d. Water.

Water shall be potable and suitable for irrigation, clear and free from any material that may be harmful to plant life.

213.3. Installation. Specifications for Planting Procedures.

a. Planting Season

1. Planting shall be done within the appropriate planting season. If associated with construction projects, planting projects should take place within the planting season following completion of construction. Dates for planting are: from April 1 to May 15 and October 15 to December 15.

2. If special conditions exist, which may warrant a variance in the above planting dates, a written request shall be submitted to the Engineer stating the special conditions and the proposed variance. Permission for the variance will be given if, in the opinion of the Engineer, the variance is warranted.

3. When conditions are such, by reason of drought, high winds, excessive moisture, or other similar factors, that satisfactory results are not likely to be obtained, work shall be stopped. It shall not be resumed until desired results can be obtained or until approved alternate or corrective measures and procedures are adopted.

4. On no account shall planting take place when the ground is frozen.

b. Planting Locations.

1. General. The Contractor shall be responsible for planting at correct grades, alignment and location. If the planting plans provided differ from ground marked sites, the Contractor will seek guidance from the Engineer.
2. Engineer will stake out, or flag the ground locations for plants.

c. Excavation of Planting Areas.

1. Care. No plant pits shall be dug or prepared until their location is approved by Engineer. Reasonable care shall be exercised in having pits dug and soil prepared prior to moving plants to their respective locations for planting to ensure that they will not be unnecessarily exposed to drying elements or to physical damage.
2. Holes for trees and shrubs either, balled and burlapped (B&B) or bare root (B&R) (except for hedge and plants specifically designated on the plans to be planted in a bed) shall be excavated or augered to provide a planting hole a minimum of 100% larger than the spread of the ball or roots. All mechanically dug pits shall be scarified to remove glazing, and shall have a saucer shaped profile.
3. The depth of plant pits shall be the depth below finished grade required to allow the plant to be set on undisturbed soil where the root collar will be at or slightly above grade. In certain clay soils, descriptions to be jointly agreed by Engineer, or where surface or sub-surface conditions prevent digging a tree pit to specified dimensions, the plant can be set 4 to 6 inches high. In such cases the upper rootball edge must be bermed to grade with topsoil at no greater than a 3:1 slope
4. If pits have been excavated and not planted they must be made safe from public hazard at the end of each working day.

d. Delivery and Temporary Storage.

1. All plant material will be covered during transport between the nursery and the planting site – no matter the time of year. Insofar as is practicable, plant material shall be planted on the day of delivery. In the event this is not possible the Contractor shall protect that stock not planted.
2. Protect plants at all times from sun or drying winds. Plants that cannot be planted immediately on delivery shall be kept in the shade, well protected with soil, wet moss or other acceptable material and shall be kept well watered. Plants shall not remain unplanted for longer than three days after delivery.
3. Plants shall not be bound with wire or rope at any time so as to damage the bark or break branches. Plants shall be lifted and handled from the bottom of the

ball only.

4. Plants moved with a ball will not be accepted if the ball is cracked or broken before or during planting operations.

e. **Planting**

1. All planting of balled and burlapped (B&B) or containerized plants, unless otherwise directed, shall be performed as herein specified. All plants shall be centered in the planting hole and set plumb vertical.

2. B&B plants shall be placed in their wrapped ball on undisturbed soil so that the root collar is standing at or slightly above the permanent grade or per 213.3.3.c above. All burlap, binding, and caging material shall be removed from the top one-third of the rootball.

3. The plant hole shall be backfilled with topsoil placed in layers around the roots or ball. Each layer shall be carefully tamped in place in a manner to avoid injury to the roots or ball or disturbing the position of the plant. When approximately two-thirds of the plant hole has been backfilled, the hole shall be filled with water and the soil allowed to settle around the roots. After the water has been absorbed, the plant hole shall be filled with topsoil and tamped lightly to grade. Any settlement shall be brought to grade with topsoil.

4. For containerized shrub and small tree plantings special care should be taken in ensuring that no circling or diving roots exist in the outer portion of the rootball. If they exist they must be removed before planting. Plants should be placed so that the root collar is level or just above existing grade. A generous sprinkling (approximately one pound) of raw bone meal shall be placed on soil after planting around each shrub and well raked in before applying mulch. All twine or labeling encircling the stem or roots shall be removed during planting regardless of material composition. All trees and small shrubs will be fully watered in after installation.

5. On all slopes except minor ones, soil mix shall be formed into an adequate dam or shoulder on downhill side to catch and hold water and avoid erosion and slope on uphill side shall be properly re-graded to satisfaction of Engineer.

6. No plant material will be approved by the Engineer unless the root collar or flare is clearly visible after planting.

f. Weeding & Mulching. The area required to be mulched shall first be cleared of all weeds and groundcover. All trees and shrubs shall be mulched to a depth of at least 3". A mulch ring will be provided that extends to a minimum radius of 3 feet from the stem of the tree or shrub. In all cases the mulch itself should be kept clear of the plant stem, leaving clear visual access to the root collar of the plant.

g. Watering. After raking the surface of the mulch smooth the tree should be given a

final 'watering in'. This should include soaking the full depth of the mulch thoroughly with water.

h. Guying, Staking and Wrapping.

1. Guying. Trees shall be supported immediately after planting. All trees shall be staked unless otherwise agreed with Engineer. Guying material will be fabric or flexible rubber or a combination of both. No wire or encased wire shall be used.

2. Staking. A minimum of two metal T-posts (at least 6' in length unless otherwise specified) placed at the opposite sides of the tree shall be driven vertically into the ground to a depth of 2 1/2 to 3 feet in such manner as not to injure the ball or roots. If trees are planted along a highway, the stakes shall be aligned along the axis of the highway, unless otherwise agreed.

3. Wrapping. Wrapping of the trunk is required only on dogwood and maple trees. Wrapping shall consist of a cardboard or plastic sleeve unless otherwise specified by the Engineer. The Engineer will manage the sleeve material after installation.

i. Pruning and Repair.

1. After planting an inspection of all plantings shall be made and all dead, dying or injured twigs and branches shall be removed. No further pruning shall be permitted unless approved by Engineer. All cuts shall be made without damaging the remaining tissue, and leaving no stubs.

2. Each tree and shrub shall be pruned in accordance with standard horticultural practice to preserve the natural character of plant. Pruning shall be done with clean, sharp tools that have been designed for pruning woody plants.

3. The bruised or broken parts of large or fleshy roots shall be cut off smooth before planting. If nursery practice has left bruised, broken, girdling or upward pointing roots above the root collar, these roots should be carefully removed without damaging the tissue to remain.

213.4. Cleanup and Completion of the Project.

a. During the course of planting, excess and waste materials shall be continuously and promptly removed, lawn areas kept clear and all reasonable precautions taken to avoid damage to existing structures, plants, and grass.

b. When planting in an area has been completed, the area shall be thoroughly cleaned up. Debris, rubbish, subsoil and waste materials shall be cleaned up and removed.

c. On completion of the project the Contractor shall be responsible for repairing tire ruts and other damage to existing landscaped areas. Lawn areas shall be left free from

compaction and restored to an even grade. All areas disturbed during planting activity will be seeded and mulched as required. The entire area, when completed, shall be neat and clean to the satisfaction of the property owner.

d. The Contractor will inform the Engineer when the entire project is complete. Engineer and the landscape Contractor will then perform an inspection of all the planting material and planting sites before final completion is accepted.

213.5. Warranty Procedure.

a. Proving Period. A proving period shall follow the completion of the planting project and it shall be for a period of one year from the installation of the last plant item. All replacements shall have a one year proving period from the date of installation.

b. Acceptance and Replacement of Plant Material. At the expiration of the proving period an inspection of the planting will be made and only those plants that are alive and in a healthy condition will be accepted. Unacceptable material shall be removed and replaced by the Contractor at his own expense, during the next appropriate planting season. Plant material and method of replacement planting shall be the same as specified for the original planting unless otherwise agreed with the Engineer. The Contractor shall continue to install replacement materials until the plants shows healthy growth for a period of one year from the date of planting. All such replacements will be inspected for acceptance at the end of the proving period.

213.6. Payment. Payment for the accepted quantities of plants will be made at the Contract unit price for each plant of the types, species, and sizes required complete and in place. No direct payment will be made for any incidental items such as supporting posts, hardwood mulch for tree ring, peat moss, and water necessary for this work. Hardwood mulch for traffic calming islands will be paid at the per square yard price for hardwood mulch.

Item No. 213.1. Landscaping, per plant.

Item No. 213.2. Hardwood Mulch, per square yard.

SECTION 214

TREE PROTECTION AND REMOVAL

214.1. General. All work shall include all necessary material, equipment and labor to remove, dispose and protect trees, bushes and shrubs necessary to complete the work outline on the construction plans and in the Contract documents.

214.2. Removal. All trees, bushes and shrubs located within the temporary construction easement that are not specifically noted as “Do Not Disturb” or “Do Not Remove”, can be removed only if necessary to facilitate construction and approved by the Engineer or as directed by the Engineer. Check the plan sheets for trees and shrubs specifically noted as “Do Not Disturb” or “Do Not Remove.” The Contractor shall use care to minimize the impact to and the removal of trees within the Temporary Construction Easement. All removals shall extend to a depth of at least 24 inches below the ground line in fill areas or 24 inches below the subgrade in cut areas, unless specifically directed otherwise.

214.3. Disposal. Contractor is responsible for disposing of all trees, bushes, shrubs, etc. that are removed as part of this project.

214.4. Tree Protection Fence. Contractor shall install tree protection fence at locations indicated on the construction plans or when directed by Engineer. Tree protection fence shall be constructed in accordance with the detail shown on the construction plans.

214.5. Basis of Payment. Payment for all costs to install, maintain, and remove the tree protection fence upon completion of the project shall be included in the per linear foot price bid for tree protection fence.

Item No. 214.5. Tree protection fence, per linear foot.

SECTION 215

MOBILIZATION

215.1. General. This item shall consist of preparatory work and operations, including, but not limited to, those necessary for the movement of personnel, equipment, supplies, and incidentals to the project site; for the establishment of all offices, buildings, and other facilities necessary for work on the project except as provided in the Contract as separate bid items; and for all other work and operations which must be performed or costs incurred prior to beginning construction.

215.2. Basis of Payment

- a. Payment for all materials and work required shall be included in the mobilization item which will include the cost of all items herein described. The Contract lump sum price for this item shall be payable to the Contractor as specified in accordance with the following schedule of partial payments.
- b. Forty percent (40%) of the Contract lump sum amount bid for mobilization will be released to the Contractor with the first monthly payment, but not sooner than 15 days after the Notice to Proceed has been issued.
- c. An additional twenty-five percent (25%) of the Contract lump sum bid for mobilization will be released with the first monthly payment after fifty percent (50%) of the original total Contract amount, including payments for delivered materials but excluding Mobilization, has been paid out.
- d. Upon completion the project, payment of the remaining thirty-five percent (35%) of the Contract lump sum bid for mobilization will be released upon the project final acceptance.

Item No. 215.1. Mobilization, lump sum.

SECTION 216

CONSTRUCTION STAKING

216.1. General. All construction work shall be done to the lines, slopes, grades and locations shown on the Plans or as modified by the Engineer in writing. The Engineer will establish on the Drawings the required control points, survey lines, benchmarks and base lines. Detailed survey and staking for construction, as well as measurements and elevations within structures shall be the responsibility of the Contractor. All work under this section shall be conducted by or under the direct supervision of a Registered Land Surveyor in the State of Missouri. The Contractor shall erect all necessary batterboards and shall furnish all templates necessary for the construction. Any work done without being properly staked, located and measured may be ordered removed and replaced at the Contractor's expense.

216.2. Control. On City projects, the Engineer will be responsible for providing all necessary horizontal and vertical control from which the Contractor may establish construction staking required to perform his work. The established control points are noted on the plans and shall become the responsibility of the Contractor once initially set. The Contractor shall use care not to disturb these points. Any cost required to re-establish these points, due to the careless or negligent destruction by the Contractor, may be charged to the Contractor and deducted from the payment for this work.

216.3. Construction stakeout by Contractor. The Contractor shall furnish all employees, equipment, tools, stakes and other material required and shall stake out, in a manner satisfactory to the Engineer, the following:

- a. Slope stakes and offset grade stakes for curb and gutter, storm sewers, paved channels, inlets, manholes, and retaining walls.
- b. Centerline grade stakes for unlined channels and pavement.
- c. Any staking of rights of way and easements deemed necessary by the Engineer.
- d. Re-staking of items staked when stakes are lost or destroyed for any reason.
- e. "Blue top" hubs set to elevation of subgrade for centerline of streets and trails at such other locations as to assure proper thickness and drainage of pavements.
- f. Pavement elevation points as required for asphaltic concrete fills, erected string lines and grading of drainage valleys in pavements.
- g. Stakes for fencing and other stakes required for the proper construction of the Work.
- h. Driveways and walks.
- i. Any additional staking needed to construct the project according to the plans and specifications.

216.4. Notification. The Contractor shall not cover any work which requires measurements for payment while in the uncovered state until the Engineer has made such measurements.

216.5. Payment. Payment for all work and materials under this section shall be included in the 'lump sum' bid price for construction staking.

Item No. 216.1. Construction staking, lump sum.

SECTION 220

BITUMINOUS MATERIALS

220.1. General. Approval of the source of bituminous material. For all bituminous construction the Contractor shall obtain from the Engineer written approval of the sources of bituminous materials. Such approval shall be obtained before any shipments are started. The Contractor shall submit written evidence to the Engineer that all bituminous materials used conform to the requirements of Section 220.1 through Section 220.3.

220.2. Measurement of Liquid Bituminous Material. The Contractor shall submit to the Engineer, invoices in triplicate on all shipments of bituminous materials. The following volume correction methods, where applicable, shall be used for determining the volume of bituminous materials mentioned in these specifications.

220.2.1. Liquid Bituminous Material and Asphalt Binder - Volumetric Determination. Measurement of the material will be based on the volume at 60°F. The volume correction factors of ASTM D 1250, Table 24b, will be used for converting the material from the volume at the observed temperature to the volume at 60°F. The volume of uncalibrated distributors and tank trucks will be determined from the net weight of the material. The net weight will be determined from the gross weight of the loaded delivery vehicle less the empty delivery vehicle weight. For computing the volume in gallons from weight, the following formula will be used:

ENGLISH

$$G = \frac{W}{SG \times 8.328}$$

where:

G = Volume in gallons at 60°F.

W = Weight of material in pounds.

SG = Specific Gravity of material at 60°F.

220.2.2. Emulsified Asphalt. Measurement of the material will be based on the volume at 60°F using a coefficient of expansion of 0.0003 per degree F for converting the material from the volume at the observed temperature to the volume at 60°F.

220.3. Performance Graded Asphalt Binder. Performance graded asphalt binder shall be an asphalt-based binder produced from petroleum residue either with or without the addition of non-particulate organic modifiers. The grade shall be as specified in the Contract. Suppliers furnishing performance graded asphalt binders shall be certified by MoDOT.

220.4. Application Temperatures for Bituminous Materials:

ASPHALTIC MATERIAL	TEMPERATURE DEGREES FAHRENHEIT			
	SPRAYING		MIXING	
	MIN	MAX	MIN	MAX
X00-300 Penetration Asphalt	260	325	200	275
All other Penetration Asphalt	285	350	275	325
Performance Graded 64-22	260	325	---	---
All Other Performance Graded Asphalt	285	350	275	350
RC-0.....	65	135	50	120
RC-1.....	110	180	80	125
RC-2.....	140	210	80	150
RC-3.....	170	240	125	175
RC-4.....	180	255	150	200
RC-5.....	215	285	175	225
MC-0.....	70	140	50	120
MC-1.....	110	185	80	150
MC-2.....	140	215	100	200
MC-3.....	175	250	150	200
MC-4.....	190	265	175	225
MC-5.....	220	290	200	250
SC-1.....	110	185	80	200
SC-2.....	140	215	150	200
SC-3.....	175	250	175	250
SC-4.....	190	265	175	250
SC-5.....	220	290	200	275
EMULSIONS				
RS-1.....	75	130	---	---
RS-2.....	110	160	---	---
RS-3.....	100	160	100	160
SS-1.....	75	130	75	130
REFINED TARs				
RT-1,2.....	60	125	---	---
RT-3,4,5,6.....	80	150	80	150
RT-7,8,9.....	150	225	150	225
RT-10,11,12.....	175	250	175	250

220.5. Asphalt Cement Price Index. Adjustments will be made to the payments due the Contractor for any plant mix bituminous base, plant mix bituminous pavement, plant mix bituminous surface leveling and asphaltic concrete pavement that contains PG64-22, PG 70-22 or PG76-22 when it has been determined that the monthly average price for the midpoint of the published prices of PG64-22 for St. Louis, Missouri area and Kansas City area has fluctuated from the monthly average price of the month the project was bid. The St. Louis, Missouri area and Kansas City area prices will be obtained from the Asphalt Weekly Monitor® published by Poten & Partners Inc. The monthly base price will be the price from the last published Asphalt Weekly Monitor® prior to the City bid opening. The monthly base price shall apply to payment estimates for the following month.

220.5.1. The adjusted Contract unit price will be applied to the actual amount of asphalt binder used by the Contractor for all asphalt items that are set up by the wet ton mix. The adjustments will be applied to projects that have a quantity of asphalt wet ton mix pay items over 100 tons. The percentage of virgin asphalt as shown in the job mix formula will be the basis for adjustments for any asphalt mix type placed on the project during the monthly index period. The effective asphalt obtained from the use of recycled asphalt pavement (RAP) will not be eligible for adjustment. The base price index for PG64-22 will be applied to the asphalt mix for mixes using PG64-22, PG70-22 or PG76-22.

220.5.2. Basis of Payment. To determine the adjustment for any material specified in this provision the following formula will be used.

$$A = (B \times C) \times (D - E)$$

Where: A = Adjustment for mix placed during monthly average index period
B = Tons of mix placed during the monthly average index period
C = % of virgin asphalt binder as listed in the job mix formula in use
D = Monthly average price at time of mix placement
E = Monthly average price at time of bid

220.5.3. The Engineer will make adjustment payments, as defined above, for the applicable work completed during each month except for projects on which the Contractor is being charged liquidated damages, due to working beyond the project completion date. In this case, the “D” value used for the price adjustment will be either the last “D” value prior to the date that liquidated damage assessment began or the current monthly “D” value, whichever is lower. If the Contractor is being charged liquidated damages due to the Contract being beyond the project completion date and the current months “D” value results in a deduction, then the current monthly “D” value will be used.

220.5.4. Optional. This provision is optional. If the bidder wishes to be bound by this provision, the bidder shall execute the acceptance form in the Bid. Failure by the bidder to execute the acceptance form will be interpreted to mean election to not participate in the Asphalt Cement Price Index.

SECTION 221

AGGREGATE FOR ASPHALTIC CONCRETE

221.1. Coarse Aggregate. All coarse aggregate shall consist of sound, durable rock, free from objectionable coatings. When the coarse aggregate is tested in accordance with AASHTO T 96-58 (c) (Los Angeles Abrasion), the percentage of wear shall not exceed fifty-five percent (55%) unless otherwise permitted by the Engineer. The percentage of deleterious substances shall not exceed the following values and the sum of percentages of all deleterious substances shall not exceed eight percent (8%).

Deleterious Rock	8.0%
Shale/Mud Balls Combined	2.0%
Other Foreign Material	0.5%

221.1.1. Gravel aggregate shall be washed sufficiently to remove any objectionable coating.

221.1.2. The above requirements apply to each size or fraction of aggregate produced.

221.1.3. Pile-run chat, defined as tailings from mills in which metallic minerals are recovered, will not be approved for use in asphaltic concrete unless the chat has been conditioned to meet a specified gradation. A tolerance of seven percent (7%) plus or minus, on each sieve fraction will be permitted provided the aggregate complies with other provisions of this specification.

221.2. Fine Aggregate. Fine aggregate for asphaltic concrete shall be a fine, granular material passing the 3/8-inch sieve naturally produced by the disintegration of rock of a siliceous nature. Fine aggregate shall be free from cemented or conglomerated lumps and shall not have any coating or injurious material. The percentage of deleterious substances shall not exceed the following values:

Clay lumps and shale	1.0%
Total lightweight particles (Including coal and lignite)	0.5%
Other deleterious substances	0.1%

221.3. Mineral Filler. Mineral filler shall consist of stone dust, Portland cement, or other artificially or naturally powdered mineral dust approved by the Engineer. It shall be free from foreign or other objectionable material, and shall meet the following gradation requirements:

Passing No. 30 sieve	100%
Passing No. 200 sieve	75-100%
Passing 325 sieve, not less than	30%

221.4 Recycled Asphalt Pavement (RAP) may be used in any mixture except SMA mixtures. A maximum of 30 percent may be used in mixtures without changing the grade of binder. Mixtures may be used with more than 20 percent RAP provided testing according to AASHTO M 323 is included with the job mix formula that ensures the combined binder meets the grade specified in the Contract. All RAP material, except as noted below, shall be tested in accordance with AASHTO TP 58, *Method of Resistance of Coarse Aggregate Degradation by Abrasion in the Micro-Deval Apparatus*. Aggregate shall have the asphalt coating removed either by extraction or binder ignition. The material shall be tested in the Micro-Deval apparatus at a frequency of once per 1,500 tons. The percent loss shall not exceed the Micro-Deval loss of the combined virgin material by more than five percent (5%). Micro-Deval testing will be waived for RAP material obtained from MoDOT roadways. All RAP material shall be in accordance with Section 221.1 for deleterious and other foreign material.

221.5. Recycled Asphalt Shingles (RAS) may be used in any mixture specified to use PG 64-22 in accordance with AASHTO PP 53 except as follows: A maximum of 7 percent RAS may be used. When the ratio of virgin binder to total binder in the mixture is less than 70 percent, the grade of the virgin binder shall be PG 52-28 or PG 58-28. Shingles shall be ground to 3/8-inch minus. Waste, manufactured or new, shingles shall be essential free of deleterious materials. Post-consumer RAS shall not contain more than 1.5 percent wood by weight or more than 3.0 percent total deleterious by weight. Post-consumer RAS shall be certified to contain less than the maximum allowable amount of asbestos as defined by national or local standards. The gradation of the aggregate may be determined by solvent extraction of the binder or using the following as a standard gradation:

Shingle Aggregate Gradation	Sieve Size Percent Passing by Weight
3/8 in.	100
No. 4	95
No. 8	85
No. 16	70
No. 30	50
No. 50	45
No. 100	35
No. 200	25

SECTION 222

ASPHALTIC CONCRETE PAVEMENT

222.1. Description. Asphaltic concrete pavement shall consist of a mixture of mineral aggregate and asphalt cement prepared in a stationary plant and placed in one or more courses on a prepared base or underlying course in conformity with the line, grade, and section shown on the plans or as directed by the Engineer.

222.2. Materials. All materials shall conform to the following sections of these specifications:

<u>Type</u>	<u>Section</u>
Asphalt Binder PG64-22 or per specs	220.3
Coarse Aggregate	221.1
Fine Aggregate	221.2
Mineral Filler	221.3

Asphaltic concrete mixture shall consist of mineral aggregates with the total aggregate prior to mixing with asphalt binder shall be in accordance with the following gradation requirements:

Sieve Size	Percent Passing by Weight		
	Base	BP-1	BP-2
1 inch	100	100	100
¾ inch	85-100	100	100
½ inch	60-90	85-100	95-100
No. 4	36-65	50-70	60-90
No. 8	25-50	30-55	40-70
No. 30	10-35	10-30	15-35
No. 200	6-12	5-12	5-12

The Engineer may require at the time the job mixture is approved, that not less than 30 percent (30%) of material designated as fine aggregate be incorporated in the mixture. At least thirty (30) days prior to preparing any of the mixture on the project, the Contractor shall obtain, in the presence of the Engineer or his authorized representative, samples of asphalt and mineral aggregates for tests and shall submit in writing the mixing formula which he proposes to use. The mixing formula shall include the type and sources of all materials, the gradations of the aggregates, the relative quantity of each ingredient and shall state a definite percentage for each sieve fraction of aggregate and for asphalt cement. The samples of materials shall be within the limit of size designated by the Engineer and shall be submitted by the Contractor and at the expense of the Contractor to a reputable testing laboratory, which shall design a mix formula meeting these specifications, a copy of which shall be sent to the Engineer.

No mixtures shall be accepted for use on the project until an approved job mixing formula is approved by the Engineer. In producing mixtures for the project the plant shall be so operated that no intentional deviations from the job mixing formula shall be made except as specifically authorized by the Engineer. In any case the maximum variations from the approved

formula shall not be greater than the following requirements and shall be within specifications limits.

Retained on 1/2 inch sieve	5%
Passing 1/2 inch sieve, retained on No. 10 sieve	5%
Passing No. 10 sieve, retained on No. 200 sieve	3%
Passing No. 200 sieve	1%
Asphaltic Cement	0.5%

At least 30 days prior to placing any mixture on the project, the Contractor shall submit a mix design for verification and approval by the Engineer. The mixture shall be designed in accordance with Asphalt Institute Publication MS-2, Mix Design Methods for Asphalt Concrete and Other Hot-Mix Types. The mixture shall be compacted and tested at a minimum of three asphalt contents separated by a maximum of 0.5 percent in accordance with AASHTO T 245, except as herein noted. The test method shall be modified by short-term aging the specimens in accordance with AASHTO R 30. A detailed description of the mix design process shall be included with the job mix formula. Aggregate fractions shall be in accordance with the same proportions as the proposed job mix formula.

The mix design shall include raw data from the design process and shall contain the following information:

- (a) Source, grade and specific gravity of asphalt binder.
- (b) Source, type (formation, etc.), ledge number(s) if applicable, gradation, and deleterious content of the aggregate.
- (c) Plasticity index of each aggregate fraction.
- (d) Bulk and apparent specific gravities and absorption of each aggregate fraction in accordance with AASHTO T 85 for coarse aggregate and AASHTO T 84 for fine aggregate, including all raw data.
- (e) Specific gravity of hydrated lime, mineral filler or baghouse fines, if used, in accordance with AASHTO T 100.
- (f) Percentage of each aggregate component.
- (g) Combined gradation of the job mix.
- (h) Percent of asphalt binder, by weight (mass), based on the total mixture.
- (i) Bulk specific gravity (G_{mb}) by AASHTO T 166, Method A of a laboratory compacted mixture.
- (j) Percent air voids (V_a) of the laboratory compacted specimen.
- (k) Voids in the mineral aggregate (VMA) and voids in the mineral aggregate filled with asphalt binder (VFA).
- (l) Theoretical maximum specific gravity (G_{mm}) as determined by AASHTO T 209 after the sample has been short-term aged in accordance with AASHTO R 30.
- (m) Mixing temperature and molding temperature.
- (n) Bulk specific gravity (G_{mb}) of the combined aggregate.
- (o) Percent chert contained in each aggregate fraction.
- (p) Baghouse fines added for design.
 - (i) Batch and continuous mix plants – Indicate which aggregate fraction to add baghouse percentage during production.
 - (ii) Drum mix plants – Provide cold feed settings with and without baghouse percentage.

No mixture will be accepted for use until the job mix formula for the project is approved by the Engineer. The job mix formula approved for each mixture shall be in effect until modified in writing by the Engineer. When unsatisfactory results or other conditions occur, or should a source of material be changed, a new job mix formula may be required.

Base, BP-1 and BP-2 mixtures shall have the following properties, when tested in accordance with AASHTO T 245. The number of blows with the compaction hammer shall be 35 or the number of gyrations shall be 50 with the gyratory compactor. BP-1 and BP-2 mixtures shall have between 60 and 80 percent of the VMA filled with asphalt binder.

Air Voids:	3.5-4.5%
AASHTO T 245 Stability	750 lbs
Voids in Mineral Aggregate	13.0

Bituminous base mixtures that would require 12.0 percent VMA following Asphalt Institute MS-2 will have a minimum 12.0 percent requirement.

In mixtures containing rounded or uncrushed aggregate, it may be necessary for a portion of the aggregate to be a highly angular or crushed material in order to comply with the stability and other requirements. If difficulty is experienced with the aggregate combinations submitted, the Engineer may designate the amount of angular or crushed material necessary after laboratory investigations are made of the combinations proposed by the Contractor.

If the mixing formula submitted for approval or a previously approved mixing formula results in mixtures which are unsatisfactory in the opinion of the Engineer, due to surface texture, workability, segregation tendencies, or for any other reason, the Engineer shall have the right to make any changes within the limits of the specifications which he deems advisable and establish a new mixing formula.

222.2.1. Asphalt Hot-Mix Recycling. Final mix design for recycled mixtures shall be done in accordance with the Asphalt Institute's Manual MS-2 Sixth Edition in the appendix entitled "Mix Design Using RAP." All delivery tickets shall clearly designate the type of recycled mix.

222.3. Equipment

222.3.1. Mixing Plant--General. The plant site shall have adequate storage facilities. Sufficient storage space shall be provided for separate stock piles, or stalls for each size and type of aggregate. The different aggregates shall be kept separated until they have been delivered, without segregation, by the feeders to the boot of the cold elevator in their proper proportions. The separate stock piles shall be readily accessible for sampling. Contractor shall record and maintain temperatures at the plant.

Approved mechanical feeders shall be provided for feeding aggregate to the elevator charging the drier. The feeders shall be of any type that will provide accurate control and positive adjustment of the proportions for each size and type of aggregate used in the production of the asphaltic mixture.

The aggregates shall be dried and heated in a rotary drier capable of drying and heating the aggregate as specified at the rated capacity of the mixer. The drier shall be equipped with heating equipment which can be positively regulated and an efficient dust collecting system preventing the loss of fine material. The material collected shall be returned to the mixture at a uniform rate or wasted as approved by the Engineer. The heated aggregate shall be at a temperature of not less than two hundred twenty-five degrees Fahrenheit (225°F.) and not more than three hundred fifty degrees Fahrenheit (350 °F.) when delivered to the batching hopper. Feeding any drying equipment shall be operated in such a manner that the temperature of the aggregates is maintained within twenty-five degrees Fahrenheit (25°F.) above or below that directed by the Engineer. Absorbed moisture in the aggregate shall be reduced to such a quantity that there is no segregation of asphalt resulting from escaping water vapor in the prepared mixture and in no case shall exceed 0.5%.

The screening unit shall be capable of screening all aggregates into the sizes required for proportioning and shall have a normal capacity in excess of the full capacity of the mixer or the drier. The screening unit shall separate the usable heated aggregate into at least three (3) sizes. One of the sizes produced shall contain not more than ten percent (10%) by weight retained on the No. 10 sieve. The efficiency of the screening operation shall be sufficient to produce, at plant operating capacity, gradations in each of the sizes of heated and dried aggregates which are reasonably uniform and result in the production of a mixture complying with the limits specified hereinbefore.

Storage bins shall have sufficient capacity to supply the mixer when it is operating at full capacity. Bins shall be divided into compartments to provide separate and adequate storage for each aggregate fraction produced and used in proportioning. Separate dry storage shall be provided for mineral filler. Each compartment shall be provided with an overflow pipe, at least four (4) inches in diameter, located to prevent backing up of material into other bins. The bin shall have a "tailing" pipe, at least six (6) inches in diameter, for rejection. The discharge points of overflow and "tailing" pipes shall be located so they will not create a hazard. Overflow pipes shall not return the material directly to the hot elevator. Each compartment shall be provided with an individual outlet gate, designed and constructed so that when closed there will be no leakage. The gates shall be designed to cut off quickly and completely. Each bin shall be equipped with a device approved by the Engineer for readily obtaining samples of the aggregate at bin discharge.

Not less than two (2) asphalt storage tanks shall be provided at the proportioning and mixing plant, if asphalt is delivered in transport trucks. Piping and valve arrangements shall permit material to be used from any of the tanks without using from the other at the same time.

Asphalt cement shall be heated in either steam, electric, or oil heated tanks or kettles and shall be maintained during the period that mixture is manufactured, at a temperature within the limits of the range specified in Section 220.4. The equipment for handling the asphalt, including pumps, pipe lines, and storage tanks, shall be entirely separate and have no connections to the system used for handling fuel oil or other materials on the project.

An armored thermometer reading from two hundred fifty degrees Fahrenheit (250EF) to

three hundred fifty degrees Fahrenheit (350°F) shall be fixed in the asphalt circulating system near the valve at the mixing unit. An accurate registering pyrometer or other approved thermometric instrument shall be installed in the discharge chute of the drier in such a manner that the temperature of the heated aggregate is automatically registered. This instrument shall be located where it is in clear view of the drier fireman and readily accessible to the inspector.

Equipment shall be furnished which will accurately record the temperature of the heated and screened aggregates in two (2) of the hot aggregate bins. One terminal shall be placed in the hot bin containing the smallest aggregate used in the mix and the other terminal shall be placed in the largest aggregate. The terminals shall be located where the hot material will flow around them during the proportioning operation and shall not be located near the corners of the bins or at points where the material will collect or pack around them. The temperatures shall be continuously recorded either on individual charts or both may be recorded on a single chart. The charts shall record both time and temperature. The smallest interval of time shown shall be not more than fifteen (15) minutes and the temperature gradations shall be not greater than ten degrees Fahrenheit (10°F.). The charts shall be removed from the recorder at the end of each day's operation and shall be furnished to the Engineer.

222.3.2. Special Requirements for Batch Type Plants. Batch type plants shall be equipped with all units described above under 222.3.1, and with special units as described below:

Weighing equipment for proportioning mineral aggregate shall be of such design and construction that each batch can be quickly and accurately weighed. Excessive vibration of the weighing assembly will not be permitted. The weighing unit shall consist of a hopper or hoppers large enough to hold one (1) batch without running over or without manual placing, suspended from a system of fulcrums and knife-edges connected to a multiple beam or springless dial scale. Multiple beam type scales shall be equipped with a tare beam, a separate beam for each size of aggregate and a sensitive "tell-tale" dial. Springless dial scales shall be equipped with a dial which has a capacity not to exceed twice the full capacity of the mixer, and shall be of standard make and equipped with a tare beam. Asphalt cement shall be measured by weight in an electric heated, or a hot oil, or steam-jacketed bucket suspended from a springless dial or beam type scale; or shall be measured by volume in an approved automatic asphalt meter. If a metering device is used, continuous circulation shall be maintained in the line supplying asphalt to the meter. Springless dial scales used for weighing asphalt shall have a tare beam and a dial graduated in one (1) pound increments to the maximum dial capacity which shall not be more than fifteen percent (15%) of the nominal capacity of the mixer. Beam type scales shall be equipped with a tare beam, a full capacity beam and a "tell-tale" dial, the pointer of which moves through an arc, representing not less than one-tenth (1/10) the maximum load to be applied. All scales used to weigh the ingredients of the asphaltic mixture shall be designed and assembled so that they can be maintained within a maximum tolerance of four-tenths percent (0.4%) of the net load applied. Not less than ten (10) fifty (50) pound standard test weights shall be available at any time for testing and calibrating weighing equipment.

Batch type plants shall be equipped with a twin shaft pugmill mixer. The pugmill shall be electrically heated or hot oil, or steam jacketed and have a capacity of not less than two thousand (2,000) pounds per batch. The discharge gate shall fit snugly to prevent loss of material. Leakage from the pugmill during the mixing operation will not be permitted. Mixing paddles shall be in first class condition and shall be so arranged as to circulate the mixture

entirely around the mixer box. Not more than one pair of paddle tips on each mixer shaft shall be reversed with respect to the other paddle tips on that shaft. The reversed pair of paddle tips on each shaft shall be located in diagonally opposite corners of the pugmill. The clearance of blades from all fixed and moving parts shall not exceed three-fourths (3/4) inch unless the maximum size of the aggregate exceeds one (1) inch. The mixer shall be covered to prevent the loss of fine material. A conveniently located, easily opened gate or door shall be provided in the mixer cover for observation of the mixing operation. The mixer platform shall be of ample size to provide safe and convenient access to the mixer, weight hopper and scales. The Contractor shall provide a safe stairway to the mixer platform and safe access to other parts of the plant which are subject to occasional inspection.

Each mixer on the plant shall be equipped with an accurate time lock to automatically control the operations of a complete mixing cycle. It shall lock the aggregate weigh box after charging of the mixer, until the cycle is completed; it shall lock the asphalt weigh bucket or asphalt metering device throughout the dry and wet mixing periods. The dry mixing period shall start when all of the mineral aggregates have been charged into the mixer and end when the introduction of the asphalt cement begins. The wet mixing period shall begin when the introduction of the asphalt cement is started and end when the discharge gate is opened.

The quantity of mixture produced per batch shall not exceed the manufacturer's rated capacity as determined from the rating plate attached to the mixer or the manufacturer's specifications. The manufacturer's rated capacity will not be accepted unconditionally. If, in the opinion of the Engineer, the mixer does not operate efficiently at the rated capacity or does not produce a satisfactory mixture, or if its production does not coordinate with other plant units, the right is reserved to reduce the size of the batch until a satisfactory mixture is obtained. If the rated capacity of the mixer is not known, the size of the batch shall be determined from the net cubical content of the mixer below the center of the mixture shafts. If the pugmill does not produce a satisfactory mixture at the established capacity due to overloading, the size of the batch shall be reduce until satisfactory performance is obtained. The decision of the Engineer as to the permissible capacity of the mixer shall be final.

222.3.3. Special Requirements for Continuous Mixing Plants. Continuous mixing plants shall be equipped with all units as described above under 223.2.1, and with special units as described below:

The plant shall be equipped with means for accurately proportioning each size of aggregate either by weighing or by volumetric measurement. Continuous weighing devices shall be of sturdy construction and design and shall be accurate to 0.4 of one percent of the net load applied. The equipment shall be maintained in good condition and adjustment, and shall operate accurately. The volume proportioning device shall include a mechanical feeder mounted under the bins, and each bin shall have an accurately controlled individual gate to form an orifice for volumetrically measuring the material drawn from each bin. The orifice shall be rectangular, its dimensions approximately eight (8) inches by nine (9) inches, with one dimension fixed and the other dimension adjustable by positive mechanical means. An indicator shall be provided on each gate to show the size of gate opening in inches. The proportioning unit shall be equipped with an approved revolution counter directly connected to the aggregate feeder shaft and shall register accurately to the nearest 0.01 revolution. On each of the storage bins for the heated aggregates, a device shall be installed to indicate when the level of the material in the bin is

below the point where accurate proportioning through the feeder gates can be accomplished. These indicators shall be positive in action and shall be made to actuate either lights or other approved devices located in a position where they will immediately attract the attention of the mixer operator and warn him that the material in the bin is below the safe operating level. If mineral filler is required as a separate ingredient, it shall be proportioned by volume through a special feeding unit. Equipment suitable for calibrating by weight the flow of material from bins to the mixing unit shall be available at all times.

Asphalt cement shall be proportioned by volume in an approved asphalt metering pump. The pump shall deliver the asphalt to the pugmill at a uniform rate which shall not vary more than two percent (2%) by weight from the required quantity. The asphalt shall be introduced into the pugmill in a manner which will result in a thoroughly uniform distribution of the asphalt in the final mixture at the end of the mixing operation.

The aggregate proportioning unit and the asphalt metering pump shall be mechanically interlocked. This interlocking device shall be of a type that the quantity of either asphalt or aggregate can be positively adjusted and when the correct proportions are established the flow can be accurately controlled.

The plant shall be equipped with a twin-shaft, electrically heated, or hot oil, or steam-jacketed pugmill. It shall have a capacity of not less than forty (40) tons per hour. The paddles shall be adjustable for angular position on the shafts and reversible to retard the flow of the mix. The mixer shall carry a manufacturer's plate giving the net volumetric content of the mixer at the several heights inscribed on a permanent gauge and also giving the rate of feed of aggregates per minute at plant-operation speed. The manufacturer's rating of the mixing unit will not be accepted unconditionally. The right is reserved to reduce the rate of feed of aggregate per minute at plant-operating speed to produce a satisfactory mixture. The decision of the Engineer as to the permissible capacity of the mixing unit shall be final.

Unless otherwise required, mixing time shall be determined by the following formula:

$$\begin{aligned} \text{Mixing time in seconds} &= \text{Pugmill dead capacity--in pounds} \\ &= \text{Pugmill output--in pounds per second} \end{aligned}$$

The weights shall be determined for the job by tests made by the Engineer.

222.3.4. Rollers. Self-powered steel-wheeled rollers shall be used and in addition, self-propelled, pneumatic-tired rollers may be required by the Engineer.

Steel-wheeled rollers shall weigh not less than eight (8) tons and not more than twelve (12) tons and they shall be equipped with adjustable spring scrapers fitted to the driving and steering rolls. These rollers shall develop contact pressure of 250 to 350 pounds per inch of width (vibratory mode) or 150 to 180 pounds per inch of width (static). They shall also be equipped with sprinkling systems which will uniformly moisten each wheel. Wetting devices such as coco mats shall be included when necessary.

The pneumatic-tired rollers shall be self-propelled and shall consist of not less than seven (7) pneumatic-tired wheels revolving on two (2) axles. Axles shall be mounted in a rigid frame

provided with a loading platform or body suitable for ballast loading. The tires on the front and rear wheels shall be staggered so that they will cover the entire area over which the roller travels, with a minimum overlap of one-half (1/2) inch. The roller shall operate smoothly and without jerking when starting, stopping, or reversing direction. The roller shall be constructed such that each wheel is loaded to a minimum of 2,300 pounds, but not more than five hundred (500) pounds per inch width of tire tread in contact with the bituminous surface. The tires shall be inflated to an air pressure of not less than ninety (90) pounds per square inch. The roller shall be equipped with an adequate scraping or cleaning device on each tire to prevent the bituminous mixture from accumulating on the tires. The roller shall be equipped with a water system which will keep all tires uniformly wet, and which will have a capacity that will provide not less than two (2) hours continuous operation without refilling.

Trench rollers shall have an auxiliary wheel that operates outside the area to be compacted at such a distance from the pavement edge as to cause no damage thereto. It shall be mounted upon an axle that is adjustable in height. The auxiliary wheel shall be kept in adjustment so that the compression wheels will develop a smooth, compacted surface true to crown and grade. The contact pressure of the compression wheels shall be from 250 to 350 pounds per inch of width.

In lieu of the above requirements pertaining to non-vibratory compaction equipment, consideration will be given to use other types of equipment that are capable of producing equivalent results consistent with the requirements of the specifications.

222.3.5. Testing. During production the plant shall have the following tests performed by an approved laboratory: AC content, extracted gradation, Marshall density, stability, voids, VMA, VFA and max theoretical density. Laboratories shall be approved if they are:

- a. Accredited in accordance with ASTM D3666; and/or
- b. Approved for Superpave asphalt testing by the State Highway Department in the state where the plant is located.
- c. Test mixture at least once every 1000 tons. During paving, Engineer may designate as many tests as necessary to assure proper thickness, composition and density. If over 500 tons per day are placed, one acceptance test per day shall be performed. Not less than one test shall be performed every five days.
- d. Air voids are to be within +/- 1% of mix design. The number of blows with the compaction hammer shall be 35 or the number of gyrations shall be 50 with the gyratory compactor.
- e. Gradation to be within tolerances specified.
- f. Asphalt content is to be within +/- 3% of mix design.
- g. If four consecutive tests show noncompliance with the specifications, production of asphalt shall immediately cease and may not be resumed until a new mix design is submitted and approved, or the plant can demonstrate to the Engineer an ability to meet specifications.
- h. A copy of all testing and quality control records shall be made available upon request by the Engineer.

222.4. Construction Procedure.

- a. Preparation of Mixture. The asphalt cement shall be carefully heated, without

damage by overheating, to a workable temperature as designated by the Engineer within range established by Section 220.4, Application Temperatures for Bituminous Materials. If asphalt is measured by volume, the temperature of the asphalt at the time of measuring shall not vary more than fifteen degrees Fahrenheit (15EF.), from that designated by the Engineer when the metering device was calibrated. The final mixture shall not exceed three hundred fifty degrees Fahrenheit (350EF.) when discharged from the pugmill, and shall not vary more than twenty-five degrees Fahrenheit (25EF.) from the temperature designated by the Engineer.

- b. Batch Type Plants. The dry hot aggregates, mineral filler if required, and asphalt cement shall be accurately proportioned in the amounts required by the job mix formula. Aggregate shall be charged into the weigh hopper in a sequence that will avoid segregation. The mineral aggregate shall be mixed dry for not less than fifteen (15) seconds, after which the asphalt cement shall be charged into the mixer in a manner that will uniformly distribute the asphalt over at least three-fourths (3/4) the full length of the mixer. The time required to add the asphalt shall not exceed fifteen (15) seconds. Net mixing shall continue for at least thirty (30) seconds after the introduction of the asphalt cement begins or longer if necessary to produce a homogeneous mixture in which all particles are coated uniformly. The dry mixing period for Type A mixture may be decreased to not less than ten (10) seconds, provided there is no segregation of the aggregates. The dry and wet mixing times shall be as directed by the Engineer.
- c. Continuous Mixing Plants. Each size of hot aggregate, mineral filler if specified, and the asphalt cement shall be accurately proportioned in the amounts required by the job mix formula. The mixing period shall be determined as hereinbefore specified for continuous mixing plants and shall be not less than thirty-five (35) seconds. The mixing time shall be as directed by the Engineer, and may be increased above the minimum specified if necessary to produce a homogeneous mixture.
- d. Transportation of Mixture. Trucks used for hauling bituminous mixtures shall have tight, clean, smooth, metal beds that have been thinly coated with a minimum quantity of BR3600 by BioSpan Technologies, Inc. or equal, to prevent the mixture from adhering to the beds. The release agent shall not be diluted less than the minimum rate specified by the manufacturer and shall be applied with equipment recommended by the manufacturer. Use of diesel fuel, fuel oil or other detrimental products as a bed coating or dilution agent will not be permitted. Each truck shall have a cover of canvas or other suitable material of such size to protect the mixture from the weather. The cover shall be securely fastened over all sides of the truck bed. Truck beds shall be insulated, when necessary, such that the mixture will be delivered on the road at the specified temperature. No loads shall be sent out so late in the day that spreading and compacting of the mixture cannot be completed during daylight. Vehicle scales shall have a valid certification from the State of Missouri Department of Agriculture-Weights and Measures division.

- e. Application of Primer. The prime coat, when specified, shall be applied as set forth in Section 223.

- f. Spreading of the Mixture, Pavers and Laydown Machines. The base course, primed surface, or preceding course shall be cleaned of all dirt, packed soil, or any other foreign material prior to spreading the asphalt mixture. Asphaltic concrete shall not be placed on any portion of an aggregate base when the moisture content of the top two (2) inches of the base is more than two-thirds (2/3) of the optimum moisture. The mixture shall be spread in the number of layers and in the quantity required to obtain the compacted thickness and cross section shown on the plans. When placing multiple layers with varying thicknesses, the thicker layer shall be placed first. The compacted thickness of a single layer of bituminous pavement mixture shall be no more than 2 inches for the surface course and 4 inches for the leveling course.

The mixture, when delivered to the spreading and finishing machine shall have a temperature of not less than two hundred degrees Fahrenheit (200°F.) and be within twenty-five degrees Fahrenheit (25°F.) of that designated by the Engineer. It shall be spread only when the prepared grade or preceding course is dry. Bituminous material shall not be mixed or placed when the atmospheric temperature is below forty degrees Fahrenheit (40°F.) or when there is frost in the subgrade, or any other time when weather conditions are unsuitable for the type of material being placed.

The thickness and width of each course shall conform to the typical section in the Contract. The Contractor may construct each course in any number of layers he chooses but no individual layer shall have a compacted thickness of more than 2 inches for the surface course and 4 inches for the leveling course.

For pavements having a width of sixteen (16) to twenty-four (24) feet, inclusive, the asphaltic concrete pavement shall be laid in lanes approximately one-half (1/2) the full width of the completed pavement and the full width completed as soon as practicable. Unless otherwise permitted, a single lane of any course shall not be constructed to a length which cannot be completed to full width of the pavement in one day's operation. For pavement greater than twenty-four (24) feet in width, single lane width constructed shall be limited to one day's production and completion to full width shall be accomplished as soon as practicable.

Mechanical self-powered pavers shall be capable of spreading the mix within the specified tolerances, true to the line, grade and crown indicated on the plans. No segregation will be permitted in handling the mixture at the plant, from the truck, or during spreading operations on the roadway.

Pavers shall be equipped with quick and efficient steering devices and shall be capable of traveling both forward and in reverse. They shall be equipped with hoppers and distributing screws that place the mix evenly in front of the adjustable screeds. They shall be equipped with either a vibrating screed or a tamping bar immediately preceding a static screed.

There shall be sufficient auxiliary attachments for the paving machine so that it may be operated to lay the necessary width as determined in the field by the Engineer. Vibrating screed or tamp bars shall be provided for the full width of all paving operations.

The screed shall include a strike-off device which is effective on mixes at workable temperatures without tearing, shoving or gouging them, and which produces a finished surface of an even and uniform texture. The screed shall be adjustable as to the height and crown and shall be equipped with a controlled heating device for use when required. However, for irregular width paving, hydraulic extensions without tamping bars or a vibrating screed may be used only along the curb or outer edge of pavement.

Automatic Screed Controls: The paver shall be equipped with and use an approved system capable of automatically controlling the elevation and transverse slope of the paver screed unless otherwise directed by the Engineer. An erected stringline, traveling stringline or other approved device operating on the roadbed being paved or the surface of the previously placed lane shall be used to establish the grade reference. The grade reference device shall operate on either or both sides of the paver as required and shall be capable of maintaining the desired transverse slope regardless of changes in the screed elevation. The traveling stringline shall be constructed in such a manner that it does not vibrate or cause the sensor to make erroneous readings during the laydown operation. The length of the beam to be used shall be approved by the Engineer and shall be between 20 and 40 feet. The use of the automatic screed control devices on asphalt pavers will not be required for paving small irregular areas, entrances, approaches, or side street connections. Automatic screed control devices will be required for matching the joint with all previously laid strips, except for those areas noted above.

The mixture shall be spread without tearing the surface and struck off such that the surface is smooth and true to cross section, free from all irregularities, and of uniform density throughout. Care shall be used in handling the mixture to avoid segregation. As soon as the first load of material has been spread, the texture of the unrolled surface shall be checked to determine its uniformity. Segregation of materials shall not be permitted. If segregation occurs, the spreading operation shall be immediately suspended until the cause is determined and corrected. Areas of segregated mixture shall be removed and replaced with a suitable mixture at the Contractor's expense. The outside edge alignment shall be uniform. Irregularities shall be corrected by adding or removing mixture before compacting. In situations where there is a dispute in the existence of segregation, the area in question will be tested in accordance with MoDOT Test Method TM 75. Mixture production shall immediately cease if either criteria of MoDOT Test Method TM 75 fail. Segregated mixtures shall be removed and replaced to the limits determined by the Engineer.

The paving machine shall be operated so that the material does not accumulate

and remain along the sides of the receiving hopper. The wings of the spreader hopper shall not be emptied (flipped) between truck loads. Equipment which leaves tracks or indented areas which cannot be corrected in normal operation, or which produces other permanent blemishes or fails to produce a satisfactory surface, shall not be used. The screed auger shall be operated approximately $\frac{3}{4}$ full and the hopper conveyor shall not be allowed to run out of material during the paving operation.

Sufficient trucks shall be used to continuously supply asphalt to the paver. Delays in the paving operation shall be kept to a minimum. The Contractor shall make every effort to minimize the number of passes heavy equipment makes over uncompleted roadway sections.

When using pavers in echelon, the second paver shall follow the edge of the material placed by the first paver. The length of each laydown pass shall be limited, depending on weather conditions, to assure a hot joint and obtain proper compaction.

Any irregularities in alignment left by the paver shall be corrected by trimming directly behind the machine. Distortion of the pavement during this operation shall be avoided.

All courses shall be feathered out, by hand raking if necessary, in transitioning, the depth of the surface to meet present grades at end of projects to provide a uniform smooth riding surface free of irregularities

When the asphaltic concrete construction consists of more than a single course, each course shall be compacted as specified and allowed to cool throughout to the atmospheric temperature before the next course is placed. The Contractor shall keep traffic off the asphaltic concrete until it has cooled for a sufficient period of time to prevent flushing of the asphalt to the surface, marking or distorting the surface, or breaking down the edges. Normally, this time will vary from two (2) to four (4) hours, depending on the atmospheric and temperature conditions. The final course shall be laid in the same sequence over the entire project as the previously constructed courses unless otherwise approved by the Engineer.

In small areas where the use of mechanical finishing equipment is not practical, the mix may be spread and finished by hand. The material shall be distributed uniformly to avoid segregation of the coarse and fine aggregate. Broadcasting of material shall not be permitted. During the spreading operation, all material shall be thoroughly and uniformly distributed by lutes or rakes. Material that has formed into lumps and does not break down readily shall be removed. Following placing and before rolling, the surface shall be checked with templates and straightedges and all irregularities corrected.

- g. Wedge Course. Since one of the primary objectives of this construction is to obtain the smoothest possible riding surface, the existing roadbed surface will be studied by the Engineer to determine the location's thickness of wedge courses.

This procedure may result in wedging operations over small areas, and rigid control of placement thickness will be required to ensure desired feather-edging at high points and ends of wedge areas. Wedge course, consisting of a layer of asphaltic concrete of variable thickness used to eliminate irregularities in the existing base, shall be spread uniformly to the desired profile grade and cross section. The use of an approved finishing machine will be required on all work. Type BP-2 mixture shall be used for all wedge course.

- h. Compaction. Compaction of asphaltic mixtures shall consist of initial or break-down rolling, intermediate rolling, and final or finish rolling. Except for projects involving small quantities of mixture, initial rolling shall be performed with three (3) wheel rollers or two (2) wheel tandem rollers weighing from eight (8) to twelve (12) tons. Intermediate rolling shall be done with oscillating type pneumatic-tire rollers if required by the Engineer; otherwise it shall be done with either two (2) or three (3) wheel tandem rollers. Final rolling shall be done with either two (2) or three (3) wheel tandem rollers weighing not less than ten (10) tons. Rollers shall be operated at a speed of not more than three (3) miles per hour and in a manner that will avoid shoving, cracking or displacing the mixture during the compacting period. The Contractor shall furnish a sufficient number of rollers to compact and finish satisfactorily the amount of mixture being placed.

The mixture shall be rolled when it is at the proper temperature to receive the roller and when rolling does not cause undue displacement or shoving. This proper temperature varies with the atmospheric condition and type of mixture. Initial compaction shall be done when the mixture has cooled just sufficiently to receive the roller. Intermediate and final compaction shall be done while the mixture is warm and malleable enough to respond to the kneading action of the roller. Rolling shall begin at the sides and progress gradually to the center of each lane. Rollers shall move parallel to the center line of the roadway and uniformly lap each preceding track. Alternate trips of the roller shall be terminated in steps to prevent the formation of surface irregularities. The alternate stops shall be spaced in such a manner that any excess water will drain quickly. Lateral or diagonal rolling may be permitted to remove high spots, provided the rolling is done in such a manner and at such a time that shoving or cracking will not result. To prevent adhesion of the mixture, steel roller wheels shall be properly moistened, but an excess of water will not be permitted.

All mixtures shall be thoroughly compacted and rolling shall be continued until no further compaction is being obtained. Except as otherwise specified, all compacted mixtures shall have a density not less than ninety-eight percent (98%) of that obtained by the laboratory compaction of an identical mixture.

Along curbs, headers, manholes and similar structures and at all places not accessible to the roller, thorough compaction must be secured by means of hot tampers and at all contacts of this character the joints between these structures must be effectively sealed.

The compacted course shall be free of surface irregularities and shall conform to

the grade and dimensions shown on the plans. Weak areas resulting from excess quantities of asphalt, segregation of aggregate or asphalt, areas which become loose or broken, mixed with dirt, or are in any way defective, shall be removed and replaced with fresh hot mixture, compacted to conform with the surrounding area, at the Contractor 's expense.

Thin Layers (Lifts): When placing a thin lift (less than 2 in. compacted thickness) in single-lane width or full width, the mixture should be rolled in the following sequence:

1. Transverse joint.
2. Outside edge.
3. Breakdown rolling, beginning on the low side.
4. Intermediate rolling; same procedure as Step 3.
5. Finish rolling.

When paving a thin lift in echelon, or when abutting a previously placed lane or other lateral restraint, the mixture should be rolled in the following sequence:

1. Transverse joint.
2. Longitudinal joint.
3. Outside edge.
4. Breakdown rolling, beginning on the low side.
5. Intermediate rolling; same procedure as Step 4.
6. Finish rolling.

Thick Layers (Lifts): When placing a thick lift (2 in. or more compacted thickness) in single-lane width or full width, the mixture should be rolled in the following sequence:

1. Transverse joint.
2. Breakdown rolling, beginning 12 to 15 in. interior to the lower unsupported edge. The return pass shall be made with the edge of the roller 3 inches exterior to the unsupported edge of the pavement.
3. Breakdown rolling of outside edge. Repeat the process described in Step 2 above on the other longitudinal edge.
4. Intermediate rolling, beginning on the low side.
5. Finish rolling.

When paving a thick lift in echelon, or when abutting a previously placed lane or other lateral restraint, the mixture should be rolled in the following sequence:

1. Transverse joint.
2. Longitudinal joint.
3. Breakdown rolling, beginning at the longitudinal joint.
4. Intermediate rolling, beginning on the low side.
5. Finish rolling.

When paving in echelon, 2-3 inches of the first mat shall be left unrolled, and rolled when the joint between the lanes is rolled and after the 2nd mat is placed. Edges shall not be exposed more than fifteen minutes without being rolled. Particular attention shall be given to the construction of transverse and

longitudinal joints in all courses.

In laying a surface mix adjacent to any finished area, it shall be placed sufficiently high so that, when compacted, the finished surface will be true and uniform. Where the grade is slight a level will be used to ensure drainage to the desired outlet.

Transverse joints: When the transverse joint is next to an adjoining lane, the first pass shall be made with a static steel-wheeled roller moving along the longitudinal joint for a few feet. The surface will then be checked with a straightedge and corrections shall be made if necessary. The joint then shall be rolled transversely, with 6 in. of the drum width on the newly laid material. This operation shall be repeated with successive passes, each covering an additional 6 to 8 in. of the new mat, until the entire width of a drive roll is on the new mixture. During transverse rolling, wooden boards of the proper thickness should be placed at the edge of the pavement to give the roller a surface to drive on once it passes the edge of the mat. If boards are not used, transverse rolling must stop 6 to 8 in. short of the outside edge to prevent damaging it, and the edge must be compacted later during longitudinal rolling. Transverse joints shall be carefully constructed and thoroughly compacted to provide a smooth riding surface. If the joint has been distorted, it shall be trimmed to a line. The joint face shall be tacked before the fresh material is placed against it.

Longitudinal joints: Longitudinal joints shall be rolled directly behind the paving operation. The edge to be joined shall be tack coated. The paver screed shall be set to overlap the first mat by 1-2 inches. The elevation of the screed above the surface of the first mat should be equal to the amount of roll-down expected during compaction of the new mat. For large aggregate mixes, the coarse aggregate in the material overlapping the cold joint should be carefully removed and wasted, leaving only the finer portion of the mixture to be pressed into the compacted lane at the time the joint is rolled. For mixes with smaller coarse aggregate, such as surface courses, the overlapping material should be pushed with a lute into a hump over the joint area prior to compaction.

Edges: The edges of the pavement shall be rolled concurrently with or immediately after rolling the longitudinal joint. In rolling pavement edges, roller wheels shall extend 2-4 inches beyond the pavement edge provided the lateral displacement is not excessive.

Breakdown Rolling: Breakdown rolling shall immediately follow the rolling of the longitudinal joint and edges. Rollers shall be operated as close to the paver as necessary to obtain adequate density without causing undue displacement. The breakdown roller shall be operated with the drive wheel nearest the laydown machine. Exceptions may be made by the Engineer when working on steep slopes or super-elevated curves.

Intermediate Rolling: Pneumatic-tired rollers shall be used for intermediate rolling. The intermediate rolling shall follow the breakdown rolling as closely as

possible and while the paving mix is still of a temperature that will result in maximum density from this operation. Pneumatic-tired rolling shall be continuous after the initial rolling until all of the mix placed has been compacted to the required density. Turning of pneumatic-tired rollers on the hot paving mix which causes displacement shall not be permitted.

Finish Rolling: The finish rolling shall be accomplished while the material is still warm enough for the removal of roller marks. All roller marks shall be removed by the finish rolling operation. All rolling operations shall be conducted in close sequence.

In places inaccessible for the operation of standard rollers as specified, compaction shall be performed by trench rollers or others meeting the requirements of Section 222.3.4 entitled "Rollers." The trench roller shall be operated until the lift is thoroughly compacted. Hand tamping, manual or mechanical, may be used in such areas, if such operations will give the required density.

- i. Joints. Longitudinal joints and edges shall be constructed to true lines. Lines for the paver to follow in placing individual lanes will be established parallel to the centerline of the proposed roadway. The paver shall be positioned and operated to follow closely the established line. Transverse joints in succeeding courses shall be offset at least 2 feet. Longitudinal Joints shall be offset at least 6 inches. The longitudinal joints shall be laid out so that the surface joint is under the lane markings where possible. Edges against which additional pavement is to be placed shall be placed on a 30° (2:1) bevel, or as specified by the Engineer. Any irregularities in the surface of the pavement course shall be corrected directly behind the paver. Excess material forming high spots shall be removed by a shovel or lute. Indented areas shall be filled with hot mix and smoothed. Broadcasting of material shall not be permitted.

Well bonded and sealed joints are required. Joints between old and new pavements, or between successive day's work shall be carefully made in such a manner as to ensure thorough and continuous bond between the old and new surfaces. Hot soothers or tampers shall be carefully employed in such a manner as to heat up the old pavement sufficiently (without burning it) to ensure a proper bond. Before placing mixture against them, all contact surfaces of dry longitudinal joints, curbs, gutters, headers, manholes, etc., shall be painted with a thin uniform coating of primer. In making the joint along any adjoining edge such as a curb, gutter, or an adjacent paving and after the hot mixture is placed by the finishing machine, just enough of the hot material shall be carried back to fill any space left open. The joint shall be properly "set-up" with the back of rake at proper height and level to receive the maximum compression under rolling. The work of "setting-up" this joint shall be performed always by competent workmen who are capable of making a correct, clean, and neat joint.

- i. Testing Pavement. At least one in situ density test shall be conducted per 300

linear feet of street pavement, and three 4" diameter core samples shall be taken per 500 linear feet of street pavement for the determination of the average pavement thickness. The finished courses shall have the thickness shown on the plans and shall be free from waves or irregularities and shall not vary from a ten (10) foot straight-edge, applied parallel to the center line, by more than one-half (1/2) inch on the first or intermediate courses and not more than one-eighth (1/8) inch on the surface course.

For determining the qualities of the mixture in the compacted state, specimens shall be sawed from any finished course as directed by the Engineer. The area damaged by removing the specimen shall be repaired with hot mixture properly compacted. For cutting samples of compacted mixture from the pavement as directed by the Engineer and replacement of the surface, the Contractor will be paid five dollars (\$5.00) per sample.

222.5. Method of Measurement. Measurement of asphaltic concrete will be made to the nearest ton of satisfactory mixture complete in place. When the mixture is produced by a batch type plant, the batch weights will be used to determine the tonnage. When the mixture is produced by a continuous mixer type plant, the quantity of mixture will be determined by weighing each truck load on an accurate and reliable scale approved by the Engineer.

222.6. Basis of Payment. The quantities complete in place and accepted, will be paid for at the applicable Contract unit prices per ton, as described below, which payment shall be full compensation for furnishing, mixing, hauling and placing materials, and for all labor and use of equipment, tools and incidentals necessary to complete the work in accordance with these specifications. Payment will be made for asphaltic concrete placed in accordance with these specifications, as follows:

Item 222.1. Wedge course, per ton or square yard.

Item 222.2. Asphaltic concrete base, per ton or square yard.

Item 222.3. Type BP-1 asphaltic concrete, per ton or square yard.

Item 222.4. Type BP-2 asphaltic concrete, per ton or square yard.

SECTION 223

PREPARATION OF BASE AND APPLICATION OF PRIMER AND TACK COATS

223.1. Description. Preparation of base and application of primer shall consist of applying a primer or tack coat to a prepared base. The type and grade of prime material to be used will be specified in the Contract.

223.2. Materials. All materials shall conform to the requirements of the Asphalt Paving Institute MS-4 and MS-5 requirements. Performance graded binders shall be in conformance with Section 220.3

The quantity of asphalt in emulsified asphalts may be reduced to thirty-five percent (35%) when directed by the Engineer.

223.3. Equipment. The equipment required on this work shall consist of a pressure distributor meeting the requirements specified below and other approved equipment including a five (5) ton roller. The pressure distributor shall be so designed, equipped, maintained and operated that liquid asphalt at even heat may be applied uniformly on variable widths of surface up to 15 feet at readily determined and controlled rates from 0.02 to 1.00 gallons per square yard, with uniform pressure, and with an allowable variation from the specified rate not to exceed 0.02 gallons per square yard. Distributor equipment shall include a tachometer, pressure gauges, a calibrated tank and a thermometer for measuring temperatures of tank contents. Distributors shall be equipped with a power unit for the pump, and full circulation spray bars adjustable laterally and vertically. The calibration of all distributors must be approved by the Engineer, and the Contractor shall furnish all equipment, material and assistance necessary if calibration is required. The pressure distributor shall be designed and equipped with pressure gauges to enable the operator to control the flow and to distribute the primer under a uniform pressure of not less than twenty-five (25) pounds per square inch. Adjustable length, spray bars shall be operated a proper distance above the ground to ensure a fifty percent (50%) lap of the sprays from adjacent jets.

223.4. Construction Procedure. Preparation of Base.

Prime Coats:

- a. Prime coats shall be used at all cul-de-sacs, intersections, and where pavement lifts are less than 4”.
- b. Absorbent Surface. The surface to be primed shall be shaped to the required grade and cross section, shall be free from all ruts, corrugations, segregated material or other irregularities, and shall be uniformly compacted by rolling. When the base consists of bound aggregate, loose gravel, or stone, the existing surface shall be prepared by wetting, if necessary, and blading and rolling in accordance with Section 205 unless otherwise specified. These operations shall continue until a smooth, uniform and compact surface is obtained, and shall be performed just prior to applying the primer. The surface shall be slightly damp and firm when primer is applied, no direct payment will be made for furnishing or applying any required water. Delays in priming may necessitate reprocessing or

reshaping to provide a smooth compacted surface.

- c. Non-absorbent Surface. When the base is of concrete, brick, or other non-absorbent surface, the surface of the base shall be cleaned of all dust, loose material, grease or other foreign material, and shall be maintained in this condition until the primer is applied. Any fat bituminous surface mixture or bituminous joint material will be removed by others without cost to the Contractor before the primer is applied. If sixty to one hundred (60-100) Penetration Asphalt is permitted as an alternate for RC-0 for primer on non-absorbent type of surface, the penetration asphalt shall be cut back by the addition of naphtha to produce a final product that is the approximate equivalent of RC-0. The naphtha used shall have an initial boiling point of not less than one hundred eighty degrees Fahrenheit (180EF.) and an end point not greater than three hundred fifty degrees Fahrenheit (350EF.). The prepared and primed base shall meet the requirements of the specification relating to such work at the time it is covered, regardless of when the primer is applied. The surface of the base shall be dry when the primer is applied, except in the case of emulsion primer.

Tack Coats

- a. Tack coats shall be used at all cul-de-sacs and intersections.
- c. Water soluble tack coat is to be used as curing compound on street patch SP-5 and may be cut with water.
- b. The existing surface shall be free of all dust, loose material, grease or other foreign material at the time the tack is applied. Any excess surface oil on roadway or bituminous joint material will be removed by others without cost to the owner before the tack is applied.

The primer and tack coats shall be applied per the following table:

Material to be Treated	Application Usage	Type of Emulsion or Grade of Cutback	Application Rate (Gal/SY)	Application Temperature (°F)	Cure Time at 70°F
Existing Asphalt or Concrete Surface	Tack	RC-70	0.05-0.10	150-225	1-6 hrs
	Tack	SS-1 SS-1h CSS-1 CSS-1h	0.05-0.15	70-160	1-3 hrs
Treated Base, i.e. lime, fly ash cement	Prime	MC-30 MC-70	0.1-0.3	85-120	12-24 hrs
	Prime	SS-1 SS-1h CSS-1 CSS-1h	0.1-0.3	70-160	24-48 hrs
Untreated Aggregate Base w/ Fines	Prime	MC-30 MC-70	0.1-0.3	85-120	12-24 hrs

Material to be Treated	Application Usage	Type of Emulsion or Grade of Cutback	Application Rate (Gal/SY)	Application Temperature (°F)	Cure Time at 70°F
Untreated Aggregate Base w/o Fines	Prime	MC-250	0.1-0.3	85-120	12-24 hrs
Untreated Aggregate Base	Prime	SS-1 SS-1h CSS-1 CSS-1h	0.1-0.3	70-160	24-48 hrs
	Prime	EAP, PAE, or PEP	0.1-0.3	60-160	12-24 hrs

Application of Prime Coat. Bituminous material shall be applied to the width of the section to be primed by means of a pressure distributor in a uniform, continuous spread. The subgrade shall be moistened before the prime is applied. The application rate shall be as specified in the Contract or as approved by the Engineer between 0.1 and 0.5 gallons per square yard. The primer shall be heated at the time of application to a temperature in accordance with the limits provided in the table above, or as specified in the Contract.

Care shall be taken that the application of bituminous material at the junctions of spreads is not in excess of the specified quantity. Building paper shall be placed over the end of the previous applications and the joining application shall start on the building paper. Building paper used shall be removed and satisfactorily disposed of. Pools of primer material remaining on the surface after the application shall be removed. The primer shall be properly cured and the primed surface shall be cleaned of all dirt and surplus sand, before the next course is placed.

When traffic is maintained, not more than one half of the width of the section shall be treated in one application and one-way traffic will be permitted on the untreated portion of the roadbed. As soon as the bituminous material has been absorbed by the surface and will not pick up, traffic shall be routed to the treated portion and the remaining width of the section will be primed. The primer shall be properly cured, and the primed surface shall be cleaned of all dirt and surplus sand before the next course is placed. The prime coat for non-absorbent surfaces may be applied full width, provided the primed surface including entrances and side streets is blotted with sand in such quantity as directed by the Engineer before it is opened to traffic.

Primer shall be applied only when the atmospheric temperature is above fifty degrees Fahrenheit (50°F.), and when ground and other conditions are favorable. It shall be the Contractor's responsibility to maintain or restore the completed primed surface in such a manner that a smooth, uniform surface will be available for the next course.

Application of Tack Coat. Asphalt emulsion shall be applied uniformly with a pressure distributor at the rate specified in the table above, as specified by the Contract, or as revised by the Engineer to be within a minimum of 0.05 and a maximum of 0.15 gallons per square yard. Water may be added to the asphalt emulsion and mixed therewith in such proportion that the

resulting mixture will contain not more than 50% of added water, the quantity of added water to be approved by the Engineer. The application of the resulting mixture shall be such that the original emulsion will be spread at the specified rate. The asphalt emulsion shall be heated at the time of application to a temperature in accordance with the above table. The tack shall be properly cured and the tacked surface shall be cleaned of all dirt and surplus sand before the next course is placed.

223.5. Method of Measurement. Measurement of bituminous material to the nearest ten (10) gallons will be made as specified in Section 220.2, Measurement of Liquid Bituminous Materials.

Measure of material for sanding primer will be made to the nearest ton, weighed in the vehicle at such location as may be directed by the Engineer.

223.6. Basis of Payment. Payment for bituminous material will be made at the Contract unit price per gallon.

Payment for furnishing and spreading sand on the primed surface will be made at Contract unit price per ton. Payment will be made under:

Item 223.1. Primer, per gallon.

Item 223.2. Sanding primer, per ton.

SECTION 225

BITUMINOUS PLANT MIX

225.1. Description. Bituminous plant mix, shall consist of a mixture of mineral aggregate and bituminous binder prepared in a stationary plant.

225.2. Materials.

225.2.1. Performance graded binder shall conform to the City of Columbia Specifications, Section 220, Bituminous Materials.

225.2.2. Graded Aggregate shall conform to, specifications for aggregate used by all departments of the City of Columbia.

225.2.3. The type of bituminous material and grade of aggregate will be specified in the Contract. In addition to the above requirements, any bituminous material used shall perform satisfactorily when mixed with the aggregate. It shall coat the aggregate, resist the washing action of water, and set to the satisfaction of the Engineer.

SECTION 226

PLANT MIX BITUMINOUS STABILIZED BASE

(Divided Aggregate Type)

226.1. Description. Plant mix bituminous stabilized base, divided aggregate type, shall consist of mineral aggregate and bituminous binder prepared in a stationary plant by separating the aggregate into two (2) or more fractions and recombining in the mixer. The mixture shall be placed on a prepared subgrade in conformity with the line, grade, and section shown on the plans. Placing and compaction shall conform with the requirements of Section 222 – Asphaltic Concrete Pavement.

226.2. Materials.

226.2.1. All materials shall conform to the following sections of these specifications

<u>Item</u>	<u>Section</u>
Asphalt Binder, PG64-22 or per specs	220.3
Graded Aggregate	227
Mineral Filler	221.3

226.2.2. Aggregate shall consist of crushed limestone or dolomite, except as hereinafter permitted, and at the time of mixing with bituminous material, shall meet the following gradation requirements:

Passing 1 1/2 inch sieve	100%
Passing 1/2 inch sieve	60 - 90%
Passing No. 4 sieve	35 - 65%
Passing No. 10 sieve	25 - 50%
Passing No. 40 sieve	10 - 35%
Passing No. 200 sieve	5 - 12%

At the option of the Contractor, fine aggregate conforming to the requirements of Section 221.2. may be incorporated into the mixture. The total amount of such fine aggregate shall not exceed thirty percent (30%) by weight of the combined aggregate and it shall be added at the asphalt plant by means of a separate cold aggregate feeder.

226.2.2.1. Prior to the start of bituminous work, the Contractor shall submit representative samples of aggregates and bituminous material intended for use, for purposes of determining the specific gravity of a laboratory compacted sample and the percentage of bituminous material to be used. Upon approval of the materials submitted, the Contractor will be required to furnish the aggregate not only within the above specified ranges but as a further requirement it shall not vary from the approved gradation by more than the following tolerances:

Passing No. 8 sieve --	Plus or minus 5.0 percent
Passing No. 200 sieve --	Plus or minus 2.0 percent

226.2.3. The type of bituminous material will be specified in the Contract and the Engineer will designate the grade after examination of the mineral aggregates which the Contractor proposes to furnish.

226.2.4. The composition of the mixture shall be as directed by the Engineer and shall conform to the following limits by weight:

Total Mineral Aggregate	94-97%
Bituminous Material	3-6%

The Engineer reserves the right to make such charges in the proportions of bituminous material and aggregate which he considers necessary within the limits of the specifications. The amount of bituminous material in the mixture shall not vary from that specified by the Engineer by more than plus or minus 0.5 percent. The bituminous material and mineral aggregate shall result in a bituminous mixture which will be durable and retain satisfactory cohesion and stability in the presence of moisture. Chemical additions, approved by the Engineer, may be made to the bituminous material or to the mixture.

226.3. Equipment.

226.3.1. The plant used for the preparation of the mixture shall include cold aggregate feeders, rotary dryer, screens, storage bins with at least two (2) compartments for dried aggregate, thermometric equipment for registering the temperatures of aggregate and bituminous material, either scales or volumetric proportioning devices for controlling the quantity of each ingredient of the mixture, a twin shaft pugmill or other approved type of mixer, and any other equipment necessary to produce the mixture as specified.

226.3.2. Batch type plants shall be equipped with scales for accurately weighing each size of mineral aggregate. Scales for any weigh box or hopper may be either of the beam or springless dial type and shall be so designed that they may be maintained with a maximum tolerance of 0.4 percent of the net load applied. Beam type scales shall be equipped with a separate beam for each type of material to be weighed and with an accurate telltale dial. The bituminous material may be measured either by weighing or by metering devices capable of controlling the quantity to within one percent (1%) of the required amount. Suitable equipment shall be provided either by steam jacketing or other means, for maintaining the specified temperature of the bituminous material in the pipe lines, meters, weigh buckets and other parts of the bituminous material system.

226.3.3. Continuous mixing plants shall include a means for accurately proportioning each bin size of aggregate and mineral filler either by weighing or by volumetric measurement. When volume proportioning is used, the unit shall include a feeder mounted under the compartment bins. The flow of material from each bin shall be through an accurately calibrated orifice. The orifice shall be controlled by an adjustable gate and indicators shall be provided on each gate to show the opening in inches. The calibration of the gate openings shall be determined by weighed test samples.

226.3.3.1. When continuous mixing plants are used, the bituminous material shall be proportioned by volume through an approved asphalt metering pump. The asphalt shall be

sprayed on the aggregate as it is charged into the mixer. The aggregate proportioning unit and the asphalt metering pump shall be mechanically interlocked. This interlocking device shall be of a type that the quantity of either asphalt or aggregate can be positively adjusted and when the correct proportions are established the flow can be accurately controlled.

226.3.4. Test weights, scales, and other equipment necessary for calibration of the plant and for verifying the accuracy of proportions shall be furnished by the Contractor and shall be available at all times. The operation of the individual units of the plant shall be so coordinated and controlled that an accurately proportioned and uniform mixture complying with these specifications will be produced.

226.4. Construction Procedure.

226.4.1. The bituminous mixture shall be placed on a subgrade prepared as specified in Section 205.

226.4.2. Preparation of Bituminous Materials. The bituminous material used in the mixture shall be carefully heated, without damage by overheating, to a workable temperature within the range specified in Section 220.4., Application Temperatures for Bituminous Materials. If methods other than steam are used, the material shall be agitated continuously to prevent localized heating.

226.4.3. Preparation of Aggregate. The mineral aggregate shall be fed into the drier through approved aggregate feeders of any type which will control accurately the total and proportional feed. The drier shall be equipped with heating equipment which can be positively regulated and an efficient dust collecting system preventing the loss of fine material. The material collected shall be returned to the mixture at a uniform rate or wasted as approved by the Engineer. When the aggregate is furnished in more than one (1) fraction, each fraction shall be proportioned through a separate mechanical feeder. The dried and heated aggregate shall be screened into two (2) sizes on a screen having an opening not larger than the No. 4 nor smaller than the No. 10 sieve. Each size of aggregate shall be kept in a separate compartment of the storage bins until proportioned for mixing. The temperature of the aggregate, when delivered to the mixer, shall be within the same range as that specified for bituminous material in Section 220.4, for the type and grade of bituminous material being used. The absorbed moisture in the aggregate shall be reduced to such a quantity that there will be no segregation of material resulting from escaping water vapor in the prepared mixture.

226.4.4. Preparation of Mixture. The mineral aggregate, bituminous material, and mineral filler if required, shall be measured separately and accurately in the proportions directed by the Engineer. The ingredients of the mixture may be measured either by volume or by weight as specified herein. Mixing shall be done in either a batch type or continuous type pugmill mixer. The bituminous material and aggregate shall be mixed until all particles are uniformly coated. Dry mixing prior to the application of the bituminous material may be required to prevent the formation of dust balls. The mixing time shall be as specified in Section 222 for Batch Type Plants or for Continuous Mixing Plants. The mixing unit on batch type plants shall include a device which will govern the mixing time and maintain it constant unless a change is ordered by the Engineer. The final mixture, when discharged from the pugmill, shall be sufficiently workable to permit satisfactory placement. The temperature of the mixture shall not

vary more than twenty five degrees Fahrenheit (25EF.) from that designated by the Engineer and in all cases shall be within the same range as that specified for bituminous material in Section 220, for the type and grade of bituminous material being used.

226.4.5. Transportation, spreading, joints, and compaction shall be per Section 222 – Asphaltic Concrete Pavement.

226.4.6. Testing Pavement.

226.4.6.1. During construction, the Engineer will make as many tests as are necessary to assure that the course is being constructed of proper thickness, composition and density. At least one in situ density test shall be conducted per 300 linear feet of street pavement, and three 4” diameter core samples shall be taken per 500 linear feet of street pavement for the determination of the average pavement thickness. The Contractor will be required to cut samples of the compacted mixture from any course at locations designated by the Engineer and shall deliver them to the field laboratory in good condition. Samples may be obtained by either sawing with a power driven saw or by drilling four (4) inch diameter cores. Each sawed sample shall consist of a single piece of the pavement of the size designated by the Engineer but not larger than twelve (12) inches square. Each cored sample shall consist of three (3) cores. All samples shall be taken the full depth of the layer to be tested and shall consist of an undisturbed portion of the compacted mixture. The surface from which samples have been taken shall be restored by the Contractor not later than the next succeeding day of plant operation. Payment for sawing or drilling and delivering samples of compacted mixture from the pavement and replacement of the surface will be made at five dollars (\$5.00) per sample.

226.5. Method of Measurement.

Method No. 1: Plant Mix Bituminous Stabilized Base, measured to the nearest ton (2000 pounds).

Method No. 2: Mineral aggregate, measured on a tonnage basis of two thousand (2000) pounds; bituminous material, measured to the nearest ten (10) gallons.

226.6. Basis of Payment.

226.6.1 The quantities, complete in place and accepted, will be paid for at the applicable Contract unit price, which payment shall be full compensation for preparation of subgrade, furnishing, hauling and placing all materials, compaction equipment, tools, labor and work incidental thereto. Payment will be made under:

Method No. 1: Item No. 226.1. Plant mix bituminous stabilized base, per ton

Method No. 2: Item No. 226.2. Mineral aggregate, per ton

Item No. 226.3. Bituminous material, per gallon

SECTION 227

GRADED AGGREGATE FOR BITUMINOUS MIX

227.1. Graded aggregate for bituminous mix shall consist of sound, durable rock particles, free from objectionable coatings. When the aggregate is tested in accordance with AASHTO T-96-58(C) (Los Angeles Abrasion), the percentage of deleterious substances shall not exceed the following values and the sum of percentages of all deleterious substances shall not exceed eight percent (8%):

Deleterious Rock	8.0%
Mud Balls and Shale Combined	2.0%
Clay	3.0%
Other Deleterious Substances	0.5%

227.2. The aggregate shall comply with the following requirements as specified in the proposal:

GRADE	KIND OF MATERIAL	PERCENTAGE PASSING BY WEIGHT							
		SIEVE SIZES							
		1"	3/4"	1/2"	3/8"	No. 4	No. 10	No. 40	No. 200
A	Gravel or Crushed Stone	100	90-100	65-85	...	40-65	25-50	10-30	0-5 or 5-10
B	Gravel	100	90-100	65-85	...	40-65	20-50	5-25	0-5 or 5-10
C	Crushed Stone	100	90-100	65-85	...	25-55	15-40	5-20	0-7
D	Gravel or Chat	...	100	80-100	...	40-65	20-55	8-25	0-5 or 5-10
E	Gravel or Chat	...	100	95-100	...	60-90	35-65	10-30	0-5 or 5-12
F	Gravel or Chat	100	75-100	50-80	25-50	7-25	0-5
G	Gravel, Chat or Crushed Stone	...	100	80-95	...	25-55	15-40	5-20	0-5 or 5-10
H	Crushed Stone	...	100	75-90	...	20-40	5-15	3-10	0-7
I	Crushed Stone	...	100	90-100	...	40-65	20-50	10-30	5-15

227.2.1. If Grade A, B, D, E or G is specified, the proposal may designate one or the other of the ranges of material passing the No. 200 sieve. If the range is not so designated, the Contractor shall notify the Engineer of the range he proposes to use in order that the proper bituminous binder may be specified.

SECTION 228

SUPERIOR PERFORMING ASPHALTIC PAVEMENT (SUPERPAVE) MATERIALS

228.1. Performance Graded Asphalt Binder.

228.1.1. Approval of Source. The Contractor shall obtain approval of the source of bituminous material from the Engineer before any shipments to the work are made.

228.1.1.2. Sampling, Testing and Acceptance Procedures. The supplier shall certify that bituminous material complies with the specification requirements.

228.1.1.2.1. Certification. The supplier shall furnish the truck driver a copy of the bill of lading, manifest or truck ticket that is to be available to the Engineer at destination prior to unloading. The Engineer at the source shall be furnished a copy. The bill of lading, manifest or truck ticket shall provide the following information regarding the shipment: type and grade of material; specific gravity at 60° F; net gallons; consignee; truck number; identification number; weight of truck before and after loading; destination; date loaded; name and location of the source; and a certification statement. The certification statement shall be signed by an authorized representative of the supplier and shall be substantially as follows:

"This certifies that the bituminous material in this shipment complies with MoDOT or City of Columbia specifications for the grade specified and the weights shown hereon were obtained on MoDOT approved scales and are correct within the specified scale requirements."

228.1.1.2.2. Sampling. The Engineer may, at random, observe the sampling and testing of truck shipments and tanks and will select representative samples of the material being supplied for testing in the field or in a testing laboratory. When test results certified by the supplier are not representative of the material being shipped, the source approval will be withdrawn. A source may be reinstated when proof is furnished that the deficiency has been corrected and adequate controls are in effect to guarantee delivery of material meeting specifications.

228.1.1.2.3. Sampling Equipment. The supplier shall furnish the required sampling equipment and shall sample the truck under the direction of the Engineer. The supplier shall be responsible for keeping all sampling equipment clean and in good condition. Sampling devices on truck transports will be approved provided that an adequately insulated valve is used with a pipe or nipple inserted a suitable distance into the tank.

228.1.1.2.4. Truck Log. Each truck transport shall carry a log showing types of material and the dates hauled with respect to previous shipments, or the supplier shall furnish to the Engineer such information with respect to the previous load.

228.1.1.2.5. Intermediate Storage. Intermediate storage tanks for storage and transfer of material between the refinery or terminal and the point of acceptance shall be equipped for

sealing and shall be reserved for City of Columbia or MoDOT work. Use of any material from unsealed tanks will be subject to delay until material can be sampled, tested, and approved.

228.1.1.2.6. Other Transportation. At sources from which liquid bituminous material is being accepted by certification, the applicable requirements of the foregoing sections shall be followed for shipments of material in transportation units other than trucks. The certification and all information regarding each shipment shall be furnished to the Engineer at the source.

228.1.1.3. Proportioning and Blending Bituminous Material Constituents. All materials shall be properly proportioned and thoroughly blended in suitable tanks prior to delivery to transportation equipment, or material may be proportioned and blended by use of automatic proportioning equipment. All automatic-proportioning blenders shall meet the approval of the Engineer and shall be equipped with precision instruments, including electrically interlocked motors and automatic meters. Blending quantities of less than 8,000 gallons in tanks, or in tank trucks, will not be permitted.

228.1.1.4. Performance Graded Asphalt Binder. The grade shall be PG64-22 or as specified in the Contract.

228.1.2.1. Description. Performance graded asphalt binder shall be an asphalt-based binder produced from petroleum residue either with or without the addition of non-particulate organic modifiers.

228.1.2.2. Characteristics. Performance graded asphalt binder shall be in accordance with AASHTO M 320 for the grade specified, except as follows. AASHTO T 111, Inorganic Matter or Ash in Bituminous Materials, may be substituted for AASHTO T 44, Solubility of Bituminous Materials, at the specification value indicated. The direct tension test will be waived. The following additional requirements shall apply.

<u>Binder Characteristics</u>		
<u>Absolute Temperature Spread Between Upper and Lower Temperature for PG Binder Grade^a</u>	<u>Elastic Recovery^b, Percent, Minimum, AASHTO T 301</u>	<u>Separation Test^c, Percent Difference, Maximum, ASTM D 5976</u>
86°C	-	-
92°C	55%	10%
98°C	65%	10%
104°C	75%	10%

a Temperature Spread = Upper PG Temperature minus Lower PG Temperature.

b Elastic recovery test to be performed on the residue from the Rolling Thin Film Oven Test at 25°C and 10 cm elongation.

c Separation test to be performed in accordance with ASTM D 5976 except test upper and lower portions as original binder for G* value according to AASHTO T 315.

228.1.2.3. Storage. Performance graded asphalt binder shall be furnished as a uniform mixture shipped directly to the project site from the asphalt binder supplier's permanent plant address or intermediate storage facility, suitable for direct use. Asphalt binder shall be capable of storage at the project site without separation or settling. Automatic blending will be

allowed, except no intermediate blending of asphalt binder and any other modifiers will be allowed at the project site.

228.1.2.4. Certification and Acceptance. Suppliers furnishing performance graded asphalt binders to City projects by certification shall be in accordance with AASHTO R26, except as noted herein.

228.1.2.5. Failure to Comply. Failure to fulfill any of these requirements may result in disqualification of the performance graded binder supplier. If a primary manufacturing facility is disqualified, all terminals shipping performance graded binder manufactured at the primary facility and who are not performing AASHTO M 320 specification compliance testing will automatically be disqualified. In cases of dispute, test results obtained by the City of Columbia will be considered referee and final.

228.1.3. Liquid Bituminous Materials. Suppliers furnishing liquid bituminous materials shall comply with the following. All truck shipments shall be loaded from approved storage tanks, which have been sampled, tested, and certified by the supplier to the Engineer. If automatic blending equipment is used, blender material will be approved for use provided the finished product complies with specifications. At least one complete test shall be conducted every 2 weeks on each grade of material furnished for City work from the blender. A certified copy of the test results shall be furnished to the Engineer. Sampling and testing for certification purposes shall be conducted prior to shipping material to City work. After loading, the supplier shall sample and make identifying tests on a sufficient number of truck shipments of material consigned to a construction project to ensure that proper quality control is being maintained and that all such shipments comply with the specification requirements. The identifying test is viscosity for liquid bituminous material. For all liquid bituminous material, AASHTO T 111, Inorganic Matter or Ash in Bituminous Materials, may be substituted for AASHTO T 44, Solubility of Bituminous Materials, at the specification value indicated.

228.1.4. Sampling and Test Methods for Performance Graded binder.

<u>Property</u>	<u>Method</u>
Sampling	AASHTO T 40
Water	AASHTO T 55
Flash Point (Cleveland Open Cup)	AASHTO T 48
Solubility in Trichloroethylene	AASHTO T 44
Dynamic Shear	AASHTO M 320
Rolling Thin Film Oven Test	AASHTO T 240
Pressure Aging Test	AASHTO R 28
Creep Stiffness	AASHTO T 313
Direct Tension	AASHTO T 314

228.1.5. Application Temperatures for Performance Graded binder.

<u>Bituminous Material</u>	<u>Temperature, Degrees Fahrenheit</u>			
	Spraying		Mixing	
Asphalt Binder	Min	Max	Min	Max
PG 64-22	260°	325°	---	---
All Other Grades	285°	350°	275°	350°

228.1.5.1. Application temperatures of other grades of emulsions will be as specified in the Contract.

228.1.5.2. The spraying temperature for non-modified PG 64-22 asphalt binder is 260° - 325° F and for all other higher temperature, non-modified performance grades is 285° - 350° F. The mixing and compaction temperatures for performance graded asphalt binder shall be determined by rotational viscosity testing as defined in AASHTO T 316.

228.1.5.3. When material to be applied by pressure distributor is, due to refining or blending procedures, delivered at a temperature above the specified limits, the material may be applied at the higher temperature provided satisfactory application can be obtained at the specified rate and provided sufficient precaution is exercised with respect to the fire hazard.

228.2. Coarse Aggregate.

228.2.1. All coarse aggregate shall consist of sound, durable rock, free from objectionable coatings. When the coarse aggregate is tested in accordance with AASHTO T 96 (Los Angeles Abrasion), the percentage of wear shall not exceed 45. Coarse aggregate tested in accordance with AASHTO T 327 Micro Deval Abrasion Test the percent loss shall not exceed 21. The percentage of deleterious substances shall not exceed the following values and the sum of percentages of all deleterious substances shall not exceed 8 percent.

<u>Item</u>	<u>Percent by Weight</u>
Deleterious rock	8.0
Shale	1.0
Other foreign material	0.5

The requirements of this section apply to each size or fraction of aggregate produced.

228.2.2. Crushed porphyry aggregate meeting the approval of the Engineer shall be a uniform product, furnished in one or more fractions. When special asphaltic concrete mixture porphyry & limestone (LP) is specified, the total crushed porphyry aggregate shall be uniformly graded and shall have material passing each sieve from the maximum size aggregate through the number 200 sieve. Total aggregate gradations consisting of essentially one size aggregate will not be permitted.

228.2.3. Steel slag aggregate meeting the approval of the Engineer shall be a uniform product, furnished in one or more fractions. Steel slag consisting principally of a fused

mixture of oxides and silicates is a synthetic aggregate produced as a by-product of basic oxygen, electric or open-hearth steel making furnaces. The steel slag shall be aged at least 3 months after crushing and screening. Material that is screened after it has been crushed, initially screened, and aged 3 months, will not be required to receive additional aging. Steel slag from one source shall not be mixed with or used with steel slag from a different source. When special asphaltic concrete mixture slag & limestone (LS) is specified, the total steel slag aggregate shall be uniformly graded and shall have material passing each sieve from the maximum size aggregate through the number 200 sieve. Total aggregate gradations consisting of essentially one size aggregate will not be permitted.

228.2.4. When a density requirement is specified for asphaltic concrete, the total quantity of chert in each size or fraction of produced crushed stone aggregate, including that permitted as deleterious, shall not vary more than 10 percent from the quantity present in the aggregates used in the approved laboratory job mixtures.

228.2.5. Gravel aggregate shall be washed sufficiently to remove any objectionable coating. Gravel aggregate for SP190 mixtures shall be crushed from gravel that has a maximum of 10 percent passing a 1-inch sieve. Gravel aggregate for SP125 mixtures shall be crushed from gravel that has a maximum of 10 percent passing a ¾-inch sieve. Crushed gravel shall comply with the requirements for mechanically induced faces in Section 228.2.8.

228.2.6. Pile-run chat will not be approved for use in asphaltic concrete unless the chat has been conditioned to meet a specific gradation. A tolerance of 7 percent, plus or minus, on each sieve fraction will be permitted providing the aggregate complies with other provisions of this specification.

228.2.7. Coarse Aggregate Angularity. Coarse aggregate angularity is measured on the coarse portion of the blended aggregate. It is defined as the percent by weight of the aggregate particles larger than the Number 4 sieve with one or more fractured faces. A fractured face is an angular, rough or broken surface of an aggregate particle created by crushing or other artificial means. When tested in accordance with ASTM D 5821, “Standard Test Method for Determining the Percentage of Fractured Particles in Coarse Aggregate”, the coarse aggregate shall meet the following criteria. As shown, the criteria denotes the minimum allowable percentage of the coarse aggregate with “one / two” fractured faces, e.g. an “85 / 80” requirement means that the coarse aggregate shall have a minimum of 85 percent particles by weight with one fractured face and a minimum of 80 percent particles by weight with two fractured faces.

<u>Design Level</u>	<u>Mixture Depth from Surface</u>	
	<u>4 inches</u>	<u>> 4 inches</u>
F	55/-	-/-
E	75/-	50/-
C	95/90	80/75
B	100/100	95/90

228.2.8. Flat and Elongated Particles. When tested in accordance with ASTM D 4791, no more than 10 percent by mass of the blended aggregate particles retained on the number 4 sieve shall have a ratio of maximum to minimum dimensions greater than five. This applies when design traffic Equivalent Single Axle Loads (ESALs) are greater than 1,000,000.

228.2.9. Absorption. The absorption value of the aggregate used shall not exceed 4.0 percent measured by weight.

228.2.10. Soundness. When testing in accordance with AASHTO T 104, the loss of coarse aggregate in 5 cycles of the accelerated soundness test shall not be greater than 12 percent when sodium sulfate is used. Contractor shall furnish Engineer test results a minimum of 10 calendar days prior to the intended time of use. A soundness test taken on aggregate sampled from a well-defined quarry ledge or gravel pit may be considered to represent that entire ledge or pit, and any fine or coarse aggregate fractions from that ledge or pit. Should any change in ledge or pit characteristics be observed, retesting might be required at the discretion of the Engineer.

If approval of a stockpile is requested, the stockpile shall contain material for five days of the intended usage or 500 tons, whichever is greater. No material shall be removed from or added to the stockpile during the testing period. Unapproved material shall be segregated from approved materials in stockpiles at all times.

This specification shall not apply to siliceous sands from the Missouri River.

228.3. Fine Aggregate.

228.3.1. Fine aggregate for asphaltic concrete shall be a fine, granular material, naturally produced by the disintegration of rock of a siliceous nature and/or manufactured by the mechanical reduction of sound durable rock with a percentage of wear not exceeding 45 when tested in accordance with AASHTO T 96. With written approval of the Engineer and compliance with this specification, chat sand produced from flint chat in the Joplin area, dolomite chat sand as produced in the southeast lead belt area, fines manufactured from igneous rock and chert gravel, or wet bottom boiler slag may be used as fine aggregate for asphaltic concrete. Fine aggregate shall be free from cemented or conglomerated lumps and shall not have any coating or injurious material. The percentage of deleterious substances shall not exceed the following values:

<u>Item</u>	<u>Percent by Weight</u>
Clay lumps and shale	1.0
Total lightweight particles, including coal and lignite	0.5
Other deleterious substances	0.1

Lightweight sand particles are not considered deleterious lightweight particles. The total lightweight particles requirement shall not apply to wet bottom boiler slag, angular chert sand, or manufactured sand.

228.3.2. Fine Aggregate Angularity. When, in accordance with AASHTO T 304 Method A, aggregate particles passing the number 8 sieve shall meet the following criteria for the minimum percent air voids in loosely compacted fine aggregate. Fine aggregate angularity is measured on fine portion of the blended aggregate.

<u>Design Level</u>	<u>Mixture Depth from Surface</u>	
	<u>≤4 inches</u>	<u>> 4 inches</u>
F	-	-
E	40	40
C	45	40
B	45	45

228.3.3. Fine aggregates manufactured by the mechanical reduction of sound durable rock shall be manufactured from ledges that meet the same soundness requirements as for the coarse aggregate.

228.3.4. Clay Content. When tested in accordance with AASHTO T 176, aggregate particles passing the number 4 sieve shall meet the following sand equivalent criteria:

<u>Design Level</u>	<u>Sand Equivalent Minimum, Percent</u>
E, F	40
C	45
B	50

228.4. Mineral Filler. Mineral filler shall consist of limestone dust, Portland cement, or other suitable mineral matter. It shall be thoroughly dry and free of lumps consisting of aggregations of fine particles. When tested by means of laboratory sieves in accordance with AASHTO T 37, the mineral filler shall conform to the following requirements:

<u>Sieve Size</u>	<u>Percent Passing By Weight</u>
Number 30	100
Number 50	95 - 100
Number 100	90 - 100
Number 200	70 - 100

228.5. Hydrated Lime. Hydrated lime shall be thoroughly dry and free of lumps. Hydrated lime produced from limestone shall comply with ASTM C 206, Type N or S. Hydrated lime produced from dolomite shall comply with ASTM C 206, Type S. The plasticity requirements of ASTM shall not apply to either Type N or S, and the gradation shall be determined in accordance with AASHTO T 37.

228.6. Liquid Anti-Strip Additives. Liquid anti-strip additives shall not be detrimental to the bituminous mixture. Anti-strip additives shall meet the following requirements or be approved by the Missouri Department of Transportation.

228.6.1. Physical Properties. Amine-type liquid anti-strip additives that are physically mixed with the asphalt binder will be classified as Type I. Latex-type liquid anti-strip

additives that are applied to the aggregate will be classified as Type II. The following physical properties shall be determined for each type.

228.6.1.1. Type I Liquid Anti-Strip Additives.

Test	Test Method
Specific Gravity at 77°F	AASHTO T 228
Brookfield Viscosity 77°F using an RVT viscometer. The report shall include the corresponding test temperature, speed, spindle and model of instrument.	ASTM D2196
Pensky-Martens Closed Cup Flash Point or Cleveland Open Cup Flash Point	ASTM D93 AASHTO T 48
Infrared Spectrum (neat material)	Appropriate Method

228.6.1.2. Type II Liquid Anti-Strip Additives.

Test	Test Method
Weight Per Gallon at 77°F	ASTM D1475
Brookfield Viscosity 77°F using an RVT viscometer. The report shall include the corresponding test temperature, speed, spindle and model of instrument.	ASTM D2196
pH	Appropriate Method
Percent Solids	ASTM D1644
Method A Infrared Spectrum (latex portion)	Appropriate Method

228.6.2. Heat Stability. The additive shall be stable and shall not separate under all manufacturer listed storage and use temperatures. When Type I or Type II additives are blended with the proposed bituminous material to be used at the anticipated application rate, the blended material shall still meet all bituminous material specifications and shall be heat stable. Heat stability shall be established by comparing AASHTO T 283 specimens made by preparing three conditioned specimens using aged, blended material that has been held at 325°F for 96 hours and three conditioned specimens using fresh blended material.

The average tensile strength of conditioned specimens using aged material shall be compared with conditioned specimens made with fresh blended material. If the average conditioned strength of the mixture with aged material is less than 90 percent of the mixture with fresh blended material, the anti-strip additive will not be permitted for use. This requirement will also apply if tested on any specific mix design using the approved anti-strip additive.

228.6.3. Unconditioned Strength. The anti-strip additive shall not significantly lower the unconditioned strength of AASHTO T 283 specimens. This shall be determined by preparing an additional six unconditioned specimens, three with and three without the liquid anti-strip additive. The average tensile strengths of unconditioned specimens shall be compared with specimens with and without the liquid anti-strip additive. If the average unconditioned strength

of the mixture with the additive is less than 90 percent of the mixture without the additive, the anti-strip additive will not be permitted for use in that bituminous mixture.

228.6.4. Documentation. The manufacturer shall submit a certification and guarantee to Engineer prior to initial approval showing the brand name and designation, the composition or description of the anti-strip liquid, and the manner in which the material will be identified on the containers. The manufacturer shall certify that the material is in accordance with this specification and shall list typical values of current tests for the properties listed in Section 228.6.1. A copy of the bituminous mix design used to test for heat stability and unconditioned strength shall be included with the test results. The certified test report shall show the manufacturer's name, brand name of material, lot and date tested.

228.6.5. Packaging and Marking. The containers in which anti-strip liquids are delivered shall be plainly marked with the manufacturer's name, the brand name and designation of the material, lot number and net quantity. Bulk shipments shall be accompanied by a delivery ticket showing this information.

SECTION 229

SUPERIOR PERFORMING ASPHALTIC PAVEMENT (SUPERPAVE)

229.1. Description. This work shall consist of providing a Superpave asphaltic concrete mixture (Type SP95, Type SP125, Type SP125LP, Type SP125LS or Type SP190) to be placed in one (1) or more courses on a prepared base or underlying course in conformance with the lines, grades, thicknesses, and typical cross sections shown on the plans, or established by the Engineer.

229.1.1. Superpave asphaltic concrete mixtures are dense, graded asphaltic concrete mixtures compacted in the Laboratory with a Superpave Gyrotory Compactor. The materials laboratory shall be an independent testing laboratory. The gyrotory compactor shall meet the requirements of AASHTO T312. The Contractor shall be responsible for QC (Quality Control) of the bituminous mixture, including the design, and control of the quality of the material incorporated into the project.

229.1.2. Nomenclature of Superpave (SP) Asphaltic Concrete Mixtures. The nomenclature of Superpave (SP) asphaltic concrete mixture is as follows:

The design traffic level of the project is expressed in 18,000 lb. Equivalent Single Axle Loads or ESALs. For convenience, the aggregate size is shown, e.g. SP125. The 125 represents the 12.5 mm (1/2") nominal maximum aggregate size. The next information shall be the binder performance grade (PG), e.g. SP125 (76-22). The "76" represents the design high and "-22" the design low temperature in degrees Celsius and would be read "PG 76 minus 22". The base Performance Grade binder is a PG 64-22. For slow moving design loads, 12 to 45 Miles per hour, or for design traffic between 10 million and 30 million ESALs, the binder selection shall be one temperature grade higher to a PG 70-22. For standing design loads, less than 12 Miles per hour, or for design traffic exceeding 30 million ESALs, the binder selection shall be two temperature grades higher to a PG 76-22. Following the binder grade will be a letter that represents the 20-year Design Traffic ESALs, e.g. SP125 (PG 76-22) E. The E corresponds to a Design Traffic Level of \square 3,000,000 ESALs.

229.1.3. The following cumulative ESALs shall be utilized for the specified Superpave mixture design:

<u>Design Level</u>	<u>Design Traffic (ESALs)</u>
F	<300,000
E	300,000 to <3,000,000
C	3,000,000 to <30,000,000
B	\geq 30,000,000

229.2. Materials. All materials shall conform to Section 228 – Superior Performing Pavement (Superpave) Materials.

<u>Item</u>	<u>Section</u>
Asphalt Cement (PG Grade)	228.1
Coarse Aggregate	228.2
Fine Aggregate	228.3
Mineral Filler	228.4
Hydrated Lime	228.5
Anti-Strip Additive	228.6

The grade of asphalt cement will be specified in the Contract.

229.3. Composition of Mixtures.

229.3.1. Prior to mixing with asphalt cement, the total aggregate, including the filler if needed, shall meet the following gradation for the type of mixture specified in the Contract. Maximum size is defined as one (1) sieve size larger than the nominal size. Nominal size is defined as one (1) sieve larger than the first sieve to retain more than 10 percent by weight.

229.3.1.1. A job mix formula may be approved which permits the combined aggregate gradation to be outside the limits of the master range when the full tolerances specified herein are applied.

<u>Percent Passing by Mass</u>			
<u>Mixture</u>	<u>SP190</u> 3/4 in. (19.0 mm)	<u>SP125</u> 1/2 in. (12.5 mm)	<u>SP95</u> 3/8" (9.5 mm)
<u>Sieve</u> <u>Size</u>	<u>(Nom. Max. Size)</u>	<u>(Nom. Max. Size)</u>	<u>(Nom. Max. Size)</u>
1 in.	100	---	---
3/4 in.	90-100	100	---
1/2 in.	90 max.	90-100	100
3/8 in.	---	90 max.	90-100
No. 4	---	---	90 max.
No. 8	23-49	28-58	30-60
No. 200	2-8	2-10	2-10

229.3.1.2. Anti-Strip Agent. An anti-strip will be allowed by the Engineer to improve resistance to stripping.

229.4. Job Mix Formulas. At least 30 days prior to placing any mixture on the project, the Contractor shall submit a mix design for approval to the Engineer. The mixture shall be designed in accordance with AASHTO R-35 and shall be tested in accordance with AASHTO T 312 except as noted herein. A detailed description of the mix design process shall be included with the job mix formula (JMF). The Engineer may request representative samples of each ingredient for the mixture be submitted with the mix design.

229.4.1. Required Information. When a mix design is designated for a specific project, the Project Name, City Project Number and Federal Job Number (if applicable) on which the mixture will be used shall be specified. All mix designs shall contain the following information:

1. Source, grade, and specific gravity of asphalt binder.
2. Source, type (formation, etc.), ledge number, if applicable, and gradation of the mineral aggregates. The gradation of the component materials shall be representative of the material at the time of use.
3. Bulk and apparent specific gravities and absorption of each aggregate fraction in accordance with AASHTO T 85 for coarse aggregates and AASHTO T 84 for fine aggregates.
4. Specific gravity of hydrated lime or mineral filler, if used, in accordance with AASHTO T 100.
5. Percentage of each aggregate component.
6. Combined gradation of the job mixture.
7. Percent asphalt binder, by mass, based on the total mix intended to be incorporated in the completed mixture, shown to the nearest 0.1%.
8. Bulk specific gravity (G_{mb}), by AASHTO T 166 Method A, of a laboratory compacted mixture compacted N_{design} gyrations.
9. Percent air voids (V_a) of the laboratory compacted specimen compacted to N_{design} gyrations.
10. Voids in the mineral aggregate (VMA) and voids in the mineral aggregate filled with asphalt binder (VFA) at N_{design} gyrations.
11. Theoretical maximum specific gravity (G_{mm}) as determined by AASHTO T 209 after the sample has been short term aged in accordance with Section 229.5.3.
12. The tensile strength ratio as determined by AASHTO T 283 including all raw data.
13. The gyratory sample weight (mass) to produce a 115 mm minimum height specimen.
14. Mixing temperature and gyratory molding temperature.
15. The Design Traffic Level and Number of gyrations $N_{initial}$, N_{design} , & $N_{maximum}$.
16. Dust proportion ratio (No. 200 / Effective asphalt binder (P_{be})).
17. Bulk specific gravity (G_{sb}) of the combined aggregate.
18. Percent chert contained in each aggregate fraction.
19. Percent of Theoretical maximum specific gravity (G_{mm}) at $N_{initial}$, & $N_{maximum}$.
20. Blended aggregate properties for clay content and angularity.
21. Baghouse fines added for design.
 - a. Batch and continuous mix plants – Indicate which aggregate fraction to add baghouse percentage during production.
 - b. Drum mix plants – Provide cold feed settings with and without baghouse percentage

229.4.1.2. Approval. No mixture will be accepted for use until the job mix formula for the project is approved by the Engineer

229.4.1.3. The job mix formula shall be within the master range specified for the particular type of asphaltic concrete, and shall include the type and sources of all materials, the gradations of the aggregates, the relative quantity of each ingredient, and shall state a definite percentage for each sieve fraction of aggregate for asphalt cement.

229.4.1.4. Job Mix Formula Modification. The job mix formula approved for each mixture shall be in effect until modified in writing by the Engineer. When unsatisfactory results or other conditions occur, or a source of material has been changed, a new job mix formula may be required.

229.5. Mixture Testing Procedures.

229.5.1. Superpave asphaltic concrete mixtures shall be tested by an approved independent testing laboratory in accordance with AASHTO T 312, Standard Method for Preparing and Determining the Density of Hot Mix Asphalt (HMA) Specimens by Means of SHRP Gyrotory Compactor. All costs for testing shall be borne by the Contractor and included in the unit price.

229.5.2. SP mix design shall follow the procedures defined in AASHTO R-35, except as follows:

229.5.2.1. Once the optimum asphalt content of the mixture has been determined, a minimum of two specimens shall be prepared at the optimum asphalt content and compacted to the respective N_{maximum} values. The average specimen density shall then be calculated, compared against the requirement at N_{maximum} and furnished with the job mix data for informational purposes only.

229.5.3. Compaction temperature for Modified Binders will be furnished by the supplier. Compaction temperature for unmodified Binders will be determined where the unaged Binder has a Kinematic Viscosity of $0.28 \pm 0.03 \text{ mm}^2/\text{Section Pa-s}$ measured in accordance with ASTM D 4402.

229.5.4. The Contractor is advised that SP mix design will require gradation design, asphalt binder content design, moisture susceptibility testing, and nuclear gauge or ignition oven calibration. It may also require testing of the blended aggregate once the mixture design is completed.

229.6. Compaction Criteria.

229.6.1. The number (N) of gyrations required for gyrotory compaction shall be as follows:

Design Level	Gyrations		
	N _{Initial}	N _{Design}	N _{Maximum}
F		50	
E	7	75	115
C	8	80-100	160
B	9	125	205

229.6.2. When compacted in accordance with AASHTO T-312, the mixture shall meet the following criteria:

229.6.2.1. Air Voids (V_a).

<u>Design Level</u>	<u>Design Air Voids (Percent)</u>
All levels.....	4.0

229.6.2.2. Voids in the Mineral Aggregate (VMA).

<u>Mixture</u>	<u>VMA Minimum (Percent)</u>
SP190.....	13.0
SP125.....	14.0
SP95.....	15.0

229.6.2.3. Voids Filled With Asphalt (VFA).

<u>Design Level</u>	<u>VFA (Percent)</u>
F	70-80
E	65-78
B, C	65-75

<u>Required Density (Percent of Theoretical Maximum Specific Gravity)</u>			
<u>Design Level</u>	<u>Less than</u> N _{initial}	<u>Equal to</u> N _{design}	<u>Less than</u> N _{maximum}
F	91.5	All levels 96.0	All levels 98.0
E	90.5		
B, C	89.0		

Final in-place density shall be 94.5% ±2.5%. SMA mixes shall have a minimum in-place final density of 94.0%,

229.7. Other Criteria.

229.7.1. Dust to Binder Ratio. The ratio of the aggregate passing the No. 200 to effective asphalt binder (P_{be}) content shall be between 0.8 and 1.2 for aggregate gradations that pass above the boundaries of the restricted zone specified in Section 229.3. Aggregate

gradations that pass below the boundaries of the restricted zone shall have a ratio of the aggregate passing the No. 200 sieve to effective asphalt binder (P_{be}) content between 0.6 and 1.6.

229.7.2. Tensile Strength Ratio. The mixture shall have a tensile strength ratio (TSR) greater than 80 percent when tested in accordance with AASHTO T 283. Specimens for AASHTO T 283 shall be 6 inches in diameter and be compacted to a 3-3/4" height with $7 \pm 0.5\%$ air voids. If the strength ratio is less than 80%, remedial action, such as the use of anti-strip agents, is required to improve the moisture susceptibility of the mix. When remedial agents are used to modify the asphalt binder, retest the mix to assure compliance with a minimum TSR greater than 80%.

229.7.3. Blended Aggregate. The blended aggregate shall meet the grading for the specified SP mixture.

229.7.3.3. For Superpave mixtures, Recycled Asphaltic Pavement (RAP) and Recycled Asphalt Shingles (RAS) will be used in accordance with Section 221.4

229.7.3.4. Crushed gravel shall not exceed 20% by weight of the plus No. 8 mineral aggregate.

229.7.4. If difficulty is experienced in obtaining a satisfactory mixture with the aggregate combinations submitted, the Contractor will be advised and new types or sources of materials may be required by the Engineer. Additional aggregate, other than local stone or sand, may be required in order to modify the mixture for compliance.

229.7.5. The total aggregate for Asphaltic Concrete mixtures shall contain not less than 85% crushed material. Natural fine aggregate shall be limited to a maximum of 15% of the total aggregate in Asphaltic Concrete mixtures. The Engineer will adjust quantities of the various components of the mixture as necessary to obtain the required characteristics of the mixture.

229.8. Gradation Control.

229.8.1. In producing mixtures for the project, the plant shall be operated so that no intentional deviations from the job-mix formula are made. Mixtures as produced shall be subject to the following tolerances and controls:

1. The percent passing the first sieve size smaller than the nominal maximum size shall not exceed 92.0 percent,
2. The maximum variation from the approved job-mix formula shall be within the following tolerances:

<u>Sieve</u> (Percent Passing by Mass)	<u>Max. Tolerance, Percent</u>
No. 8	2.0
No. 200	Range of Table in Sec 229.3.1.1.

3. The quantity of asphalt cement introduced into the mixer shall be that quantity specified in the job-mix formula. No change may be made in the quantity of asphalt cement specified in the job-mix formula without written approval of the Engineer. The quantity of asphalt cement determined by calculation or tests on the final mixture shall not vary more than ± 0.3 percentage point from the approved job-mix formula.
4. One of the aggregate bin sizes produced by the screening unit shall contain not more than 15% by weight retained on the No.8 sieve.

229.8.1.1. The gradation of the aggregates will be determined from samples taken from the hot bins on batch-type plants or from the composite cold feed belt on drum mix plants.

229.8.2. Preparation of Mixture. The asphalt cement shall be carefully heated, without damage by overheating, to a workable temperature as designated by the Engineer within the range established by Section 228. If asphalt is measured by volume, the temperature of the asphalt at the time of measuring shall not vary more than 15°F from that designated by the Engineer when the metering device was calibrated. The final mixture shall not exceed 350°F when discharged from the pug mill, and shall not vary more than 25°F from the temperature designated by the Engineer. The final mixture shall not be crusted over, contain lumps, or be contaminated with deleterious agents such as unburned fuel, objectionable fuel residue, or any other material not inherent to the job-mix formula. In cases of rejected material, the entire load shall be rejected.

229.8.3. The asphaltic concrete mixture, when sampled immediately behind the paver and tested in accordance with AASHTO Test Method T 110, shall not contain more than 0.5% moisture by weight of the mixture.

229.9. Recompacted Mixture. When the produced mixture is recompacted using the Superpave Gyratory Compactor, the mixture shall meet the following criteria:

229.9.1. Voids in the Mineral Aggregate. The Voids in the Mineral Aggregate (VMA) shall be within -0.5 and $+2.0\%$ of the minimum required for each type of mixture N_{design} gyrations. The VMA will be determined using the field determined bulk specific gravity's (AASHTO T 166) of the two Superpave gyratory compacted specimens, the field calculated percent aggregate, the job mix formula aggregate bulk specific gravity and the field measured percent asphalt as determined by one of the following methods: AASHTO T 287 Nuclear gauge method; AASHTO T 164 Quantitative Extraction of Bitumen from Bituminous Paving Mixtures; or by AASHTO T 308 Method A-Standard Test Method for Determining Asphalt Content of Hot Mix by the Ignition Method.

229.9.2. Air Voids. The air voids (V_a) shall be within $\pm 1.0\%$ of the approved job mix formula at N_{design} gyrations. The air voids will be calculated from the field determined maximum specific gravity's (AASHTO T 209) and the field determined bulk specific gravity's (AASHTO T 166).

229.9.3. Adjustments to N_{initial} and N_{maximum} shall be made as N_{design} changes. As the air voids (V_a) percentage increases above 4%, the difference should be deducted from both N_{initial} and N_{maximum} . When the air voids (V_a) percentage decreases below 4%, the difference should be added to both N_{initial} and N_{maximum} .

229.9.4. On each follow-up field test, two specimens will be compacted to N_{design} .

229.9.5. Should any of the mixture properties specified in Section 229.8, 229.9, or 229.17.4 be found to be outside of the prescribed tolerances, a second test shall be run immediately. Should the second test confirm the findings of the initial test, production of the asphaltic concrete mixture will be suspended until adjustments are made and passing test results have been achieved. Repeated instances of non-conformance may result in suspension of production and redesign of the asphaltic concrete mixture.

229.10. Field Adjustments of Job Mix Formulas.

229.10.1. When test results indicate the mixture produced does not meet the specification requirements the Contractor may field adjust the job mix formula as noted herein. Field adjustments may consist of changing the percentages of the aggregate fractions as listed on the approved job mix formula by no greater than a total of 5.0% and changing the percent binder as listed on the approved job mix by 0.3%. Additional fractions of materials or new materials will not be permitted as field adjustments. The Engineer shall be notified immediately when any change is made in the cold feed settings, the hot bin settings, and/or the binder content. When the aggregate percentages are adjusted by more than a total of 5.0% and/or the binder content is adjusted more than 0.3%, a new mix design shall be established.

229.10.2. When a field adjustment is allowed, the Contractor will be permitted to place not more than 750 tons of mixture, once the adjustment is made, to establish new volumetric properties of the mixture and to verify the mixture meets the specification requirements of Section 229.6.2. The field adjusted job mix formula combined gradation and combined aggregate bulk specific gravity (G_{sb}) shall be calculated accordingly to reflect any change in the percentages of the aggregate fractions. The maximum theoretical specific gravity of the mixture (G_{mm}), the bulk specific gravity of the compacted specimens at N_{design} (G_{mb}), the VMA, the percent filled (VFA), the dust proportioning ($-200/P_{\text{bc}}$), and the percent asphalt binder targets will be established by sampling the material from the roadway after 100 tons have been produced.

229.10.3. A minimum of two (2) specimens will be compacted to N_{design} gyrations. The maximum theoretical specific gravity of the mix, percent asphalt binder of the mix and the cold feed gradations shall be determined. The volumetrics of the field adjusted mix shall be calculated from these test results. The average values of the volumetrics from the N_{design} gyratory compacted specimens will be used to establish the new volumetric targets of the mix.

229.10.4. The new volumetric targets of the mix shall be in compliance with all of the Superpave mix design requirements of Section 229.6.2. Mixture not meeting the

specification requirements shall be removed from the roadway at the Contractor's expense. After this procedure has established the field adjusted job mix formula that complies with Section 229.6.2 requirements, the Contractor may continue paving operations using the field adjusted job mix formula.

229.10.5. To keep accurate records, the original job mix formula will be labeled with a revision number consecutively numbered beginning with (R1) behind the last digit of the job mix formula number to signify that the job mix formula has been field adjusted.

229.10.6. Supporting data justifying the need and type of field adjustment shall be submitted to the Engineer. The Engineer will approve all field adjustments. The Contractor must notify the Engineer in writing of the adjustments made, new target values and any other information required for evaluation of the revised mix.

229.10.7. The Contractor shall submit the field adjusted job mix formula to the Engineer in writing within 24 hours.

229.10.8. Field Mix Redesign. When a new mix design is required, the Contractor will be permitted to establish the new mix design in the field. The mix shall be designed in accordance with Section 229.5 and shall meet the Superpave mix design requirements of Section 229.6 and 229.7. A representative sample of the mix shall be submitted with the new mix design to the Materials Laboratory for mixture verification. The amount of mix submitted for verification shall weigh at least 50 lb.

229.10.8.1. New mix designs established in the field will be approved by the Materials Laboratory. To keep records straight, the Materials Laboratory will assign a new mix number to the mixture.

229.10.8.2. No mix is to be placed on the project until the new field mix design is approved.

229.11. Test Strips.

229.11.1. Description. This work shall consist of constructing a test strip of Superpave asphaltic concrete pavement to determine the volumetric properties of the mixture and the compactive effort necessary to provide the specified density.

229.11.2. Construction Requirements. Test sections shall be constructed after approval of a job-mix formula and calibration of the hot mix asphalt (HMA) plant. Prime or tack coat, if specified, shall be applied to the roadbed section followed by the placement of no more than 400 tons of approved mix in a single lane within the project limits. The paver and rollers to be used on the project shall be used to put down the test strip. Separate test strips shall be provided for each mix design using the thickness specified on the typical section. Test strips for subsequent lifts, which incorporate a new mix design may, at the Contractor's option, be placed after completion of the previous lift.

229.11.2.1. Density will be determined in accordance with Section 229.20 of the standard specifications. If necessary, additional test strips shall be constructed until a rolling

pattern has been established which will provide the specified density. A new test strip shall also be required whenever a change in the job-mix formula occurs, the compaction method or the compaction equipment is changed or unacceptable results occur. Test strips, which do not have the specified density, shall be removed as directed by the Engineer. No additional mix shall be laid until a rolling pattern, acceptable to the Engineer, has been established on a test strip.

229.11.2.2. Volumetric properties will be determined in accordance with Section 229.9 of the standard specifications. If necessary, additional test strips shall be constructed until the acceptable voids, voids in mineral aggregate (VMA) and void filled with asphalt (VFA) have been met. A new test strip shall also be required whenever a change in the job-mix formula occurs or unacceptable results occur.

229.11.3. Full production shall not start until an acceptable test strip meeting density, gradation, percent asphalt binder, and the volumetric requirements of the Contract has been obtained.

229.11.4. Test strips which do not meet specification requirements for density, air voids and voids in mineral aggregate shall be removed. The Engineer may determine that the above failed test strip be accepted in-place with no payment.

229.11.5. Accepted test strips meeting density and gradation requirements for the asphaltic mix will be paid for at the Contract unit price per test strip. No payment will be made for test strips required as a result of a Contractor initiated change in job mix formula, compaction method, compaction equipment, or if unacceptable results occur as determined by the Engineer.

229.11.6. No more than two (2) test strips per design job mix formula or field adjustment shall be made. Upon failure of the second test strip to meet specification requirements for density, air voids and voids in mineral aggregate, field and plant operations shall cease. The Contractor shall submit in writing, to the Engineer, the following request for additional testing strips that includes the following:

1. Reason(s) why the two (2) test strips failed that indicate either plant, mix design, material or field related reasons.
2. Corrective action by the Contractor that will prove any future mix successful that is placed as a test strip.
3. The requested re-start date and time that provides the department at least 24 hour notification of continued field and plant operations if this request is approved by the Engineer.

229.11.7. Basis of Payment. The materials in test strips approved by the Engineer will be paid for at the unit price bid for those materials as provided in the Contract. Unit price per test strip should be the cost above and beyond the unit bid price of the in-place material. All materials in unacceptable test strips removed by the Contractor shall become the property of the Contractor and will be disposed of by the Contractor at his expense.

229.12. Equipment.

229.12.1. Plant Calibration. Personnel, scales, and equipment necessary for calibrating the plant and for verifying the accuracy of proportions shall be furnished by the Contractor and shall be available at all times. If batch-type plants are used, the equipment shall include standard 50 lb. test weights equal to 20% of the net load capacity of the scales, to the nearest 50 lb. increment. However, not more than twenty 50 lb. weights will be required. Calibration by an approved commercial scale service will be required for batch-type plants, which have large capacity scales greater than 10,000 lb. or if scales do not meet calibration tolerances. If continuous mixing or drum-mix plants are used, scales conforming to the requirements of 229.12.1.1 shall be provided. Weights shall be calibrated by the governing state body of weights and measures in accordance to the requirements established by the U.S. Department of Agriculture. All equipment shall be calibrated by the Contractor in the presence of and subject to the approval of the Engineer. Plants shall be calibrated at least once each year, or as directed. Plant certification for calibration and verification will not be required, provided that this certification has been furnished to the State within a twelve (12) month period prior to the time certification is required by the City. A letter of certification to verify this will be required. This does not preclude interim checks by City forces.

229.12.1.1. Vehicle Scales. Vehicle scales shall be approved by the Engineer and shall conform to the requirements specified herein.

229.12.1.1.1. Basis of Acceptance. Scale acceptance shall be based on one of the following:

1. A valid certification or seal of approval by the Missouri Department of Agriculture, Division of Weights and Measures.
2. A valid certification or seal of approval by a State of Missouri duly appointed Sealer of Weights and Measures in cities or counties of 75,000 population or more.
3. Certification of calibration from a commercial scale service company showing that the scale meets the requirements of these specifications. The Contractor shall furnish the certification of calibration to the Engineer.
4. Calibration from zero weight through the maximum load to be applied by the application of standard weights in the presence of the Engineer by the Contractor's personnel. In lieu of starting the calibration at zero weight, the standard weights may be applied to an unloaded truck, the weight of which has been determined on a certified scale and the calibration continued through the maximum load to be applied. Regardless of the form of acceptance, the calibration shall be within the accuracy requirements specified below and the scales shall meet all requirements of these specifications.

229.12.1.1.2. Scale Calibration. Scales shall have been calibrated within the 12-month period immediately prior to any material being delivered or any time the Engineer has cause to question the accuracy of the scale. Scales shall be accurate within 0.4% of the net load applied regardless of the location of the load on the platform. The value of the smallest unit of graduation on a scale shall be not greater than 20 lb. Sensitivity requirements of scales not equipped with balance indicators shall be twice the value of the minimum graduated interval on the weigh beam, or 0.1% of the nominal capacity of the scale, whichever is less. For scales

equipped with balance indicators, the sensitivity requirement shall be the value of the minimum graduated interval on the weigh beam.

229.12.1.1.3. Verification of a vehicle scale may be required by the weighing of a hauling unit on another recently calibrated and certified scale.

229.12.1.1.4. If equipment to be weighed is of such length that all axles cannot be weighed simultaneously, a level area of concrete or bituminous pavement shall be provided permitting those axles not on the scale platform to be on the pavement during the weighing operation. The approach shall be at least as wide as the platform and of sufficient length to ensure the level positioning of vehicles during weight determinations. The weighing shall be performed with all brakes released. If equipment to be weighed is equipped with an air bag suspension unit on any axle, the equipment including semi-trailers or pup trailers shall be weighed on vehicle scales of sufficient size to weigh all axles of the combination simultaneously.

229.12.1.1.5. All costs incurred in obtaining a certification of calibration or verification shall be borne by the Contractor.

229.12.2. Equipment for Preparation of Asphalt Cement. An asphalt cement storage tank shall be provided at the proportioning and mixing plant. If more than one storage tank is used to deliver asphalt cement to the proportioning unit, piping and valve arrangements shall permit material to be used from any one of the tanks without using from another at the same time.

229.12.2.1. Tanks for storage of asphalt shall be equipped for heating the material, under effective and positive control at all times, to the temperature requirements set forth in Section 228. Heating shall be by steam or oil coils, electricity, or other means such that no flame shall come in contact with the heating tank.

229.12.2.2. A circulating system of adequate capacity shall provide proper and continuous circulation of the asphalt between storage tank and proportioning units during the entire operating period. The discharge end of the circulating pipe shall be maintained below the surface of the asphalt in the storage tank to prevent discharging into the open air. All pipe lines and fittings shall be steam or oil-jacketed or otherwise properly insulated to prevent heat loss.

229.12.2.3. The Contractor shall provide in the asphalt feed lines connecting the plant storage tanks to the weighing system or spray bar a sampling outlet, consisting of a valve installed in such a manner that samples may be withdrawn slowly at any time during plant operation. The sampling outlet shall be installed between the pump and the return line discharge in such location that it is readily accessible. A drainage receptacle shall be provided for flushing the outlet prior to sampling.

229.12.3. Feeder for Drier. The plant shall be provided with an accurate mechanical means for uniformly feeding the aggregates into the drier to provide uniform production and temperature. A synchronized method of proportioning the aggregates at the cold feeder shall be provided.

229.12.4. Drier. A drier of any satisfactory design for drying and heating the aggregate shall be provided. The drier shall be capable of drying and heating the aggregate to a temperature within the limits of the range specified in Section 228 for the grade of asphalt binder used, without leaving any visible unburned oil or objectionable carbon residue on the aggregate. The maximum temperature specified above for mineral aggregate fractions may be increased as necessary in recycled mix to obtain the specified temperature of the recycled mixture at the time of placement. Absorbed moisture in the aggregate shall be reduced to such a quantity that there is no objectionable segregation of asphalt resulting from escaping water vapor in the prepared mixture.

229.12.5. Screens. Plant screens shall have adequate capacity and size range to separate properly all of the aggregate into the sizes required for proportioning, so that they may be recombined consistently within the limits specified in Section 229.8. The screening unit shall separate the usable heated aggregate into at least three sizes.

229.12.6. Bins. The plant shall have hot bin storage of sufficient capacity to ensure uniform and continuous operation. Bins shall be divided into compartments arranged to ensure separate and adequate storage of appropriate fractions of the aggregate. Each compartment shall be provided with an overflow pipe of such size and at such locations as to prevent any backing up of material into other bins or into contact with the screen. The bins shall have a tailing pipe for rejections. The discharge points of overflow and tailing pipes shall be located so they will not create a hazard. Overflow pipes shall not return the material directly to the hot elevator.

229.12.6.1. If mineral filler or hydrated lime is required, adequate dry storage shall be provided, and provisions shall be made for accurate proportioning.

229.12.6.2. Surge Bins. Surge bins may be used in the production of bituminous mixtures, if approved by the Engineer. They shall be equipped with batchers, so located that the mixture is discharged vertically into the center of the bin. Surge bins, except those rated at 75 tons or less, shall be covered and insulated. They shall be equipped with heating devices, if necessary, to maintain the temperature of the mixture in accordance with the requirements in Section 229.16. Bins shall be equipped with automatic lights to indicate when the surface of the mixture has been drawn down to the top of the sloped portion of the bin. Mixture shall be transferred from the mixing plant to the surge bins by covered drag slat conveyors, skip hoists, or other methods approved by the Engineer. Mixture shall not be withdrawn below the level of the top of the sloped portion of the bin except at the end of each day's operation. Mixture, which the Engineer determines visually to be segregated, will be rejected. Material which is produced without inspection by the Engineer will be rejected. Mixture shall not be stored more than eight (8) hours.

229.12.7. Asphalt Control Unit. Satisfactory means, either by weighing or metering, shall be provided to obtain the proper quantity of asphalt. Metering pumps for asphalt shall deliver accurately to within plus or minus 2.0% of the required quantity when tested for accuracy. Asphalt scales shall conform to the requirement of Section 229.12.11.4. Where the quantity of asphalt is controlled by metering, provision shall be made whereby the delivery of the meter may be readily checked by actual weight.

229.12.7.1. If a continuous mixing plant is used, a continuously registering measurement meter and a pressure gauge shall be installed in the asphalt line at locations meeting the approval of the Engineer. The meter shall be cumulative with a nonsetback register, and have an accuracy within 2% by weight of the material actually being measured in any given period of time. The meter register shall indicate the quantity measured to the nearest 0.25 gal. or less. The pressure gauge shall have a range capable of registering all spraying pressures during plant operation and the dial shall have increments of not more than 1.0 psi. The meter and the pressure gauge shall be so located in the asphalt line that the meter will continuously register the asphalt discharge and the gauge will continuously register the discharge or spraying pressure, and also so that the discharge through both the meter and the gauge can be readily diverted to a container for measurement. During calibration and verification of the asphalt metering pump and the measurement meter, the discharge pressure shall be controlled by a valve or reduction unit to duplicate the plant's spraying pressure. The accuracy of the measurement meter shall be verified at periodic intervals as designated by the Engineer. In case of meter malfunction, plant operation will not be permitted beyond 24 hours after detection except by written approval of the Engineer.

229.12.8. Thermometric Equipment. A thermometer of suitable range shall be fixed in the asphalt feed line at a suitable location near the discharge at the mixer unit. An accurate registering pyrometer or other approved thermometric instrument shall be installed in the discharge chute of the drier in such manner that the temperature of the heated aggregate is automatically registered. This instrument shall be located where it is in clear view of the drier fireman and readily accessible to the inspector.

229.12.8.1. The plant shall be further equipped with approved recording thermometers, pyrometers, or other recording thermometric instruments placed in two of the hot aggregate bins to register and record automatically the temperature of the heated aggregate. One terminal shall be placed in the hot bin containing the smallest aggregate used in the mix and the other terminal shall be placed in the bin containing the largest aggregate. The terminals shall be located where the hot material will flow around them during the proportioning operation and shall not be located near the corners of the bins or at points where the material will collect or pack around them. The charts shall continuously record both time and temperature. The smallest interval of time shown shall be not more than 15 minutes and the temperature graduations shall be not more than 10°F. The charts shall be furnished to the Engineer at the end of each day's operations.

229.12.9. Control of Mixing Time. The plant shall be equipped with positive means to maintain a constant mixing time.

229.12.9.1. Batch Type Plants. The dry hot virgin aggregates, hydrated lime, RAP or RAS, mineral filler if needed, and asphalt cement shall be accurately proportioned in the quantities required by the job-mix formula. Aggregate shall be charged into the weigh hopper in a sequence that will avoid segregation. The mineral aggregate, RAP or RAS if needed, shall be mixed dry for not less than 15 seconds. For SP190 mixtures the dry mixing time may be reduced to 10 seconds. The dry mixing period shall start when all of the mineral aggregates have been charged into the mixer and end when introduction of the asphalt cement begins. After dry mixing, the asphalt cement shall be charged into the mixer in a manner that will uniformly distribute the asphalt over at least 3/4 the full length of the mixer. The time required to add the

asphalt shall not exceed 15 seconds. Wet mixing shall begin at the introduction of the asphalt cement and continue for at least 30 seconds, or longer if necessary to produce a complete and uniform coating of the particles and a thorough distribution of the asphalt cement throughout the aggregate. The wet mixing period shall end when the discharge gate is opened. The dry and wet mixing times shall be as directed by the Engineer.

229.12.9.2. Continuous Mixing Plants. Each size of hot aggregate, mineral filler or hydrated lime if needed, and the asphaltic cement shall be accurately proportioned in the quantities required by the job-mix formula. The mixing period shall be determined in accordance with Section 229.12.12.4.(b) and shall be not less than 35 seconds. The mixing time shall be directed by the Engineer, and may be increased above the minimum specified, if necessary, to produce a complete and uniform coating of the particles and a thorough distribution of the asphalt cement throughout the aggregate.

229.12.10. Safety Requirements. A conveniently located, easily opened gate or door shall be provided in the mixer cover for observation of the mixing operations. Adequate and safe stairways to the mixer platform and sampling points shall be provided, and guarded ladders to other plant units shall be placed at all points where accessibility to plant operations is required. Accessibility to the top of truck bodies shall be provided by a platform or other suitable device to enable the Engineer to obtain samples and mixture temperature data. All gears, pulleys, chains, sprockets, and other dangerous moving parts shall be thoroughly guarded and protected. Ample and unobstructed space shall be provided in and around the truck. This area shall be kept free from drippings from the mixing platform.

229.12.11. Batching Plants.

229.12.11.1. For all contracts having not more than 10,000 tons of asphaltic concrete mixture, standard manual batching methods, approved by the Engineer, will be permitted. For contracts having more than 10,000 tons of asphaltic concrete mixture, batching plants shall be equipped to operate automatically to the extent that the only manual operation required for the proportioning of all ingredients for one batch shall be a single actuation of a switch or starter. The equipment shall include devices capable of automatically proportioning each ingredient of the mixture in the selected sequence and quantity. Interlocks shall be provided which will hold or delay the automatic batch cycling whenever the batched quantity of any ingredient is not within the specified tolerance. The weight setting and timing controls shall be suitably equipped so they may be locked when directed by the Engineer. Manual operation will not be permitted beyond twenty-four (24) hours after breakdown in the automatic equipment, except by written approval of the Engineer.

229.12.11.2. Weigh Box or Hopper. The equipment shall include a means for accurately weighing aggregate of each bin into a weigh box or hopper, suspended on scales, and ample in size to hold a full batch without hand raking or running over. Weigh boxes shall be charged through only one gate opening for aggregate of each bin size. The weigh box or hopper shall be supported on fulcrums and knife edges so constructed that they will not easily be thrown out of alignment or adjustment. Gates on the bins and the hopper shall be so constructed as to prevent leakage when they are closed.

229.12.11.3. Aggregate Scales. Scales for weighing aggregate and mineral filler or hydrated lime may be of the springless dial, or the electronic digital type and shall be of standard make and design having tolerances on overregistration and underregistration not exceeding 0.4% of the indicated weight when tested for accuracy. Each aggregate fraction shall be measured within one (1) percent of the total batch weight of the mixture. Mineral filler or hydrated lime shall be measured within 0.5% of the total batch weight of the mixture. The total weight of the batch shall be within 2.0% of the desired batch weight. The change in load required to change the position of rest of the indicating element or elements of a non-automatic indicating scale an observable amount shall not be greater than 0.1% of the nominal scale capacity. Dial scales shall be equipped with adjustable pointers for marking the weight of each material to be weighed into the batch. Graduation intervals for all scales shall not be greater than 0.1% of the nominal scale capacity. Quantity indicators necessary for batching shall be in full view of the operator.

229.12.11.3.1. Automatic volumetric batch proportioning approved by the Engineer will be permitted and shall meet the tolerances specified in Section 229.12.11.2.

229.12.11.4. Asphalt Bucket. If a bucket is used for weighing the asphalt, it shall be of sufficient capacity to hold and weigh the quantity required for a batch in a single weighing. The filling system and bucket shall be of such design, size, and shape that asphalt will not overflow, splash, or spill outside the confines of the bucket during filling and weighing. The bucket shall be steam or oil-jacketed or equipped with properly insulated electric heating units.

229.12.11.5. Asphalt Scales. Scales for weighing asphalt shall conform to the requirements for aggregate scales, as specified in Section 229.12.11.2. Bituminous material shall be measured within 0.1% of the total batch weight of the mixture. Springless dial scales used for weighing asphalt shall have a tare beam, and a dial graduated in increments not to exceed 0.1% of the nominal scale capacity, and the maximum dial capacity shall be not more than 15% of the nominal capacity of the mixer.

229.12.11.6. Mixer Unit. The plant shall include an approved twin shaft pug mill mixer capable of producing a uniform mixture. The mixer shall be electrically heated or hot oil or steam jacketed and have a capacity of not less than one metric ton (one ton) per batch. The mixer shall be so constructed as to prevent leakage of the contents, and the mixer box shall be equipped with a hood to prevent loss of dust.

1. The mixer shall be designed to provide means of adjusting the clearance between the mixer blades and liner plates to ensure proper and efficient mixing. Not more than one pair of paddle tips on each mixer shaft shall be reversed with respect to the other paddle tips on the shaft, except that for mixers having forty paddles or more, two pair may be reversed on each shaft. The reversed paddle tips shall be located in diagonally opposite corners of the pug mill. The clearance of blades from all fixed and moving parts shall not exceed 3/4".

2. The mixer shall have an accurate time lock to control the operation of a complete mixing cycle by locking the weigh box gate after the charging of the mixer until the closing for the mixer gates at the completion of the cycle; it shall lock the asphalt bucket throughout the dry mixing period and shall lock the mixer gate throughout the dry and wet mixing periods.

3. A rating plate designating the manufacturer's rated capacity shall be attached to the mixer. The quantity of mixture produced per batch shall not exceed the manufacturer's rated capacity. The manufacturer's rated capacity will not be accepted unconditionally. If the mixer does not produce a satisfactory mixture, or if its production does not coordinate with other plant units, the right is reserved to reduce the size of the batch. The decision of the Engineer as to the permissible capacity of the mixer shall be final.

229.12.12. Drum Mix Plants.

229.12.12.1. The plant shall be specifically designed for drum mixing and be capable of satisfactorily heating, drying, and mixing the bituminous mixtures. The aggregate shall enter the drum from the same end the burner is located and travel parallel to the flame and exhaust air stream. The system shall be equipped with automatic burner controls, and heating shall be controlled to prevent damage to the aggregate or the asphalt cement. The temperature of the mixture when discharged from the mixer shall be within the range specified in Section 228 for the grade of asphalt cement being used. The rate of flow through the drum shall be controlled in order that the bituminous material and aggregate shall be mixed until a homogeneous mixture with all particles uniformly coated is obtained and in no case shall the quantity of mixture produced exceed the manufacturer's rated capacity.

229.12.12.2. Each feeding orifice shall have an adjustable gate with an indicator provided to reference the opening setting. On each of the aggregate feeders, a device shall be installed to indicate when the flow of material from the bin is below the point where accurate proportioning through the feeder gates can be accomplished. These indicators shall be positive in action and shall actuate a clearly visible or audible signal to the plant operator or stop the flow of materials to the drum when the level of material in the bin is too low for accurate proportioning. In addition, for those particular cold bins whose aggregate material tends to either bridge or lump together causing temporary interruptions in feeds, a vibrator or other suitable means shall be provided to ensure uniform flow. The order of aggregate feed onto the composite cold feed belt shall be from coarse to fine. When only one aggregate is furnished, two cold bins shall be used. A scalping screen mounted independent of other proportioning or weighing equipment shall be required if directed by the Engineer.

229.12.12.3. Asphalt cement shall be introduced through a continuously registering cumulative indicating meter by a pump specifically designed for dryer-drum plants. The meter shall be located in the asphalt line so that it will continuously register the asphalt discharge to the mixer and so that the discharge through the meter can be readily diverted into a container for measurement. The meter shall be equipped with a nonsetback register and shall have accuracy within 2% by weight of the material actually being measured in any given period of time. The accuracy of the pump and meter shall be verified at periodic intervals as designated by the Engineer.

229.12.12.4. If mineral filler or hydrated lime is specified, a separate bin and feeder shall be furnished. Mineral filler or hydrated lime shall be introduced and uniformly dispersed into the mixture without loss to the dust collection system. The delivery system shall be variable speed and interlocked with the aggregate weigh belt so that total dry aggregate weight, including

mineral filler or hydrated lime, is indicated to the asphalt proportioning system. A device shall be provided to indicate when the flow of filler into the delivery system stops, or drops below, or rises above the specified tolerance. The rate of flow of mineral filler or hydrated lime into the delivery system shall be accurate to 0.5%, by weight, of the total mix. Means shall be provided to readily divert the flow of mineral filler or hydrated lime into a container for measurement.

229.12.12.5. The aggregate feed system, including hydrated lime and mineral filler if specified, and the asphalt flow shall be interlocked by a blending system, which will automatically regulate the asphalt flow and cause immediate correction for variations in aggregate flow. The system shall provide positive weight measurement of the combined cold aggregate feed by use of belt scales. The combined cold aggregate feed shall be continuously recorded on a nonsetback register. The scale and the conveyor at the scale shall be protected from wind and weather effects. Feed of material to the belt scale shall be controlled to ensure at normal operation the combined aggregate flow is between 50% and 100% of the rated capacity of the scales. The plant shall be equipped so that the proportion of each aggregate can be individually varied. The plant shall also be equipped so that the total aggregate rate can be varied without affecting the proportions. The plant shall be equipped with a moisture-compensating device in the control panel to automatically correct for the moisture in the aggregate passing over the belt scale. Moisture determinations on the combined aggregate will be made periodically during each day's operations. The plant shall be equipped with a device in the control panel to automatically correct for the specific gravity of the asphalt. The plant shall also be equipped with a device to positively maintain the proportions of aggregates, mineral filler or hydrated lime, and asphalt cement throughout the full production range.

229.12.12.6. Safe, adequate and convenient facilities shall be provided for obtaining representative asphalt and aggregate samples. The plant shall be equipped with a sampling device capable of providing a sample of sufficient size from the full width of the combined aggregate cold feed flow. It shall be designed so that samples may be taken while the plant is operating at normal production rates. Safe, adequate and convenient facilities shall be provided for calibrating the asphalt flow, mineral filler or hydrated lime flow, and the aggregate flow. The manufacturer's recommendations shall be followed for calibration. To calibrate the aggregate flow system, means shall be provided to permit a positive and uniform diversion of the aggregate in sufficient quantity for accurate timed weight checks. To calibrate the asphalt metering system for proper proportioning, an asphalt distributor or other equipment approved by the Engineer shall be made available so that an accurate tare, gross and net weight may be obtained of the diverted asphalt discharge. If necessary, manual overrides of the electronic timing equipment shall be provided for testing and calibration. Electronic timing equipment shall be provided for testing and calibration purposes. The rate of flow of the total aggregate and asphalt flow shall not vary by more than 2.0% by weight from the required quantity of each.

229.12.12.7. Automatic Ticket Printer. The asphalt plant shall be equipped with an automatic ticket printer connected to the weighing system in such a manner that the printer automatically detects and prints the weight determined by the system. The printer shall store and recall the tare weight when the operator enters the vehicle identification. The weight shall be shown to at least the nearest 20 pounds or nearest one one-hundredth of a ton. The automatic printer shall be capable of keeping and printing cumulative totals for each project for each type of bituminous mixture. The automatic printer shall produce a ticket in triplicate to accompany

each load delivered to the project and shall be furnished to the Engineer showing the weight for each load that shows the following:

1. Gross, tare and net weights.
2. Identification of the vehicle.
3. Current date and time.
4. City job mix designation.
5. Job mix percent asphalt.
6. Unique ticket number. (May be preprinted on the ticket).
7. City Project No. and Federal Job No. if applicable.

When the net weight of bituminous mixture is determined by batch weights, the scales shall meet all requirements of this Section, including automatic ticket printing, except the gross and tare weights will not be required. When the net weight of bituminous mixture is determined by weighing in a vehicle, the vehicle shall be weighed empty for each load, weighed daily or weighed as the Engineer may direct, in order to establish the tare weight of each load.

At the end of each day's operation the Contractor shall furnish to the Engineer the total tonnage of mixture produced by the asphalt plant in sufficient detail to determine the amount of asphalt cement used in that day's operation.

In the event of automatic ticket printer failure, the Contractor may be allowed, with the Engineer's approval, to furnish manually written tickets to complete that day's operation.

229.12.13. Hauling Equipment. Trucks used for hauling bituminous mixtures shall have tight, clean, smooth, metal beds, which have been thinly coated with a minimum quantity of BR3600 by BioSpan Technologies, Inc. or equal, to prevent the mixture from adhering to the beds. Use of diesel fuel, fuel oil or other detrimental products as a bed coating will not be allowed. Each truck shall have a cover of canvas or other suitable material of such size as to protect the mixture from the weather. The cover shall be securely fastened over all sides of the truck bed. When necessary, so that the mixture will be delivered on the road at the specified temperature, truck beds shall be insulated. No loads shall be sent out so late in the day that spreading and compacting of the mixture cannot be completed during daylight, unless there is adequate lighting in the area of work.

229.12.14. Pavers. Bituminous pavers shall be self-contained units, rubber tired or trackmounted, provided with an activated screed or strike-off assembly, equipped with a vibratory system capable of consolidating the asphaltic material and a system capable of heating and maintaining the screed at a temperature which will provide for the spreading and finishing of asphaltic concrete in lane widths applicable to the specific typical section and thicknesses shown on the plans. The paver shall be equipped with a receiving hopper having sufficient capacity to produce a uniform spreading operation. The hopper shall be equipped with a distribution system of sufficient capacity and speed to place the mixture uniformly in front of the screed or strike-off. The use of auger extensions will be required when, in the opinion of the Engineer, they are necessary to properly distribute the mixture before the screed or strike-off. The screed or strike-off assembly shall be equipped with an automatic control device as required in Section 229.16.6, and shall effectively produce a consolidated finished surface of required evenness and texture without shadow lines, tearing, shoving, or gouging the mixture. When laying mixtures, the paver

shall be capable of operation at forward speeds, which will produce a uniform consolidated mat of asphaltic material. The use of all paving equipment will be subject to the approval of the Engineer.

229.12.14.1. When conditions dictate, the Engineer may disapprove the use of rubber tired pavers. Uniform tire pressure must be maintained in all pneumatic tires at all times.

229.12.14.2. The use of petroleum distillates to clean the paver or other equipment will not be allowed on any paved surface. The cleaning of handtools will be allowed inside of containers firmly attached to the paver, which have a sufficient volume to prevent spilling of petroleum distillates on to the surface to be paved. Any spillage on to the surface to be paved will be promptly cleaned up utilizing absorbent material and if necessary the surface will be retacked. If in the opinion of the Engineer, the container attached to the paver is insufficient in any way, it will be removed and handtools will be cleaned beyond the paving limits until a suitable container is provided. Petroleum distillates in sprayers or buckets will not be allowed within the boundaries of the area to be paved.

229.12.15. Automatic Screed Control. The use of automatic screed control devices will be required for all full depth construction except for paving small irregular areas, shoulders, entrances, and side road connections. The screed of the mechanical spreading and finishing machine shall be regulated by an automatically controlled grade leveling and slope control device approved by the Engineer. The device shall be of a standard commercial quality adapted to the type of paver used and shall provide control for producing a uniform surface to the established grade and a cross slope conforming to the requirements of the typical section. The device shall also be equipped with the necessary controls to permit the operator to adjust or vary the slope throughout superelevated curves.

1. Except as modified above or by the Contract, an established grade reference shall be used. The Engineer will establish the grade and will furnish variable thickness values at intervals along the centerline of the roadway for the use of the Contractor in setting a grade reference. The initial pass of the paver, when placing the first continuous layer, shall be made with the sensor following the established grade reference maintained true to grade. If the established grade reference is not required, the initial pass of the paver, when placing the first continuous layer, shall be made with the sensor following a traveling reference plane not less than 30 ft. in length, segmented, supported on pads parallel to the paver and mounted as an integral part of the paver. Regardless of the method used for placing the first continuous layer, other layers shall be placed by use of a shoe-type sensor or indicator, the traveling reference plane (walking beam), or by additional use of the established grade reference as follows:

a. If the current construction consists of only one bituminous or asphaltic layer, a shoe-type sensor or indicator resting on the adjacent surface shall be used for control of subsequent passes of the paver for that layer. When more than two adjacent passes of the paver are required to place the material the full width of the riding surface, additional use of the established grade reference or use of the traveling reference may be

required, if in the judgment of the Engineer, satisfactory grade control is not being obtained by the use of the shoe-type sensor.

b. If the current construction consists of two bituminous or asphaltic layers, subsequent passes of the paver for the first layer and the first pass of the paver for the second layer shall be made with the sensor following the traveling reference. The adjacent passes of the paver for the second layer shall be made with a shoe-type sensor or indicator resting on the previously placed second layer. When more than two adjacent passes of the paver are required to place the second layer the full width of the riding surface, additional use of the established grade reference or the traveling reference may be required, if in the judgment of the Engineer, satisfactory grade control is not obtained by the use of the shoe-type sensor resting on the adjacent surface.

c. If the current construction consists of three or more bituminous or asphaltic layers, subsequent passes of the paver for the same layer and each pass of the paver for all additional layers except the top layer, shall be made with the sensor following the traveling reference. When more than two adjacent passes of the paver are required to place the surfacing material, except for the top layer, the full width of the riding surface, additional use of the established grade reference may be required, if in the judgment of the Engineer, satisfactory grade control is not obtained by the use of the traveling reference. The automatic screed control device need not be used when placing the top layer if the current construction consists of three or more full layers of a bituminous or asphaltic mixture.

2. The spreading operation shall be discontinued in the event of failure of the automatic control device, except that placement will be permitted of mixtures already produced at the time of the failure. The use of the automatic control equipment does not preclude the need for manual control of the screed adjustment for wedging operations over small areas requiring more correction than the maximum thickness permitted for an individual layer of the type of material being placed.

3. For overlay of an established depth on a milled surface or wedged course, the use of the automatic screed control maybe eliminated if in the opinion of the Engineer the surface tolerances may be met. For safety of the motoring public, the automatic screed control may also be eliminated if such action is necessary due to width restrictions on the roadway.

229.12.16. Rollers. All rollers, vibrators, or other equipment used to compact the asphaltic mixture shall be in satisfactory working condition. All rollers shall be capable of reversing without backlash, and steel wheel rollers shall be equipped with scrapers, scouring pads, and a controlled flow watering system. Pneumatic tired rollers shall be self-propelled, of the oscillating type, and equipped with smooth tires of equal size, diameter, and ply rating, all maintained at the same inflation pressure. All rollers shall have a scouring pad and a system for moistening each wheel or roller. It will be the Contractor's responsibility to use the appropriate

number and types of rollers to achieve compaction. A minimum of (3) three 10 to 12 ton tandem axle vibratory rollers will be required. Vibratory frequency and pattern will be established by test strip and will not be altered unless field monitoring indicates compaction outside the acceptable range. It will be the Contractor's responsibility to establish and operate within these parameters. A maximum 3 ton vibratory roller will be required for intersections and commercial approaches to eliminate roller marks and indentations. Trench rollers, vibrators, and other special equipment used for compacting mixtures placed in areas inaccessible to the rollers specified shall be of a weight and design approved by the Engineer. The Contractor shall submit a certification of weight or other suitable documentation certifying compliance with specifications for each piece of compactive equipment proposed for use. Non-certified equipment will not be permitted to operate. No direct payment will be made for the cost of complying with this requirement.

229.12.16.1. After the asphaltic mixture has been spread, struck off, and surface irregularities adjusted, it shall be thoroughly and uniformly compacted by rolling. Rolling shall begin as soon after spreading the mixture as it will bear the weight of the roller without undue displacement. The number of rollers furnished shall be sufficient to obtain the required compaction while the mixture is in a workable condition. Except for projects involving small quantities of mixture, the compacting equipment requirements shall meet specifications set forth in Section 229.12.16. If equipment breaks down or rolling does not keep up with the spreader, all work will be stopped. The Engineer will have the option of rejecting any pavement not meeting the rolling or density requirements of Section 229.12.18.1.4. If pavement is designated to remain in place, penalties will be assessed for the affected material in accordance to Section 229.29.

229.12.16.1.1. Rollers shall move at a uniform speed with the drive roller or wheels nearest the paver. Rolling shall begin at the sides and proceed longitudinally parallel to the road centerline, each trip overlapping one half the roller width, gradually progressing to the crown of the road. When paving in echelon or abutting a previously placed lane, the longitudinal joint shall be rolled first followed by the regular rolling procedure. Where practical the longitudinal lane joints will be "pinched" by rolling from the existing portion of roadway and lapping over into the newly placed asphaltic material so as to tightly bond and compact the new asphalt to the existing asphalt. On superelevated curves the rolling shall begin at the low side and progress to the high side by overlapping of longitudinal trips parallel to the centerline. Alternate trips of the roller shall be terminated in steps to prevent the formation of surface irregularities. The alternate stops shall be spaced in such manner that any excess water will drain quickly. Lateral or diagonal rolling may be permitted to remove high spots, provided the rolling is done in such manner and at such time that shoving or cracking will not result. Rolling shall be continued until all roller marks are eliminated. Lateral or cross-rolling will be required at all butt or construction joints.

229.12.16.1.2. Any displacement occurring as a result of starting, stopping, or changing direction of a roller, or from other causes, shall be avoided. Areas of displacement shall be corrected at once by the use of rakes and addition of fresh mixture when required. Care shall be exercised in rolling not to displace the line and grade of the edges of the asphaltic concrete. If necessary to prevent adhesion of the mixture to the rollers, the wheels and rollers shall be kept properly moistened with water or water mixed with very small quantities of detergent or other approved material. Excess liquid will not be permitted. Along forms, curbs,

inlet sumps, headers, walls and other places not accessible to the rollers, the mixture shall be thoroughly compacted with hot hand tampers, smoothing irons, or with mechanical tampers. A trench roller shall be used on depressed areas inaccessible to regular width equipment. A one-ton roller or hand roller will be required to adequately compact tapered pavement edges.

229.12.16.1.3. Any mixture that becomes loose and broken, mixed with dirt, or is in any way defective shall be removed and replaced with fresh, hot mixture, which shall be compacted to conform with the surrounding area. Any area showing an excess or deficiency of asphalt cement shall be removed and replaced.

229.12.16.1.4. Rolling shall be continued until all roller marks are eliminated and before the un-modified mixture cools to 185°F or the modified mixture cools to 200°F, except as otherwise specified. The final density of the in-place mixture shall be between 92 and 96% of the field determined maximum specific gravity (AASHTO T 209). The applicable density will be determined by the Engineer to correspond with the mix design test method. Density will be determined by nuclear methods or by a specific gravity method.

229.12.16.1.5. Joint Density. The minimum density of all traveled way pavement within 6 inches of a longitudinal joint, including the pavement on the traveled way side of the shoulder joint, shall not be less than 2.0% below the specified density when unconfined. The density of the longitudinal joint when confined shall be included in the evaluation of the remainder of the mat.

229.13. Weather Limitations. Asphaltic concrete shall not be placed: (1) when either the air temperature or the temperature of the surface on which the mixture is to be placed is below 50°F for the surface course or below 40°F for subsurface courses, (2) on any wet or frozen surface, (3) when weather conditions prevent the proper handling or finishing of the mixture. With the approval of the Engineer, base course (asphaltic concrete or bituminous pavement) may be exposed through the winter months (November through March) with the following requirements.

1. The in place density shall be between 93 and 96%.
2. The Voids in Mineral Aggregate (VMA) shall not be lower than 13.

The Voids in Mineral Aggregate (VMA) will be determined in accordance with Section 229.9.1 and the in place densities in accordance with Section 229.12.16.1.4.

229.13.1. During critical temperature periods in the fall of the year, the Engineer may authorize the placement of surface course asphaltic concrete when the on-site ambient temperature is 45°F and rising with an anticipated high temperature of at least 50°F. No further deviation in weather restrictions or temperature limitations will be granted.

229.14. Subgrade Preparation. The subgrade upon which the Superpave mixture is to be placed shall be prepared in accordance with Section 201.

229.14.1. For widening work, the bottom of the trench shall be compacted until it is stable by use of a trench roller having a weight of not less than 300 lbs./in. of width of rear roller, or by mechanical tampers or other methods approved by the Engineer. Suitable excavated

material may be used in shouldering operations. All surplus excavated material shall be disposed of by the Contractor in areas to be secured by him beyond the right-of-way limits, and as specified in Section 203.

229.14.1.1. On the outside of curves, the design depth of trench at the beginning of the superelevation transition shall be varied gradually to the minimum depth at the end of the superelevation transition. Slight transitioning of the width of the base widening will be necessary to permit the indicated angle of repose or shear angle outside of the ultimate edge of surface. The bottom of the trench shall in no case be less than 3 in. below the surface of the existing pavement.

229.15. Application of Prime or Tack. The prime or tack coat, when specified, shall be applied as set forth in Section 223.

229.16. Spreading and Finishing. The base course, primed or tacked surface, or preceding course or layer shall be cleaned of all dirt, packed soil, or any other foreign material prior to spreading the asphalt mixture. The mixture, when delivered to the spreading and finishing machine, shall not exceed 350°F and be within 25°F of that designated by the Engineer. The paver shall be operated at a speed consistent with prevailing conditions that will give the best results. The rate of delivery of the mixture to the paver shall be coordinated so as to provide, where practical, a uniform rate of placement without intermittent operation of the paver.

229.16.1. The thickness of each course shall conform to the typical section in the Contract. The Contractor may construct each course in any number of layers he chooses; but the compacted thickness for SP95 shall be between 1 and 2 in., the compacted thickness for SP125 shall be between 1.5 and 3 in., the compacted thickness for SP190 shall be between 2 and 4 in. The Engineer may increase the compacted layer thickness for SP190 mixtures when used for full-depth base repair or in areas where the above specified layer thickness is not deemed practical. In these areas the approved compaction methods shall be performed at the proper intervals and duration until there is no further evidence of consolidation.

229.16.1.1. Unless specified otherwise, paver screed or strike off widths will reproduce the same lane configuration present when the reconstruction commenced. The use of specialized equipment to comply with this requirement will not be considered a cause for additional compensation. Any change in lane configuration will fall within the normal operating tolerance of a standard ten (10) foot screed or strike off paver and will be made prior to the commencement of paving operations.

229.16.2. For pavements having a width of 20 to 24 ft., inclusive, the asphaltic concrete pavement shall be laid in lanes approximately one half the full width of the completed pavement and the full width completed as soon as practical. Unless otherwise permitted, a single lane of any course shall not be constructed to a length which cannot be completed to full width of the pavement on the succeeding operating day unless otherwise permitted. For pavements greater than 24 ft. in width, single lane width construction shall be limited to one day's production and completion to full width shall be accomplished as soon as practical. For width less than 20 ft., a cut off plate or specialized paver will be required.

229.16.3. No segregation will be permitted in handling the mixture at the plant, from the truck, or during spreading operations on the roadway. Where only the top layer of the surfacing continues across a bridge, the bottom layers shall be ended at a vertical edge. Unless otherwise directed by the Engineer or shown on the plans, all lift edges shall be sloped or tapered and be extended to provide a smooth transition at side streets and driveways. Under all conditions, the final lift shall be tapered to a 3:1 slope unless adjacent to an aggregate shoulder.

229.16.4. The Contractor shall keep traffic off the asphaltic concrete until it has cooled sufficiently to prevent flushing of the asphalt to the surface, marking or distorting the surface, or breaking down the edges, and in any case until the temperature of the asphaltic concrete is 140°F or below. When the asphaltic concrete construction consists of more than a single layer, each layer shall be compacted as specified and allowed to cool to the ambient temperature before the next layer is placed. The final surface layer shall be laid in a continuous sequence over the entire project unless otherwise approved by the Engineer.

229.16.5. Spot Wedging and Leveling Course. The Engineer will determine the locations and thickness of spot wedging and the thickness of leveling course to obtain the smoothest possible riding surface. This procedure may result in spot wedging operations over small areas with feather-edging at high points and ends of wedge areas. Rigid control of the placement thickness of the leveling course will be required. A leveling course, consisting of a layer of asphaltic concrete of variable thickness used to superelevate curves and eliminate irregularities in the existing base, shall be spread uniformly to the desired profile grade and cross section. The use of an approved finishing machine with automatic screed control will be required on the spot wedge and the leveling course. Superpave SP125 mixture shall be used for spot wedging. The type of mixture to be used for the leveling course will be designated in the Contract. Surface grades will be established in advance of the Contractor's wedge and level operations to prevent unnecessary interruptions in the work.

229.16.5.1. At intersections between arterial and/or collector streets, the lane width of the pavement shall be completed for a minimum length of 100 ft. on either side of the intersection centerline and feathered at the edges in a single operating day so that a uniform, smooth riding surface is maintained across the intersection. When the asphaltic concrete construction consists of more than one layer and a vertical face remains at a cross street at the end of a work day, temporary asphaltic material shall be added along the edges to provide a smooth riding surface.

229.17. Placement of Temporary Pavement. Where conditions are such that the use of a finishing machine is not deemed practical by the Engineer for constructing the wedge and leveling course, the base course on the subgrade, narrow pavement widths or small irregularly shaped areas, the Engineer may allow the use of bladed motor equipment or box spreaders for this construction. The finish courses for temporary pavements shall be placed with a finishing machine.

229.17.1. In lieu of roller and density requirements, mixtures used for surfacing medians and similar areas, shoulders adjacent to rigid pavement, shoulders adjacent to resurfaced rigid pavement, and temporary by-passes to be maintained at the expense of the Contractor shall be thoroughly compacted by at least three complete coverages over the entire area, with a tandem-type steel wheel roller weighing not less than 10 tons. The rolling shall be performed at

the proper time intervals and shall be continued until there is no visible evidence of further consolidation.

229.18. Joints. Longitudinal and transverse joints shall be carefully made and well bonded.

229.18.1. Transverse Joints. Transverse joints shall be formed in accordance with standard drawings that will produce a dense, vertical section for use when laying is resumed. The joint formed when the fresh mixture is placed shall be dense, well sealed, and the grade, line, and surface texture of the succeeding surface shall conform to that of the joined surface. The vertical face of transverse joint shall be painted with a light coating of asphaltic material. Hand manipulation of the mixture shall be minimized to avoid unsightly texture.

229.18.2. Longitudinal Joints. Longitudinal joints shall be formed by the use of an edging plate fixed on both sides of the finishing machine. These plates shall be adjustable and the outside plate shall be set at an angle of approximately 45 degrees with the surface of the roadbed and in a position that will lightly compact the mixture. The inside plate, or that placing material for the longitudinal joint, shall be normal to the roadbed. When placing the first lane, if the mixture at the longitudinal joint tends to slump, it shall be set up to a vertical edge by light compaction with the back of the rake. Care shall be taken to obtain a well bonded and sealed longitudinal joint by placing the hot mixture in a manner ensuring maximum compaction at this joint. A light coating of asphaltic material shall be applied to the exposed edge before the joint is made. Irregularities in the outside edge alignment shall be corrected by removing or adding mixture before the surface is compacted. Irregularities in the outside edge alignment shall be corrected by removing or adding mixture before the surface is compacted. No additional payment beyond the unit prices bid for asphaltic materials will be made for compliance with this requirement.

229.18.2.1. The longitudinal joint in any layer shall offset that in the layer immediately below by approximately 6 in.; however, the joints in the completed surfacing shall be at the lane lines of the travel way, when field conditions permit.

229.18.3. Required Butt Joint. Butt joints shall be constructed in accordance with Section 222.

229.19. Surface Tolerance. The surface of each layer shall be substantially free from waves or irregularities. On arterial roadways and collector streets, the final surface (except on medians and similar areas, shoulders adjacent to rigid pavement, and temporary bypasses) shall not vary from a 10 ft. straightedge, applied parallel to the centerline, by more than 1/8 in. At transverse construction joints, surface tolerances shall not vary from the 10 ft. straightedge by more than 1/4 in.

229.19.1. Surface irregularities in the final lift shall be addressed immediately and corrected in the final rolling process. Should the Contractor fail to pave within the required tolerances, the operation will be halted. If surface irregularities still exist when the temperature of the asphalt drops below that which is required to roll the pavement in a workable state, the affected pavement shall be removed and replaced to a depth of 1 1/4 in. or treated by other methods as directed by the Engineer.

229.19.2. On residential streets, testing in accordance to Section 229.19 will be performed, except that surface variations exceeding 1/2 in. in 10 ft. will be marked for removal.

229.20. Testing Pavement. At least one in situ density test shall be conducted per 300 linear feet of street pavement, and four 4" diameter core samples shall be taken per 500 linear feet of street pavement for the determination of the average pavement thickness. The finished courses shall have the nominal thickness shown on the plans. Tests will be made to ensure that each course is being constructed of proper thickness, composition and density. The Contractor shall cut samples from any layer of the compacted mixture at locations designated by the Engineer. The samples shall be cut and delivered to an independent testing laboratory acceptable to the Engineer. If the sample is not cut and delivered as stated, the asphalt laydown operation shall be suspended until the samples are cut and delivered to the laboratory. Ice may be used to cool the pavement immediately prior to sawing or coring the samples. Samples may be obtained by either sawing with a power saw or by drilling 4 in. diameter cores. Each sawed sample shall consist of a single piece of the pavement of the size designated by the Engineer, but no larger than twelve (12) inches square. The samples (four cores or one sawed) shall be identified with the following information:

- a. Project Name and Number
- b. Mix Type and Street Name
- c. Time and date sampled
- d. Street Address or Station and Offset
- e. Project Resident / Inspector Name

Test results shall be available within twenty-four (24) hours (one work day) of delivery to the laboratory.

229.20.1. Density Sample. If cores are used for density determination, a set of four cores are required. At least one set of samples will be taken for each day's production. All samples, whether sawed or cored, shall consist of an undisturbed portion of the compacted mixture. The cores shall consist of the full depth of the lift or layer to be tested. Density tests, either cores or nuclear reading, shall be taken in each lane being paved, every 300 ft. Cores used to establish a nuclear correction factor shall be taken in a number designated by the Engineer and each four cores or fraction thereof shall be considered a sample. The Contractor shall coordinate this work in a manner that traffic shall be prohibited from traveling on the pavement until after the nuclear test pattern has been performed and that area is cored and the pavement is repaired. Initial nuclear test results, without a correlation with cores, does not imply acceptance by the City. The nuclear gauge needs to be correlated to core densities that are taken from the same location as was the nuclear gauge tested. This should be done for each different mix that might be used.

229.20.2. The surface from which samples have been taken shall be restored by the Contractor with the mixture then being produced at the time the cores are taken. If paving has been completed, the Contractor shall immediately restore the surface from which samples have been taken with an approved commercial mixture acceptable to the Engineer.

229.20.3. Payment for coring and sawing shall be included in the Contractor's unit price for paving. Costs for Traffic Control while performing the coring and sawing operation shall be included in other items.

229.21. General Requirements.

229.21.1. Sequence of Operations. To reduce inconvenience to the traveling public during widening or surfacing, the Contractor will not be permitted to place any final surface course until the base widening, the leveling course, and the binder course have been completed throughout the entire combination of sections, unless otherwise authorized by the Engineer. The proper condition of the base widening, the leveling course, and the binder course, at the time of placing the surface course, shall be the Contractor's responsibility.

229.21.2. Traffic Striping. If the Contractor's work has obliterated the existing traffic striping on resurfacing projects open to through traffic, and the surface course has not been completed at the time work is suspended for any extended period, temporary striping will be placed by the Contractor when necessary in the judgment of the Engineer. Any temporary striping and residue shall be removed prior to placing the next lift.

229.22. Surfaced Approaches. At locations designated in the Contract or as directed by the Engineer, approaches are to be tacked in accordance with Section 223 and surfaced with bituminous pavement. The asphaltic surface shall be placed in accordance with details shown on the typical section or as directed by the Engineer. No direct payment will be made for any work required to condition and prepare the subgrade on the approaches.

229.23. Filling Drain Basins. If shown on the plans or designated by the Engineer, existing drain basins shall be filled to the top of the lip with plant mix bituminous base course from the pavement edge to the edge of the shoulder. No direct payment will be made for any difficulty or delay occasioned by this requirement.

229.24. Pavement Repairs (Blow-ups). A blow-up will be considered that area where excessive expansion has resulted in distress to the existing pavement. Blow-ups occurring prior to the application of the tack coat on the existing surface will generally be repaired by the City. Blow-ups occurring after the application of the tack coat shall be repaired by the Contractor by removing the distressed concrete and subgrade, and replacing with asphaltic concrete mixture full depth, thoroughly compacted.

229.25. Method of Measurement. The weight of the mixture will be determined from the batch weights when a batch-type plant is used; and will be determined by weighing each truck load when other types of plants are used.

229.26. Basis of Payment.

229.26.1. Due to possible variations in the specific gravity of the aggregates, the tonnage used may vary from the proposal quantities and no adjustment in Contract unit price will be made because of such variation.

229.26.2. Payment for Pavement Repairs (Blow-ups). Payment for removing and disposing of the broken concrete and for preparing subgrade will be made as provided in Contract bid items. Payment for furnishing, placing, and compacting the asphaltic concrete replacement material will be at the Contract unit bid price for the mixture used.

229.26.3. The accepted quantities of asphaltic concrete will be paid for at the unit bid price, to the nearest ton, for each of the pay items included in the Contract. The quantity of SP125 material used in the wedging or leveling course will not be paid for as a separate bid item, but will be paid for at the unit bid price for the pay item shown as SP125 asphaltic concrete.

229.26.4. Compensation for Thickness Deficiencies. In new construction, cores shall be cut to determine pavement thickness. The drilling of cores for thickness in irregular placement areas or thicknesses, or on projects involving less than 1000 tons of each SP mixture specified, may be waived by the Engineer. If any core measurement is less than the thickness indicated in the plans, penalties shall be assessed in accordance with the following schedule:

<u>Deficiency in Thickness</u>	<u>Deduction, in Unit Price Per Ton</u>
0.00 to 0.20 in.	None
Over 0.20 to 0.40 in.	20% Reduction
Over 0.40 to 0.60 in.	60% Reduction
Over 0.60 in.	100% Reduction

For privately built public roads, pavement with a thickness deficiency of over 0.25 in. shall be milled and overlaid to bring the pavement to the correct thickness. If the correct thickness cannot be achieved, the Engineer shall review the deficiency and determine a remedy. All core drilling and patching shall be the responsibility of the Contractor.

229.26.4.1. Pavement Thickness. Cores will be taken for each completed course. Lift thickness may be determined by the average thickness of cores taken for density measurements. For the purpose of determining the constructed thickness of full depth pavement, cores shall be taken at random intervals in each traffic lane at the rate of 1 core per 1000 feet or increment thereof, or at any other locations as may be determined by the Engineer and measured in accordance with AASHTO T 148. In addition, cores will be taken at all locations where thickness measurements taken during the course of construction indicate a thickness deficiency sufficient to justify a deduction from the Contract unit bid price, or at any other locations as may be determined by the Engineer. When the measurement of any core is deficient in excess of 0.20 in. from the plan thickness, additional cores will be taken at 500 ft. intervals parallel to centerline ahead and back of the affected location until the extent of the deficiency has been determined. The in-place unit weight of the core sample will be used to compute the tonnage of each SP mixture specified in the affected area subject to deduction.

229.26.5. Compensation for Density Deficiencies. Pavement shall be tested in accordance to Section 229.12.18.1.4 and/or 229.20.1. Density values for each lift of asphaltic concrete will be determined. Pavement, which is not compacted to the desired density requirement specified, shall be removed and replaced. If in the judgment of the Engineer the inadequately compacted pavement would not seriously impair traffic service, penalties may be

assessed for inadequate density results in lieu of the removal and replacement of pavement. Penalties will be assessed at the Engineer's option in accordance to Section 229.26.6.

229.26.6. Full Depth Superpave Asphaltic Concrete Construction and Asphaltic Overlays. At the Engineer's option, penalties for inadequate compaction will be assessed as follows:

Compaction Results

(Percent of Field Determined

<u>Maximum Specific Gravity, <i>Gmm</i>)</u>	<u>Deduction in Unit Price per Ton</u>
97.1% or above	100% Reduction or Remove and Replace
96.1 to 97.0%	25% Reduction
91.5 to 96.0%	No Deduction
90.6 to 91.4%	5% Reduction
89.5 to 90.5%	25% Reduction
89.4% and below.....	100% Reduction or Remove and Replace

Penalties will be assessed at 500 ft. intervals. These penalties may be waived for wedge and leveling courses if the Engineer determines that proper compaction may not be achieved due to irregular placement areas or thicknesses.

For privately built public roads, pavement with a density above 96.1% or below 90.5% shall be removed and replaced to bring the pavement to the correct density.

229.26.7. The quantities, complete in place and accepted, will be paid for at the applicable Contract unit price, which payment shall be full compensation for preparation of subgrade, furnishing, hauling and placing all materials, compaction, equipment, tools, labor and work incidental thereto. Payment will be made under:

- Item No. 229.1. Test Strip, per ton or square yard.
- Item No. 229.2. SP90 Asphaltic Concrete, per ton or square yard.
- Item No. 229.3. SP125(LP)(LS) Asphaltic Concrete, per ton or square yard.
- Item No. 229.4. SP190 Asphaltic Concrete, per ton or square yard.

SECTION 230

PORTLAND CEMENT CONCRETE

230.1. Description. Portland cement concrete shall consist of a mixture of Portland cement, fine aggregate, coarse aggregate, and water combined in the proportions specified for the various classes of concrete. Admixtures for the purpose of entraining air, retarding or accelerating the set, tinting and other purposes may be added as specifically required or permitted.

Section 230 addresses Portland cement concrete to be used for used for pavement, curb and gutter, sidewalk, steps, and driveways. Section 250 addresses Portland cement concrete used for drainage structures, retaining walls, and any special concrete structures.

230.2. Materials.

Portland cement concrete shall conform to the requirements of the current MoDOT's Missouri Standard Specifications for Highway Construction, Section 501 and all other sections as referenced in the MoDOT Standard Specifications for Highway Construction unless otherwise specified by the Engineer.

230.3. Mixing. The concrete may be mixed on the site as in case of a paving machine mixed, at a central mixing plant, or mixed in transit. In all cases the concrete shall be agitated and mixed until there is a uniform distribution of the materials and shall be discharged completely before the mixer is recharged.

230.3.1. In the case of ready-mix concrete, the concrete shall be discharged within sixty (60) minutes and the time required between start and completion of discharge shall not exceed fifteen (15) minutes. If the length of time is greater than sixty (60) minutes, the load of concrete shall be rejected at the expense of the Contractor. The ready-mix concrete shall be mixed and delivered in accordance with the requirements set forth in standard specification for ready-mix concrete ASTM C 94.

230.3.2. Ready-mix concrete shall be produced by a plant which has been approved by the Missouri Department of Transportation and the Engineer.

230.4. Inspection and Tests.

230.4.1. All materials shall be subject to inspection by the Engineer at all times.

230.4.2. The strength of the concrete shall be tested by either the standard compression test as designated by ASTM Specification C 39-49 or the concrete flexure test as designated by ASTM Specification C 78.

The City will take samples of the concrete delivered to the job for making concrete tests and the testing of the specimens will be done at the City's expense.

Slump tests will be made by the City in accordance with ASTM Specifications C 143. Slumps shall not exceed the maximum designated for the class and use of the concrete.

All equipment and tools which are used for material handling and performing all parts of the work must meet the approval of the Engineer. The equipment must be kept in full and good working order.

230.4. Protection from Vandals. It will be the Contractor's responsibility to protect fresh concrete from vandals during the curing process. Any concrete damaged by vandals will be inspected by the Engineer and subject to removal if the Engineer judges the damage to create a safety hazard, or would accelerate deterioration of the concrete surface, or if the damage area is unsightly and detracts from the overall aesthetics of the project.

SECTION 231

PORTLAND CEMENT CONCRETE PAVEMENT

231.1. Work Included. This work shall consist of the construction of Portland cement concrete placed with or without reinforcement on a prepared subgrade. The type and dimensions of the pavement will be indicated by the typical section on the construction plans.

231.2. Materials. Concrete used in the construction of Portland cement concrete pavement shall be MoDOT "Pavement" concrete, unless specified otherwise, and all materials, proportioning, air-entrainment, mixing, and transporting for Portland cement concrete shall be in accordance with MoDOT's Missouri Standard Specifications for Highway Construction and with Section 230, Portland Cement Concrete.

Reinforcing steel shall conform to Section 238, Reinforcement for Portland Cement Concrete.

Epoxy for bonding dowels shall be a two-part epoxy meeting the requirements of ASTM C881, Type IV and approved for below grade use. Product shall be Hilti HY150, Sikadur AnchorFix-3 or 4, or approved equal.

231.3. Subgrade and Base.

231.3.1. The subgrade shall be graded, compacted and rolled to ensure maximum density to the exact cross section and elevations and shall be tested with an approved template before concreting. High areas shall be reduced to grade and low areas raised to grade with approved material compacted in place, as directed. Subgrade shall be proof rolled per Section 205.

231.3.2. The base course shall be graded, compacted and rolled to ensure maximum density to the exact cross section and elevations and shall be tested with an approved template before concreting. High areas shall be reduced to grade and low areas raised to grade with approved material compacted in place, as directed. Base course shall be constructed per Section 212.

231.4. Forms shall be of steel or of wood two (2) inches thick, dressed on the top and inside. Built up, battered, bent, twisted, broken or dirty forms shall not be used. Flexible forms may be used for curves of radii less than one hundred (100) feet. Forms shall be cleaned and oiled before use and shall be securely staked and braced and have rigid, tight connections at joints. Face forms are required when forming integral curbs.

231.5. The concrete shall be placed with a minimum of rehandling to avoid segregation. No concrete that has partially hardened or has been contaminated by foreign material shall be deposited on the work, nor shall re-tempered concrete be used. All concrete shall be thoroughly compacted by spading or vibrating to eliminate the voids. Care shall be exercised particularly at and about form and joints to avoid formation of voids or honeycombs and to prevent damage to joint installations.

231.6. Expansion and contraction joints may be sawed or premoulded and shall be

installed as indicated, at right angles to the grade and length of the street unless shown otherwise on the plans. Sawed grooves shall have a depth of at least one-fourth (1/4) the thickness of the concrete and shall be filled with a bituminous joint sealing material.

231.6.1. Premoulded Expansion Joints. Premoulded expansion joints shall be either polychloroprene elastomeric and conform to AASHTO M220 (ASTM D2628) or preformed expansion joint filler per AASHTO M213 (ASTM D1751). One (1) inch premoulded filler shall be installed as noted on the plans, and at all connections with existing concrete structures. Expansion joint materials shall be cut to the full depth of the pavement and integral curb cross section. The top of the expansion joint shall be scraped free of mortar. Expansion joints shall be installed at intervals not to exceed 500 feet whether shown on the drawings or not.

231.6.2. Premoulded Contraction Joints. Premoulded contraction joints shall conform to AASHTO M213 (ASTM D1751). Contraction joints of one-eighth (1/8) inch pressed fiber material shall be installed at intervals of not more than twenty (20) feet.

231.6.3. Longitudinal Joints. Joints between construction lanes shall not be keyed. Joints shall be doweled

231.6.4. Construction Joints. Construction joints may be keyed or butt type and shall be located at the regular location of a contraction joint or not less than ten (10) feet from any other joint. Butt type joints shall have dowels on one (1) foot centers extending at least seven and a half (7.5) inches into and out of the concrete. Construction joints shall be placed at the end of the day's work or wherever concrete placement is suspended for more than thirty (30) minutes.

231.6.5. Transverse contraction joints of premoulded pressed fiber material, dimensions of which are shown on the drawings, shall be installed at intervals of not more than twenty (20) feet.

231.6.6. Dowel bars shall be used to transfer load across all expansion joints or in other locations as shown on the plans. The diameter and length of bars shall be as shown on the plans. Dowel bars shall be smooth round rail or billet steel bars placed as shown on the drawings, and shall be held in position exactly parallel to the surface and center line of the slab by a metal device that shall be left in the pavement. The use of stone, brick or other bulk material for supporting dowels or sleeves will not be permitted. One-half (1/2) of each bar shall be coated with basic lead sulphate, blue lead or red lead paint and with a heavy oil (not grease) to prevent bond. The painted and oiled end of the bar shall also be furnished with an approved paper or metal sleeve so designed as to provide a three-fourths (3/4) inch space at that end of the bar.

Deformed dowel bars which are placed after the concrete has been placed shall be stuck while the concrete is still plastic. Alternatively, the bars may be drilled and epoxied. Smooth bars must be drilled and epoxied if not in place before concrete is placed.

231.6.7. Sawed Joints. Sawed joints shall be provided at a maximum of twenty (20) foot intervals using a special concrete saw which has one or more circular blades at least one-eighth (1/8) inch thick. These may be reinforced abrasive blades or steel blades inlaid with

diamonds (or other types that meet with the approval of the Engineer). In either case the blades shall be cooled and lubricated abundantly with cold water. The joints must be cut within twelve (12) hours of placing concrete, before shrinkage stresses have caused the formation of early cracks.

231.6.8. Joint Filler. After the pavement has been properly cured, all open joints including expansion joints, construction joints, and longitudinal joints, shall be cleaned, primed with a light grade of cut-back asphalt, and poured full of an approved hot poured joint sealing compound. The joint sealing compound shall be either polymeric asphalt based (AASHTO M301, ASTM D3405) or elastomeric-type (AASHTO M282, ASTM D3406), heated and applied in strict accordance with instructions of the manufacturer. Joints must be thoroughly clean and dry immediately before seal is poured and sealing compound shall be poured so that the joint is filled to the level of the adjacent concrete surfaces.

231.7. If the Contractor desires to use a concrete paving machine, the paving machine must be checked and inspected by the Engineer before work begins. Paving machine shall be capable of consolidating and finishing the concrete. Hand finishing shall be provided as needed to provide a quality finished product meeting these specifications. The paving machine may at no time be operated on the finished concrete or on the base which is to be paved, unless permission is granted by the Engineer.

231.8. The temperature of the concrete shall be between sixty and ninety degrees Fahrenheit (60° - 90° F.) when placed in the forms.

231.9. Cold Weather Construction. Cold weather construction shall comply with ACI 306 – Cold Weather Concreting in addition to these specifications. Concreting shall be discontinued when the temperature falls below forty degrees Fahrenheit (40°F.) unless the aggregates or the water are heated to produce the temperatures in Section 231.8 above. However, the Engineer may require that no concrete be poured when in his opinion the concrete might become damaged from freezing due to subsequent falling of the temperature.

- a. Mixing water shall be heated to a maximum of one hundred and fifty degrees Fahrenheit (150° F.).
- b. Aggregates shall be heated until free of all ice and frost.
- c. All covering and heating equipment shall be on hand and approved by the Engineer before any concrete is placed.
- d. The use of a non-chloride accelerator shall be used only with the consent of the Engineer.

When the concrete is placed during cold weather there must be means to protect the concrete. This will be done by applying concrete blankets to protect the concrete from freezing, or other approved methods. Such protection shall be continued for at least seven (7) days unless directed otherwise by the Engineer.

In no case may the concrete be placed on a frozen subgrade. The pavement shall not be opened

to traffic or the Contractor's equipment until ordered by the Engineer. Concrete injured by frost action shall be removed and replaced at the Contractor's expense.

In no case may concrete be poured when the air temperature is thirty-two degrees Fahrenheit (32° F.) and below.

231.10. Hot Weather Construction. Hot weather concrete construction shall comply with ACI 305 – Hot Weather Concreting.

231.11. Placing and Finishing Concrete.

231.11.1. Concrete shall be placed in successive batches over the entire width between side forms. Do not place concrete around manholes or other structures until they are at proper grade, alignment, and cross slope. Concrete shall be consolidated by use of vibrating units operating in the concrete. Unless vibrating apparatus is such that the full width of concrete is consolidated in a single passage, a definite system or pattern shall be used in the operation of the vibrator so the full width of concrete in each linear foot of lane will receive adequate and uniform consolidation. The system and methods of vibrating shall be subject to approval of the Engineer. Vibrating equipment shall, under no circumstances, be used as a tool for moving concrete laterally on the grade. Care shall be taken in discharging concrete to avoid segregation. Concrete shall be thoroughly vibrated along the forms or sides and along expansion and key type longitudinal joints by means of a small approved hand-type mechanical vibrator. Care shall be taken that the vibrator does not penetrate the subgrade or dislodge or remove the joints. Concrete shall not extrude below forms. Mixers and trucks used for transport are permitted to discharge concrete by chute or dump directly onto subgrade or prepared base provided underlying material is not damaged or distorted. Honeycomb in concrete base, pavement edge, or curb may be cause for rejection of concrete.

231.11.2. The concrete shall be brought to the proper section by means of a mechanical finishing machine, a vibrating screed or by an approved type of strike-off board. If a strike-off board is used, it shall be constructed of a material that will not warp, shrink or sag and shall weigh not less than ten (10) pounds per lineal foot. The strike-off board shall be used as a tamping template, if other equipment is not provided for this purpose, with an up and down motion while being propelled forward manually. Any of the above devices, if used, shall be adjusted to the exact crown of the pavement. All surfaces shall be consolidated and floated after strike-off prior to final surface finish.

The surface shall be checked with a straight edge not less than ten (10) feet in length, mounted on long handles and any low spots filled in and high spots removed. All disturbed places shall be refloated. The pavement shall not vary more than one-eighth (1/8) inch from a ten (10) foot straight edge laid parallel to the center line. Contractor shall check the surface immediately behind paving operations to correct surface while concrete is still plastic.

The final finishing operation for streets shall be a broom finish, bridge decks shall be combed. The surface of the pavement shall be of uniform texture and to proper grade and cross section. If the Contractor has elected to use the mechanical brooming method and the results are not satisfactory, the Engineer may require that the hand brooming method be used.

- a. Hand Brooming. After surface irregularities have been removed, the surface of the concrete shall be given a broom finish. Approved steel or fiber brooms of not less than eighteen (18) inches wide, shall be drawn across the surface from the center line towards each side, with the broom held perpendicular to the surface, one stroke of the broom per width of broom, slightly overlapping adjacent strokes. The corrugations resulting from the broom operation shall be uniform in appearance and not more than one-sixteenth (1/16) inch in depth. Brooming shall be completed before the concrete is in such condition that it will be torn or unduly roughened and before the concrete has obtained its initial set.
- b. Mechanical Brooming. A machine capable of producing a finished surface similar to that required for hand brooming may be used for the final finishing of the pavement surface.
- c. Combing. A wire comb shall be no less than 10 feet long with a single line of wires exposed to a length of approximately 4 inches. The wire shall be blue tempered and polished spring steel with nominal dimensions of 0.028 inch thick and 0.100 to 0.125 inch wide. The wires shall be spaced to provide 1/2-inch clear space between wires and securely mounted in a rigid head. Except for concrete finished by hand methods, the wire comb shall be mechanically operated and capable of covering the full width of slab in a single pass, at a uniform speed and at a uniform depth. Final approval of the wire comb will be based on satisfactory performance during actual use. Successive passes of the comb shall be overlapped the minimum necessary to attain a continuously textured surface. The surface texture produced shall have an average texture depth of approximately 0.125 inch. Small or irregular areas, or areas not suitable for machine texturing when adjacent surrounding concrete is ready for texturing, may be textured with a hand operated device producing a textured surface equivalent to that required for machine combing.

The Contractor will be held responsible for the correct alignment, grade and contour specified. Any spots higher than one-eighth (1/8) inch in ten (10) feet, for concrete pavement shall be ground to the required surface by the Contractor at his own expense.

All exposed edges of the concrete at joints, other than sawed joints, and back of curb shall be finished with an edging tool of one-fourth (1/4) inch radius.

231.12. Diamond Grinding. Grind the riding surface to reduce or eliminate the irregularities. Use a self-propelled grinding machine with diamond blades mounted on a multi-blade arbor. Avoid using equipment that causes excessive ravels, aggregate fractures, or spalls. Provide uniform texture the full width of the lane. Transverse grooving will not be required.

Use vacuum equipment or other continuous methods to remove grinding slurry and residue. Prevent the grinding slurry from flowing across lanes being used by traffic. After corrections have been made to the riding surface, test the pavement for smoothness using the same technique used to determine smoothness originally.

Where smoothness is determined through the use of a profilograph, run two traces in each

lane that has been corrected. Run one trace three feet (one meter) from the longitudinal joint between the lanes, and another trace three feet (one meter) from the shoulder or curb edge of the lane. Assure that the profilograph testing and evaluation is performed by a trained and certified operator. Within two days after the corrections to the riding surface are made, furnish the Engineer with the profilogram and its evaluation.

Evaluate the profilogram of the corrected riding surface in 250 ft. sections per lane. The required profile index per trace is 15 inches per mile. Perform additional grinding as required to attain the required profile index. Correct all deviations (in excess of ½ inch in a length of 25 feet) within each section regardless of the profile index value.

231.13. Integral Curb. Integral curb shall be constructed at each side of the pavement conforming to the dimensions and design as shown on plans and shall be constructed of the same concrete as the pavement.

The curb shall be placed immediately after all pavement finishing operations but before the concrete has taken its initial set. The time elapsing between placing the pavement and placing the curb shall not be more than forty-five (45) minutes. A thorough bond shall be obtained between the pavement and curb; if necessary the pavement shall be roughened by a trowel or wire brush. After the concrete has been placed in the curb form, it shall be vibrated, spudded or tamped to ensure sufficient density to prevent honeycomb. When the concrete has sufficiently set, the face forms shall be removed and the curb finished to proper alignment, grade and cross section by troweling and floating with properly shaped tools. No plastering with grout will be permitted. The final finish shall be made by brushing transversely from bottom to top.

All transverse joints in the pavement shall be matched evenly and through the curb and shall conform to the shape of the curb. Finished surface of curb and gutter shall be checked for no more than ¼" deviation in 10 feet via straightedge and corrected as necessary. Gutter shall be checked with a 4' carpenter's level while concrete is still plastic.

231.14. Curing. After the concrete has been finally finished and the water has left the surface, the exposed surface shall be sprayed with a transparent membrane solution meeting the requirements of AASHTO M148 Type 2. The curing material shall be applied in strict accordance with the manufacturer's recommendations and as directed by the Engineer. If rain falls on the newly coated pavement before the film has dried sufficiently to resist damage, or if the film is damaged in any other way, the Contractor will be required to apply additional curing material to the affected portions. Application shall be by a pressure spray at a uniform rate not to exceed two hundred (200) square feet of surface per gallon of spray. If hairline cracking develops before the membrane can be applied, the concrete shall be initially cured with wet burlap before the membrane is applied. After the side forms are removed the sides shall be sprayed with the curing compound.

231.15. Backfilling Slab Edges and Curbs. A minimum of 24 hours shall elapse before forms are removed and 5 days shall elapse or the concrete must have attained 75% of its 28 day compressive strength before pavement is backfilled unless otherwise approved by the Engineer. Backfill shall be accomplished in accordance with Section 201 entitled "Excavation and Embankment." The Contractor shall be responsible for the repair of any existing street pavement damaged by the construction to the satisfaction of the Engineer. Before the pavement

is opened to traffic or the work accepted, the area outside the slab edge or back of the curb shall be backfilled with selected earth approved by the Engineer, thoroughly compacted in layers not exceeding six (6) inches in depth and neatly graded off flush with the slab or top of the curb or as shown on the plans.

231.16. Opening to Traffic. The concrete pavement may not be opened to low volume, light construction traffic until five (5) full days have passed since the concrete was placed unless otherwise directed by the Engineer. Base and pavement shall not be opened to all types of traffic until concrete has attained a compressive strength of 3,500 psi and all sawed joints that have opened more than ¼" are sealed. Pavement shall be broom clean prior to opening to traffic.

231.17. Protection. As soon as the placing of concrete begins, the Contractor shall provide means for completely protecting the pavement from any and all damage or marring of the surface. Protect the concrete from rain. Barricades, lights and signals shall be provided as needed. At all places where it is necessary to maintain public or private crossing over the pavement the Contractor shall at his own expense provide and maintain bridges or other devices that will prevent the damage or marring of the concrete.

231.18. Repairing Defects. Defects shall be repaired per Section 239.

231.19. Inspection and Testing. Inspection and testing shall be performed in accordance with Section 230.4. Concrete for pavement shall have a slump of two (2) to four (4) inches when using ready-mix concrete and one (1) to three (3) inches when using a concrete paving machine. Concrete used for paving shall have a minimum average compressive strength of 4,000 psi at twenty-eight (28) days and a minimum average flexural strength of 550 psi. At least one set of three (3) test cylinders for each 250 feet of street lane but not less than one set for any one day's operations shall be reserved for testing. The making, curing, and handling of each test specimen shall be in accordance with ASTM C31. Each set of concrete cylinders shall be tested as follows:

One cylinder shall be broken to determine 7-day strength
One cylinder shall be broken at 28-days to determine ultimate strength
One cylinder shall be held and not tested unless the 28-day average strength is below the specified strength or unless otherwise directed by the Engineer.

Unacceptable concrete shall be removed and replaced or repaired to the satisfaction of the Engineer at the Contractor's expense.

231.20. Basis of Payment. Portland cement concrete pavement will be paid for at the Contract price per square yard for Portland cement concrete pavement in place, which price includes preparation of subgrade, backfilling of curbs, all materials, all equipment, tools, labor and work incidental thereto. Payment will be retained for any pavement with defects. Defects shall be repaired per Section 239. Payment will be made under:

Item No. 231.1. Portland cement concrete pavement, per square yard

SECTION 232

CONCRETE CURB AND GUTTER

232.1. Description. Concrete curb and gutter shall consist of Portland cement concrete, placed with or without reinforcement on a prepared subgrade. The type and dimensions shall be as shown on the construction plans. Generally curbing is to be placed prior to final placement of pavement or sidewalk. See section 231 for integral concrete curb.

232.2. Materials. Concrete used in the construction of curb and gutter shall be MoDOT "Pavement" concrete, unless otherwise specified; and all materials, proportioning, air-entraining, mixing, and transporting for Portland cement concrete shall be in accordance with MoDOT's Missouri Standard Specifications for Highway Construction and with Section 230, Portland Cement Concrete. Reinforcing steel shall conform to Section 238, Reinforcement for Portland Cement Concrete.

232.3. Removals. Remove existing curbing to nearest contraction or expansion joint, or with approval of Engineer, curb may be sawn such that no free section is less than 5' long and curbing is sawed a minimum of 2" below any exposed surface or sufficiently to prevent disturbance of adjacent structures or slabs. The adjacent pavement shall be removed at least 18" wide for construction of new curb. The pavement may be sawed at the edge of the curb if the edge of pavement is not raveled by sawing and that when the curb is placed the transition from the pavement to curb is smooth, neat, and workmanlike.

232.3. Subgrade. The subgrade shall be graded, compacted and rolled to ensure maximum density to the exact cross section and elevations shown on the plans. The subgrade shall be moistened in advance of depositing concrete, but shall not be muddy or excessively wet.

232.4. Forms. The forms for this work shall be metal or wood of full depth of the concrete, straight, free from warp and of sufficient rigidity to prevent distortion due to the pressure of the concrete and other loads incidental to the construction operations. The forms shall be substantial and unyielding and shall be so designed that the finished concrete will conform to the proper dimensions and contours. Forms shall be set and maintained true to the line designated until the concrete is sufficiently hardened. Forms shall be designed to permit their removal without damage to the concrete. Forms shall not vary from true line and grade by more than 1/8" in 10'. Forms shall be thoroughly cleaned and oiled with a form release agent before concrete is placed. Forms shall be joined neatly and tightly for a distance of at least one hundred (100) feet in advance of the point of placing concrete. Face forms will be used with all curbs and are to have a height equal to or greater than the height of the curb face being formed.

A slip-form curb machine may be used in lieu of forms. The machine must be equipped with mechanical internal vibrators and be capable of placing curb to the correct cross section, line and grade within allowable tolerances.

232.5. Mixing, Handling and Placing, Finishing and Curing Concrete. The mixing, handling and placing, finishing and curing of concrete for curb and gutter shall be in accordance with the appropriate requirements as designated under Section 231, Portland Cement Concrete Pavement, unless otherwise specifically designated.

Concrete curb and gutter shall be constructed in sections having a uniform length of ten (10) feet maximum. The length of a single section may be reduced to a minimum of five (5) feet where necessary for closure. Expansion joints shall be provided at intervals of ninety (90) feet. All joints in concrete curb and gutter shall receive joint filler in accordance with Section 231.6.8 of these specifications. Expansion joints shall use 1" thick preformed joint filler in a single piece cut to the correct curb section. The face and top of the curb and gutter shall be floated smooth and the edges shall be tooled to a ¼" radius as shown in typical section. Joints shall be at a right angle to curbing and shall be true and plumb. Contraction joints for curbs on asphalt streets shall be spaced at intervals of not less than 10 feet or more than 15 feet. Contraction joints shall extend through the entire curb section from the top of curb to a depth 2 inches below pavement surface.

232.6. Backfill. After the concrete has set sufficiently, as determined by the Engineer, the back of curbs shall be back-filled to the required elevation with suitable material which shall be compacted in layers of not more than six (6) inches until firm and solid.

232.7. Inspection and Tests. Inspection and testing shall be performed in accordance with the requirements of Section 230.4, Concrete for Concrete Curb and Gutter, shall have a slump of two (2) to four (4) inches.

232.8. Basis of Payment. Excavation for concrete curb and gutter will be paid for at the Contract unit price per cubic yard for common excavation, under Section 201 Excavation and Embankment with the exception of backfill and will be measured to the pay lines indicated on the Contract drawings.

Concrete curb and gutter will be paid for at the Contract unit price per lineal foot for concrete curb and gutter complete in place, which price will include all materials, forms, equipment, tools, labor and work incidental thereto. Payment will be made under:

Item 232. Concrete curb and gutter, per linear foot.

SECTION 234

CONCRETE SIDEWALKS

234.1. Description. Concrete sidewalks shall be constructed to the line, grade and dimensions shown on the plans or as established by the Engineer. Unless otherwise specifically designated, concrete sidewalks shall have a width of five (5) feet and a depth of four (4) inches, except that at driveways or other points designated on the plans, the depth shall be increased to six (6) inches.

232.2. Concrete. Concrete used in the construction of sidewalks shall be MoDOT “Pavement” concrete as specified in MoDOT’s Missouri Standard Specifications for Highway Construction and with Section 230, Portland Cement Concrete, with the additional requirement that the amount of chert in crushed limestone aggregate shall not exceed two percent (2%) by weight. All materials, proportioning, air-entraining, mixing, and transporting for concrete shall be in accordance with Section 230.

234.3. Detectable Warnings. Truncated Domes are required standardized surface features built in or applied to walking surfaces on sidewalks or ramps to warn visually impaired people of hazards on a circulation path. Those hazards include, but are not limited to interfaces between sidewalks and areas where moving vehicles may be present.

- a. Dimensions. Detectable warnings shall consist of raised truncated domes with a 0.9 inch nominal diameter, a nominal 0.2 inch height, and a nominal center to center spacing between 1.6 in. and 2.4 in. They shall extend across the full walking surface of the walk or ramp, and shall be 2 feet long in the direction of pedestrian travel.
- b. Materials. The material used to provide contrast shall be an integral part of the walking surface. Detectable warning plates are to be 24”x36”, 24”x48”, or 24”x60” and Colonial or Brick Red (Federal Color No. 20109) in color. Detectable Warning tile to be ADA Solutions Part number 2436REPBR, 2448REPBR, or 2460REPBR or approved equal. In situations that detectable warnings are to be placed around a radius the detectable warning tile to be ADA Solutions Part number 24RADREPBR or approved equal. Stamped concrete is not acceptable.
 1. Detectable warnings are to meet ADA and State requirements and meet dynamic vehicle loading, AASHTO HS20-44 wheel load test requirements.
 2. Detectable warning must be a minimum ½” thick or have a perimeter flange at least 5/8” thick.
 3. Bolts shall be stainless steel, minimum 3/8” diameter and bolt caps shall be provided.
 4. Embeds shall be galvanized steel, stainless steel or approved equal.
- c. Installation.

1. The physical characteristics of the concrete shall be consistent with the Contract specifications while maintaining a slump range of 2-4 inches to permit solid placement of the cast in place detectable warning tiles. An overly wet mix will cause the tile to float. Under these conditions, suitable weights such as 2 concrete blocks or sandbags (25 lb) shall be placed on each tile.
2. A four-foot long level, 25 lb. weights, and a large non-marring rubber mallet are specific to the installation of the cast in place tile system.
3. The factory-installed plastic sheeting must remain in place during the entire installation process to protect the finished surface of the tile.
4. When preparing to set the tile, it is important that no concrete be removed in the area to accept the tile. It is imperative that the installation technique eliminates any air voids under the tile. Holes in the tile perimeter allow air to escape during the installation process. Concrete will flow through the large holes in each embedment flange on the underside of the tile. This will lock the tile solidly into the cured concrete.
5. The concrete shall be poured and finished true and smooth to the required dimensions and slope prior to the tile placement. The tile shall be placed true and square to the curb edge in accordance with the Contract drawings. The cast in place detectable tile shall be tamped into the fresh concrete to ensure that the field level of the tile is flush to the adjacent concrete surface. The embedment process should not be accomplished by stepping on the tile as this may cause uneven setting which can result in air voids under the tile surface.

234.4. Construction.

- a. Subgrade. Concrete sidewalks shall be constructed on a prepared smooth subgrade of uniform density. The subgrade shall be graded, compacted and rolled to ensure maximum density to the exact cross section and elevations and shall be tested with an approved template before concreting. Large boulders and ledge rock found in the subgrade shall be removed to a minimum depth of six (6) inches below the finished subgrade elevation and the space shall be backfilled with suitable material which shall be thoroughly compacted by rolling or tamping. The Contractor shall furnish a template and shall thoroughly check the subgrade prior to depositing concrete.
- b. Forms. The forms shall be of either metal or wood and shall be straight, free from warp, of sufficient strength to resist springing during construction, and of a height equal to the full depth of the sidewalk to be constructed. Wood forms shall have a minimum nominal thickness of two (2) inches. Metal forms shall be of a type approved by the Engineer. Flexible or curved forms of proper radius shall be furnished on curves. The forms shall be thoroughly cleaned, well oiled, securely staked, braced, and held to the required line and grade before any concrete is deposited.

234.5. Depositing Concrete. The concrete shall be deposited between the forms on moistened subgrade and shall be struck off and compacted to the required thickness. Concrete shall be compacted by internal vibrating equipment.

234.6. Joints. Saw joints shall be spaced approximately at five (5) feet intervals, and shall be provided for the full width to a depth of one (1) to two (2) inches. Joints shall be sawn within twelve (12) hours of concrete placement after initial set and before shrinkage cracks occur. **Tooled joints are not acceptable.**

Premoulded expansion joint material, one-half (1/2) inch thick, shall be installed in the sidewalk for its full depth wherever it meets another sidewalk, driveway, building, curb, lighting standard, fireplug, or other rigid object with the exception of curb inlets and junction boxes. Expansion joints shall be placed on all four (4) sides of the square formed by the intersection of two (2) sidewalks. When the sidewalk fills the space between the curb and a building or wall, an expansion joint shall be placed between the sidewalk and the curb and between the sidewalk and the building or wall.

234.7. Finishing. After the concrete has been brought true to line and grade it shall be finished to a medium rough finish by use of a stiff broom or other approved method to produce an even, gritty texture. All edges shall be rounded with an edging tool to one-fourth (1/4) inch radius.

234.8. Curing. Immediately after finishing, the sidewalk shall be cured in the same manner as required under Section 231.

234.9. Hot and Cold Weather Concreting. Temperature of the concrete and hot and cold weather construction requirements shall be the same as specified in Section 231.

234.10. Backfilling. After the concrete has sufficiently set, the form shall be removed and the space on each side of the walk shall be backfilled. The earth shall be compacted and graded in a manner satisfactory to the Engineer.

234.11. Inspection and tests. Inspection and testing shall be performed in accordance with the requirements of Section 230.4. Concrete for concrete sidewalks shall have a slump of two (2) to four (4) inches.

234.12. Basis of payment. Concrete sidewalks, complete in place and accepted, will be paid for at the Contract unit price per square foot, which payment shall be full compensation for furnishing, hauling and placing all materials including detectable warnings, preparing subgrade, forms and all joints, backfilling, equipment, tools, labor, and work incidental thereto. Payment will be made under:

Item No. 234.1. 4" or 6" Concrete sidewalks, per square foot.

SECTION 235

CONCRETE STEPS

235.1. Description. Concrete steps shall be constructed where shown on the plans and in accordance with the design and instruction of the Engineer.

235.2. Materials. Concrete used in the construction of steps shall be MoDOT "Pavement" concrete, and all materials, proportioning, air-entraining, mixing, and transporting for concrete shall be in accordance with MoDOT's Missouri Standard Specifications for Highway Construction and with Section 230, Portland Cement Concrete. Reinforcing steel shall conform to Section 238, Reinforcement for Portland Cement Concrete.

235.3. Construction.

- a. Subgrade. Concrete steps shall be constructed on a prepared smooth subgrade of uniform density. Large boulders and ledge rock found in the subgrade shall be removed to a minimum depth of six (6) inches below the finished subgrade elevation and the space shall be backfilled with suitable material which shall be thoroughly compacted by rolling or tamping. The Contractor shall furnish a template and shall thoroughly check the subgrade prior to depositing concrete.
- b. Forms. The forms shall be of either metal or wood and shall be straight, free from warp, of sufficient strength to resist springing during construction, and of a height equal to the full depth of the steps to be constructed. Wood forms shall have a minimum thickness of two (2) inches. Metal form shall be of a type approved by the Engineer. Flexible or curved forms of proper radius shall be furnished on curves. The forms shall be thoroughly cleaned, well oiled, securely staked, braced, and held to the required line and grade before any concrete is deposited.
- c. Dimensions. If steps are constructed without construction plans, the steps shall be laid out so that between landings treads shall be uniform width and rises shall be uniform height without any irregularity.
- d. Hot and Cold Weather. Hot and cold weather placement shall be in conformance with Section 231.

235.4. Depositing concrete. The concrete shall be deposited between the forms on the moistened subgrade and shall be struck off and compacted to the required thickness. It shall be tamped sufficiently to bring the mortar to the top surface, and the surface shall then receive a final broom finish unless otherwise directed by the Engineer. All edges shall be rounded with an edging tool to one-fourth (1/4) inch radius.

Premoulded expansion joint material shall be installed for the full width and depth of the cross section where the steps abut sidewalks, curbs and other structures.

Immediately after finishing, the steps shall be cured in the same manner as required under Section 231, Curing of Portland Cement Concrete Pavement.

235.5. Backfilling. After the concrete has sufficiently set, the Contractor shall remove the forms and shall backfill the space on each side of the steps. The earth shall be compacted and graded in a manner satisfactory to the Engineer.

235.6. Inspection and Tests. Inspection and testing shall be performed in accordance with the requirements of Section 230.4. Concrete for steps shall have a slump of two (2) to four (4) inches.

235.7. Method of Measurement. Tread area of steps in square feet, measured to the nearest square foot.

235.8. Basis of Payment. Payment for concrete steps, including reinforcing steel as required, complete in place, including necessary excavation, all material, equipment, tools, labor and any work incidental thereto, will be considered as completely covered by the Contract price per square foot. Payment will be made under:

Item No. 235.1.R. Concrete steps (reinforced), per square foot.

Item No. 235.1.NR. Concrete steps (non-reinforced), per square foot.

SECTION 236

PATCHING PORTLAND CEMENT CONCRETE PAVEMENT

236.1. Description. Where noted on the plans, or as directed by the Engineer, the Contractor will be required to patch the existing Portland cement concrete pavement.

236.2. Construction. After all pavement in the patch area has been removed as required, the subgrade shall be excavated to provide an under-cut approximately two (2) inches wide and two (2) inches deep. Should the subgrade be unstable, such undesirable material as may be encountered shall be excavated to a minimum depth of twelve (12) inches below the top of the finished concrete patch. The subgrade shall then be constructed to proper elevation by filling with approved aggregate material and compacted until all subgrade weakness has been corrected.

The area shall then be paved with MoDOT "Pavement" concrete as specified in MoDOT's Missouri Standard Specifications for Highway Construction and with Section 230, Portland Cement Concrete. All appropriate provisions of Sections 230 and 231 shall apply, except for the following items:

- a. Hand finishing will be permitted.
- b. Transparent membrane curing solution will not be permitted if the pavement is to be resurfaced.

Unless otherwise noted on the plans, material excavated from subgrade shall be disposed of away from the project at locations which are the sole responsibility of the Contractor.

236.3. Payment. Payment for the foregoing work complete in place shall include excavation, compacting the subgrade, furnishing all materials including those which may be required for subgrade stabilization, tools, equipment, labor and any work incidental thereto. Payment will be made under:

Item No. 236.1. Patching Portland cement concrete pavement, per square yard.

SECTION 237

CONCRETE DRIVEWAY PAVEMENT

237.1. Description. Where called for on the plans, or as directed by the Engineer, concrete driveway pavement shall be constructed to the line, grade and dimensions shown on plans.

237.2. Concrete used in the construction of driveway pavement shall be MoDOT "Pavement" concrete, and all materials, proportioning, air entrainment, mixing, and transporting for the concrete shall be in accordance MoDOT's Missouri Standard Specifications for Highway Construction and with Section 230, Portland Cement Concrete.

The mixing, handling and placing, finishing and curing of concrete for driveways shall be in accordance with the appropriate requirements of Section 231, Portland Cement Concrete Pavement.

237.3. Basis of Payment. Payment for concrete driveway pavement, complete in place, including the removal of existing driveway surfacing, all materials, all joints, equipment, tools, labor and work incidental thereto will be considered as completely covered by the Contract price to nearest one-tenth (1/10) of a square yard. Payment will be made under:

Item No. 237.1. 6" or 7" Concrete driveway pavement, per square yard.

SECTION 238

REINFORCEMENT FOR PORTLAND CEMENT CONCRETE

238.1. Description. This item shall include billet-steel bars, rail-steel bars, axle-steel bars, cold-drawn steel wire, fabricated steel bars or rod mats and welded steel wire fabric for concrete reinforcement.

238.2. Materials. All materials shall conform to the requirements of the American Society for Testing Materials as hereinafter designated. Only one grade of steel will be allowed on any one Contract, unless otherwise noted on the plans or in the special provisions. Rebar is to be ASTM A-615 Grade 60 unless otherwise specified. Rebar to be welded shall meet the requirements of ASTM A-706.

238.3. Order Lists. Before ordering material, all order lists and bending diagrams shall be furnished by the Contractor for the approval of the Engineer and no materials shall be ordered until such lists and bending diagrams have been approved. The approval of order lists and bending diagrams by the Engineer shall in no way relieve the Contractor of responsibility for the correctness of such lists and diagrams. Any expense incidental to the revision of material furnished in accordance with such lists and diagrams to make it comply with the design drawings shall be borne by the Contractor.

238.4. Protection of Material. Steel reinforcement shall be protected at all times from injury. When placed in the work, it shall be free from dirt, detrimental scale, paint, oil or other foreign substance. However, when steel has on its surface detrimental rust, loose scale and dust which is easily removable, it may be cleaned by a satisfactory method, if approved by the Engineer.

238.5. Fabrication. Bent bar reinforcement shall be cold bent to the shapes shown on the plans, and unless otherwise provided on the plans or by authorization, bends shall be made in accordance with the following requirements:

Stirrups and tie bars shall be bent around a pin having a diameter not less than two (2) times the minimum thickness of the bar. Bends for other bars shall be made around a pin having a diameter not less than six (6) times the minimum thickness except for bars larger than one (1) inch, in which case the bends shall be made around a pin of eight (8) bar diameters.

Bar reinforcement shall be shipped in standard bundles, tagged and marked in accordance with the *Code of Standard Practice of the Concrete Reinforcement Steel Institute*.

238.6. Bar Reinforcement. Bar reinforcement shall conform to the requirements of the ASTM Specifications Designation A 15-58T for billet-steel bars or ASTM Designation A 16-59T for rail steel bars, or the latest revision thereof.

All bars shall be of the deformed type conforming to ASTM Designation A 305-56T or the latest revision thereof, unless otherwise specified.

The use of twisted bars is not permitted. Steel for all bars shall be made by the open

hearth process, unless otherwise called for in the special provisions of the plans.

238.7. Wire and Wire Mesh. Wire shall conform to ASTM Designation A 82-58T for cold-drawn steel wire for concrete reinforcement, or the latest revision thereof.

Wire mesh, when used as reinforcement in concrete, shall conform to ASTM Designation A 185-58T Welded Steel Wire Fabric, or the latest revision thereof. Rolled fabric reinforcement is not acceptable. The type of mesh shall be approved by the Engineer.

238.8. Bar Mat Reinforcement. Bar mat reinforcement for concrete shall conform to ASTM Designation A 184-37 the specification for fabricated steel bar or rod mats, or the latest revision thereof.

238.9. Placing and Fastening. All steel reinforcement shall be accurately placed in the position shown on the plans and firmly held during the placing and setting of concrete. When placed in the work, it shall be free from dirt, detrimental rust, loose scale, paint, oil or other foreign material. Bars shall be tied at all intersections except where spacing is less than one (1) foot in each direction when alternate intersections shall be tied. Ends of all ties shall be bent facing away from the exposed surface.

Bar supports shall be placed at a distance such that under construction loading the bars remain in the correct position. In no case shall bar supports be placed at greater than a 5 foot spacing. Wire mesh shall be supported using continuous chairs and shall be placed at no greater than 2-foot on center.

Distances from the forms shall be maintained by means of stays, ties, hangers, bolsters, or other approved supports. Metal chairs which are in contact with the exterior surface of the concrete shall be plastic dipped. Layers of bars shall be separated by standees or by other equally suitable devices. The use of cement blocks, pebbles, pieces of broken stone or brick, metal pipe and wooden blocks shall not be permitted. The minimum spacing center to center of parallel bars shall be two and a half (2 1/2) times the diameter of round or three (3) times the side dimension of square bars, but in no case shall the clear distance between the bars be less than one and a half (1 1/2) times the maximum size of the coarse aggregate. Reinforcement in any number shall be placed and then inspected and approved by the Engineer before the placing of concrete begins. Concrete placed in violation of this provision may be rejected and removal required.

238.10. Splicing. All reinforcement shall be furnished in the full lengths indicated on the plans. Splicing of bars, except where shown on the plans, will not be permitted without the written approval of the Engineer. Splices shall be staggered as far as possible.

Unless otherwise shown on the plans, bars in the bottom of beams and girders, and in wall, columns and haunches shall be lapped twenty (20) diameters and bars near the top of beams and girders having more than twelve (12) inches of concrete under the bars shall be lapped forty (40) diameters, to make the splice. In lapped splices, the bars shall be placed in contact and wired together in such a manner as to maintain a clearance of not less than the minimum clear distance to other bars and the minimum distance to the surface of the concrete, as specified above under Section 238.9 - Placing and Fastening. Welding of reinforcement steel

shall be done only if detailed on the plans or if authorized by the Engineer in writing. Welding shall conform to the current specification for *Welded Highway and Railway Bridges* of the American Welding Society.

238.11. Lapping. Sheets of mesh or bar mat reinforcement shall overlap each other sufficiently to maintain a uniform strength and shall be securely fastened at the ends and edges. The edge lap shall not be less than one (1) mesh in width.

238.12. Substitutions. Substitution of different size bars will be permitted only with specific authorization by the Engineer. If steel is substituted, it shall have an area equivalent to the design area, or larger.

238.14. Payment. There will be no direct payment for furnishing and installing reinforcement but the whole cost and expense of such work to the Contractor must be included by him in the price bid in items that are to be reinforced.

SECTION 239

REPAIR OF CONCRETE PAVEMENT

239.1. Description. Portland Cement Concrete Pavement shall be repaired in accordance with this section. Contractor shall submit a schedule of repairs to the Engineer prior to commencing with repairs.

239.2 Schedule of repairs. Assess the defects in the streets and prepare a plan conforming with the chart below.

Defect Type	Defect Direction	Defect Location	Description	Repair Procedure	Alternate Procedure
Plastic Shrinkage Crack	Any	Anywhere	Only partially Penetrates Depth	Do nothing	Fill with HMWM ²
Uncontrolled Crack	Transverse	Mid-slab	Full-depth	Saw and seal Crack	LTR ³
Uncontrolled Crack	Transverse	Crosses or ends at Transverse joint	Full-depth	Saw and seal the Crack; Epoxy Uncracked joint	
Uncontrolled Crack	Transverse	Relatively parallel and Within 5 ft of joint	Full-depth	Saw and seal the Crack; Seal joint	FDR ⁴ to replace Crack and joint
Saw cut or Uncontrolled Crack	Transverse	Anywhere	Spalled	Repair spall by PDR ⁵ if crack not removed	
Uncontrolled Crack	Longitudinal	Relatively parallel & within 1 ft. of joint; may cross or end at longitudinal joint	Full-depth	Saw and seal the Crack; Epoxy Uncracked joint	Cross-stitch ¹ crack
Uncontrolled Crack	Longitudinal	Relatively parallel & in wheel path 1-4.5 ft from joint	Full-depth	Remove and replace slab	Cross-stitch ¹ crack
Uncontrolled Crack	Longitudinal	Relatively parallel and further than 4.5 ft from a long. joint or edge	Full-depth	Cross-stitch ¹ crack; Seal longitudinal joint	
Saw cut or uncontrolled crack	Longitudinal	Anywhere	Spalled	Repair spall by PDR ⁵ if crack not removed	
Uncontrolled crack	Diagonal	Anywhere	Full-depth	FDR ⁴	
Uncontrolled crack	Multiple per slab	Anywhere	Two cracks dividing slab into 3 or more pieces	Remove and replace slab	

¹Cross-stitching; for longitudinal cracks only, drill ¾" holes at 35° angle, alternating from each side of joint on 30-36 in. spacing. Epoxy #5 epoxy coated deformed steel tiebars into hole.

²HMWM = High molecular weight methacrylate poured over surface and sprinkled with sand for skid resistance.

³LTR = load-transfer restoration; 3 dowel bars per wheel path grouted into slots sawed across the crack; Slots must be parallel to each other and the longitudinal joint.

⁴FDR = full-depth repair; 10 ft long by one lane wide. Extend to nearest transverse contraction joint if 10 ft repair would leave a segment of pavement less than 10 ft long.

⁵PDR = partial-depth repair; Saw around spall leaving 2 in. between spall and 2 in. deep perimeter saw. Chip concrete free, then clean and apply bonding agent to patch area. Place a separating medium along any abutting joint or crack. Fill area with patching mixture.

239.3. Basis of Payment: There will be no additional payment for repair of defects. Payment for pavement work will be retained until defects are corrected.

SECTION 240

COLD MILLING

240.1. Description. This section includes cold milling pavement surfaces.

240.2. Equipment. Milling the surface of pavements shall be completed by the use of a milling machine conforming to the following:

- a. Machine. The cold milling machine shall be self-propelled and shall have in combination the means of milling and cutting, without softening the old surface and blading the cuttings into a single windrow, or depositing them directly into a truck.
- b. Air Pollution. The machine shall be equipped with a dust suppression system including water storage tanks and high pressure spray bars.
- c. Operating Width. It is desirable that the cutting width be greater than 6 feet. In the event the cutting width is less than 6 feet a system of electronic grade control for consecutive passes will be required.
- d. Cutting Drum. The cutting drum shall be totally enclosed to prevent discharge of any loosened material on adjacent work areas.
- e. Warning Light. The milling machine shall be equipped with a flashing warning light visible from 360 degrees. The light shall be mounted near the rear of the machine, at least 2 feet above the highest part of the milling machine, and shall be used whenever the machine is being used or moved upon the City streets.

240.3. Construction Details.

240.3.1. Methods of Operations for Milling:

1. Operator. The milling machine shall be operated by an experienced and capable operator.
2. Utilities. Street surfaces adjacent to manholes, water valves and other utility extensions, shall be completely removed to the full depth of cut specified for the street unless otherwise specified by the Engineer. Any damages are to be repaired by Contractor at Contractor's expense. After removal, place temporary wedge of bituminous around appurtenance to allow safe transition by through traffic.
3. Material Disposal. The material windrowed by the machine shall be removed immediately from the surface of the pavement and properly disposed of by the Contractor.

4. Surface Conditions. The drum lacing patterns shall produce a smooth surface finish after milling, with groove depths not to exceed 1/4 inch and groove spacing not to exceed 1 inch unless otherwise approved by the Engineer.

240.3.2. Types of Cuts to be made by Milling:

1. Leveling. Sufficient passes shall be made such that all irregularities or high spots are eliminated, and that 100% of the surface is milled.

2. Average Depth. Sufficient passes, or cuts, shall be made in order to remove a specified depth over the entire street section. These depths will be designated in the Contract Documents.

3. Curb Cut. Sufficient passes or cuts shall be made in order to remove a specified depth at the curb for a specified width. The depth at the width furthest from the curb is 0. These dimensions will be designated in the Contract Documents.

4. Bridge Deck Milling. Sufficient passes, or cuts, shall be made in order to remove the material as specified on-the plans or in the Contract Documents.

240.3.3. Cleanup. All loose asphalt and debris shall be removed from the street surface and curb and gutter. Any material and debris that adheres to the curb and gutter shall be removed.

240.4. Method of measurement. Cold milling will be measured per square yard to the nearest tenth for the specified depth.

240.5. Basis of payment. Cold milling will be paid for by one of the following:

Item No. 240.1. Contract unit bid price, per square yard.

Item No. 240.2. Contract lump sum bid price.

SECTION 241

MAINTENANCE OF TRAFFIC

241.1 Description. This section governs the furnishing of all labor, equipment and tools, and for the performance of all work necessary to provide Maintenance of Traffic as specified herein, on the plans or within the Contract Documents.

241.2 General. The Contractor is required to maintain access to all properties served by the streets within the construction site limits. Convenient access to driveways, houses and buildings along the line of the work shall be maintained at least each morning and evening and temporary approaches to crossings or intersecting roads or streets shall be provided and kept in good condition.

241.3 Public Convenience. Unless otherwise provided in the Technical Specifications, all public traffic shall be permitted to pass through the work, and the Contractor shall so conduct his operations as to offer the least possible obstruction and inconvenience to the public. He shall have under construction no greater length or amount of work than can be prosecuted properly with due regard to the rights of the public, and the Engineer shall be the sole judge of the length or amount of work which will afford proper convenience to the public. The Contractor shall erect warning and directional signs as may be necessary in the opinion of the Engineer, for expediting the passage of public traffic through or around the work. All such signs and traffic maintenance shall be subject to the approval of the Engineer and he shall be notified twenty-four (24) hours in advance of any disturbance of existing traffic patterns.

Where pipelines to be installed under the Contract across certain designated streets or highways, the Contractor shall be required to open the trench for only one-half (1/2) the width of the pavement at any one time so that one-way traffic may be maintained, unless specified otherwise in the Technical Specifications.

241.4 Public Safety. The Contractor shall furnish, erect, and maintain such warning lights, barricades, bridges, and other devices as are necessary to prevent accidents and avoid damage or injury to the public and as directed by the Engineer. The adequacy of warning and protective measures for public safety is the responsibility of the Contractor. No action or inaction by the Engineer shall relieve or abrogate the Contractor's obligation to furnish and pay for these devices.

The Contractor shall notify the City Joint Communication Office of all road closures in advance, and keep them notified of all changes so that emergency vehicles will know, at all times, of appropriate response routes.

Forty-eight (48) hours in advance of beginning any work, the Contractor shall notify the Engineer in writing of the name, location, and twenty-four (24) hour per day telephone number of the person designated to be responsible for the barricade and warning devices for the project. Said persons must be approved by the Engineer and must be available on a twenty-four (24) hour basis for maintaining, placing, and replacing barricades and warning devices.

241.5 Traffic Maintenance and Warning Devices. The Contractor will be responsible for arranging for installation of the necessary traffic control devices (with the exception of the barricades and other channelizing devices) a minimum of 48 hours prior to beginning the project so that inspection can be conducted by the Engineer.

The Contractor shall furnish all construction signs to be used on the job site and on the approaches to the job site unless otherwise provided in the Technical Specifications. All signs and traffic control devices used for the detouring or routing of traffic in, around, and through the construction area shall conform to the standards of the City of Columbia as set forth in the attached standard detail sheets or according to the latest edition of the Manual of Uniform Traffic Control Devices (MUTCD). The approximate quantity of traffic control devices is listed in the traffic control plan. The actual quantities of traffic control devices will vary depending on the construction sequence. No itemized list of actual quantities or additional payment will be made for devices needed in excess of the approximate quantity shown.

241.6 Flashers and other traffic control devices. All traffic control devices shall be maintained in acceptable condition as defined by the latest American Traffic Safety Services Association (ATSSA) "Quality Standards for Work Zone Traffic Control Devices." Devices in unacceptable or marginal condition as determined above shall be removed from the job site and replaced with devices in acceptable condition.

The Contractor will be advised by the Engineer as to which road signs are to remain in use during construction and shall make necessary relocations to avoid interference with construction operations. Signs that are to be removed from the site during construction will be picked up, stored, and re-installed by the City. The Contractor will be required to pay the cost of replacing or repairing any signs damaged by reason of his operations or lost while in his custody, and upon his failing to pay such costs, they will be deducted and retained from any sums due under the Contract.

241.7 Method of Measurement. Maintenance of Traffic will be measured per each device per day listed in the proposal and as adjusted by the Engineer during construction. The device must be set for at least one-half of a calendar day for it to be measured for payment.

241.8 Basis of Payment. Maintenance of Traffic will be paid for by one of the following:

- Item No. 241.1. Contract unit bid price.
- Item No. 241.2. Contract lump sum bid price.

SECTION 242

PAVEMENT MARKINGS

242.1. Summary. This section governs the furnishing of labor, equipment, and materials and for the performance of work necessary to furnish and install white and yellow permanent or temporary retro-reflectORIZED pavement marking materials.

242.2. General. The permanent pavement markings shall be installed immediately after the roadway surface is complete unless prior approval is received by the Engineer. The installation of the yellow markings (as required) is the first priority. If the permanent markings cannot be installed and thus the roadway would be unmarked overnight, temporary removable markings shall be installed and remain until the permanent markings can be installed. The Contractor shall make every possible effort to remove the temporary pavement markings and install permanent pavement markings within 48 hours. Only under extreme circumstances and at the approval of the Engineer, will the duration of the temporary pavement markings be extended. Under no circumstance should the temporary pavement markings be in place for more than 2 weeks. If permanent markings cannot be installed within the specified time then semi-permanent markings shall be installed following the guide lines as set forth in the latest edition of the Manual on Uniform Traffic Control Devices (MUTCD) Part VI, Sections F6 and G6. The temporary removable markings shall be removed prior to installation of the permanent markings. In situations where markings conflict with the traffic routing, such as a lane closure or a lane diversion, conflicting markings shall be removed prior to application of the next set of markings.

242.3. Striping Applicability Chart.

Roadway Surface	Permanent Marking	Temporary Marking
New asphalt	Thermoplastic	Temporary Tape (I or II)
Old asphalt	Aggressive bond thermoplastic	Temporary Tape (I or II)
Slurry or microsurface	Thermoplastic	Temporary Tape (I or II)
Milled concrete or asphalt	Not applicable	Paint
Asphalt to be milled	Not applicable	Paint
Base asphalt	Not applicable	Paint, Temporary Tape (Type II)
New or old concrete	Aggressive bond thermo, Epoxy	Paint
Diamond ground	Epoxy	Paint

Note: Old asphalt is asphalt which is more than 6 months old, or which has been open to traffic.

242.4. Symbol Applicability Charts.

Roadway Surface	Symbols	Temporary Symbols
New asphalt	Pre-formed thermoplastic, thermoplastic	Temporary Tape (I or II), paint
Old asphalt	Pre-formed thermoplastic thermoplastic	Temporary Tape (I or II), paint
Slurry or microsurface	Thermoplastic	Temporary Tape (I or II), paint
Milled concrete or asphalt	Not applicable	Paint
Asphalt to be milled	Not applicable	Paint
Base asphalt	Not applicable	Paint
New or old concrete	Aggressive bond thermo, inlaid cold plastic	Temporary Tape (I or II), paint
Diamond ground concrete	Inlaid cold plastic	Temporary Tape (I or II), paint

242.5. Materials

a. Pre-Mix Glass Spheres. Pre-mix glass spheres shall be uncoated and conform to AASHTO M247 Type 1. The glass spheres used in the formulation shall be lustrous, free from film, scratches, and pits. The glass spheres shall also meet the following requirements:

1. Roundness. The roundness of the spheres shall be minimum of 70% when tested in accordance with ASTM D1155.
2. Gradation. The gradation when tested in accordance with the method provided in ASTM D1214 shall be:

Size of Sieve	% Passing (by weight)
No. 18	80-100
No. 50	20-50
No. 80	0-10

3. Refractive Index. When tested by a liquid immersion method at 77°F, the refractive index of the spheres shall be a minimum of 1.50.

b. Drop-On Glass Spheres. The spheres shall be manufactured from glass of a composition designed to be highly resistant to traffic wear and to the effects of weathering. The particles shall be spherical in shape, containing not more than thirty percent (30%) of irregularly shaped particles. They shall be essentially free of sharp angular particles, and particles showing milkiness or surface scoring or scratching. They shall meet the requirements of AASHTO M247 Type 1.

1. Gradation. The gradation when tested in accordance with the method provided in ASTM D1214 shall be:

Size of Sieve	% Passing (by Weight)
No. 20	100
No. 30	80-100
No. 50	18-35
No. 80	0-10
No. 100	0-2

2. Refractive Index. When tested by a liquid immersion method at 77°F, the refractive index of the spheres shall be within the range of 1.50 to 1.60.

3. Moisture Proof Requirements. The spheres shall show no tendency to absorb moisture in storage and shall remain free of clusters and hard lumps. The spheres shall flow freely from dispensing equipment at any time when surface and atmospheric conditions are satisfactory for application.

c. Thermoplastic Pavement Markings. This specification covers a white and yellow thermoplastic reflectorized pavement marking material of a type that is applied to asphalt road surfaces in a molten state by mechanical means to receive a surface application of glass spheres, and which upon cooling to normal pavement temperature, produces an adherent reflectorized stripe of specified thickness and width and is capable of resisting deformation.

1. Characteristics. The material shall not exude fumes that are toxic, obnoxious or injurious to person or property, when it is heated to the temperature range specified by the manufacturer for application. It shall remain stable when held for 4 hours at this temperature, or when subject to 3 reheatings after cooling to ambient temperature. The temperature–viscosity characteristics of the plastic material shall remain constant throughout repeated reheatings, and shall show like characteristics from batch to batch. There shall be no obvious change in color of the material either as a result of repeated reheatings or from batch to batch. The thermoplastic material shall easily extrude from the equipment to produce a cross–section of line 90 to 125 mil thick, which shall be continuous and uniform in shape, and have clear and sharp dimensions.

2. Serviceability. The compound shall resist deterioration by contact with sodium chloride, calcium chloride or other chemicals used to prevent roadway ice, or because of the oil content of pavement materials or from oil droppings or other effects of traffic. The markings shall remain intact under normal traffic conditions at temperatures below 140°F.

3. Specific Gravity. The material’s specific gravity shall not be less than 1.8 nor exceed 2.3 referred to water at 77°F when determined by a water displacement method at 77°F.

4. Set Time. When applied at the specified temperature and thickness, the material shall set to bear traffic in not more than 2 minutes when the air temperature is 50°F and not more than 10 minutes when the air temperature is 90°F.

5. Composition. The thermoplastic pavement marking material shall be homogeneously composed of pigment, filler, resin binder and glass reflectorizing spheres. The solid resin shall be a “maleic–modified glycerol ester resin” (alkyd binder) comprising at least one–third of the binder compositions and be no less than eight (8) percent by weight of the entire material formulation. The alkyd binder shall consist of a mixture of synthetic resins (at least one of which is solid at room temperature), and high boiling point plasticizers. The material shall not contain any petroleum derived ingredients. Yellow pigment shall be heat stabilized encapsulated lead chromate. The thermoplastic pavement marking material shall contain the following ingredients:

Ingredient	Percent by Weight	
	White	Yellow
Binder (See Note A below)	18.0 min	18.0 min
Titanium Dioxide	10.0 min	
Glass Spheres	20-50	20-50
Lead Chromate		2.0-4.5
Inert Fillers	42 max	50 max

The material shall be thoroughly mixed and furnished in a free flowing granular form. The material shall meet the requirements of this specification for a period of one year. The material shall readily melt in a uniform mixture. The material shall be free from all skins, dirt, and foreign objects. It shall be of such composition that it will not bleed, stain or discolor when applied to bituminous pavement. The manufacturer shall replace material not meeting the above requirements.

6. Color. The color of the thermoplastic material after heating for 4 hours ± 5 minutes at 425 ± 3°F shall conform to the following when tested by Federal Test Method Standard 141 Method 4252:

White: Federal Color Chip No. 37875 (Fed. Std. No. 595)

Yellow: Federal Color Chip No. 13538 (Fed. Std. No. 595)

7. Reflectance. The daylight luminous reflectance of the white material shall be not less than 75% when tested according to ASTM E1347. The yellow shall have a minimum brightness of 45% relative to magnesium oxide, and shall be within the green and red tolerance of the "Standard Color Chips for Highway Signs (January 1939)" obtainable from the United States Bureau of Public Roads, Washington, D.C. (TT–P–115a).

8. Softening Point. After heating the thermoplastic material for 4 hours \pm 5 minutes at $425 \pm 3^\circ\text{F}$ and testing in accordance with ASTM D36, the material shall have a softening point $215 \pm 15^\circ\text{F}$.

9. Flowability. After heating the thermoplastic material for 4 hours \pm 5 minutes at $425 \pm 3^\circ\text{F}$ and testing for flowability, the white thermoplastic shall have a maximum percent residue of 18 percent and the yellow thermoplastic shall have a maximum residue of 21 percent.

After heating the thermoplastic material for 8.5 hours \pm 5 minutes at $425 \pm 3^\circ\text{F}$ and testing for flowability, the thermoplastic shall have a maximum percent residue of 28 percent.

10. Indentation Resistance. Hardness shall be measured by a Shore Durometer, Type A2, as described in ASTM D2240, except that the Durometer and the panel shall be at 77°F , and a 4.4 lb load applied. After 15 seconds, the reading shall be not less than 55.

11. Abrasion Resistance. The material shall not show a maximum loss of 0.02 ounces subjected to 200 revolutions on a Taber Abraser at 77°F , using H-22 calibrate wheels, weighted to 17.6 ounces. The wearing surface should be kept wet with distilled water throughout the test. The panel for this test shall be prepared by forming a representative lot of material at a thickness of 125 mil on a 4 inch square panel (thickness 0.050 ± 0.001 inch) on which a suitable primer has been previously applied.

12. Low Temperature Impact Resistance. The materials shall not fracture when subjected to an impact of 64 inch pounds at -4°F for at least 3 hours. The panel is then placed in an instrument also maintained at -4°F , consisting of a 10.5 pound freely falling weight controlled to drop vertically for 6 inches onto the surface of the panel, which it strikes with a hemispherical indenter having a radius of 0.28 inches.

13. Water Absorption. Materials shall have a maximum of 0.5 percent by weight of retained water when tested by ASTM D570, procedure (A).

14. Yellowness Index. The white thermoplastic material shall not exceed a yellowness index of 0.15.

15. Flash Point. The thermoplastic material shall have a flash point not less than 475°F when tested in accordance with ASTM D92.

16. Cracking Resistance. After heating the thermoplastic material for 4 hours \pm 5 minutes at $425 \pm 3^\circ\text{F}$; applying to concrete blocks, and cooling $15 \pm 3^\circ\text{F}$, the material shall show no cracks. Properly applied, the material shall show less than six stress cracks per ten lineal feet of markings independent of pavement fracturing and faulting, for at least six months.

d. Aggressive Bond Thermoplastic Pavement Markings. This specification covers a white and yellow adhesive thermoplastic reflectorized pavement marking material that is applied to road surfaces, including Portland Cement Concrete (PCC) and aged asphalt without need of a primer/sealer. The material is applied to the road surface in a molten state by mechanical means with surface application of glass beads. Upon cooling to normal pavement temperature, it produces an adherent reflectorized stripe of specified thickness and width with limited thermal/seasonal deformation. In order to qualify as a non-sealer thermoplastic that can be applied to concrete surfaces without a sealer, the material must meet or exceed the requirements listed below.

1. Characteristics. The thermoplastic material shall be homogeneously composed of pigments, resins, polymers (adhesive constituent), glass reflectorizing spheres and other fillers.

The thermoplastic material shall be available in a variety of surface delineation colors from the same manufacturer. The manufacturer shall have the option of formulating the material according to their own specifications. However, certain physical and chemical requirements specified must be satisfied in order to qualify as a non-primed striping application for PCC and aged asphalt surfaces.

The material shall not exude fumes which are toxic, or injurious to persons or properties upon heating to application temperature.

2. Specific Gravity. The specific gravity of the white and yellow thermoplastic pavement marking material shall not exceed 2.15.

3. Composition. The pigment, intermix reflectorizing spheres, and fillers shall be uniformly dispersed in the resin and polymer upon heating to application temperature. The material shall be free of dirt and foreign matter and must meet or exceed the compositional requirements (percentage by weight) indicated below. The total resin/binder content must be 22% min – 26% max (weight) of total product ingredients.

Test Component	White	Yellow (Lead Chromate)	Yellow (Heavy Metal Free)
Glass Beads	30% min	30% min	30% min
Pigment- TiO2	10% min	N/A	N/A
Yellow (PbCrO3)	N/A	2% min	N/A
Organic Yellow	N/A	N/A	Federal Color
Resin/Binder Content	22% min	22% min	22% min
Inert Fillers	42.0 max	50.0 max	At manufacturer's discretion

4. Color. The thermoplastic material after heating for four hours ± 5 min. at $425 \pm 3^\circ\text{F}$ and cooled to $77 \pm 3^\circ\text{F}$ shall meet the following:

White: Daylight reflectance at 45 degrees – 0 degrees – 80% min.

Yellow: Daylight reflectance at 45 degrees – 0 degrees – 45% min.

Yellow color shall match Federal Test Standard Number 5958 – Color 13538 and lie within the following ranges:

X	0.485-0.510
Y	0.445-0.470

The chromaticities and luminance factors of ordinary colors of retroreflecting material shall be determined under an angle of illumination of 45 degrees; direction of view perpendicular to surface; and illumination CIE standard illuminant D65.

5. Bond Strength. After heating the thermoplastic material for four hours ± 5 minutes at $425 \pm 3^\circ\text{F}$, the bond strength to Portland Cement Concrete (PCC) shall equal or exceed 275 psi (ASTM D4796 or ASTM C321). Failures of type described in Section 6.1 of ASTM D4796 bond test, must be repeated to obtain a quantifiable number. Failure of types 6.2, 6.3, and 6.4 of ASTM D4796 bond test, must exceed the specified thermoplastic – cement brick separation.

6. Low Temperatures Cracking (Stress) Resistance for Extended Period. The material shall be tested according to AASHTO T 250 Section 7 with Section 7.2.3. modified for an extended cold temperature of $15 \pm 3^\circ\text{F}$ exposure period of 72 hours. Any cracking shall constitute failure of the material to qualify as a non-sealer aggressive bonding material for PCC road surfaces.

7. Impact Resistance (Gardner Falling Weight). Perform the testing procedure according to ASTM D5420 Section 11. Record and report the type of failure as (a) crack or cracks on the surface, (b) cracks that penetrate the entire thickness, (c) brittle shatter (the test specimen in several pieces after impact), or (d) ductile failure (the specimen is penetrated by a blunt tear).

Both the yellow and white non-sealer materials shall have minimum impact resistance of 80 inch pounds with no visible surface cracks.

8. Impact Resistance (Notched Izod). After heating the material for four hours ± 5 minutes at $425 \pm 3^\circ\text{F}$ and forming test specimens according to AASHTO T 250 Section 8, both the yellow and white samples shall be a minimum notched impact resistance of 11.0 ± 0.3 inch pounds. The specimens shall be tested both at room temperature $73.4 \pm 3^\circ\text{F}$ and low temperature of $15 \pm 3^\circ\text{F}$ in accordance with ASTM D256 test method A.

9. Oil and Grease Resistance. The thermoplastic material shall show no signs of deterioration or solubility after motor oil is rubbed vigorously into a sample for 2 minutes and allowed to penetrate for 5 minutes.

10. Set Time. When applied at a temperature range of $412.5 \pm 12.5^\circ\text{F}$ and thickness of 90 to 125 mil the material shall set to bear traffic in not more than 2

minutes when the air temperature is $50 \pm 3^{\circ}\text{F}$ and not more than ten minutes when the air temperature is $90 \pm 3^{\circ}\text{F}$.

11. Flash Point. The thermoplastic material shall have a flash point of not less than 500°F when tested in accordance with ASTM D92 .

12. Storage Life. The material shall maintain the requirements of this specification for a minimum period of one year. The thermoplastic material must melt uniformly with no evidence of skins or unmelted particles for this one year time period. Any material failing to do so shall be replaced by the manufacturer at their expense.

13. Packaging and Marking. The thermoplastic material shall be packaged in suitable containers to which it will not adhere during shipment and storage. The container of thermoplastic material shall weigh approximately 50 lb. Each container shall designate user information, manufacturer's name and address, batch number and date of manufacture. Each batch manufactured shall have its own separate number. The label shall carry appropriate user warnings and instructions.

14. NTPEP Test Program. The material must have been applied, without surface primer, on two NTPEP Decks (PCC) and evaluated for a period of at least one year. A minimum of 90% of the original pavement striping must be intact on the PCC decks after a one-year review period. The percent retention is calculated based on the measured test area square footage (square meter) (neglecting mil thickness wear down) minus the road surface areas that are exposed due to cracking and chipping away of thermoplastic from the concrete surface caused by product bond failure to the substrate.

e. Preformed Thermoplastic Pavement Markings. This specification is for the furnishing of retroreflective preformed thermoplastic pavement marking materials that can be adhered to asphalt, concrete and Portland cement concrete pavements by means of heat fusion. The applied markings shall be very durable, oil and grease impervious and provide immediate and continuing retroreflectivity.

1. Characteristics. The preformed marking material shall consist of a resilient white and yellow polymer thermoplastic with uniformly distributed glass beads throughout its entire cross section.

Preformed words and symbols shall conform to the applicable shapes and sizes as prescribed in the latest revision of the Manual on Uniform Traffic Control Devices.

The preformed markings shall be fusible to asphalt concrete and Portland cement concrete pavements by means of the normal heat of a propane type of torch. Adhesives, primers or sealers shall not be used prior to the preformed marking application on asphalt concrete and Portland cement concrete pavements.

The preformed markings shall conform to pavement contours, breaks and faults through the action of traffic at normal pavement temperatures. The markings shall have resealing characteristics and be capable of fusing to itself and previously applied worn hydrocarbon and/or alkyd thermoplastic pavement markings.

The preformed markings shall be capable of application on new, dense and open graded asphalt concrete wearing courses during the paving operation in accordance with the manufacturer's instructions. After application, the markings shall be immediately ready for traffic. The preformed markings shall be suitable for use for one year after the date of receipt when stored in accordance with the manufacturer's recommendations.

The preformed markings shall be capable of application on new, dense and open graded asphalt concrete wearing courses during the paving operation in accordance with the manufacturer's instructions. After application, the markings shall be immediately ready for traffic. The preformed markings shall be suitable for use for one year after the date of receipt when stored in accordance with the manufacturer's recommendations.

The preformed thermoplastic markings shall not be brittle and must be sufficiently cohesive and flexible at temperatures exceeding 50°F for one person to carry without the danger of fracturing the material prior to application.

2. Composition. The retroreflective pliant polymer thermoplastic pavement markings shall consist of a homogeneous mixture of high quality polymeric thermoplastic binders, pigments, fillers and glass beads. The thermoplastic material must conform to AASHTO designation M 249 with the exception of the relevant differences due to the material being supplied in a preformed state.

3. Glass Beads. The markings shall contain 30% glass spheres which shall conform to AASHTO M 247 Type 1, except that glass spheres shall have a minimum of 70% true spheres on each sieve and 80% true spheres overall. The glass beads must be homogeneously blended throughout the material with a securely bonded protruding exposed layer of beads that provide immediate and continuous retroreflectivity; no additional glass beads shall be dropped on the material during application. Curved arrows must be available without protruding glass beads if reversibility is needed.

4. Retroreflectivity. The preformed marking shall upon application exhibit uniform adequate nighttime retroreflectivity. At 86 degree 30 minutes incidence angle and 1 degree 30 minutes divergence angle, the markings shall have average minimum intensities of 350 millicandelas for white and 175 millicandelas for yellow as measured with a Mirolux retroreflectometer. Using a Taber Abraser with an H-18 wheel and a 4.4 ounce load, the sample shall be inspected at 200 cycles, under a microscope, to observe the extent and type of bead failure. No more than 15% of the beads shall be lost due to popout and the predominant mode of failure shall be "wear down" of the beads.

5. Color Characteristics. The thermoplastic material without glass beads shall meet the following:

White: Daylight reflectance at 45-degree/ 0 degree of 80% minimum

Yellow: Daylight reflectance at 45-degree/ 0 degree of 45% minimum.

The daylight reflectance shall not change significantly when the preformed thermoplastic is properly applied to the roadway surface. For highway use, the white markings shall contain a minimum of 8% by weight of Titanium Dioxide pigment to ensure a color similar to Federal Highway White, Color No. 17886 Standard 595. Yellow color shall reasonably match color chip Number 13538 of Federal Standard number 595 and be lead free.

6. Skid Resistance. The surface of the preformed thermoplastic markings shall provide a minimum skid resistance value of 45 BPN when tested according to ASTM E303.

7. Thickness. The width of the supplied material shall have a minimum average thickness of 90 mils.

8. Flexibility. The preformed thermoplastic marking material shall have flexibility at 50°F such that no cracking occurs in the test sample when a 1 inch by 6 inches sample is bent through an arc of 90 degrees at a uniform rate in 10 seconds (9 seconds per degree) over a one inch mandrel. The sample must be conditioned prior to testing at $50 \pm 2^\circ\text{F}$ for a minimum of four hours. At least two specimens tested must meet the flexibility requirements at 50°F for a passing result.

9. Environmental Resistance. The applied markings shall be resistant to deterioration due to exposure to sunlight, water, oil, diesel fuels, gasoline, pavement oil content, salt and adverse weather conditions.

10. Effective Performance Life. When properly applied, in accordance with the manufacturer's instructions, the pavement markings shall be neat and durable. The markings shall remain retroreflective and show no fading, lifting, shrinkage, tearing, roll back or other signs of poor adhesion.

f. Cold Plastic Pavement Markings. This specification covers a white and yellow pre-formed cold plastic reflectorized pavement marking material of a type that is applied to a road surface by an inlaid, pre-coated pressure sensitive adhesive that produces an adherent reflectorized stripe of specified thickness and width and is capable of resisting deformation.

1. Characteristics. The material shall be manufactured without the use of lead-chromate pigments or other, similar, lead-containing chemicals. Glass beads shall be incorporated to provide immediate and continuing retroreflection.

Ceramic skid particles shall be bonded to the top layer to provide a skid-resistant surface.

Preformed word and symbol markings shall conform to the applicable shapes and sizes as outlined in the Manual on Uniform Traffic Control Devices. The preformed markings shall be capable of being adhered to pavements by an inlaid, pre-coated pressure sensitive adhesive. A surface preparation adhesive may be used to precondition the inlay pavement surface.

The preformed marking film shall mold itself to pavement contours by the action of traffic. Following proper inlay application and tamping, the markings shall be immediately ready for traffic.

2. Composition. The retroreflective pavement marking film shall consist of a mixture of high quality polymeric materials, pigments and glass beads distributed throughout its base cross sectional area. A reflective layer of glass beads and a layer of skid resistant ceramic particles shall be bonded to the top urethane wearing surface. The urethane wear surface shall have a nominal thickness of 0.005 inches. The film shall have a pre-coated, shear resistant, pressure sensitive adhesive.

3. Color. The daytime color of the white film shall provide a minimum initial luminance factor, Y, of 80 and shall conform to the following chromaticity requirements:

White		Yellow	
X Values	Y Values	X Values	Y Values
0.290	0.315	0.474	0.455
0.310	0.295	0.491	0.435
0.330	0.360	0.512	0.486
0.350	0.340	0.536	0.463

The daytime color of the yellow film shall provide an initial luminance factor, Y, in a range of 36 to 59 and shall conform to the above chromaticity requirements:

Measurements shall be made in accordance with ASTM E1349, using illuminant "C" and 0/45 (45/0) geometry. Calculations shall be in accordance with ASTM E308 for the 2-degree observer.

4. Reflectance. The white and yellow films shall have the following initial minimum reflectance values as measured in accordance with the testing procedures of ASTM D4061. The photometric quantity to be measured shall be coefficient of retroreflected luminance (RL) and shall be expressed as millicandelas per square foot per foot-candle.

	White			Yellow		
Entrance Angle	86.0°	86.0°	86.5°	86.0°	86.0°	86.5°
Observation Angle	0.2°	0.5°	1.0°	0.2°	0.5°	1.0°
Retroreflected Luminance R _L (mcd-ft ⁻² -fc ⁻¹)	700	500	400	410	250	175

5. Skid Resistance. The surface of the retroreflective films shall provide an initial minimum skid resistance value of 55 BPN as measured by the British Portable Skid Tester in accordance with ASTM E303.

The surface of the retroreflective film shall retain an average skid resistance value of 45 BPN, when tested in accordance with ASTM E303, for a period of one year when installed in non-snow removal areas. The 45 BPN minimum value shall be an average of several readings taken in both the wheel track and non-wheel track areas.

6. Tensile Strength and Elongation. The film shall have a minimum tensile strength of 150 lbs. per square inch of cross-section when measured in the direction of the length of the roll and tested in accordance to ASTM D638, except that a sample 6 inch x 1 inch shall be tested at a temperature between 70°F and 80°F using a jaw speed of 10 to 12 inches per minute. The sample shall have a maximum elongation of 50% at break when tested by this method.

7. Reflectivity Retention. The glass beads must be strongly bonded and not be easily removed by traffic wear. Using a Taber Abraser with an H-18 wheel and a 4.4 ounce load, the sample shall be inspected at 200 cycles, under a microscope, to observe the extent and type of bead failure. No more that 15% of the beads shall be lost due to popout and the predominant mode of failure shall be “wear down” of the beads.

8. Glass Beads. The size, quality and refractive index of the glass beads shall be such that the performance requirements for the markings shall be met. The bead adhesion shall be such that beads are not easily removed when the material surface is scratched.

The film shall have glass bead retention qualities such that when a 2 inches by 6 inches sample is bent over a 1/2 inch diameter mandrel, with the 2 inch dimension perpendicular to the mandrel axis, microscopic examination of the area on the mandrel shall show no more than 10% of the beads with entrapment by the binder of less than 40%.

9. Thickness. The film, without adhesive, shall have a minimum thickness of 60 mil.

g. Lead-Free, Water-Borne Emulsion Based White and Yellow Traffic Paint. The pavement marking paint shall be a rapid dry. The traffic paint shall provide optimum adhesion for glass spheres when both binder and glass spheres are applied in the recommended quantities.

1. Drying Time. When applied at a wet film thickness of 15 mils with a top dressing of 6–10 pounds of glass spheres per gallon of paint and when the pavement temperature is between 50°F and 120°F and the relative humidity doesn't exceed 80%, the binder shall dry to a no-tracking condition in a minimum of 20 seconds and a maximum of 60 seconds. These dry times shall not be exceeded when the paint is applied with specialized equipment so as to have the pigmented binder at a temperature of 150°F to 170°F at the spray gun.

The no-tracking condition shall be determined by passing over the applied line in a simulated passing maneuver with a passenger car traveling 35 MPH. There shall be no visual deposition of the paint to the pavement surface when viewed from a distance of 50 feet. Furthermore, the pigmented binder, without glass spheres, shall dry to no-tracking condition in 180 seconds or less when tested in accordance with ASTM D711.

2. Directional Reflectance. The daylight directional reflectance of white pigmented binder (without glass spheres) shall be not less than 85% relative to magnesium oxide when tested in accordance with Federal Test Method Standard No. 141a, Method 6121. If yellow, after drying shall suitably match color 33538 of Federal Standard 595.

The paint for the pavement markings shall contain no lead and/or chromium and shall have volatile organic content conforming to the latest Environmental Protection Agency regulation.

The paint shall show no cracking, flaking, blistering, appreciable loss of adhesion, softening, coagulation, discoloration, and have a minimum bleeding ratio of 0.97 when tested in accordance with Federal Specification TT-P-1952B.

The paint shall be capable of dilution with water at all levels without curdling or precipitation such that the wet paint can be readily cleaned up with water only.

The minimum contrast ratio shall be 0.96 when drawing down with a 0.005 mil film applicator on a 2A Leneta Chart or equal and air-dried for 24 hours.
Contrast Ratio = Black/White.

h. Temporary Tape. This specification covers pavement marking tape of two colors, white and yellow, and of two types, Type I and Type II:

Type I—Regular (This type is not required to be easily removable intact.)

Type II–Removable (This type is to be readily removable intact, either manually or with a roll–up device after having been in place through the construction season.)

1. General. This material shall be a pavement striping tape designed to provide reflective delineation under both dry and moderate rainfall conditions. The tape shall consist of glass spheres tightly embedded to a binder; on a conformable backing pre-coated with a pressure sensitive adhesive. The striping material shall be thin, flexible, formable and following application shall remain conformed to the texture of the pavement surface. The tape shall be furnished in the color and type designated on the Plans or in the Contract. The markings shall be pre-coated with a pressure sensitive adhesive and shall be capable of being adhered to asphalt concrete or Portland cement concrete in accordance with manufacturer's instructions without the use of heat, solvents or other additional adhesive means, and shall be immediately ready for traffic after application. The adhesive shall not require a liner or release paper. The striping material shall have a uniform appearance, free from cracks and the edges shall be true, straight and unbroken. The material shall be weather resistant and show no appreciable fading, lifting or shrinkage when applied in accordance with the manufacturer's recommendations.
2. Color and Daylight Reflectance. The daylight reflectance (ASTM E1347) of white shall be not less than 70%. The color of yellow shall be within the red and green tolerance limits of the Highway Yellow Color Tolerance Chart issued by the U.S. Department of Transportation.
3. Dimensions. The width and length shall be as shown on the Plans or in the Contract. The material shall be available in rolls and there shall be no more than three splices per 50 yards of length.
4. Packaging. The material shall be packaged in accordance with accepted commercial standards and when stored under normal conditions, shall be suitable for use for a period of at least one year after purchase.
5. Adhesion. The material shall adhere to asphalt and concrete surfaces when applied according to manufacturer's recommendations at surface temperatures above 50°F and shall be immediately ready for traffic following application.
6. Removability. Type II tape shall be removable from asphalt and Portland cement concrete intact or in large pieces, either manually or with a roll–up device, at temperatures above 40°F without use of heat, solvents, grinding or blasting.
7. Reflection. The white and yellow material shall be retroreflective, reflecting white or yellow respectively and shall be readily visible at night when viewed with automobile headlamps using high beams from a distance of at least 300 feet.

8. Durability. Type II material shall maintain adhesion, show no alligating, show no signs of pulling apart, and shall suffer no more than a 25% loss of beads, sand and grit when subjected to 30,000 revolutions on a small-wheel circular track as described in ASTM E660, with the following variations or exceptions:

i. Two opposite wheels mounted with Goodyear 3.40-5 NHS Industrial Rib tires shall be used with a total load of 51.5 pounds on each tire. Tire air pressure shall be maintained at 25 psi. The wheels shall be mounted perpendicular to the specimens and toed out 2° to produce a slight abrading action.

ii. Specimens shall be applied to 6 inch diameter dense graded bituminous concrete surface which has been compacted at 3000 psi for two minutes. After application, the specimens shall be allowed to cure at least 16 hours before beginning the test.

i. Epoxy. This specification is for the application of epoxy resin and glass beads as reflective pavement markings on Portland cement concrete or bituminous pavements. The epoxy resin material shall be toxic heavy metal free, two-component, 100% solids, and shall be formulated and tested to perform as a pavement marking material with glass spheres applied to the surface. The two components are an epoxy resin and an amine curing agent. The Contractor shall provide complete manufacturer's specifications and material safety data sheets to the Engineer for all material furnished.

1. Characteristics. The material shall not exude toxic fumes when heated to application temperature. The material which, when mixed in the proper ratio and applied at 14 mil wet film thickness at 74.8°F with the proper saturation of glass beads, has a no-tracking time of less than 40 minutes for slow curing material and less than 10 minutes for rapid curing material. The material shall be capable of fully curing under a constant surface temperature of 32°F or above.

2. Properties of Cured Material.

i. Color. Provide white which complies with Federal Standard 595 17875. Provide yellow which matches the standard shade within the red and green tolerance limits when compared with the Highway Yellow Color Tolerance chart available from the U.S. Department of Transportation (Federal Standard 595 13538).

ii. Abrasion Resistance. 0.0028 ounces maximum loss when tested at 30 ± 1.5 mils and a 72 hour cure and with a CS-17 wheel under a load of 2.2 lbs. for 1000 cycles.

iii. Hardness. Shore D hardness of 75 minimum.

iv. Adhesion to Concrete. When catalyzed, has such a high degree of adhesion to the specified concrete surface that there is a 100% concrete

failure. Apply the material at a film thickness of 15 ± 1.5 mils to concrete with a minimum compressive strength of 4,000 psi. Allow the material to cure for 72 hours at 77°F before the test is performed.

v. Yellowness Index. White only. Value after 72 hours in QUV – 30 maximum when tested at 15 ± 1.0 mils and a 72 hour cure.

vi. Field Evaluation. Field test materials at AASHTO NTPEP regional test facilities, which include both hot and cold weather conditions and are a minimum of six months in duration.

3. Glass Beads For Drop–On Application (double drop system):

i. For the first drop, furnish large beads, which are compatible with the epoxy system, and comply with AASHTO M 247 except with the following gradation (FP–96, Type 4):

Sieve Size	Percent Passing
No. 10	100
No. 12	95-100
No. 14	80-95
No. 16	10-40
No. 18	0-5
No. 20	0-2

ii. For the second drop, furnish regular beads which are specifically manufactured to be compatible with the epoxy system, and which comply with the requirements of AASHTO M247, Type 1.

iii. Both types of beads are to be coated with a moisture resistant coating and an adhesion promoting coating which is compatible with the epoxy system.

4. Test Methods.

a. Adhesion to Concrete ACI 503, Appendix A.1.

b. Hardness ASTM D2240.

c. Abrasion Resistance ASTM C501.

242.6. Method of Installation. The proposed permanent markings shall be laid out by the Contractor in advance of the marking installation. Markings shall not be applied until the layout and conditions of the surface have been approved by the Engineer. If a paint line is used for layout purposes (in lieu of a chalk line or string line) the paint line shall not be wider than 1/2 inch in width. If wider, the paint shall be removed following the application of the final permanent marking. New markings shall match existing markings as applicable in areas abutting

existing road surfaces. The surface shall be dry and all dust, debris, oil, grease, dirt, temporary markings and other foreign matter shall be removed from the road surface prior to the application of the permanent marking material.

The Contractor shall be responsible for keeping traffic off freshly applied markings until they have set sufficiently to bear traffic. Traffic control is the responsibility of the Contractor and shall conform to the MUTCD. Failure to comply with traffic control guidelines will result in the Pavement Marking Contractor being directed to stop operations and leave the site until proper and approved traffic control has arrived and put in place on site.

Temporary pavement markings shall be installed the same day that the existing pavement markings are damaged, removed or covered up prior to lane opening. Temporary pavement markings shall be installed using the same cycle length as the permanent markings and be at least 2 feet long. Double yellow markings shall be used for temporary centerline and single white markings shall be used for temporary lane lines on four lane roadways. Single yellow markings shall be used for temporary centerline on two lane roadways as directed by the Engineer.

Half-cycle lengths with a minimum of 2-foot stripe and 10 foot gap should be used on roadways with severe curvature.

a. Glass Spheres. The drop on glass beads shall be applied at a rate of eight to ten pounds per 100 square feet.

b. Thermoplastic Pavement Markings. Thermoplastic material shall readily apply to the pavement at temperatures of 400 – 425°F from approved equipment to produce an extruded line that shall be continuous and uniform in shape having clear and sharp dimensions. Application temperatures shall not exceed 450°F.

Thermoplastic may be used for cross walks and stop bars as specified under the conditions described herein. The thermoplastic markings shall be applied to the pavement surface in a molten state by mechanical means with surface application of glass spheres, and upon cooling to normal pavement temperature, produce an adherent retro-reflectORIZED stripe of specified thickness and width and capable of resisting deformation.

1. Equipment. The equipment used to install the thermoplastic shall be as follows:

i. A self-propelled machine is required in order to fulfill the timing needs of the marking installation for longitudinal lines.

ii. If thermoplastic is used for transverse lines, i.e., crosswalks and stop lines, a push cart shall be used according to the following requirements:

Only one pass with the thermoplastic pavement marking equipment shall be allowed in order to provide the required line width according to the plans. Multiple passes of narrower lines with overlaps to provide the required width shall not be allowed unless otherwise approved

by the inspector after review of a test strip installation. If approved, the Contractor shall be required to heat the seam with a torch and feather the overlapped material with a putty knife. Liquid thermoplastic shall not be used for word or symbol markings.

iii. Constructed to provide mixing and agitation of the materials. Conveying parts between the main material reservoir and the shaping die shall be constructed as to prevent accumulation and clogging.

iv. Constructed so that mixing and conveying parts up to and including the shaping die will maintain the materials at a temperature not less than 400 – 450°F. To assure that the material does not fall below the minimum temperature, the shaping die shall be heated by means of a gas-fired infrared heater or a heated, oil-jacketed system.

v. Constructed as to ensure continuous uniformity in the dimensions of the stripe. The applicator shall provide a means for cleanly cutting off square stripe ends and shall provide a method of applying “skip” lines. The equipment shall be constructed to be able to provide for varying die widths and to produce varying widths of traffic markings. The use of pans, aprons, or similar appliances with die overruns will not be permitted.

vi. All conditions apply as stated above for material temperatures, line definition and workmanship when a hand pushcart is used for cross walks. The Inspector will verify measurement.

vii. Equipped with a special kettle for melting and heating the material shall be provided. The kettle shall be equipped with a thermostat so that heating can be done by controlled heat transfer liquid rather than by direct flame so as to provide positive temperature control and prevent overheating of the material.

viii. Constructed for a nominal application of 90 – 125 mil thickness.

ix. The heater and applicator shall be so equipped and arranged as to meet the requirements of the National Board of Fire Underwriters of the National Fire Protection Association, of the state, and of the local authorities.

x. Equipped with an automatic glass bead dispenser attached to the striping machine in such a manner that the beads are dispensed almost instantaneously upon the installed line. The glass bead dispenser shall be equipped with an automatic cut-off control synchronized with the cut-off of the thermoplastic material.

xi. The equipment shall be arranged as to permit preheating of the pavement immediately prior to application of the thermoplastic material, if preheating is recommended by the thermoplastic manufacturer.

xii. The applicator shall be capable of containing a minimum of 1000 pounds of molten material (not applicable for hand–liner use).

xiii. The applicator shall be mobile and maneuverable to the extent that straight lines can be followed and normal curves can be made in a true arc.

xiv. The Contractor’s striper shall be equipped with electrical foot counters. The counters shall individually tabulate the length of line applied by each gun whether solid or dashed. The Contractor shall determine the accuracy of the foot counters and establish an adjustment factor as required to determine the pay item quantities. The foot counters shall be periodically checked to assure accurate measurements. No thermoplastic shall be applied without the accurate operation of the foot counters. The Contractor shall provide the Engineer with a certified document on these calibrations.

2. Application Over Existing Markings.

i. Existing thermoplastic markings on asphalt road surfaces may be over laid with thermoplastic material providing that the existing markings (thermoplastic) are less than 30 mils thick, and are securely bonded to the substrate. If the thermoplastic is greater than 30 mils, or not securely bonded to the substrate, then it shall be ground to 30 mils, or removed completely if not securely bonded to the road.

ii. Existing solvent based paint on asphalt road surfaces may be over laid with thermoplastic provided that more than 75% of the road surface is exposed, and there is no more than a single coat of paint on the remaining unexposed area. If more than one layer of paint exists, the paint is not securely anchored to the substrate, or there is less than 75% of the road surface exposed, then the paint must be thoroughly removed.

iii. All existing polyester, epoxy, or other type pavement marking paints on asphalt or concrete road surfaces must be completely removed from all road surfaces prior to the installation of thermoplastic material.

3. Application Temperatures. To ensure optimum adhesion, the pavement and ambient air temperature shall be 50°F and rising. The thermoplastic material shall be applied in a melted state at a temperature of 400 – 425°F. The temperature of the material within the shaping dies shall be maintained at the manufacturer’s recommendations for application temperatures, but in no case shall the temperature fall below 400°F or exceed 450°F.

Where manufacturer’s application temperatures differ from those as specified, the manufacturer’s temperatures shall apply upon approval of the Engineer.

4. Line Quality. The finished lines shall have well defined edges and be free of waviness. Pavement marking lines shall be straight or of uniform curvature and shall conform with the tangents, curves, and transitions as specified in the pavement marking standards and/or as directed by the Inspector.
 5. Line Thickness. The minimum thickness of the lines as viewed from a lateral cross section shall be not less than 90 mil near the edges, or less than 125 mil at the center. Drop-on glass beads shall not be included in the measurement, or if so, then appropriate allowances shall be made for the added mil thickness. A device for gauging the installed material thickness shall be furnished to the Engineer as requested for use on the project. The gauge shall be easy to read and shall readily indicate excessive variations.
 6. Clean Up. The Contractor shall be responsible for removing all pavement markings material spilled upon the roadway surface or adjoining area. The Contractor shall use methods acceptable to the Engineer for removing the spilled material.
 7. Line Repair. Any pavement marking which is crossed by a vehicle and tracked shall be replaced and any subsequent marking made by the vehicle shall be removed by methods acceptable to the Engineer at no additional cost to the City.
- c. Preformed Thermoplastic Pavement Markings. The markings shall be applied in accordance with the manufacturer's recommendations on clean and dry surfaces.
1. Asphalt. The materials shall be applied using the propane torch method recommended by the manufacturer. The material must be able to be applied at ambient and road temperatures down to 32°F without any preheating of the pavement to a specific temperature. The pavement shall be clean, dry and free of debris and oil or grease residue.
 - i. At temperatures below 50°F, the preformed thermoplastic pavement markings shall be kept as warm as possible to maintain flexibility.
 - ii. Remove pavement surface moisture by holding a propane torch approximately 6 inches above the section of asphalt using a continuous circular motion.
 - iii. Heat the pavement with the torch upon placing the material to a temperature of 200°F for 90 mil, and up to 300°F for 125 mil materials.
 - iv. Immediately after the road surface has been properly preheated, position the material with exposed bead side up and heat.
 - v. Position the torch approximately 12 inches over the marking so the flame is extended and heat is evenly applied moving the torch in a circular

motion across the marking. When the correct temperature of the marking has been reached, it will turn slightly darker or pale yellow if the material is white. Over heated or burned material shall be removed.

vi. After the entire material section has been heated and bonded to the pavement, re-heat the perimeter of the marking and the road surface to bond the edges.

vii. If installing reversible arrows, which do not contain a top coating of glass beads, the glass spheres shall be hand applied on the molten material.

viii. Feather the leading edge of the pavement marking with a putty knife or bevel with the torch. Leading edges are any edge that would be susceptible to snow plow blades approaching from the direction of normal travel.

ix. After cooling, use a putty knife to attempt to remove a portion of the material. The material shall not pry off without asphalt embedded to the underside.

2. Concrete. New concrete surfaces must be sandblasted to entirely remove curing compound. The same application procedure shall be used as described for asphalt pavements. However, a compatible primer sealer may be applied before application to assure proper adhesion.

3. Chip Seal Surfaces. The same application procedure shall be used as described for asphalt pavements. However, exposed aggregate should be removed where the preformed thermoplastic pavement marking is to be applied.

d. Cold Plastic Pavement Markings. The Contractor shall furnish and install white and yellow permanent retro-reflectorized cold preformed plastic pavement marking material at the location shown on the plans, in conformance with the details and material specifications included herein.

The cold plastic markings shall consist of a homogeneous, extruded, prefabricated material of specified thickness and width which shall contain reflective glass spheres uniformly distributed throughout the cross section, and shall be applied only to concrete pavement surfaces by means of an approved inlaid grinding process with pre-coated adhesive and pressure.

1. Contractor's Personnel. It is important that the Contractor's personnel be completely knowledgeable of all application requirements and procedures prior to product application. It is the responsibility of the Contractor to contact the supplier of the cold plastic material if questions regarding application procedures or conditions arise.

2. Procedure. This procedure explains how to apply tape to concrete surfaces only. Apply the tape according to manufacturer's instruction in conjunction with an approved inlaid grinding method.

3. Road Conditions. It is recommended that the tape be installed as soon as practical following tape manufacturer instructions.

i. Cold plastic pavement markings shall be inlaid by an approved grooving process into concrete pavement surfaces. Cold plastic will not be allowed on asphalt pavement surfaces whether inlaid into hot asphalt or existing asphalt surfaces. Grooving the pavement surface allows preformed pavement marking tape to better adhere by creating a fresh surface. Grooving also produces a lower profile marking by embedding the tape into the pavement surface, which helps protect the tape from snowplow damage.

ii. The cutting head shall consist of diamond tipped cutting blades "gang stacked" 0.25 inches to 0.50 inches wide. The spacers between each blade must be such that there is less than a 10 mil raise in the finished groove between the blades. Water-cooling the blades may be necessary for long line grooving.

iii. The groove width shall be equal to the tape width plus 1 inch $\pm 1/8$ inch. The depth of the groove shall be 75% of the tape thickness $\pm 15\%$. For series 420, 60 mil tapes, the groove shall be 45 mils ± 10 mils or 0.05 inch ± 0.01 inch. The bottom of the groove should have a smooth, flat surface. If a coarse tooth pattern is present, increase the number of blades and decrease the thickness of the spacers between the blades on the cutting head. If water-cooling is used, flush the groove immediately after grooving to clean the surface.

iv. Clean the surface of the road and the groove using a broom and/or high-pressure air blower. If either of these methods fail to clean the road surface, then high-pressure water wash shall be used. Road surface, including the surface of the groove must be dry and all dust, dirt, debris, oil, grease and foreign material removed before applying tape. If using water-cooling to groove, the groove must be completely dry prior to tape application.

4. Tape Application. If there is a crack in the pavement, or if the tape is to be applied over a bridge expansion joint, manhole or utility box, lay the tape over the crack joint or fitting, then cut the tape 1 inch away from the crack or joint on each side. Apply the required surface preparation adhesive and allow to dry completely (5–10 minutes at 70°F, but not over 30 minutes).

5. Tamping. Tamp the tape thoroughly with a tamping cart with a minimum 200 pound load, three times back and forth (six passes) over each part of the tape.

Start in the center of the marking and work out to the edges removing any trapped air.

6. Do not twist or turn the tamper cart on the tape.
7. Make six passes (three passes back and forth) over each part of the tape (tamping is very important).
8. Make sure all edges are firmly adhered.
9. Application Conditions.
 - i. Air temperature 60°F and rising.
 - ii. Surface temperature 70°F and rising.
 - iii. Overnight air temperature 40°F the night before tape application.
 - iv. Pavement surface must be clean and dry. No rainfall should occur within 24 hours prior to application.
 - v. Butt splices must be used; do not overlap tape ends.
 - vi. Traffic must be kept off of pavement surfaces coated with a surface preparation adhesive prior to tape application (follow manufacturer's instruction regarding the use of surface preparation adhesive).

10. Surface moisture. Cold preformed plastic tapes will not adhere if moisture is present. Therefore, road surfaces must be dry and above the minimum required temperature for application of all tapes. If rainfall occurs within 24 hours prior to application, a surface moisture test (plastic wrap or roofing paper method as approved by the Engineer) must be performed and approval obtained from the Engineer. The groove must be visibly dry for a minimum of two hours prior to application. A moisture test shall be completed after the two-hour drying time to ensure no presence of moisture.

e. Pavement Marking Paint. The Contractor shall furnish and install white and yellow retro-reflectORIZED pavement marking paint material at the location shown on the plans, in conformance with the details and material specifications included herein.

1. The wet thickness and dry thickness of the pavement marking paint shall not be less than 15 mils and 12 mils, respectively without glass beads.
2. Glass beads shall be applied uniformly over the entire length of line at the rate of 6 to 10 lbs. per gallon of paint.

3. The gun tip shall be oriented perpendicular to the centerline to ensure that the beginning and ends of all lines are perpendicular to the centerline and not skewed.
 4. The equipment shall be maintained such that the needle can be fully closed when shut as to ensure square cut lines at the beginning and ends.
- f. Epoxy Pavement Marking. The Contractor shall furnish and install white and yellow epoxy markings at the location shown on the plans, in conformance with the details and material specifications included herein.

1. Equipment.

- i. Use equipment that is capable of spraying both yellow and white epoxy in the manufacturer's recommended proportions. Provide equipment that call place stripes on the left and right sides, and place two lines simultaneously with either line in a solid or intermittent pattern in yellow or white. All guns must be in full view of operators at all times. If words, symbols, crosswalks, cross-hatching and stop bars are to be of epoxy resin material, equip the truck with a hand spray wand for such application. Mount the equipment on a truck of sufficient size and stability, and with an adequate power source, to produce lines of uniform dimension and prevent application failure. Provide equipment with metering devices to register the accumulated volume dispensed for each material, each day. Additionally, provide individual pressure gauges, clearly visible to the operator, for each pump used.

- ii. Provide equipment with two glass bead dispensers (double drop system) that uniformly distributes the glass beads to the surface of the epoxy pavement marking at a rate of at least 25 pounds per gallon. Glass beads may be applied by a pressure gun or controlled free fall.

2. Surface Preparation:

- i. On existing pavements, remove the existing pavement markings. Remove the existing markings and prepare the surface according to the manufacturer's recommendations (for the type of markings being installed).

- ii. On new Portland cement concrete pavement (PCCP), use shot blasting to remove curing compounds and laitance from the surfaces to which the pavement marking will be applied. Prepare the surfaces of new concrete bridge decks the same as new PCCP.

- iii. On all pavements, thoroughly remove all dirt, grit, grease, grime, vegetable matter, residue of prior pavement marking application (including such adhesives or primers that may have been used in their

application), and any other foreign matter from the roadway surface prior to the application of epoxy pavement markings.

3. Alignment. All layout required in the construction of the pavement marking is the responsibility of the Contractor. Lay out the pavement marking as detailed on the Plans. When the Plans do not provide details, submit a layout plan (conforming to the requirements of the Manual on Uniform Traffic Control Devices (MUTCD)) for the pavement markings to the Engineer for approval. Normally locate longitudinal pavement marking stripes 2 inches from existing longitudinal joints. Provide adequate guide marks (approximately 2 inches by 6 inches at approximately 30 to 50 ft. intervals) for the application of the pavement markings.

4. Pavement Marking Application.

i. When no traffic is present, and for edge lines under any condition of traffic, a slower curing epoxy material (40 minutes) may be used. When the application is taking place under traffic, use a fast setting (10 minutes) epoxy material for center lines and skip lines.

ii. Apply the epoxy material closely behind the cleaning procedure.

iii. Provide the Project Engineer with a copy of the manufacturer's application instructions. Apply the epoxy pavement markings in accordance with the manufacturer's recommendations. In the absence of manufacturer's recommendations, apply the markings when the ambient and pavement surface temperatures are 50°F and rising. Cease pavement marking operations when the ambient or the pavement surface temperature drops to 50°F.

iv. Before mixing the components of the pavement marking material, heat the individual components to the temperature ranges recommended by the manufacturer of the material. Avoid exceeding the maximum recommended temperature at any time.

v. Apply the epoxy pavement marking material at a thickness of 20 mils \pm 0.2 mils on asphalt and PCCP. Immediately apply the glass beads to the epoxy pavement marking at the rate of 25 pounds per gallon of epoxy, equally divided between the large and regular bead gradations. Apply the large beads on the first drop, and the regular beads on the second.

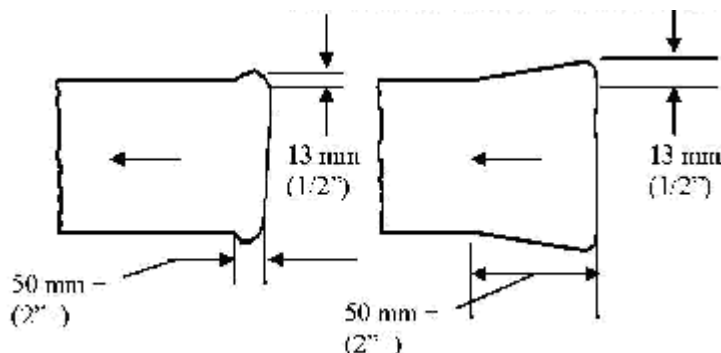
242.7. Method of Removal. Temporary pavement markings on milled surfaces scheduled to be overlaid do not have to be removed prior to performing the overlay. Permanent pavement markings installed on new asphalt surfaces shall be removed without structurally damaging the pavement or scarring the surface. The method of pavement marking tape removal shall be by a high pressure water blast method, a low pressure water and sand blast method, a

steel shot blast method, or burning method. Grinding or black paint covering shall not be allowed on new pavement surfaces.

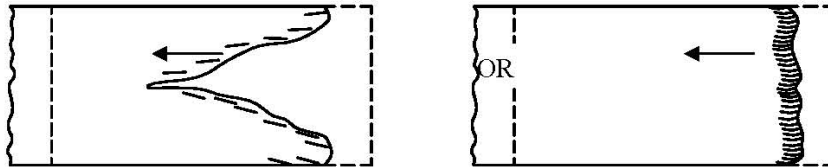
242.8. Performance Measures

a. Thermoplastic and Aggressive Bond Thermoplastic Performance Measures.

1. Lack of Specified Thickness. The full unit price bid per foot shall be withheld if lack of thickness is found more than three (3) times per 1 mile, or project if less than 1 mile in length. Each line shall be checked a minimum of six (6) times per 1 mile, or project if less than 1 mile in length.
2. Lack of Specified Width. Payment shall be made with penalty being equal to 25% of the unit price bid per foot for each 1/4 inch of width lacking not to exceed 100% of the unit price bid per foot for the length of the line less than specified width. Penalty shall be imposed upon the first occurrence and every occurrence thereafter.
3. Lack of Specified Length/Cycle. Payment shall be made with penalty being equal to 25% of the unit price bid per foot for each 1 inch of length lacking or exceeding the specified length for broken lane line and/or broken center line not to exceed 100% of the unit price bid per foot for the length of the line less than specified length. Penalty shall be imposed upon the first occurrence and every occurrence thereafter.
4. Lack/Excess of Surface Beads or Improper Application. The full unit price bid per foot shall be withheld for each lineal foot of material with inappropriate application rate of the surface glass beads. The same penalty shall apply if the beads are not evenly disbursed across and along a line or if the beads imbed improperly. This penalty shall be imposed for each instance that the Contractor fails to take corrective action after one warning by the Engineer.
5. Bell Ends. The full unit price bid per foot shall be withheld for wide “bell” ends greater in length than 2 inches. This penalty shall be for the full 6 feet of a lane line or broken centerline or for no more than 6 feet of a long line.

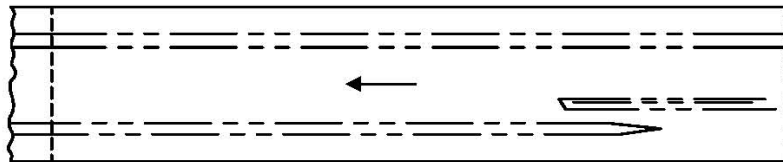


6. Lack of Adhesion. The full unit price bid per foot shall be withheld for 3 feet for each occurrence if found more than three (3) times per 1 mile, or project if less than 1 mile in length.

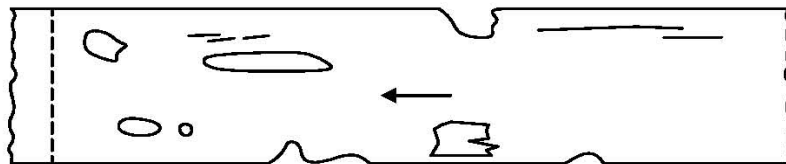


7. Line Deviation. A line that in the judgment of the Engineer deviates from the specified layout by an unreasonable amount shall be replaced. The Contractor shall be responsible for removal of the deviated marking material/repair of the pavement as designated by, and to the satisfaction of, the Engineer at no additional compensation.

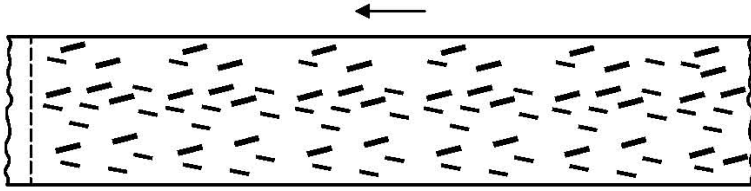
8. Pitted Line. The full unit price bid per foot shall be withheld for each pit greater than 10 feet in length.



9. Gaps in Line or Crumbly Edges. The full unit price bid per foot shall be withheld for the entire length of the portion of any line receiving less than the required amount of thermoplastic material. This penalty shall be imposed when the Contractor fails to correct line quality after the first warning within 1 mile, or project if less than 1 mile in length.



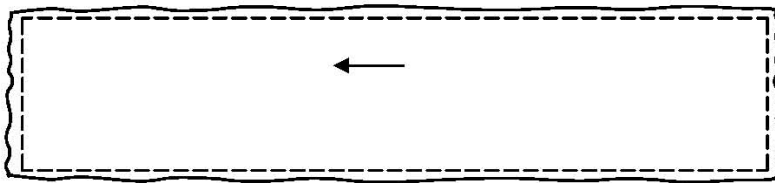
10. Rough Line Surface. The full unit price bid per foot shall be withheld for the entire length of the portion of any line with a rough or “burlap” surface. Penalty shall be imposed upon the first occurrence and every occurrence thereafter.



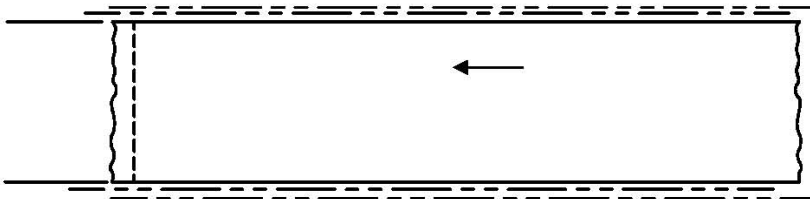
11. Excessive Dripping between Lines. The full unit price bid per foot shall be penalized for the length of any dribbled open space between broken lines that is not removed to the satisfaction of the Engineer before leaving the project site that work day. Penalty shall be imposed upon the first occurrence and every occurrence thereafter.



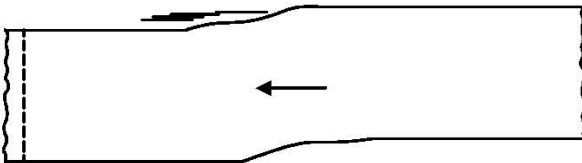
12. Swollen Line of Excessive Width. The full unit price bid per foot shall be penalized for swollen lines in excess of the specified width.



13. Smearred Line Edges. Fifty (50) percent of the unit price bid per foot shall be penalized for each occurrence of a length greater than 15 feet.



14. Wavy Line. The full unit price bid per foot shall be withheld for the entire length of waviness in a line caused by poor operation by the driver/operator of the application equipment. Penalty shall be imposed from the first occurrence.



15. Work Outside the Scope/Limits of Project: Payment for all pavement marking work performed shall be withheld in full until the Contractor (a) removes all pavement marking material placed outside the scope/limits of the project, and

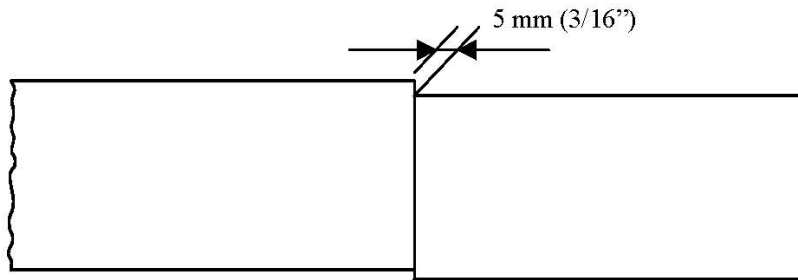
(b) repairs the pavement surface as directed by and to the satisfaction of the Engineer.

b. Preformed Thermoplastic Installation Performance Measures

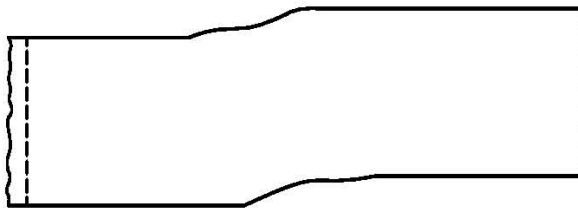
1. Lack/Excess of Surface Beads or Improper Application. The full unit price bid per foot shall be withheld for each lineal foot of material or per each for symbol markings with inappropriate application rate of the surface glass beads. The same penalty shall apply if the beads are not evenly disbursed across and along a line or if the beads imbed improperly. This penalty shall be imposed for each instance that the Contractor fails to take corrective action after one warning by the Engineer.

2. Lack of Adhesion. The full unit price bid per foot or per each for symbol markings shall be withheld for 3 feet for each occurrence if found more than three (3) times per 1 mile, or project if less than 1 mile in length.

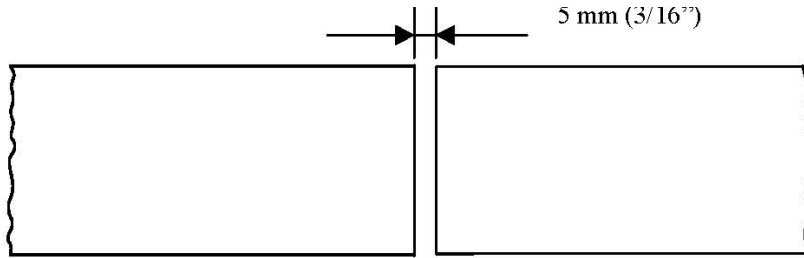
3. Line Deviation. A line that deviates from the specified layout by an unreasonable amount shall be replaced. The Contractor shall be responsible for removal of the deviated marking material/repair of the pavement as designated by, and to the satisfaction of, the Engineer at no additional compensation.



4. Wavy Line. The full unit price bid per foot shall be withheld for the entire length of waviness in a line caused by poor workmanship and/or application procedures. Penalty shall be imposed from the first occurrence.



5. Gaps Between Successive Lines. Successively placed lines that contain gaps as specified by an unreasonable amount shall be replaced. The Contractor shall be responsible for removal of the deviated marking material/repair of the pavement as designated by, and to the satisfaction of, the Engineer at no additional compensation.



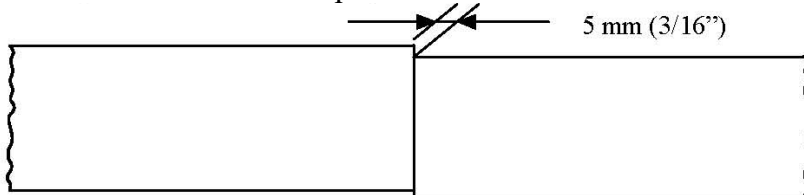
6. Burned or Discolored Markings. Fifty (50) percent of the full unit price bid per foot (meter) shall be withheld for each lineal foot of material or per each for symbol markings which shows signs of burning or discoloration due to prolonged application of the torch. This penalty shall be imposed for each instance that the Contractor fails to take corrective action after one warning by the Engineer.

7. Work Outside the Scope/Limits of Project. Payment for all pavement marking work performed shall be withheld in full until the Contractor (a) removes all pavement marking material placed outside the scope/limits of the project, and (b) repairs the pavement surface as directed by and to the satisfaction of the Engineer.

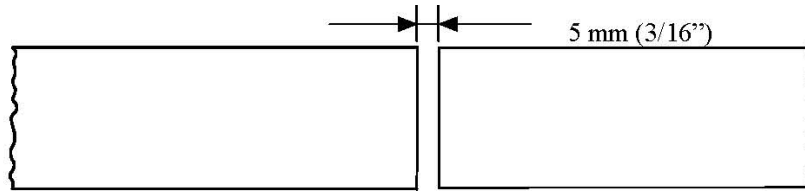
c. Cold Plastic Installation Performance Measures.

1. Lack of Adhesion. The full unit price bid per foot shall be withheld for 3 foot for each occurrence if found more than three (3) times per 1 mile, or project if less than 1 mile in length.

2. Line Deviation. A line that in the judgment of the Engineer deviates from the specified layout by an unreasonable amount shall be replaced. The Contractor shall be responsible for removal of the deviated marking material/repair of the pavement as designated by, and to the satisfaction of, the Engineer at no additional compensation.

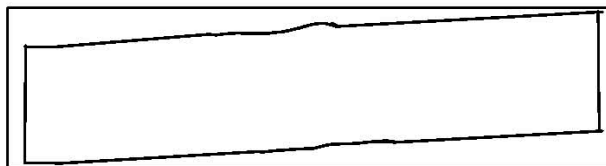


3. Gaps Between Successive Lines. Successively placed lines that contain gaps as specified by an unreasonable amount shall be replaced. The Contractor shall be responsible for removal of the deviated marking material/repair of the pavement as designated by, and to the satisfaction of, the Engineer at no additional compensation.



4. Inlaid Groove Quality. The full unit price bid per foot shall be withheld for the entire length of line that does not meet the requirements for depth of the inlaid material or for a groove that displays a coarse tooth pattern bottom that is not conducive to complete adhesion of the marking material. Penalty shall be imposed from the first occurrence.

5. Wavy or Misaligned Line. The full unit price bid per foot shall be withheld for the entire length of waviness caused by poor operation by the driver/operator of the grooving/installation equipment or for any misalignment in the material installed within the inlaid groove. Penalty shall be imposed from the first occurrence.



6. Work Outside the Scope/Limits of Project. Payment for all pavement marking work performed shall be withheld in full until the Contractor (a) removes all pavement marking material placed outside the scope/limits of the project, and (b) repairs the pavement surface as directed by and to the satisfaction of the Engineer.

d. Pavement Marking Paint and Epoxy Installation Performance Measures.

1. Lack of Specified Thickness. The full unit price bid per foot shall be withheld if lack of thickness is found more than three (3) times per 1 mile, or project if less than 1 mile in length. Each line shall be checked a minimum of six (6) times per 1 mile, or project if less than 1 mile in length.

2. Lack of Specified Width. Payment shall be made with penalty being equal to 25% of the unit price bid per foot for each 1/4 inch of width lacking not to exceed 100% of the unit price bid per foot for the length of the line less than specified width. Penalty shall be imposed upon the first occurrence and every occurrence thereafter.

3. Lack of Specified Length/Cycle. Payment shall be made with penalty being equal to 25% of the unit price bid per foot for each 1 inch of length lacking or exceeding the specified length for broken lane line and/or broken center line not to exceed 100% of the unit price bid per foot for the length of the line less

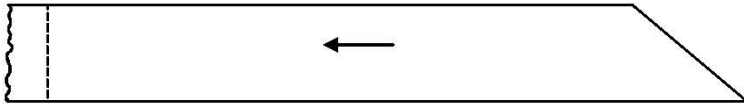
than specified length. Penalty shall be imposed upon the first occurrence and every occurrence thereafter.

4. Lack/Excess of Surface Beads or Improper Application. The full unit price bid per foot shall be withheld for each lineal foot of material with inappropriate application rate of the surface glass beads. The same penalty shall apply if the beads are not evenly disbursed across and along a line or if the beads imbed improperly. This penalty shall be imposed for each instance that the Contractor fails to take corrective action after one warning by the Engineer.

5. Pointed Ends. The full unit price bid per foot shall be withheld for pointed ends. This penalty shall be for the full 6 feet of a lane line or broken centerline or for no more than 6 feet of a long line.



6. Skewed Ends. The full unit price bid per foot shall be withheld for skewed ends. This penalty shall be for the full 6 feet of a lane line or broken centerline or for no more than 6 feet of a long line.

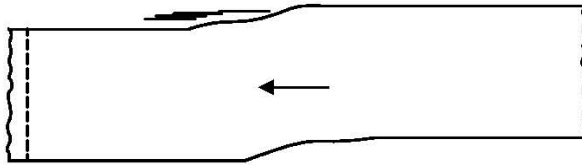


7. Line Deviation. A line that in the judgment of the Engineer deviates from the specified layout by an unreasonable amount shall be replaced. The Contractor shall be responsible for removal of the deviated marking material/repair of the pavement as designated by, and to the satisfaction of, the Engineer at no additional compensation.

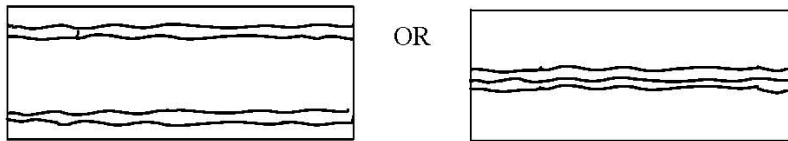
8. Excessive Dripping between Lines. The full unit price bid per foot shall be penalized for the length of any dribbled open space between broken lines that is not removed to the satisfaction of the Engineer before leaving the project site that work day. Penalty shall be imposed upon the first occurrence and every occurrence thereafter.



9. Wavy Line. The full unit price bid per foot shall be withheld for the entire length of waviness in a line caused by poor operation by the driver/operator of the application equipment. Penalty shall be imposed from the first occurrence.



10. Non-Uniform Thickness. The line shall be uniform thickness across the entire cross section of the line with well-defined edges. Heavy inner thickness and thin edges or vice-versa will not be accepted. The full unit price bid per foot shall be withheld for lines that are not of uniform thickness. Penalty shall be imposed from the first occurrence.



11. Work Outside the Scope/Limits of Project. Payment for all pavement marking work performed shall be withheld in full until the Contractor (a) removes all pavement marking material placed outside the scope/limits of the project, and (b) repairs the pavement surface as directed by and to the satisfaction of the Engineer.

242.9. Method of Measurement. Pavement Markings will be measured by one of the following:

- a. Per linear foot of line. Skip lines are paid based upon length of marked section, 1 foot of a dual line is paid for at two unit feet bid.
- b. Per each symbol.

242.10. Basis of Payment. Pavement Markings will be paid for by one of the following:

- a. Contract unit bid price
- b. Contract lump sum bid price

242.11. Measurement and Payments. This section governs the method of measurement and the basis of payment for furnishing all labor, equipment, tools, and materials and for the performance of all related work necessary to complete any construction covered in Section 242.

242.12. General. Unless specifically altered by the Special Provisions, the methods of measurement and payment shall be as specified in each section herein, and as listed in the Proposal.

242.13. Measurement. The Engineer will measure the work for payment. The method of measurement and computations used in determination of quantities of work performed will be those methods generally recognized as conforming to good engineering practice.

242.14. Items Not Listed in the Proposal. There shall be no measurement or separate payment for any item of work not specifically identified and listed in the Proposal and all costs pertaining thereto shall be included in the Contract unit prices for other items which are listed in the Proposal.

Item No. 242.1. Maintenance of Traffic, per device per day or lump sum.

Item No. 242.2. Striping - Temporary Tape, per lineal foot, or lump sum.

Item No. 242.3. Striping - Paint, per lineal foot, or lump sum.

Item No. 242.4. Striping - Epoxy, per lineal foot, or lump sum.

Item No. 242.5. Striping - Thermoplastic, per lineal foot, or lump sum.

Item No. 242.6. Striping – Aggressive Bond Thermoplastic, per lineal foot or lump sum.

SECTION 243

AUDIBLE PEDESTRIAN PUSH BUTTONS

243.1. General.

- a. Audible Pedestrian Signal Push Button Station work shall include, but is not limited to, removal of improvements (if renovating existing station) and installation of push button and wiring as needed to make equipment operational. Removals shall include, but are not limited to, the existing push button detector, existing push button signs, and any ancillary wiring as necessary.
- b. If renovation of existing push button stations, the existing push button detectors and existing push button signs shall be salvaged to the City
- c. All work on the signals shall be completed so that the signals shall be operational during non-working hours.

243.2. Products and Materials.

Audible Pedestrian Signal Push Button Station (APS):

- a. The APS pedestrian push button station (housing and sign frame) shall be Polara EZ Communicator Navigator 2 Wire Push Button Station (EN2 PBS) or approved equal and shall be yellow in color.
- b. The APS unit shall be connected to a power and control unit mounted inside its associated pedestrian signal housing using a 2-wire cable.
- c. The sign plate shall generally conform to the MUTCD Sign Code R10-3b, and shall have the street name in Braille.
- d. The APS unit shall have special voice message capabilities.
- e. The button itself shall have the following characteristics: made from cast aluminum and hard nickel plated; vandal resistant; ADA compliant; vibro-tactile with a raised directional arrow; and diameter of at least 2”.
- f. A red LED indication shall stay on until the walk cycle to indicate the push button has been activated by a pedestrian.
- g. The station shall be provided with a weather-proof speaker for which all sounds and tones will emanate from, and the speaker shall be protected by a vandal resistant screen.
- h. The button shall emit a brief “tick” each time the push button is operated. In addition, the station shall have the capability of emitting the following tone/sounds:
 1. Locating tone at 880 Hz plus harmonic, 0.1 second duration, 1 second interval during pedestrian clearance and don’t walk interval.
 2. Cuckoo sound at 1250 Hz and 1000 Hz, 0.6 second duration, 1.8 second interval, during walk intervals only.

3. Chirp sound from 2700 Hz to 1700 Hz, 0.2 second duration, 1 second interval, during walk intervals only.

MPS Extension Bracket:

- a. The APS unit shall use an extension bracket where specified and shall conform to the following criteria:
- b. The extension bracket shall extend the push button no more than 18” and be yellow in color.
- c. A mounting adapter plate shall be used where necessary to fasten the bracket securely to the pole.
- d. The extension bracket plates and extension tubes shall be machined from 6061 T6 Al.
- e. All mounting hardware shall be stainless steel.
- f. MPS extension brackets shall be powder coated.

243.3 Programming. The various settings of the APS unit shall be programmable using a hand-held configurator. The programmable settings shall include, but is not limited to:

- a. locator tone minimum and maximum volume
- b. standard WALK minimum and maximum volume
- c. extended push message minimum and maximum volume
- d. volume over ambient
- e. WALK mode, selecting the sound played during the WALK phase among the following 9 choices: none, cuckoo, chirp, standard message, custom message, cuckoo + standard, cuckoo + custom, chirp + standard, and chirp + custom
- f. WALK sound pause
- g. WALK sound trigger
- h. clearance phase sound, selecting the sound played during the clearance phase among a few standard clearance sounds, a customer specified tone or verbal clearance countdown
- i. DON'T WALK phase sound, selecting the sound played during the DON'T WALK phase among a few standard locate sounds or a customer specified tone.

The hand-held configurator shall be contractor furnished, City retained.

243.4 Customization. The APS unit shall provide the following custom message and sound options. Audible messages shall be fully customizable in multiple languages (up to three).

- a. Custom Locate Sound – plays a sound at a selectable interval to assist a blind pedestrian in locating the push button station.

- b. Custom Location Message – plays a custom message to state the street being crossed and cross street names, and other vital information to help pedestrian with location and direction.
- c. Custom Walk Message – plays a custom message to alert pedestrians that the WALK interval has begun and name of street being crossed.

243.5 Maintenance and Warranty.

- a. Functional responsibility for new traffic signal equipment installed will become the responsibility of the contractor until successful completion of a 15 day Acceptance Test Period. Contractor responsibility for operation and maintenance for newly installed signal material at the intersection begins from the first day of construction activity at the intersection, including modification of existing equipment due to construction activity, until Final Acceptance of the traffic signal.
- b. The contractor shall provide manufacturer's warranties or guarantees on electrical, electronic, or mechanical equipment furnished, except city-supplied equipment and ensure that warranties and/or guarantees are consistent with those provided as customary trade and industry standard practices; or as otherwise specified in the plans, standard specifications, or special provisions. Upon final acceptance, transfer the manufacturer and contractor warranties or guarantees to the Engineer. The Contractor shall ensure that warranties are continuous and state that they are subject to transfer.
- c. Acceptance or approval of the Work does not waive warranties or guarantees where required by the specifications. Final acceptance will not be granted until all warranties and guarantees are received.
- d. The Contractor shall repair and/or replace all equipment and material supplied which has been determined by the Engineer to not meet specifications. The Engineer reserves the sole right to determine suitability or unsuitability of the supplied equipment and material. The Contractor shall bear the total cost of delivery and transportation related to the repair and replacement of equipment and material unless otherwise approved by the Engineer.

243.6 Basis of Payment. No direct payment shall be made for all materials, equipment, labor, tools, and incidentals necessary to complete the work according to the plans and specifications. Payment for all work and materials under this section will be considered as completely covered by the Contract price per each. Payment will be made under:

Item No. 243.1 Audible pedestrian push button, per each

SECTION 244

COLORED IMPRINTED CONCRETE

244.1 General. The work shall consist of placement of decorative imprinted cast-in-place concrete slab, having integral color, with powder antique release agent, and imprinted with a pattern replicating that of a brick surface following a running bond pattern. The concrete system shall be constructed of an approved product system in compliance with the specifications of a Solomon product or approved equal. The work includes the following:

- a. Set grades, prepare subgrades, construct forms, and place reinforcement.
- b. Place colored concrete and finish.
- c. Place powder antique release agent.
- d. Imprint with running bond pattern.
- e. Remove excess release agent.
- f. Apply curing and sealing products.
- g. Saw-cut joints.

The work shall be performed on the job site by trained and experienced workmen approved and licensed by the product manufacturer, and in accordance with the product manufacturer's specifications and recommendations.

244.2 Quality Assurance. All imprinted concrete shall be installed by a licensed product contractor. The imprinted concrete contractor shall provide a qualified foreman or supervisor who has a minimum of three years of experience with imprinted and textured concrete, and who has successfully completed at least five imprinted concrete installations of high quality and similar in scope to that specified herein. Evidence that the contractor is qualified to complete the project in a workmanlike manner as specified herein shall be submitted to, and approved by the Engineer.

244.3 Products and Materials.

- a. Concrete. Concrete shall conform to Section 230, Type "A" of the City Standard Specifications.
- b. Integral Color. The color of the concrete shall be approved by the Engineer and meet ASTM C979. The color shall be added to the concrete at the batch plant. The color shall be "Solomon 306 Toffee" or approved equal.
- c. Powder Antique Release Agent. The release agent shall be LITHOCHROME Antiquing Release "A-21 Deep Charcoal", or approved equal. A release agent is required when stamping concrete.
- d. Pattern. The pattern shall match a running bond brick pattern and shall be approved by the Engineer prior to production. All imprinting tools used in the execution of this product shall be approved by the product manufacturer.
- e. Cure and Sealant. All imprinted concrete slabs shall be cured and sealed in accordance with the product manufacturer's recommendations and specifications.

244.4 Execution.

- a. The area to receive imprinted concrete shall have the subgrade prepared and compacted conforming to Section 234.4 of the City Standard Specifications.
- b. Formwork, reinforcement, control joints, and/or expansion joints shall be provided in accordance with the plans and Section 234 of the City of Columbia Standard Specifications. The concrete shall be placed and screeded to the finished grade, and floated to uniform surface using standard finishing techniques.
- c. Powdered antiquing release agent shall be applied evenly to the surface of the fresh concrete using a minimum of four pounds per 100 square feet, or as required per the manufacturer's recommendations. Care shall be taken to ensure the powder does not stain any surrounding areas.
- d. While the concrete is still in its plastic stage of set, the imprinting tools shall be applied to the surface.
- e. When the concrete has cured to the point where it is walkable and not altered by the chosen excess removal technique, the excess antique release agent shall be removed to achieve the desired artistic effect. All loose powder shall be removed that may interfere with subsequent cure and sealer.
- f. Immediately after completing the excess release agent removal process, approved curing and sealing methods shall be applied in accordance with the manufacturer's recommendations.

244.5 Measurement and Payment. Payment for the Work complete in place shall include necessary excavation, compacting the subgrade, materials, equipment, and labor, and any work incidental thereto. Payment will be made under:

Item No. 244.1. Colored imprinted concrete, per square foot.

SECTION 250

CONCRETE STRUCTURES

250.1. Description. Concrete structures shall include drainage structures such as reinforced concrete boxes, culverts, junction boxes, curb inlets, manholes, side opening inlets, paved channels, etc., also retaining walls and any special concrete structures. Circular junction boxes, side opening inlets, and manhole structures are acceptable in addition to the rectangular structures shown in the details.

250.2. Materials.

250.2.1. Concrete.

All materials, proportioning, slump, and air-entertainment for Portland cement concrete shall conform to requirements of the current MoDOT's Standard Specifications for Highway Construction (MSSHC), Section 501, for Class B-1 air-entrained concrete and all other sections as referenced in the MoDOT MSSHC unless otherwise specified by the Engineer.

Sampling and testing of concrete and materials shall be made under the direction of the Engineer, who shall have access to all places where concrete materials are stored, proportioned, mixed or placed. A recognized testing laboratory, selected by the Contractor and approved by the Engineer, shall be employed by the Contractor to test cement and aggregates proposed for inclusion in the work, to design the concrete mix, and to test all concrete cylinders. The Contractor shall furnish the laboratory with adequate samples of aggregates and cement to permit required testing.

The tests listed below shall be performed by the laboratory with certified test results submitted to the Engineer for his approval. Materials to be tested and testing shall be according to the following:

- a. Cement shall be sampled and tested according to ASTM C 150.
- b. Coarse and fine aggregates shall be sampled and tested as follows:

Sampling	ASTM D 75
Gradation	ASTM C 136 and C 117
Impurities	ASTM C 40 (Sand), C 123, C 142 and AASHTO-T10
Soundness	ASTM C 88, if required
- c. The determination of slump of concrete shall conform to ASTM C 143.
- d. Concrete test cylinders shall be cast and tested in accordance with ASTM C 31 and C 39. The Contractor shall make three (3) job cylinders for each 50 cubic yards or fraction thereof of contract, but not less than one set for any one day's operations, and not less than one set of (3) cylinders for each 5000 square feet of surface area for walls and slabs shall be taken. Surface area shall be considered the area of one face of wall or slab. All cylinders shall be cured under the same

conditions as job concrete. Job cylinders shall be identified at the time cast as to which pour is represented.

The Contractor shall ship or deliver two (2) cylinders to the laboratory on the fourth day, one of which is to be tested on the seventh day, the other to be laboratory cured and tested on the twenty-eighth day. One (1) cylinder shall be shipped on the twenty-fourth day and tested on the twenty-eighth day.

The Contractor shall furnish the City three (3) copies of test reports for concrete test cylinders. Unsatisfactory tests of job cylinders shall make the concrete concerned subject to rejection, with consequent removal and replacement by the Contractor at his expense.

Cold Weather Requirements. Placing of concrete in cold weather shall conform to ACI 306 – Cold Weather Concreting in addition to the following specifications. No concrete shall be placed on iced or frozen subgrade or when temperature is below thirty-two degrees Fahrenheit (32° F.). Concreting shall not be continued when the air temperature is below forty degrees Fahrenheit (40°F.) unless the following conditions are attained:

- a. Mixing water shall be heated to a maximum of one hundred fifty degrees Fahrenheit (150°F.).
- b. Aggregates shall be heated until free of all ice and frost.
- c. The concrete temperature after mixing shall be between fifty degrees Fahrenheit (50°F.) and seventy degrees Fahrenheit (70°F.) if the air temperature is twenty degrees Fahrenheit (20°F.) to forty-five degrees Fahrenheit (45°F.).
- d. After the concrete is placed, it shall be covered, protected, and heated so as to maintain a maximum of seventy degrees Fahrenheit (70°F.) air temperature for the first twenty-four (24) hours and fifty degrees Fahrenheit (50°F.) air temperature for the next six (6) days.
- e. Moist conditions shall be maintained during the heating period.
- f. All covering, heating equipment, etc., shall be on hand and approved by the Engineer before any concrete is placed.

Admixtures shall be used only with the approval of the Engineer. Calcium chloride is not an acceptable admixture.

Hot Weather Requirements. Placing of concrete in hot weather shall conform to ACI 305 – Hot Weather Concreting in addition to the following specifications. No exposed concrete is to be placed in air temperatures above one hundred degrees Fahrenheit (100°F.). Cover, protect and cool work as required to maintain the temperature of the concrete below one hundred degrees Fahrenheit (100°F.). The concrete temperature, after mixing shall not be greater than eighty-five degrees Fahrenheit (85°F.). Spray and/or shade aggregate piles and cool mixing water is required.

250.2.2. Reinforcing steel shall conform to the requirements of Section 238 of these specifications

250.3. Construction

250.3.1. Forms for Concrete Structures. Forms shall conform to the shape, lines and dimensions of members called for on plans, and shall be sufficiently rigid and tight to prevent leakage of mortar. They shall be properly braced or tied together to maintain their position and shape when concrete is tamped or vibrated. Forms may be constructed of:

- a. Lumber, No. 2 or better, with a minimum thickness of one (1) inch, and containing no holes or loose knots. Ship lap may be used where so specified on the plans. Form liners shall be one-fourth (1/4) inch plywood or approved fiber board on one (1) inch solid backing.
- b. Plywood forming material may be used if three-fourths (3/4) inch plywood forms have studs on sixteen (16) inch centers or five-eighths (5/8) inch plywood forms have studs on twelve (12) inch centers.
- c. Steel forms may be used if of a reputable manufacturer and in first class order, free from dents, etc.

All exposed corners and edges shall be provided with three-fourths (3/4) inch chamfer. Cleanouts shall be provided as required to remove sawdust and debris. All contact surfaces shall be oiled sparingly.

Wall form ties shall be steel of the loop or snap type with one and a half (1 1/2) inch breakback and with a cone the full depth and not larger than one (1) inch diameter. For other forms use pencil rods and cut back inside the concrete.

The Engineer's approval of forms shall be required before any concrete is placed.

250.3.2. Placing Reinforcing Steel. All reinforcing shall be free from scale, rust or coatings which will reduce the bond on the concrete. Bars shall be accurately bent and placed as indicated on the shop drawings and securely supported and tied with #16 annealed iron tie wire at all intersections to prevent movement during the placement of concrete.

Lap and tie the reinforcing steel together at splices. Splices shall be staggered as shown on the plans.

Reinforcing steel shall be placed for minimum concrete coverage as follows:

- a. Three (3) inch for bottom steel in footings and slabs poured on subgrade
- b. Two (2) inch from surface to be exposed to water or earth backfill
- c. One and a half (1 1/2) inch for walls, beams and columns above ground

- d. One (1) inch from top of slabs

Consult the plans for any exception to the above.

The Engineer's approval is required at the completion of placing reinforcing steel prior to the placing of any concrete.

250.3.3. Placing Concrete. Prior to placing concrete, all water shall be removed from excavations; no concrete shall be placed under water; subgrade for slabs less than twelve (12) inches thick shall be dampened. All debris shall be removed from the forms.

Wall concrete shall be placed continuously in horizontal layers of eighteen (18) inch lifts. Placing locations shall not be more than ten (10) feet apart. Tremies are required when the concrete has to be dropped farther than five (5) feet. Surface water shall be drained off and mixing water shall be reduced as required in the top layers of deep pours.

The working face of the concrete shall be kept plastic and "alive." High frequency vibrators shall be used at all times, supplementing as required with hand tamping, slicing, etc. Avoid vibrator contact against finished face forms of reinforcing steel adjacent to partially set concrete. Vibrators shall not be used to move or push the concrete laterally. Avoid over-vibrating.

Concrete shall be protected against rain or immersion under water for at least twelve (12) hours.

250.3.4. Construction Joints. Construction joints shall be made only at points shown or noted on the Plans, except when otherwise approved by the Engineer. Vertical construction joints in the reinforced concrete boxes shall be spaced at a maximum of thirty (30) feet on center. Reinforcing shall be carried continuously through all construction joints. Construction joints shall be formed straight and true with finished edges.

Where a joint is to be made, the surface of the concrete shall be thoroughly cleaned and all laitance removed. The joint shall be thoroughly wetted and slushed with a coat of cement grout immediately before placing of new concrete. Grout shall be mixed using a ratio of one (1) to two and a half (2 1/2) parts of cement to sand.

250.3.5. Removing Forms. Remove forms only after concrete has safe and sufficient strength and only with approval of the Engineer.

250.3.6. Concrete Finish. Immediately after the removal of forms, the Engineer will examine the exposed concrete. Any concrete not conforming to the lines and grades shown on the Plans, or which shows poor joints, voids, stone pockets, honeycomb and otherwise defective areas shall be considered as not conforming with these specifications, and shall be replaced by the Contractor at his expense, except in cases where the Engineer approves patching the defective parts of the structures. Permission to patch any defective parts of the structure shall not waive the Engineer's right to require the replacement of defective parts if the patching does not, in his opinion, satisfactorily restore the quality and appearance of these defective parts.

Specific concrete finishes required will be as follows:

- a. Top of drainage structure to slab: sand float.
- b. Inside of drainage structure top slab and walls: form-finish with rough spots as well as honeycombing removed; ties to be broken and tie holes grouted.
- c. Drainage structure floor slab: sand float.
- d. Outside of structure wall: ties to be broken and tie holes grouted with honeycombing removed.
- e. Exposed structural concrete surfaces: hand rubbed to a smooth finish with a carborundum brick until form prints are removed.

250.3.7. Curing of concrete shall be maintained continuously for seven (7) days after placing the concrete. Concrete temperature is to be maintained between fifty degrees Fahrenheit (50°F.) and one hundred degrees Fahrenheit (100°F.). Moisture is to be retained in the concrete by the following means:

Walls and Structures

- a. Cover with tarps and leave form on seven (7) days, or
- b. Cover with cotton batts continuously wet seven (7) days, or
- c. Spray approved membrane, one (1) gallon to two hundred (200) square feet for unfinished surfaces only.

Slabs

- a. Pond, or wet cotton batts, or two (2) inch wet sand blanket, or curing paper with sealed edges. Apply immediately after finishing.

250.3.8. Welding. All welding shall be shielded arc, fusion welding, made in conformity with the requirements of the "Specification for the Design, Fabrication and Erection of Structural Steel for Buildings" of the A.I.S.C. and the American Welding Society D1.1 Structural Welding Code-Steel, as amended to date. Methods employed and technique shall be subject to the approval of the Engineer.

250.3.9. Maintenance of Storm Sewers During Construction. All storm sewers, drain lines, and appurtenances installed under this Contract must be kept reasonably clean during construction. The Contractor shall at all times maintain the storm sewers and appurtenances so as to prevent obstructing surface water.

250.3.10. Protection from Vandals. It will be the Contractor's responsibility to protect fresh concrete from vandals during the curing process. Any concrete work damaged by vandals will be inspected by the Engineer and subject to removal if the Engineer judge the damage to

create a safety hazard, or would accelerate deterioration of the concrete surface, or if the damage area is unsightly and detracts from the overall aesthetics of the project.

250.4. Basis of Payment. Unless provided otherwise, all concrete structures, complete in place, will be paid for at the Contract unit price per cubic yard, measured to the nearest one-tenth (1/10) cubic yard, which payment shall be full compensation for furnishing and installing all concrete and reinforcing steel, all forming, all excavation and backfill required as set forth in these specifications, and all other labor and incidental items necessary to complete the structures in accordance with the detailed drawings and these specifications. Payment will be made under:

Item No. 250.1. Structural concrete, per cubic yard.

SECTION 260

STORM SEWERS

260.1. Description. Storm sewer construction shall consist of furnishing all labor, materials and equipment for the complete installation of sewers and appurtenances in accordance with the standards, drawings, general conditions, and detail specifications. Unless indicated otherwise in these specifications, the word "Sewer" shall refer to pipe sewers, box culvert sewers, or paved channels.

260.2. Standards. Whenever any reference is made to ASCE, ASTM, AASHTO, AWWA, and ASA Standard Specifications, the specification referred to shall be understood to mean the latest revision of said specifications or standards as amended to date of letting of Contract. RCP, HP, HDPE, and CMP shall be the only pipe material used in the right of way. Only RCP and HP shall be used under arterials, collectors, and cul-de-sacs. In situations where the pipe enters or exits the right of way directly to or from an inlet or junction (i.e. not paralleling the pavement) HDPE and CMP may be used. HDPE and CMP may be used under driveways on any class of unimproved street.

Pipe	Acceptable location		
	Right of Way: Arterials, Collectors, Cul-de-sacs	Right of Way: Local Roads	Easements
RCP	X	X	X
HP	X	X	X
HDPE		X	X
CMP		X	X

260.3. Materials.

260.3.1. Concrete. Concrete used in the construction of concrete storm sewers and drainage structures and appurtenances shall conform to Section 250 - Concrete Structures.

260.3.2. Reinforced Concrete Pipe (RCP). All reinforced concrete pipe shall conform to ASTM Designation C 76. RCP shall be Class III with a D-load of 1350. This specification covers reinforced concrete pipe of twelve (12) to one hundred eight (108) inches, depths of fill of up to 13 feet above pipe, and is intended for use in conveyance of storm water and for the construction of culverts. All other installations shall be approved by the Engineer.

The interior surfaces of the pipe shall be a smooth true cylindrical surface free from undulations or corrugations. Each pipe shall be marked by the manufacturer with a "Q Cast" stamp to certify the pipe was produced by an American Concrete Pipe Association (ACPA) certified plant. The following additional information shall be clearly marked on the inside of each section of pipe by indenting on the pipe section or by painting thereon with waterproof paint:

- a. Pipe class.
- b. Date of manufacture.
- c. Name or trade-mark of the manufacturer.

260.3.3. High Density Poly Ethylene Pipe (HDPE). All HDPE pipe shall conform to AASHTO M294, Type S. HDPE pipe to be ADS N-12 WT IB (water tight, integral bell) smooth interior, dual wall or approved equal. For 48" diameter pipe and smaller, minimum cover shall be one foot. For 54" and 60" diameter pipe, minimum cover shall be two feet. All HDPE pipe shall contain a minimum content of 2% carbon black as required by ASTM D3350. Pipe shall be furnished with an integral reinforced bell with a bell tolerance device and elastomeric gasket to meet ASTM F477 and ASTM D3212.

260.3.4. Cast Iron Castings.

- a. Cast Iron: All iron castings used in connection with storm sewers and their appurtenance structures (manhole and catch basin rings and covers, catch basin castings, inlet plates and grating, manhole steps or ladder irons, etc.) shall be made from tough, gray iron of even grain and tensile strength of not less than 35,000 pounds per square inch, conforming to ASTM Designation A 48, Class No. 35B. The castings shall conform to the shapes and dimensions shown on the standard drawings, be clean and whole, and without blow or sand holes or other defects, and all parting fins and pouring gates shall have been removed. No plugging or filling in of holes will be permitted and all such castings, except the buried portion of manhole steps or ladder rungs shall be cleaned and painted with one (1) coat of coal tar before being delivered to the site.

260.3.5. Not used.

260.3.6. Corrugated Metal Pipe (CMP). Wherever shown on the plans and profiles, or required by the Engineer, corrugated metal storm sewer culvert pipe, complete with connecting bands, elbows, and fittings, may be used.

CMP shall be aluminized type 2 (AASHTO M36 & M274) or polymeric precoated (AASHTO M36, M245 & M246) galvanized (AASHTO M36 & M218) sheet or coils. Polymeric coating shall be Dow "TRENCHCOAT" or approved equal, 10 mils thick on both inside and outside of pipe.

Corrugated metal culvert pipe gage requirements shall conform to the specifications of the following table unless otherwise specified by the plans and specifications or by the Engineer.

Where zinc coated sheets and coils (M218) are to be used, the gage requirements of the following tables shall be increased to the next heaviest gauge.

Circular Culvert Pipe

<u>Diameter</u>	<u>Gage</u>	<u>Diameter</u>	<u>Gage</u>
12"	16	42"	14
15"	16	48"	14
18"	16	54"	12
24"	16	60"	12
30"	16	72"	10 up to 16 feet
36"	16		

Arch Culvert Pipe

<u>Equivalent Diameter</u>	<u>Gage</u>	<u>Span</u>	<u>Rise</u>
15"	16	18"	11"
18"	16	22"	13"
21"	16	25"	16"
24"	14	29"	18"
30"	14	36"	22"
36"	14	43"	27"
42"	12	50"	31"
48"	12	58"	36"
54"	12	65"	40"

Wherever corrugated metal culverts are installed on railroad property which is occupied by tracks or which may be occupied by tracks at any time in the future, then it shall conform to the A.R.E.M.A. "Specifications for Corrugated Metal Culverts."

<u>Diameter of Pipe</u>	<u>Minimum Gage of Metal</u>
12" to 18"	14
20" to 24"	12
26" to 36"	10
38" to 60"	8

Pipes larger than sixty (60) inches require special considerations and special specifications.

Corrugated metal storm sewer pipe shall be handled in such a manner that it is not chipped, dented or bent. If in handling the culvert the base metal is exposed in any way then it shall be rejected or repaired to the satisfaction of the Engineer.

260.3.7. High Performance Polypropylene Pipe (HP). HP pipe shall have a smooth interior and an annular corrugated exterior. Twelve (12)-inch through sixty (60)-inch HP pipe shall meet or exceed ASTM F2881 and AASHTO M330. The HP pipe is intended for use in conveyance of storm water and for the construction of culverts.

The minimum depth of fill above the pipe shall be one foot for twelve (12)-inch through forty-eight (48)-inch HP pipe. The minimum depth of fill above the pipe shall be two feet for sixty (60)-inch HP pipe. The maximum depth of fill above pipe shall be 9 feet. Backfill for minimum and maximum applications shall meet manufacture’s specifications. All other installations shall be approved by the Engineer.

Polypropylene compound for pipe and fitting production shall be impact modified copolymer meeting the material requirements of ASTM F2881, Section 5 and AASHTO M330, Section 6.1.

All drainage structures used with HP pipe, including inlets, junction boxes, and flared end sections, shall be precast concrete, as specified for RCP pipe.

260.3.8. Encasement Pipe. When circular corrugated iron lineal plate or structural plate pipes or tunnels are installed on railroad property which is occupied by tracks or by tracks at any time in the future, then it shall conform to A.R.E.M.A. "Specifications for Corrugated, Structural, Plate Culverts and Arches." The minimum gage of the metal shall be as follows:

<u>Neutral Axis Diameter</u>	<u>Minimum Gage</u>
48"	8
60"	8
62"	7
72"	7
74"	5
84"	5

260.4. Joints for Reinforced Concrete Pipe.

260.4.1. Flexible Compression Joints. Flexible compression joints may be made with rubber gasket, rubber “O” rings, preformed plastic compound, mastic, or butyl sealants. Rubber gasket and rubber "O" rings which shall conform with ASTM C 443. Preformed plastic compound shall be either rope form or flat tape form conforming to ASTM C990. Primer, as recommended by the manufacturer, shall be used to maintain the material in position while pipe sections are being joined. Mastic and butyl sealants may be used in accordance with ASTM C990. Mastic shall be applied to the bottom half of the bell or groove and the top half of the spigot or tongue.

260.5. Joints for High Density Poly Ethylene Pipe.

260.5.1. Pipe shall be joined using a bell & spigot joint meeting AASHTO M252, AASHTO M294 or ASTM F2306. The joint shall be water-tight according to the requirements of ASTM D3212 and gaskets, when applicable, shall meet the requirements of ASTM F477. Gaskets shall be factory installed with a removable wrap to ensure gasket is free from debris. A joint lubricant supplied by the manufacturer shall be used on the gasket and bell during assembly. Field joints shall provide circumferential and longitudinal strength to maintain the pipe alignment, prevent separation of pipe and prevent infiltration of fill material.

260.5. Not Used.

260.6. Not Used.

260.7. Joints for High Performance (HP) Polypropylene Pipe.

260.7.1. Pipe shall be joined with a gasketed integral bell and spigot joint meeting the requirements of ASTM F2881, for applicable diameters. HP pipe shall be watertight according to the requirements of ASTM D3212. Spigots shall have gaskets meeting the requirements of ASTM F477. Gasket shall be installed by the pipe manufacturer and covered with a removable, protective wrap to ensure the gasket is free from debris. A joint lubricant available from the manufacturer shall be used on the gasket and bell during assembly. HP pipe shall have a reinforced bell with a polymer composite band installed by the manufacturer.

Fittings shall conform to ASTM F2881, for applicable diameters. Bell and spigot connections shall utilize a spun-on, welded or integral bell and spigot with gaskets meeting ASTM F477. Fitting joints shall meet the watertight joint performance requirements of ASTM D3212.

To assure watertightness, field performance verification may be accomplished by testing in accordance with ASTM F2487. Use manufacturer's recommendation for leakage rates.

260.8. Sewer Construction.

260.8.1. Excavation and Backfill. All excavation for structures, trench excavation, and backfilling for storm sewer construction and all related work shall be performed in accordance with Section 201 of the specifications. RCP shall be considered rigid pipe. HDPE and CMP shall be considered flexible pipe.

260.8.2. Pipe Bedding.

260.8.2.1 RCP. Pipe shall be bedded according to the Type 3 installation as recommended by the American Concrete Pipe Association and details bound in this manual.

260.8.2.2 CMP and HDPE. Pipe shall be bedded according to manufacturer's recommendations and the details for flexible pipe bound in this manual.

Should any excess material be removed from the ditch bottom, the space shall be filled with the approved material and thoroughly tamped, with a pneumatic tamper to the satisfaction of the Engineer, or replaced with a six (6) inch thick layer of approved granular material on top of other approved compacted materials.

Regardless of the method used to transfer the line and grade from the stakes to the sewer, each pipe shall be checked for line and grade using a method approved by the Engineer.

260.8.3. Laying the Pipe. All pipe shall be protected during handling against shock and free fall.

RCP shall, at the Contractor's option, be furnished with factory cast lift holes. Lift holes shall be 2.5 inches in diameter or less for pipes with inside diameter of 60 inches or less. Lift holes shall be 3.5 inches in diameter or less for pipes with inside diameter greater than 60 inches. No more than two (2) holes will be allowed in any one (1) piece of pipe. Drilling of lift holes on site is not acceptable. Any rebar visible in a lift hole shall be cause for rejection. Lift holes shall be plugged with a pre-manufactured plug designed specifically for plugging RCP holes (Popit or equal) or grouted full. The filled hole shall then be covered with an adhering sheet membrane (Grace Ice and Water Shield or equal) or a coat of bituminous material. Regardless of the method used, Contractor shall be responsible for the final water tightness of the pipe.

The laying of pipe in finished trenches shall be commenced at the lowest point and installed with the bell end forward or upgrade. All pipe shall be laid with ends abutting and true to line and grade established with a laser. They shall be carefully centered so that when laid they will form a sewer with a uniform invert.

Each piece of pipe shall be checked for vertical and horizontal alignment immediately after being laid.

Preparatory to making pipe joints, all surfaces of the portions of the pipe to be jointed, or of the factory made jointing materials, shall be clean and dry. Lubricants, primer, adhesives, etc., shall be used as recommended by the pipe or joint manufacturer's specifications.

The joints shall be wiped inside, removing all surplus joint compound and dirt from the interior of the pipe. Twelve (12) inch pipe and smaller shall be wiped by means of a disc attached to a rod not less than four (4) feet long worked continuously through the line of pipe.

When cement mortar, Kalktite or other approved joint compounds are used to make the joint in reinforced concrete pipe, it shall be made as follows:

In the bottom half of the bell shall be placed a sufficient amount of joint compound to thoroughly fill the annular space, and the next pipe inserted into place. The remainder of the annular space shall be completely filled on the inside and outside of the joint, around the circumference of the pipe, and the joint wiped on the inside of the pipe to remove all excess joint material.

No pipes may be trimmed unless by order of the Engineer. Pipes having defects that do not cause their rejections shall be so laid as to place these defects where they will be of least consequence.

Trenches shall be kept water-free and as dry as possible during bedding, laying and jointing and for as long a period as required to protect the pipe joints and concrete in structures.

As soon as possible after the joint is made, sufficient material shall be placed alongside each side of the pipe to offset conditions that might tend to move the pipe off line and grade.

260.9. Manholes and Junction Chambers.

260.9.1. Precast Manholes. Precast manholes shall be constructed as shown in the standard drawings, as specified herein and as directed by the Engineer.

260.9.2. Manhole Base and Invert. The manhole base and invert shall conform to Section 250 of these specifications. All bases and inverts shall be poured individually in one continuous pour for each, unless otherwise specified and particular care taken to make channels smooth and perfect. All manhole inverts and bases shall conform to the applicable manhole standards.

Precast manhole bases may be used with precast manholes provided the design of the base has been approved.

260.9.3. Manhole Rings and Covers. The rings and covers of all manholes shall be set at the elevation shown on the drawings and solidly built into place. Concrete rings shall be grouted with cement mortar.

Plastic adjusting rings shall be injection molded-recycled HDPE as manufactured by LADTECH, Inc. or approved equal and installed as per manufacturer's recommendations. The manhole adjusting rings shall be molded from high density polyethylene as defined in ASTM Specification D-4976. The annular space between the rings and cone basin, the rings, and the rings and cover frame shall be sealed utilizing an approved butyl sealant. The Contractor shall utilize flat and sloping units to match the required slope and or grade of the structure.

260.10. Inlets.

260.10.1. Precast inlets shall be constructed in accordance with the standards or approved equal. Concrete for precast concrete inlets shall conform to Section 250 of these specifications.

260.10.2. Reinforced concrete inlets shall conform to the standard drawings and Section 250 of these specifications. Concrete cover over steel reinforcement shall be not less than one (1) inch for covers and one and one-half (1 1/2) inches for walls and floors. All exposed concrete shall have smooth steel trowel or brushed finish. Interiors of structures shall have the forms removed and surface voids filled.

260.11. Reinforced Concrete Box Culverts.

260.11.1. General. Reinforced concrete box culverts shall be constructed in strict accordance with this section and Section 250 of these specifications.

260.11.2. Composition of Concrete. To determine the actual mixed proportions of cement, aggregates and water proposed for use on the project, the Contractor shall furnish all the information required by the testing laboratory retained by the Engineer. The testing laboratory will proportion a concrete mix based upon the requirements of these specifications and will determine the compressive breaking strength of these specimens at seven (7) days and will determine that the mix is in strict compliance with the specifications.

260.12. Paved Ditches and Rip-Rapping. Paving concrete for paved ditches shall

conform to Section 250 of these specifications and shall correspond with the standard drawings or approved equal.

The material for riprap shall consist of a predominantly one-sized, durable stone, shot rock or broken concrete. Acceptance by the Engineer may be made by visual inspection. Riprap material shall be either Type 1 or 2 per below.

Type 1 Riprap shall consist of at least 40 percent of the mass being pieces having a volume of one cubic foot or more.

Type 2 Riprap shall consist of at least 60 percent of the mass being pieces having a volume of one cubic foot or more.

A geotextile material shall separate the subgrade from the riprap. Geotextile material shall be AASHTO M288-96 Class 2 with a minimum permittivity of 1.0 sec^{-1} and an apparent opening size of 0.22 mm MARV. Lap seams per manufacturers recommendations.

Riprap shall be placed to the approximate shape and thickness shown on the plans for the specified ditch or as directed by the Engineer. The rock shall be dumped on a subgrade of reasonably uniform density and left in a rough condition meeting the approval from the Engineer.

Grouted riprap shall not be allowed unless approved by the Engineer.

260.13. Toewalls. A toewall or extension plate shall be provided where any pipe daylights.

260.14. Headwalls, Wingwalls and Endwalls. Design of these structures shall conform to the standards attached or to the approved details as submitted by the Engineer. Concrete shall conform to Section 250 of these specifications.

260.15. Railroad Crossings. Wherever a railroad crossing is being constructed beneath or at grade the necessary permit for the construction will have been previously secured by the Contractor. It shall also be the responsibility of the Contractor to contact the railroad company prior to beginning of such crossings, and to proceed with the construction as directed by the railroad company.

All railroad crossings shall be made at right angles to the railroad tracks wherever possible, and shall be laid by jacking or tunneling.

260.16. Traffic. Provision shall be made for taking care of traffic in accordance with Section 241 of these specifications and as may be provided in Special Provisions of the Proposal. Contractor shall protect installed material from damage from construction loads.

260.17. Existing Utilities. The Contractor shall provide for existing utilities in accordance with Section 4.4 and 201.9 of these specifications.

260.18. Replacement of Pavement. All pavement, surfacing, driveways, curb,

walks, buildings, utility poles, guy wires, and other surface structures affected by construction operations in connection with the performance of the Contract, together with all sod and shrubs in yards, parks, and parking lots, shall be maintained and if removed, or otherwise damaged, shall be restored to the original condition thereof, as determined and approved by the Engineer, unless otherwise specified on the plans.

The Contractor shall be responsible for, including any damage caused by settlement of backfill placed beneath pavements, street, road, and driveway surfacing, and drainage and other structures, and beneath sod in yards, parking lots, and parks, which may occur at any time prior to, and during the correction period after the date of final acceptance of the work covered by the Contract; during such period the Contractor shall at his own cost and expense refill all excavations where backfill damage to structures, pavements, surfacing, and sod caused by such settlement, to the satisfaction of the City. Should the Contractor fail to repair settlement which may occur as described above within thirty (30) days after being given notice thereof, the Owner shall have the right to repair such settlement and charge the cost of such repairs to the Contractor.

The Contractor will be held responsible for all damage to roads, highways, shoulders, ditches, embankments, bridges, culverts and other property, caused by him or any of his Subcontractors in hauling or otherwise transporting materials to and from the several sites of the work, regardless of the location of such damage. The Contractor shall make arrangements relative to the payment for, or repair or replacement of, such damage or damaged surfaces or structures which are satisfactory and acceptable to the Owners or Owner of such damaged surfaces or structures, or to their legally responsible officers, agents or other representatives, at the Contractor's own cost and expense.

260.19. Video Inspection. All storm drains including pipes, inlets, junction boxes, etc. shall be inspected using a video camera. Immediately prior to video inspection all storm drain facilities must be flushed with clean water, debris flushed from the facilities must be removed and properly disposed. The contractor shall provide and run a video camera to check for the presence of sags or other evidence of improper construction. The video shall show the restoration of all surface areas disturbed during construction as well as document that the tops of all inlets and junction boxes are properly adjusted to grade.

1. Furnish one copy of the video to Stormwater Utility. Video shall comply with the following requirements:

- a. Full color (Not black and white)
- b. Date and time of inspection
- c. Inlet and Junction Box labels
- d. Real time stationing of camera in pipe
- e. Inspection of all joints, fittings, and lateral connections
- f. Locations of observed deficiencies (i.e. bad joints, breaks, leaks, infiltration, etc.)
 - g. Pipe ponding in excess of $\frac{3}{4}$ " identified by location
 - h. Minimum resolution of 800x600 pixels
 - i. Single sided DVD or CD utilizing MPEG compression
- j. DVD/CD and box shall be labeled with manhole numbers, project title, and date

2. The City of Columbia reserves the right to reject storm drains based upon the video inspection, and complete own video inspection.
3. Faulty sections of storm drains, junction boxes or inlets rejected by the City shall be repaired or replaced at the Contractors expense to produce a like new product in a manner acceptable to the Engineer.
4. The Contractor shall provide the City a video inspection to document the repair or replacement of any rejected work.
5. Camera Speed shall not be greater than 30 feet per minute.
6. Payment. There will be no direct payment for testing and inspections. The cost and expense of such work to the Contractor must be included in the price of the bid for storm drains and concrete structures.
 - a. The City of Columbia may complete a video inspection at no cost to the Contractor for the first video inspection.
 - b. All subsequent inspections completed by the City of Columbia will have a fee associated with it.

260.20. Measurement and Payment.

260.20.1. Pipe. Pipe shall be measured to the nearest lineal foot of the various sizes and types installed. This unit price shall include trenching, installation, pipe materials, bedding, backfill, compaction, restoration of private property, and all other items required to complete the installation of the pipe. Payment will be made under:

- Item No. 260.1. Reinforced concrete pipe, per lineal foot
- Item No. 260.2. High density polyethylene pipe, per lineal foot
- Item No. 260.3. Cast iron pipe, per lineal foot.
- Item No. 260.4. Vitrified clay pipe, per lineal foot.
- Item No. 260.5. Corrugated metal pipe, per lineal foot.

260.20.2. Standard Drainage Structures and Appurtenances. Standard drainage structures shall be measured as a unit, complete and in place of the various types constructed. Payment will be made under:

- Item No. 260.6. Description of structure, per each unit.

260.20.3. Reinforced Concrete Box Culverts and Special Concrete Structures. Reinforced concrete box culverts, special concrete structures, headwalls, wingwalls, endwalls, and paved channels may be measured by the lineal foot or by the cubic yard of concrete in accordance with Section 250, whichever is specified in the proposal form, and payment will be made accordingly for structures complete and in place, at the Contract unit price.

260.20.4. Connection to Existing Structures. The connections to existing structures

required during construction shall be measured as a unit, complete. Payment will be made at the Contract unit price for connection to existing structure.

Item No. 260.7. Connection to existing structure, per each.

260.20.5. Pavement Replacement. Pavement replacement, whether asphaltic or concrete pavement, shall be measured by the square yard of acceptable material replaced within the project limits. Payment will be at the Contract unit price under:

Item No. 260.8. Concrete/Asphaltic pavement replacement, per square yard.

260.20.6. Riprap. Riprap, including excavation and geotextile, shall be measured by the square yard. Payment will be made at the Contract unit price under:

Item No. 260.9. Riprap Type 1 or 2, per square yard.

SECTION 500

EXCAVATION AND TRENCHING FOR SANITARY SEWERS

500.1. Description. This section covers excavation and trenching work and shall include the necessary clearing, grubbing, and preparation of the site; removal and disposal of all debris; excavation and trenching as required; the handling, storage, transportation, and disposal of all excavated material; all necessary sheeting, shoring, and protection work; preparation of subgrades; pumping and dewatering as necessary or required; protection of adjacent property; backfilling; pipe embedment; surfacing and grading; site restoration; and other appurtenant work.

500.2. General Requirements. Excavation shall provide adequate working space and clearance for the work to be performed therein. In no case shall excavation faces be undercut.

Subgrade surfaces shall be clean and free of loose material of any kind when concrete is placed undercut.

Backfilling and construction of fills and embankments during freezing weather shall not be done except by permission of the Engineer. No backfill, fill, or embankment materials shall be installed on frozen surfaces, nor shall frozen materials, snow, or ice be placed in any backfill, fill, or embankment. All rock which cannot be handled and compacted as earth shall be kept separate from other excavated materials and shall not be mixed with backfill or embankment materials except as specified or directed by the Engineer.

500.3. Classification of Excavated Materials. No classification of excavated materials will be made for payment purposes except for rock excavation as specifically noted in the project proposal. Excavation and trenching work shall include the removal and subsequent handling of all materials excavated or otherwise removed in performance of the Contract work, regardless of the type, character, composition or condition thereof except for rock excavation. Payment for rock excavation shall be based upon the depth of rock encountered and standard details 540.01 and 540.02. Payment for rock excavation at manholes or other structures shall be based on the outside diameter or dimensions plus 4 feet to allow a working space of 2 feet beyond each exterior wall.

500.4. Site Preparation. All sites to be occupied by permanent construction or embankments shall be cleared of all logs, trees, roots, brush, tree trimmings, and other objectionable materials and debris. All stumps shall be grubbed. In addition, subgrades for fills and embankments shall be cleaned and stripped of all surface vegetation, sod, and organic topsoil. All waste materials shall be removed from the site and disposed of by the Contractor and at his expense. Topsoil shall be stripped and stockpiled for reuse as specified herein.

500.5. Clearing. The Contractor shall do all clearing necessary for access, stringing of pipeline materials, and construction of the pipelines and appurtenant structure.

Contractor shall do all clearing necessary for performance of his work and shall confine his operations to that area provided through easements, licenses, agreements and rights-of-way. The contractor's entrance upon any lands outside of that area provided by easements, licenses, agreements or public rights-of-way, shall be at the Contractor's sole liability.

Property owners shall be notified by the contractor at least two (2) weeks prior to the proposed construction starting date. The notification will allow property owners to remove any small plants or flowers they desire to save.

Clearing along creek banks, ditches, swales, etc. shall be kept to a minimum as necessary for sewer or force main installation, to minimize bank erosion prior to riprap installation.

500.6. Use of Explosives. The Contractor shall comply with all laws, ordinances, applicable safety code requirements, and regulations relative to the handling, storage, and use of explosives, and the protection of life and property. The Contractor shall be responsible for all damage caused by his blasting operations. Suitable methods shall be employed to confine all materials lifted by blasting within the limits of the excavation or trench.

All rock which can't be handled and compacted as earth shall be kept separate from other excavated materials and shall not be mixed with backfill or embankment materials except as specified or directed.

500.7. Unauthorized Excavation. Except where otherwise authorized, shown, or specified, all materials excavated below the bottom of concrete walls, footings, slabs on grade, and foundations shall be replaced, by the Contractor and at his expense, with concrete placed at the same time and monolithic with the concrete above.

500.8. Dewatering. The Contractor shall provide and maintain adequate dewatering equipment to remove and dispose of all surface and ground water entering excavations, trenches, or other parts of the work. Each excavation shall be kept dry during subgrade preparation and continually thereafter until the structure is to be built, or the pipe to be installed herein, is completed to the extent that no damage from hydrostatic pressure, flotation, or other cause will result.

All excavations for concrete structures or trenches which extend down to or below ground water shall be dewatered by lowering and keeping the ground water level beneath such excavations 12 inches or more below the bottom of the excavation.

Surface water shall be diverted or otherwise prevented from entering excavated areas or trenches to the greatest extent practicable without causing damage to adjacent property.

The Contractor will be held responsible for the condition of any pipe or conduit which he may use for drainage purposes, and all such pipes or conduits shall be left clean and free of sediment.

500.9. Sheet piling and Shoring. If any sheet piling or shoring is to be done an engineered plan shall be submitted to Sanitary Sewer Utility. The plan will be reviewed for loadings on the pipe. The plan must be approved by the Engineer prior to beginning work. Except where banks are cut back on a stable slope, excavation for structures and trenches shall be sheeted, braced, and shored, as necessary, to prevent caving or sliding.

Trench sheeting shall not be pulled before backfilling unless the pipe strength is sufficient to carry trench loads based on trench width to the back of sheeting, nor shall sheeting be pulled after backfilling. With the concurrence of the Engineer, sheeting shall be left permanently in the trench.

Where trench sheeting is left in place, such sheeting shall not be braced against the pipe, but shall be supported in a manner which will preclude concentrated loads or horizontal thrusts in the pipe. Cross braces installed above the pipe to support sheeting may be removed after pipe embedment has been completed.

500.10. Stabilization. Subgrades for concrete structures and trench bottoms shall be firm, dense, and thoroughly compacted and consolidated; shall be free from mud and muck; and shall be sufficiently stable to remain firm and intact under the feet of the workmen.

Subgrades for concrete structures or trench bottoms, which are otherwise solid, but which become mucky on top due to construction operations, shall be reinforced with one (1) or more layers of crushed rock or gravel. The stabilizing material shall be spread and compacted to a depth of not more than 4 inches, which shall be furnished and installed as specified for granular fills. Not more than 1/2-inch depth of mud or muck shall be allowed to remain on stabilized trench bottoms when the pipe bedding material is placed thereon. The finished elevation of stabilized subgrades for concrete structures shall not be above subgrade elevations indicated on the drawings.

All stabilization work shall be performed by and at the expense of the Contractor.

500.11. Topsoil Removal and Replacement. In all areas of the construction easement for sanitary sewers, in all areas to be graded or where fills or embankments are to be constructed and any other areas of the project where the original topsoil will be covered, damaged, or disturbed, the topsoil shall be removed, stockpiled, and replaced.

Topsoil shall be removed to a minimum depth of 6 inches or to the actual depth of the topsoil where greater than 6 inches, and shall be carefully segregated and stockpiled for replacement after construction has been completed. No mixing with other excavated materials or waste granular bedding materials will be permitted.

500.12. Trench Excavation. The Contractor shall not open more trench in advance of pipe laying than is necessary to expedite the work. The trench shall be backfilled at the end of each day except as may be required to begin the next day's work. Trenches in the road shall be plated with steel sheets or patched with cold patch overnight. The maximum length of open trench on any line under construction shall be 300 feet.

Except where tunneling is indicated on the drawings, or is permitted by the Engineer, all trench excavation shall be open cut from the surface.

- a. Alignment and Minimum Cover. The alignment of each pipeline shall be fixed and determined from offset stakes. Vertical and horizontal alignment of pipes, and the maximum joint deflection used in connection therewith, shall be in conformity with requirements of the section covering installation of pipe. Establish required uniform line and grade in trench from benchmarks identified by City Engineer. Maintain this control for minimum of 100 feet behind and ahead of pipe-laying operation. Use

laser beam equipment to establish and maintain proper line and grade of work.

- b. Limiting Trench Widths. Trenches shall be excavated to a width which will provide adjacent working space and sidewall clearances for proper pipe installation, jointing, and embedment and shall follow the minimum trench width (payline) shown on standard details 540.01 and 540.02.

1. Minimum Sidewall Clearance. Minimum permissible sidewall clearance between installed pipe and each trench wall, expressed in inches, shall be the outside diameter of the pipe divided by six (6) ($D_o/6$). Ledge rock, boulders, and large stones shall be removed to provide a minimum clearance of four inches (4") on each side of all pipes.

The stipulated minimum sidewall clearance is not minimum average clearance, but is minimum clear distances which are required.

2. Maximum Trench Widths. The maximum trench width for sanitary sewer pipe is shown on standard details 540.01 and 540.02.

Where necessary to reduce earth load on trench banks to prevent sliding and caving, the banks may be cut back on slopes and shall not extend lower than 1 foot above the top of the pipe.

- c. Unauthorized Trench Widths. Where, for any reason, the width of the lower portion of the trench as excavated at any point exceeds the maximum permitted in the foregoing specifications: either; pipe of adequate strength, special pipe embedment, or arch concrete encasement, as required by the loading conditions and with the concurrence of the Engineer, shall be furnished and installed by the contractor and at his expense.

- d. Mechanical Excavation. The use of mechanical equipment will not be permitted in locations where its operation would cause damage to trees, buildings, culverts, other existing property, utilities, or structures above or below ground. In all such locations, hand excavation methods shall be used.

Mechanical equipment used for trench excavation shall be of a type, design, and construction, and shall be such operated, that the rough trench excavation bottom elevation can be controlled, that uniform trench widths and vertical sidewalls are obtained at least from an elevation of one foot above the top of the installed pipe to the bottom of the trench, and that trench alignment is such that pipe when accurately laid to specified alignment will be centered in the trench with adequate clearance between the pipe and sidewalls of the trench. Undercutting the trench sidewall to obtain clearance will not be permitted.

- e. Cutting Asphalt or Concrete Pavement. Cuts in asphalt or concrete pavement or sidewalks shall be not larger than necessary to provide adequate working space for proper installation of pipe and appurtenances. Cutting shall be started with a

concrete saw in a manner which will provide a clean groove at least 1-1/2 inches deep along each side of the trench and along the perimeter of cuts for structures.

Pavement over trenches excavated for pipelines shall be removed so that a shoulder not less than 12 inches in width at any point is left between the cut edge of the pavement and the top edge of the trench. Where necessary, trench banks may be sloped back as needed, and the width of pavement removed shall be adjusted accordingly. Trench width at the bottom shall not be greater than at the top and no undercutting will be permitted. Pavement cuts shall be made to and between straight or accurately marked curved lines that, unless otherwise required, shall be parallel to the centerline of the trench. Temporary pavement patches shall contain a minimum of 3 inches of cold mix as noted in the Street and Storm Sewer Specification Standard Details–Pavement Replacement (120.01).

- f. Excavation Below Pipe Subgrade. Except where otherwise required, pipe trenches shall be excavated below the underside of the pipe, as shown on the Pipe Embedment Detail 540.01, and 540.02, to provide for the installation of granular embedment pipe foundation material. Ledge rock, boulders, and large stones shall be removed to provide a minimum clearance of four inches (4") below all pipes.
- g. Artificial Foundations in Trenches. Whenever so ordered by the Engineer, the Contractor shall excavate to such depth below grade as the Engineer may direct and the trench bottom shall be brought to grade with crushed stone foundation material, or such material as the Engineer may order installed. All timber, concrete, or other foundations made necessary by unstable soil shall be installed as directed by the Engineer. Compensation for extra excavation and timber, concrete, or other foundations, except where provided by contract unit prices, shall be made in accordance with the contract provisions for extra work.

Where crushed stone artificial foundations in trenches are required, the material shall be placed on suitably prepared subgrades and shall conform to the requirements of section 201.12.b.

- h. Bell Holes. Bell holes shall provide adequate clearance for tools and methods used in installing pipe. No part of any bell or coupling shall be in contact with the trench bottom, trench walls, or granular embedment when the pipe is jointed.

500.13. Pipe Embedment. Embedment materials for the sanitary sewer, both below and above the bottom of the pipe, classes of embedment to be used, and placement and compaction of embedment material shall conform to the requirements shown on the Pipe Embedment Details 540.01 and 540.02 and to the following supplementary requirements. RCP, VCP, and DIP shall be considered rigid pipes. PVC, HDPE and CMP shall be considered flexible pipe however, HDPE and CMP are not acceptable for sanitary sewer uses.

Embedment material shall contain no cinders or other material which may cause pipe corrosion.

- a. Placement and Compaction. Granular embedment material shall be spread and the surface graded to provide a uniform and continuous support beneath the pipe at all points between bell holes or pipe joints. It will be permissible to slightly disturb the finished subgrade surface by withdrawal of pipe slings or other lifting tackle.

After each pipe has been graded, aligned, and placed in final position on the bedding material and shoved home, 3/4" clean rock material shall be placed under the center of the pipe a distance of $D_o/3$ before the pipe is placed). 3/4" clean rock bedding material shall be deposited and compacted to 95% on either side of the loosely placed bedding material and around each side of the pipe up to the springline and back of the bell or end thereof to hold the pipe in proper position and alignment during subsequent pipe jointing and embedment operations.

- b. VCP. Pipe shall be bedded according to ASTM C12 and details for rigid pipe bound in this manual.
- c. RCP. Pipe shall be bedded according to the Type 3 installation as recommended by the American Concrete Pipe Association and the details bound in this manual for rigid pipe.
- d. DIP. Pipe shall be bedded according to ASTM A746 and the details for rigid pipe bound in this manual.
- e. PVC. Pipe shall be bedded according to ASTM D2321 and the details for flexible pipe bound in this manual.

500.14. Trench Backfill. All trench backfill above the springline of the pipe embedment shall conform to section 201.12 and as shown in details 540.01 and 540.02.

If concrete arch encasement is required, a layer of backfill material not more than 8 inches deep may be placed over concrete arch encasement after the concrete has reached its initial set, to aid curing. No additional backfill shall be placed over arch encasement until the concrete has been in place for at least three (3) days.

- a. Compacted Backfill. Compacted backfill will be required for the full depth of the trench above the embedment in the following locations:
1. Where beneath pavements, surfacings, driveways, curbs, gutter, walks, or other surface construction, or structures.
 2. Where in street, road, or highway shoulders.
 3. In established lawn areas, backfill may be suitable job excavated material or as specified in section 201.12
- b. Omitted

- c. Responsibility of Contractor for Backfill Settlement. The Contractor shall be responsible for the satisfactory compaction and maintenance thereof, of all trenches and structural excavation of any description required under this Contract. Contractor shall warrant their work for at least the correction period from the date of acceptance. If prior to the expiration of this warranty, any trenches or other excavations are found to have settled they shall immediately be reworked by the Contractor and restored to the specified grades. Any sod, paving, or other surfacing damaged by settlement of trenches shall be replaced by the Contractor and at his expense.
- d. Topsoil Replacement. Topsoil removed and stockpiled in advance of trench excavation shall be replaced after trench backfilling operations are completed and initial settlement has taken place. Trench backfill shall be completed to such elevation as required to allow settlement and to permit the replacement of all topsoil which had been removed and stockpiled.

500.15. Fill and Embankments. Where filling is required to raise the subgrade under areas to be paved or surfaced, all fill materials shall consist of earth or other approved material. All organic or other undesirable material shall be removed. Where embankments, regardless of height, are placed against hillsides or existing embankments, either of which have a slope steeper than 1 vertical to 4 horizontal, the existing slope shall be benched or stepped in approximately 24 inch rises as the new fill is brought up in 8 inch maximum layers or lifts. The material bladed out, the bottom of the area cut into, and the embankment material being placed, shall be compacted to the required density. Material cut out, bladed into place and compacted shall not be measured and paid for directly but will be considered as incidental work.

All fill under paved surfaces such as streets and parking lots shall be compacted by a power roller or other approved equipment and the subgrade brought to a reasonably true and even plane. Earth used for fill shall be placed in layers not more than 8 inches thick, an uncompacted measurement, and shall be compacted as specified before the next layer is placed. Each layer shall be wetted or dried as necessary, and shall be compacted to the required density. Regardless of the type of equipment used, the roadway shall be compacted uniformly and the surface kept reasonably smooth at all times. If large pieces of heavy clay are encountered, the material shall be broken down by suitable manipulation to permit satisfactory embankment construction. If shale is encountered, the shale shall be broken down as much as practical and compacted at or above optimum moisture.

Each layer shall be uniformly spread, moistened as required, and then compacted to 90% of maximum density, obtained at the optimum moisture content, as determined by AASHTO Method T-99-38. The top 18 inches shall be compacted to 95% of maximum density. The field density of the lift will be determined in accordance with AASHTO T 191 or T 205, using the total material or T238, Method B Direct Transmission, for wet density. If nuclear density methods are used, moisture content will be determined in accordance with AASHTO T239. One test shall be taken for every 1,000 linear feet or fraction thereof for each lift. Testing is to be done by a third party independent testing agency or by the Contractor if the Contractor has demonstrated to the Engineer that Contractor employs qualified persons and maintains qualified equipment to conduct density testing. Test results

shall be furnished on forms acceptable to Engineer. Costs of all testing and retesting are the responsibility of the Contractor.

500.16 Structural Backfill. Backfilling of all structures shall be permitted only after an adequate curing time, as determined by the Engineer, has elapsed.

All excavations shall be backfilled to the lines and grades shown on the drawings. In no instance shall backfill be dumped, bull-dozed, or otherwise deposited in bulk upon the newly-constructed structure. After the required curing time, the excavation shall be backfilled by depositing, entirely without shock and with careful pneumatic tamping, suitable earth, sand, or other acceptable material in lifts not to exceed 6 inches in compacted thickness. Backfill shall be deposited at approximately the same elevation on opposite sides of the structure and shall be compacted in place to a density equal to or greater than ninety-five percent (95%) of maximum density as determined by the Standard AASHTO Method T-99-38. Inundated sand backfill shall not be used.

No trench backfill material containing rock, or debris from rock excavation, shall be placed in the upper 24 inches of the excavation except with the specific permission of the Engineer. Large stones may be placed in the remainder of the trench backfill only if well separated and so arranged that no interference with backfill compaction will result.

Any deficiency in the quantity of material for backfilling the excavation, or for filling depressions caused by settlement, shall be supplied by the Contractor. All excavated material in excess of that necessary to fill the trench to the grade shown on the drawings shall be removed and disposed of by the Contractor.

500.17. Final Grading. After other outside work has been finished, and backfilling and embankments completed and settled, all areas on the site of the work which are to be graded shall be brought to grade at the indicated elevation, slopes, and contours. Use of graders or other power equipment will be permitted for final grading and dressing of slopes, provided the result is uniform and equivalent to hand work. All surfaces shall be graded to secure effective drainage. Unless otherwise shown, a slope of at least one percent shall be provided.

Topsoil removed and stockpiled as part of site preparation work shall be used to surface and finish all fills and embankments which do not require gravel surfacing.

Grading and surfacing shall be completed to the satisfaction of the Engineer.

500.18. Tests. As stipulated in the quality control section, all tests required for preliminary review of materials shall be made by an acceptable independent testing laboratory at the expense of the Contractor. A gradation test shall be made for each type of embedment or backfill material and one additional gradation test shall be made for each additional 500 tons of each material. Contractor shall furnish compaction test reports by a third party certified testing agency which is acceptable to the City. Tests shall be taken once for every 300 linear feet or fraction thereof for each lift. Costs of all tests and retesting shall be borne by the contractor.

500.19. Tunnel Excavation. Pipelines shall be constructed in tunnels of the type designated on the contract plans, in conformity with the following requirements: Before starting work on any

tunnel, detailed drawings, specifications, and other data covering the lines to be used shall be submitted in accordance with the submittals section.

The minimum clear inside diameter of the tunnel liner shall not exceed the outside diameter of the carrier pipe joints or couplings by 4 inches unless specifically indicated on the drawings.

- a. Casing Pipe. New, smooth, wall, welded steel pipe fabricated from ASTM A36 plate or ASTM A 570 sheet with a minimum yield point of 36,000 psi conforming to AWWA C200. The casing pipe shall have a wall thickness as follows:

Wall Thickness

Casting Diameter (inches)	Under Highways (inches)	Under Railroad (inches)
Under 14	0.188	0.250
14 to 16	0.188	0.281
18	0.250	0.312
20	0.250	0.344
22	0.250	0.375
24	0.281	0.406
26	0.281	0.438
28 to 30	0.312	0.469
32	0.312	0.500
34	0.312	0.531
36	0.344	0.531
38 to 40	0.344	0.563

- b. Coatings and Linings. The casing pipe shall be cleaned and coated both inside and outside with two (2) coats of coal tar paint, Kippers “Bitumastic Super Service Black”, Mobil “High-Build Bituminous Coating 35-J-10”, or Tnemec “46-449 Heavy Duty Black”.
- c. Joints. All joints in steel pipe casings shall be field welded to conform to API 1104 or AWWA C206.
- d. Casing Installation. The casing shall be installed by jacking into place. Earth displaced by the conduit shall be removed through the interior of the conduit by hand, by auger, or by other acceptable means. Sections of the casing pipe shall be welded together to form a continuous conduit capable of resisting all stresses, including jacking stresses. The casing pipe conduit in its final position shall be straight and true in alignment and grade, as required on the drawings. There shall be no space between the earth and the outside of the casing.
- e. Casing spacers. Type 1 or Type 2 casing spacers shall be used in bores where sanitary sewer pipe is 15 inches in diameter and smaller, length of bore is 250 linear feet or less.

Type 2 casing spacers shall be used in bores where the sanitary sewer pipe diameter is larger than 15 inches or longer than 250 linear feet.

1. Type 1 Casing Spacers. Casing spacers shall be non-metallic, molded in segments for field assembly without any special tools. The casing spacers shall have minimum compression strength of 3,000 psi and minimum impact strength of 1.5 ft-lbs/inch. The casing spacers shall have full length, integrally molded skids designed to provide a minimum of 0.75 inches of clearance between the carrier pipe's greatest outside diameter and the casing pipe's inside diameter. The skids shall be beveled with high abrasion resistance and a low friction coefficient. Metal, Type 304 (18-8) stainless steel bolts may be used to secure the segments together. Acceptable manufactures and models are: PSI Ranger II, Advance Products & System Model CI.
2. Type 2 Casing Spacers. The casing spacers shall have a bolt on shell made in two (2) sections. All metal components shall be Type 304 (18-8) Stainless Steel. It shall have an elastomeric liner to isolate the shell from the carrier pipe. It shall have runners attached to the shell and be designed to provide a minimum of 0.75 inches clearance between the carrier pipe's greatest outside diameter and the casing pipe's inside diameter. The chock runners shall be beveled with high abrasion resistance and a low friction coefficient. Acceptable manufacturers and models are: PSI S8G-2 and PSI S12G-2, Power Seal #4810, Cascade CCS series and Advance Products & Systems Model SSI.

f. End Seals. Both ends of each tunnel liner shall be closed seamless pull-on-type synthetic rubber end seals. The end seals shall be secured to the casing and carrier pipe with T-304 stainless steel banding straps with a 100% non-magnetic worm gear mechanism. The end seal installation shall not require any special tools. Acceptable manufacturers and models are: Advance Products & Systems Models AC & AM, PSI Models C & S.

g. Boring and Jacking Pipe. After dewatering as required, the casing pipe shall be installed by boring and simultaneously jacking the pipe in place. There shall be no annular space between the outside of the casing pipe and the undisturbed earth. If necessary to reduce friction and ensure that the entire length of casing pipe can be jacked in place, bentonite slurry or a suitable chemical gel shall be pumped to the head of the bore to lubricate the exterior casing pipe walls.

500.20. Stream Crossings.

a. Cover Depth. The top of all sewers entering or crossing streams shall be at a sufficient depth below the natural bottom of the stream bed to protect the sewer line. In general, the following cover requirements must be met:

1. One foot (1') (0.3 m) of cover is required where the sewer is located in rock;
2. Three feet (3') (0.9 m) of cover is required in other material. In major streams, more than three feet (3') (0.9 m) of cover may be required;

3. In paved stream channels, the top of the sewer line should be placed below the bottom of the channel pavement; and
 4. Less cover will be approved only if the proposed sewer crossing will not interfere with future modifications to the stream channel. Justification for requesting less cover shall be provided to the Engineer.
- b. Structures. The sewer outfalls, headwalls, manholes, gateboxes, or other structures shall be located as not to interfere with the free discharge of flood flows of a stream.
 - c. Materials. Sewers entering or crossing streams shall be constructed of ductile iron pipe with mechanical joints; otherwise, they shall be constructed so they will remain watertight and free from changes in alignment. Material used to backfill the trench shall be stone, coarse aggregate, washed gravel or other materials which will not readily erode, cause siltation, damage pipe during placement, or corrode the pipe.
 - d. Aerial Crossings. Aerial crossings will be considered on a case-by-case basis and if approved by the City shall meet the following requirements:
 1. Support shall be provided for all joints in pipes utilized for aerial crossings. The supports shall be designed to prevent frost heave, overturning, and settlement.
 2. Precautions against freezing, such as insulation and increased slope, shall be provided. Expansion jointing shall be provided between above-ground and below-ground sewers. Where buried sewers change to aerial sewers, special construction techniques shall be used to minimize frost heaving.
 3. For aerial crossings, the impact of flood waters and debris shall be considered. The bottom of the pipe should be placed no lower than the elevation of the fifty (50)-year flood.
 4. Aerial crossings shall be constructed of ductile iron pipe with mechanical joints; otherwise, they shall be constructed so that they will remain watertight and free from changes in alignment or grade.

500.21. Drainage Maintenance. Trenches across roadways, driveways, walks, or other trafficways adjacent to drainage ditches or water courses shall not be backfilled prior to completion of backfilling the trench on the upstream side of the trafficway, to prevent impounding water after the pipe has been laid. Bridges and other temporary structures required to maintain traffic across such unfilled trenches shall be constructed and maintained by the Contractor. Backfilling shall be done so that water will not accumulate in unfilled or partially filled trenches. All material deposited in roadway ditches or other water courses crossed by the line of trench shall be removed immediately after backfilling is completed and the original section, grades, and contours of ditches or water courses shall be restored. Surface drainage shall not be obstructed longer than necessary.

500.22. Protection of Trench Backfill in Drainage Courses. Where trenches are constructed in ditches or other water courses, backfill shall be protected from surface erosion. Where the grade of the ditch exceeds one (1) percent, ditch checks shall be installed. Unless otherwise indicated on the drawings, ditch checks shall be concrete. Ditch checks shall extend not less than 2 feet below the original ditch or water course bottom for the full bottom width and at least 18 inches into the side slopes and shall be at least 12 inches thick.

500.23. Disposal of Excess Excavated Materials. Insofar as needed, suitable excess excavated materials shall be used in fills and embankments indicated on the drawings. Except as otherwise permitted, all excess excavated materials shall be disposed of away from the site of the work.

Broken concrete and other debris resulting from pavement or sidewalk removal, excavated rock in excess of the amount permitted to be and actually installed in trench backfill, junk, and debris encountered in excavation work and other similar waste materials shall be disposed of away from the site of the work.

Earth from excavations located in unimproved property shall be distributed directly over the pipe trench and within the pipeline right-of-way in such a way that the finish grade of the replaced topsoil will be 6 inches above the original ground surface elevation at and across the trench and sloping uniformly each way. Material thus distributed shall be carefully finished with a drag, blade machine, or other suitable tool to a smooth, uniform surface without obstructing drainage at any point. At previous natural drainage ways crossing the sewer alignment, the mounded finish grade shall be sloped to form a drainage swale suitable to allow runoff to drain and shall not cause ponding. Placement of excavated material in the above manner will not be permitted where the line of trench crosses or is within a public road or highway right-of-way.

The disposal of waste and excess excavated materials, including hauling, handling, grading, and surfacing shall be a subsidiary obligation of the Contractor and no separate payment will be made there for.

500.24. Settlement. The Contractor shall be responsible for all settlement of backfill, fills, and embankments which may occur within the correction period stipulated in the General Requirements Section 5.9.

The Contractor shall make, or cause to be made, all repairs or replacements, including reseeding or resodding as required, made necessary by settlement within 30 days after notice from Engineer or Owner.

500.25. Erosion Control. To prevent erosion of creek banks at points where the sewer crosses, the removal of trees and vegetation along the creek banks shall be minimized.

At each creek crossing, where indicated on the plans, a one-foot high and 4-foot wide berm shall be constructed adjacent and parallel to the top of each bank, so runoff will flow along the berm and be deflected to undisturbed vegetated areas before entering the creek.

At each creek crossing, where indicated on the plans, the restored creek bank shall be protected by 2 feet of riprap on top of 6 inches of filter blanket rock which shall be placed on top of a 4-foot thick ground water barrier. The riprap and filter blanket rock shall cover an area from the bottom of the channel to the top of the berm and extend 5 feet into undisturbed earth on each side. The ground water barrier shall cover an area from the bottom of the sewer trench to the top of the berm for the full trench width.

- a. Materials. The material for riprap shall consist of a predominantly one-sized, durable stone, shot rock or broken concrete. Acceptance by the engineer may be made by visual inspection. Riprap material shall be either Type 1, or 2, per below.

Type 1 Riprap shall consist of at least 40 percent of the mass being pieces having a volume of one cubic foot or more.

Type 2 Riprap shall consist of at least 60 percent of the mass being pieces having a volume of one cubic foot or more.

A geotextile material shall separate the subgrade from the riprap. Geotextile material shall be AASHTO M288-96 Class 2 with a minimum permittivity of 1.0 sec^{-1} and an apparent opening size of 0.22 mm MARV. Lap seams per manufacturers recommendations.

Riprap shall be placed to the approximate shape and thickness shown on the plans for the specified ditch or as directed by the Engineer. The rock shall be dumped on a subgrade of reasonably uniform density and left in a rough condition meeting the approval from the Engineer.

Grouted riprap shall not be allowed unless approved by the Engineer.

- a. Filter Blanket Rock. The material shall be durable and may be either crushed stone or gravel of a combination of both. The rock shall be reasonably well graded with a maximum size of 4 inches in diameter and an average size of one inch in diameter.
- b. Placement. The ground water barrier shall be placed and compacted in one-foot layers for the total thickness below the filter blanket rock. The geotextile is to be placed on top of grade. The filter blanket rock shall be carefully dumped in place so as to prevent damage to the filter blanket layer. The completed riprap shall form a uniform 2-foot thick layer with a tight surface. Each layer need not be compacted, but shall be graded in a manner to ensure that the larger fragments are uniformly distributed and that the smaller fragments serve to fill the voids between the larger fragments. Hand placement of fragments or compaction will be required only to the extent necessary to obtain the required results. A trench at the toe of the slope shall be excavated to the depth shown on the plans, or to a depth of 2 feet if not otherwise shown on the plans.

All costs in connection with erosion control, including ground water barrier, filter blanket, and riprap shall be included in the cost of sewer pipe in place.

- c. Ground Water Barrier. Ground water barriers shall impede passage of water through the pipe embedment material. Barrier material shall meet soil classification GC, SC, CL, or ML-CL, and shall be compacted to 95% of maximum density. Material may be finely divided suitable job excavated material, free from stones, organic matter and debris. Ground water barriers shall be compacted soil the full depth of granular material plus 1 foot above the granular material, the full trench width, at least 4 feet long with a minimum depth of 4 feet.

- d. Stream Crossing Cleanup. Cleanup of stream crossings shall begin immediately after sewer construction and backfilling can be completed. Exposed disturbed areas in stream crossings shall not remain unprotected for more than seven (7) days.

500.26. Cleanup Work. The Contractor shall provide sufficient labor forces and equipment to maintain cleanup operations closely behind pipe laying operations. Every advantage shall be taken of periods of good weather for general cleanup, grading, topsoiling, seeding, sodding, etc. Items of work such as manhole construction, road cuts, pavement replacement, and all other restoration work shall not be allowed to lag behind the pipe installation. Special attention shall be given to maintaining road crossings. Streets to be opened to local traffic at the end of the day's operation shall be cleaned of dirt and mud. Streets which are not open to traffic shall be cleaned regularly to be kept free of dirt and mud. Street sweeping equipment shall capture and contain dust and debris. Powered broom attachments shall be of the pick-up type. All equipment and material stockpiles shall be secured for safe passage of vehicles and pedestrians. Traffic control in conformance with the Manual of Uniform Traffic Control Devices shall be in place prior to opening the road to traffic.

All temporary pavement patches must be kept flush with adjacent paved surfaces between asphalt paving seasons. Ruts and other depressions caused by settling, vehicular traffic, etc., shall be continuously filled and graded for maintenance of a smooth traveled surface and minimum inconvenience to the public. All material stockpiles shall be secured for safe passage of vehicles and pedestrians. If, in the opinion of the Engineer, cleanup and miscellaneous items of work and construction are allowed to lag, the Contractor will be required to stop pipe installation until such work is caught up.

A percentage of the unit and lump sum prices will be withheld from payments for pipe installation, manhole construction, etc., in areas where cleanup and restoration have not been completed. This percentage will be in excess of the specified 10% retained for completed work.

SECTION 505

SANITARY SEWER PIPE

505.1. Description. This section covers sanitary sewer pipe and fittings to be furnished complete with all jointing materials and appurtenances.

Pipe shall be installed and tested in accordance with Section 515 - Sewer Pipe Installation and Testing.

505.2. Materials for Public Sewer Lines. Pipe and fittings, jointing materials, and appurtenant materials shall be shown on the drawings and as specified herein.

- a. PVC PIPE - PVC pipe and fittings shall be permitted for sewers up to 27 inches in diameter. The use of PVC pipe for sewers larger than 27 inches in diameter will be considered on a case by case basis. PVC pipe shall meet either the sewer pipe specifications or the pressure pipe specifications listed below depending upon the depth of sewer installed.
 1. Gravity Sewers Up to 15 Feet Deep. At a minimum the gravity sewer pipe shall be SDR 35 PVC. Pipe up to 15 inches in diameter shall conform to ASTM D-3034. Pipe with a diameter 18 inches or larger shall conform to ASTM F-679. The use of pipe conforming to ASTM F-794 and ASTM F-1803 will be considered on a case by case basis for pipe sizes 12 inches to 27 inches in diameter. Joints shall comply with the specifications below. Pipe embedment and backfill shall be in accordance with the Pipe Embedment Standard Detail 540.01 and 540.02.
 2. Gravity Sewers Between 15 Feet but Less Than 30 Feet Deep. At a minimum the gravity sewer pipe shall be SDR 26 heavy wall gravity sewer pipe. Pipe up to 15 inches shall conform to ASTM D-3034 (latest revision). Pipe with a diameter 18 inches or larger shall have a minimum stiffness of 115 psi and conform to ASTM F-679 (latest revision)

PVC pressure rated pipe shall be permitted as follows. PVC pipe shall meet AWWA C-900, or AWWA C-909, or AWWA C-905, or ASTM D-2241 SDR-26.

Joints shall comply with the specifications below. Pipe embedment and backfill shall be in accordance with the Pipe Embedment Standard Detail 540.01 and 540.02.
 3. For Gravity Sewers Installed Deeper Than 30 Feet Deep. Gravity sewers installed deeper than 30 feet deep shall only be approved on a case by case basis.

Jointing Materials

Ordinary joints	ASTM D3212, integral bell punch-on type elastomeric gasket joints
Field cut joints and connections to other piping materials	Can-Tex "C-T Adapters"; Dickey "Plastic Pipe Adapters"; "Flexible Couplings"; Mission "Eastern Standard Band-Seal Couplings" with stainless steel shear rings; Nashua Pre-Cast Corporation "Flex-O-Joint," "Mega Lug"; or equal Fernco "PVC Donuts" by approval of Engineer only.

- b. Ductile iron pipe (DIP). DIP shall be used for sanitary sewer in areas where the minimum 36 inches of cover over the top of pipe cannot be met, under creek crossings, deep gravity sewer applications, or as specified on the Contract plans. Pipe embedment and backfill shall be in accordance with the Pipe Embedment Standard Detail 540.01 and 540.02.

<u>Pipe</u>	Ductile iron, ANSI A21.51; ASTM A536, Grade 60-42-10; thickness, class 52
-------------	---

Fittings

Material	Gray iron, ANSI A21.10. 250 psi pressure rating, except shorter laying lengths will be acceptable or ductile iron, ASTM A536, Grade 80-60-03 or 70-50-05, ANSI A21.10, 350 psi pressure rating All gasketed fittings 4" through 15" must be injection-molded and comply with the ASTM D3034 and F1336 standards and must be certified by a third party testing agency to an industry standard.
----------	---

<u>Push-on Joints</u>	ANSI A21.11, except gaskets shall be neoprene or other synthetic rubber. Natural rubber will not be acceptable
-----------------------	--

<u>Flanged Joints</u>	ANSI A21.15
-----------------------	-------------

Flanges	ANSI B16.1, 125 lb or U.S. Pipe "Flange-Tyte"
Bolts	ASTM A 307, chamfered or rounded ends projecting 1/4 to 1/2 inch beyond outer face of nut
Nuts	ASTM A307, Hexagonal, ANSI B18.2, heavy semi finished pattern
Gaskets	ASTM D1330, Grade I rubber, ring type, 1/8-inch thick; or U.S. Pipe "Flange-Tyte", 1/8-inch thick

<u>Mechanical Joints</u>	ANSI A21.11
--------------------------	-------------

Mechanical joint with waterstop and tapped holes, single

Wall Castings casting or fabricated cast iron Midwest Pipe Fabricators "Adjustable Wall Pipe." All holes shall be plugged with plastic plugs.

Plastic Plugs Protective Closures "Caplug Series WW"

Mechanical Joints with Tie Rods

Tie Rods	ASTM A307
Steel Pipe	ASTM A210, standard weight
Washers	ANSI B27.2, plain steel

Mechanical Couplings

Couplings	Dresser Style 38 or Rockwell/Smith-Blair 441 or 411 Flexible Coupling; without pipe stop
Gaskets	Oil-resistant synthetic rubber

Shop Coating and Lining

Cement Lining	ANSI A21.4
Bituminous Coating	Manufacturer's standard
Rust-Preventative Compound	Houghton "Rust Veto 344" or Rush-Oleum "R9"

Field Coating Heavy coal tar paint, MIL-C-18480; Koppers "Bitumastic No. 50", or Mobil "35-J-10 Hi-Build Bituminous Coating"

- c. Reinforced Concrete Pipe (RCP). RCP shall be permitted for gravity sewers with a diameter of 30 inches and larger. RCP shall conform to ASTM C76 (latest revision) Class III, Wall B. Pipe embedment and backfill shall be in accordance with the Pipe Embedment Standard Detail 540.01 and 540.02
1. Joints ASTM C361, Bell and Spigot compressive type with resilient seals embedded in both ends and joined with O Ring rubber gaskets.
 2. All rubber and rings shall be extruded or molded and cured in such a manner that any cross section will be dense, homogeneous, and free of porosity, blisters, pitting and other imperfections. The basic polymer shall be EPDM hydrocarbon. The compound shall conform to the following requirements:
The rubber EPDM material shall meet ASTM C-443 with the exception of the 40-60 duro hardness.
For resilient interlocked end seals the hardness duro A shall be 40 to 70 ± 5.

3. Each concrete pipe section shall be tested at the site with low pressure air or equivalent vacuum test. The test shall be conducted in a manner using a cap, plug and gasket of the type and size to be used in the field to include the tongue and bell sealing surface. End to end testing using foam plates is not acceptable. Pipe passing the test shall be clearly marked "Air Tested."

505.3. Materials for Private Service Laterals. Pipe and fittings, jointing materials, and appurtenant materials shall be shown on the drawings and as specified herein. Private service laterals shall be a minimum of 4 inches in diameter.

- a. Pipe and fittings for private service laterals that connect to the public sewer main at a depth of 15 feet or less shall at a minimum be SDR 35 solid wall PVC sewer pipe and shall conform to ASTM D-3034.
- b. Pipe and fittings for private service laterals that connect to the public sewer main at a depth deeper than 15 feet but less than 20 feet shall at a minimum be SDR 26 heavy wall PVC gravity sewer pipe and conform to ASTM D-3034.
- c. Private service laterals shall not be connected to public sewers deeper than 20 feet.
- d. Service connections shall not be within five (5) feet of a manhole or lamphole (cleanout) or directly into a lamphole (cleanout).
- e. Individual service connections shall be separated horizontally by a minimum of two (2) feet.
- f. Service connections shall not be connected to a manhole. Food service establishments may connect directly to a manhole with written permission from the City of Columbia; however, these will be approved on a case by case basis.
- g. PVC hub to conform to ASTM Specification D-3034 (latest revision). Rubber sleeve and gasket shall conform to ASTM Specification F477 (latest revision).

505.3. Manhole Connections. The Contractor shall use precast manhole base sections with integral circular flexible gasket as specified in the sewer manholes section of these specifications, plain end pipe shall be installed through the gasket in accordance with the manufacturer's instructions.

When a new sewer line is being connected to an existing manhole the invert is to be modified by acceptable methods of adding or removing concrete to ensure an acceptable amount of fall (0.2'-1.5') through the manhole.

505.4. Drawings and Data. Drawings and data shall be submitted in accordance with the submittals section. Drawings and data shall include but not limited to the following:

- Details of joints
- Gasket material
- Pipe length
- Certification

505.5. Affidavit of Compliance. An affidavit shall be submitted to the Engineer certifying that pipe, fittings, and jointing materials are in compliance with the governing standards and specifications.

SECTION 506

SEWER LATERAL MARKING

506.1. General. When new lateral sewer pipes are installed and connected to an underground facility within the public right-of-way, or if such lateral is fully replaced by excavation within the public right-of-way, the Contractor shall be required to place tracer wire and an access point within a protective enclosure or cleanout for gravity sewer laterals. For sewer laterals operating under pressure or vacuum, the contractor shall be required to place an access point within a protective enclosure and shall not be required to place a cleanout. All protective enclosures and cleanouts shall be extended to grade and installed so that it is easily accessible.

506.2. Material

a. Tracer Wire. A green-coated No. 12 AWG copper clad steel tracer wire intended for direct bury, with minimum 30 mil HDPE insulation thickness, shall be installed the entire length of proposed sewer laterals as per the Standard Detail 12A & 13. For open cut trench, the tracer wire shall have a minimum break load of 450 lb. For boring, the tracer wire shall have a minimum break load of 1,150 lb. Tracer wire shall be terminated at an approved test station box as specified and be accessible from the surface.

b. Test Station Box. The tracer wire test station box shall be suitable for underground installation and constructed as per the Standard Detail 12A. Test station boxes shall be appropriately identified with a locking cast iron cover that is color coded green per APWA standards. Tracer wire test station boxes shall be manufactured by Copperhead Industries, LLC or approved equal and installed as per manufacturer's recommendations.

1. Light Traffic Areas- SnakePit #LD14GTP, or equal
2. Concrete/Driveway- SnakePit #CD14GTP, or equal
3. New Construction – SnakePit #LD14GTP-ADJ, or equal

c. Grounding. Tracer wire must be properly grounded at all dead ends/stubs. Grounding of tracer wire shall be achieved by use of a grounding anode specifically manufactured for this purpose. The anode shall be a drive in 1.5 lb bare magnesium anode. The 1.315" diameter anodes shall be connected to the green No. 12 AWG copper clad steel (ccs) wire and buried at the same elevation as the utility.

d. Connectors. Connectors shall be designed to seal out moisture and corrosion and be specifically manufactured for use in underground trace wire installation. Non locking friction fit, twist on or taped connectors are prohibited. Connectors shall be manufactured by Copperhead Industries, LLC, or approved equal.

506.3. Installation

a. The No. 12 insulated wire shall be placed along the top of the sewer lateral and taped in place with electrical tape at base of riser, sewer main, and 6' intervals in

between. Caution must be exercised in the initial backfilling not to move or damage the locator wire.

- b. Permanent access points shall be provided through test station boxes or other approved methods located directly above the utility and set to grade.
 - 1. Service Laterals on developed property. Tracer wire must terminate at an approved tracer wire test station box set to existing grade, located a maximum of 2' outside public right-of-way or easement, and out of the roadway.
 - 2. Service Laterals for new construction. Tracer wire must terminate at an approved tracer wire test station box extended 1' above the proposed final grade, located a maximum of 2' outside public right-of-way or easement.
- c. Tracer wire systems must be installed as a single continuous wire, except where using approved connectors. No looping or coiling of wire is allowed. Where splices become necessary outside of access boxes, the splices shall be made using corrosion proof/filled wire connectors.
- d. All tracer wire shall be tested for continuity prior to approval of the lateral by the City. Tracer wire installation shall be performed in such a manner that allows proper access for connection of line tracing equipment, proper locating of wire without loss or deterioration of low frequency (512Hz) signal for distances in excess of 1,000 linear feet, and without distortion of signal caused by multiple wires being installed in close proximity to one another.
- e. Any damage occurring during installation of the tracer wire must be immediately repaired by removing the damaged wire, and installing a new section of wire with approved connectors. Taping and/or spray coating shall not be allowed.

#

SECTION 510

SEWER MANHOLES

510.1. Description. This section covers standard and drop manholes. Manholes shall be constructed complete with covers, steps, vents, fittings, and other appurtenances, in accordance with the details and these specifications.

All doghouse manholes, inside drop manholes or any other material or construction practice that is not covered on the construction plans or these specifications shall request a variance in writing to the Sanitary Sewer Engineer of the City of Columbia. Such changes, as are authorized under this provision, shall be made without additional cost to the City of Columbia. The City of Columbia reserves the right to receive an equitable adjustment in contract price or contract time as a consideration for authorizing such change.

All standard and drop manholes shall be constructed of precast concrete sections. Only concentric precast concrete cones will be acceptable. When flat top manholes are used, the frame casting shall be cast into the center of the manhole top.

Only manholes which are required to have outside pipe and fittings for dropping wastewater into the lower line will be designated as drop manholes.

510.2. Materials.

<u>Concrete</u>	Materials, handling, forms, finishing, curing, and other work as specified in concrete section, except that only calcareous materials shall be used. Granitic materials shall not be used.
<u>Precast Section</u>	Circular precast concrete; ASTM C478, except as modified
Minimum Barrel Diameter	48" for pipe diameters less than 24" 60" for pipe diameters of 24" to 36"
Minimum Wall Thickness	5" minimum
Reinforcement	As indicated on the Standards
<u>Portland Cement</u>	ASTM C150
<u>Hydrated Lime</u>	ASTM C207, Type S
<u>Sand</u>	Concrete sand (fine aggregate) sieved through 8 mesh screen
<u>Shrinkage-Correcting Aggregate</u>	Master Builders "Embeco", Sika "Kemox", Sonneborn "Ferrolith G-DS", or equal
<u>Mortar</u>	One part Portland cement, 1/2 part hydrated lime, 3

	parts sand
<u>Non-shrinking Mortar</u>	Premixed or job mixed; job mixed shall be one part shrinkage-correcting aggregate, one part Portland cement, one part sand
<u>Gaskets</u>	
Mastic	Fed Spec SS-S-210; K.T. Snyder "Ram-Nek", Hamilton-Kent "Kent-Seal No. 2" Bidco "C-56", Conseal "CS-102" or equal
Rubber	Neoprene or other synthetic, 40 (plus or minus 5) hardness when measured by ASTM D2240, Type A durometer
<u>Coal Tar Paint</u>	Koppers "Bitumastic Super-Service Black", Polyguard "CA-14 Coating", Tnemec "46-449 Heavy Duty Black", or equal
<u>Castings</u>	Manhole and cleanout castings shall conform to ASTM A48, class 35 B. Manhole and cleanout casting dimensions shall conform to the Standard Details. Manhole lid shall have a minimum weight of 135 lbs +/- 5%. Manhole lid plus manhole frame shall have a total minimum weight of 350 lbs +/- 5%. Cleanout lid plus cleanout frame shall have a total minimum weight of 90 lbs +/- 5%.
<u>Sealing System</u>	Infi-Shield Uni Band or approved equal
<u>Joint Sealant</u>	Infi-Shield Seal Wrap or approved equal. Seal wrap to be made of high quality EPDM rubber. EPDM shall meet ASTM D2240, D412, D395, and D634
<u>Steps</u>	American ML-10-NCR or approved equal
<u>Corrosion Protection</u>	Citadel Technologies Inc. SLS-30, Raven 405 High-Build Epoxy or approved equal

510.3. Precast Concrete Sections. Precast sections shall conform in all respects to applicable requirements of Details of Standard Manholes as indicated in the standard details and shall contain reinforcing steel as required to prevent cracking during handling.

- a. Delivery. Precast concrete sections shall not be delivered to the job until representative concrete cylinders have attained strength of at least 80% of the specified minimum.
- b. Handling. Precast concrete sections shall be handled carefully and shall not be bumped or dropped. Hooks shall not be permitted to come in contact with joint surfaces. Use of lifting holes will not be permitted. Lift notches that are not deeper than one half of the wall thickness will be allowed. Lifting notches shall be repaired by cementing a properly shaped concrete plug in place with epoxy cement, or by other methods acceptable to the Engineer.
- c. Inspection. Precast concrete sections shall be inspected when delivered and all cracked or otherwise visibly defective units rejected.

510.4. Precast Concrete Base. The requirements of precast concrete sections shall apply to precast concrete bases. Precast bases shall be furnished with "A-Lok" continuous flexible gaskets for connecting piping. Part of the concrete invert fill may be furnished with the precast unit; however, a rough surface must be provided to improve bond with the final invert fill. At least the top 2 inches of the concrete invert fill must be installed in the field and shall conform exactly to the invert elevations of the connecting piping after installations. Surface shall be free of all dust, deleterious matter, and moisture prior to placing fill.

The connecting pipe shall be plain end, bevel cut spigots and shall not protrude more than 1 inch inside the manhole wall. A clear distance of at least 1 inch from the end of each connecting pipe and around the pipe shall be provided when the concrete invert fill is installed. This shall be provided under the pipe by a boxout with sides which are at right angles with each other. After completion of the manhole, the boxout shall be filled with suitable asphalt or mastic material, completely filling the space beneath the pipe and extending to at least the springline. The asphalt or mastic fill material shall provide a smooth, uniform surface between the inside diameter of the pipe and the manhole invert.

As shown on the plan or in extenuating circumstance where it is not possible to use "A-Lok" or approved equal continuous flexible gaskets and with the approval of the Engineer, precast bases may be furnished with suitable horseshoe shaped or circular boxouts with roughened or grooved surface to improve mortar bond for connecting piping, the space between connecting pipes and the wall or precast sections shall be completely filled with non-shrinking mortar.

When precast manhole sections with horseshoe shaped boxouts are used, the following items shall apply:

- a. For PVC. Pipe water stops as recommended or supplied by the pipe manufacturer shall be installed at the center of the manhole walls and grouted in place as specified in Section 510 - Sewer Manholes.
- b. For VCP and DIP. Pipe shall be flush at manhole walls and grouted in place as specified in Section 510 - Sewer Manholes.

510.5 Cast-in-Place Concrete Bases. Cast-in-place concrete manhole bases shall be allowed when it is required to construct a new manhole over an existing sanitary sewer line as shown on the Doghouse Manhole Standard Detail. When a cast-in-place concrete base is utilized the remainder of the manhole shall consist of precast manhole sections. When precast manhole sections with horseshoe shaped boxouts are used, 510.4 a. and 510.4 b. shall apply. The cast-in-place concrete base shall be constructed in accordance with the Doghouse Manhole Standard Detail.

510.6. Construction. All mortar shall be used within 40 minutes after mixing. Mortar which has begun to take initial set shall be discarded and shall not be mixed with additional cement or new mortar.

In no case shall the invert section through a manhole be greater than that of the outgoing pipe. The shape of the invert shall conform exactly to the lower half of the pipe it connects. Side branches shall be connected with as large radius of curve as practicable. All inverts shall be troweled to a smooth clean surface.

Circular precast sections shall be provided with a rubber or mastic gasket to seal joints between sections. Where mastic gaskets are furnished, the written installation recommendations of the manufacturer shall be available at the site of the work, and shall be strictly followed. For manhole risers, mastic gaskets with a nominal cross section as shown in the following table shall be furnished unless a different cross section is recommended in writing by the manufacturer.

<u>Minimum Manholes Diameter</u> (inches)	<u>Nominal Cross Section</u> (inches)
48	1 x 3
60	1 x 3
72	1 x 3-1/2

510.7. Bench. A bench shall be provided on each side of any manhole channel when the pipe diameter(s) are less than the manhole diameter. The bench should be sloped no less than a one-half inch per foot (0.5in/ft). No pipe shall discharge onto the surface of the bench.

510.8. Damproofing. The outside surfaces of each manhole shall be painted with one heavy coat of coal tar paint. Surfaces to receive paint shall be dry. Damproofing may be applied to precast units in the shop. If the shop coating is damaged during construction, a touch-up coat of paint as required shall be applied and allowed to dry prior to backfilling.

Where manholes are required to extend above finish grade, damproofing shall be terminated 6 inches below the finish grade line. All exposed surfaces of manholes above grades shall be plain concrete.

510.9. Corrosion Protection. Where corrosive conditions due to septicity or other causes are anticipated, corrosion protection on the interior of the manholes shall be provided as specified

510.10. Shallow Manholes. Shallow manholes shall conform in all respects to the applicable requirements of Standard Shallow Manhole Standard Detail.

510.11. Drop Manholes. Drop manholes shall conform in all respects to the applicable requirements of Standard Drop Manhole Standard Detail. Drop connections must not enter the manhole at a joint.

510.12. Drawings and Data. Drawings and data covering precast concrete sections or cast-in-place concrete manholes shall be submitted in accordance with the submittals section.

510.13 Manhole Seals.

- a. Each manhole joint shall be sealed with a 6 inch wide external rubber sleeve similar to the Infi-Shield Seal GatorWrap as manufactured by Sealing Systems, Inc, or approved equal. The seal shall be made of a Stretchable, Self-Shrinking, Intra-Curing Halogenated Based Rubber with a minimum thickness of 30 mils. The entire back side of each seal wrap shall be coated with mastic. The mastic shall be non-hardening butyl rubber sealant, with a minimum thickness of 30 mils. The seal shall be designed to stretch around the substrate then overlapped creating a cross link and fused bond between the rubber and butyl adhesive. The application shall form a continuous rubber seal that applies inward pressure on the protected area for the life of application. The butyl adhesive and the inward pressure exerted on the substrate shall prevent the intrusion of water and soil through the joint sections of the manhole. This seal shall be provided in addition to the joint sealing requirements outlined in the Standard Specifications.
- b. Each manhole casting shall be sealed to the manhole with an external sealing system similar to the Infi-Shield Uni-Band as manufactured by Sealing Systems Inc, or Riser-Wrap as manufactured by PSI, Inc or approved equal. The seal shall be a continuous band of EPDM (Ethylene Propylene Diene Monomer) rubber with a minimum thickness of 65 mils or high density polyethylene membrane with a minimum thickness of 2.5 mm. Prior to placement of the wrap system, the surfaces shall be coated with a primer capable of enhancing the mastic adhesion. The prime coat shall cover the entire surface area where the mastic is intended to adhere. The external sealing system shall be installed according to the manufacturer's recommendations. The external seal shall be extended onto the casting and the cone section a minimum of 2 inches. This requirement shall not apply to "Flat-Top" manholes where the frame is cast into the manhole lid.

510.14. Manhole Rings and Covers. The rings and covers of all manholes shall be set at the elevation shown on the drawings and solidly built into place. Concrete rings shall be grouted with cement mortar.

Plastic adjusting rings shall be injection molded recycled HDPE as manufactured by LADTECH, Inc. or approved equal and installed as per manufacturer's recommendations

The manhole adjusting rings shall be molded from high density polyethylene as defined in ASTM Specification D-4976. The annular space between the rings and cone basin, the rings, and

cover frame shall be sealed utilizing an approved butyl sealant. The contractor shall utilize flat and sloping units to match the required slope and or grade of the structure

The manhole lids shall clearly have cast into “Sanitary” on the top of the manhole lid. Manhole lids are to be water tight. Manhole covers are to be bolt down type in all floodplains.

SECTION 515

SEWER PIPE INSTALLATION AND TESTING

515.1. Description. This section covers installation and testing of all sewer pipe. Except where modified by specific requirement in this section, the written installation recommendations of the sewer pipe manufacturer shall be strictly followed. Sewer pipe materials are specified in other sections.

515.2. Handling. Pipe fittings and appurtenance shall be transported, stored, and handled in a manner which prevents damage. Hooks shall not be permitted to contact joint surfaces. Plastic pipe shall be shaded if necessary to prevent curvature due to thermal expansion. Damaged pipe shall be removed from the site.

515.3. Cleaning. The interior of all pipe and fittings shall be thoroughly cleaned before installation and shall be kept clean until the work has been accepted. All joint surfaces shall be kept clean until the joint is completed.

Every precaution shall be taken to prevent foreign material from entering the pipe during installation. No debris, tools, clothing, or other materials shall be placed in the pipe.

Whenever pipe laying is stopped, the open end of the pipe shall be closed with a manufacturers cap drilled with holes closely fitting the end of the pipe to keep sand and earth out of the pipe. The cap shall have several small holes near the center to permit water to enter the pipe and prevent flotation in the event of flooding of the trench.

No connection shall be made to the downstream system until the new system has been completed or the Engineer has approved the connection. If the connection is made the low end shall be plugged properly using a manufacturer's cap drilled with holes.

515.4. Alignment. Piping shall be laid to the lines and grades indicated on the drawings.

Laser beam equipment or surveying instruments shall be utilized to determine and maintain proper pipe line and grade. Establish required uniform line and grade in trench from benchmarks identified by the Engineer. Maintain this control for a minimum of 100 feet behind and ahead of pipe-laying operation.

Sewer mains shall be laid at least 10 feet (10') horizontally from any existing or proposed water main. The distances shall be measured edge-to-edge. In cases where it is not practical to maintain a ten-foot (10') separation, a deviation on a case-by-case basis may be allowed, if supported by data from the design engineer. Such a deviation may allow installation of the sewer closer to a water main, provided that the water main is in a separate trench or on an undisturbed earth shelf located on one (1) side of the sewer and at an elevation so the bottom of the water main is at least eighteen inches (18") (46 cm) above the top of the sewer.

Manholes should be located at least ten feet (10') horizontally from any existing or proposed water main.

Curvilinear alignment of sewers larger than twenty-four inches (24") may be considered on a case-by-case basis provided compression joints are specified and ASTM or specific pipe manufacturers' maximum allowable pipe joint deflection limits are not exceeded. Curvilinear sewers shall be limited to simple curves which start and end at manholes. When curvilinear sewers are proposed, the recommended minimum slopes must be increased accordingly to provide a minimum velocity of two feet (2') per second when flowing full.

515.5. Laying Pipe. Lateral displacement of the pipe shall be prevented during embedment operations. Pipe shall not be laid in water, or under unsuitable weather or trench conditions.

Pipe laying shall begin at the lowest elevation with all ends facing the direction of laying except when reverse laying is permitted by the Engineer.

Core holes in concrete pipe shall be repaired by cementing a properly shaped concrete plug in place with epoxy cement or by other methods acceptable to the Engineer.

Vertical clearance between sewer and water mains shall be a minimum of 2 feet. If it is impossible to obtain proper horizontal and vertical separation as described above for sewers, the sewer must be constructed of slip-on or mechanical joint pipe or continuously encased and be pressure tested to one hundred fifty pounds per square inch (150 psi) (1,034 kPa) to assure watertightness.

515.6. Jointing. All joint preparation and jointing operations shall comply with the instructions and recommendations of the pipe manufacturer. Immediately before joints are pushed together, all joint surfaces shall be coated with the lubricant furnished with the pipe. The position and condition of each rubber gasket (unbonded gaskets) shall be checked with a feeler after the joint is completed.

515.7. Concrete Encasement. Concrete encasement shall be installed where and as shown on the drawings. Concrete and reinforcing steel shall be as specified in the Section 250 – Concrete Structures. All pipe which is to be encased shall be suitably supported and blocked in proper position and shall be anchored against flotation.

515.8. Acceptance Tests. Each manhole and reach of sewer shall meet the requirements of the following acceptance tests. All defects shall be repaired to the satisfaction of the Engineer. Contractor shall furnish, at no additional cost to the owner, all necessary equipment and appurtenances to perform the acceptance tests.

- a. Lamping. Unless otherwise indicated on the drawings or directed by the Engineer, each section of sewer line between manholes shall be straight and uniformly graded. The Engineer may lamp any or all sections of sewer line at his discretion. The Contractor shall furnish suitable equipment and assistants to help the Engineer.
- b. Air Testing. An air test shall be conducted on each reach of sewer pipe between manholes or structures. For each type of pipe to be installed in the work, the first line between manholes or structures shall be tested before backfilling and before

any sewer pipe is installed in the remainder of the work. Thereafter, air testing shall be done after backfilling and individual or multiple reaches may be tested at the option of the Contractor. Air testing shall be used for all types of pipe except large diameter pipes where air testing is not practical. Air testing shall comply with ASTM C828 F1417, C924, C1103, depending on size and type of sewer pipe installed.

Leakage shall not exceed 0.0015 cfm per square foot of internal pipe wall at an average pressure of 3 psi greater than groundwater back pressure. The time elapsed for a one psi drop in air pressure shall not be less than:

$$t = 0.944d; \quad \text{where: } t = \text{time in minutes} \\ d = \text{pipe in diameter in inches}$$

Leaks shall be located by air testing short sections of pipe. Leaks shall be repaired and the reach of sewer retested.

- c. Exfiltration. Exfiltration tests are not an acceptable acceptance test for manholes. An exfiltration test may be used in lieu of air testing for large diameter sewer pipe where air testing is not practical. Exfiltration tests shall be conducted by blocking off all manhole or structure openings, except those connecting with the reach being tested, fill the line, and measuring the water required to maintain a constant level in the manholes or structures.

During the exfiltration test, the average water level in the manholes or structures shall be at least at the elevation of the ground surface. The maximum depth at the lower end shall not exceed 25 feet, and the minimum depth at the upper end shall be at least 5 feet above the crown of the pipe or 5 feet above the ground water elevation, whichever is higher.

The total exfiltration shall not exceed 100 gallons per inch of nominal diameter per mile of pipe per day for each reach tested. For purposes of determining maximum allowable leakage, manholes shall be considered sections of 48 inch pipe. The exfiltration tests shall be maintained on each reach for at least 2 hours and as much longer as necessary, in the opinion of the Engineer, to locate all leaks.

The Contractor shall provide, at his own expense, all necessary piping between the reach to be tested and the source of water supply, together with equipment and materials required for the tests. The methods used and the time of conducting exfiltration tests shall be acceptable to the Engineer.

- d. Infiltration. If at any time prior to expiration of the correction period stipulated in the General Conditions infiltration exceeds 100 gallons per inch of nominal diameter per mile of sewer per day, the Contractor shall locate the leaks and make repairs as necessary to control the infiltration.
- e. Deflection. Not less than 30 days after backfilling is complete, and prior to acceptance of the work, all flexible pipe shall be tested, by the use of a mandrel or

other approved device, to insure that no pipe deflection has occurred greater than five (5) percent of the inside diameter of the pipe. These tests shall be performed without mechanical pulling devices and without additional cost to the Owner. Pipe with a deflection exceeding five (5) percent of the inside diameter shall be uncovered, and the bedding and backfill replaced to prevent excessive deflection. Repaired pipe shall be retested. Ductile iron pipe will not require a deflection test unless otherwise noted on the plans or specifications.

The rigid ball or mandrel used for the deflection test shall have a diameter not less than ninety-five percent (95%) of the base inside diameter or average inside diameter of the pipe depending on which is specified in the ASTM specification, including the appendix, to which the pipe is manufactured. The test shall be performed without mechanical pulling devices. A mandrel must have nine (9) or more odd number of flutes or points.

- f. Vacuum Test. A vacuum test shall be performed on each manhole to assure watertightness in accordance with the following procedures:
1. Each manhole shall pass two (2) tests; the first test shall be after assembly but prior to backfilling and the second test shall be after backfilling.
 2. The vacuum test shall include testing of the seal between the cast iron frame and the concrete cone, slab or grad rings.
 3. Plug all pipes entering the manhole at least 8 inches into the sewer pipe. The plug must be inflated at a location past the manhole/pipe gasket.
 4. Brace all plugs to prevent the plug or pipe from being dislodged and drawn into the manhole.
 5. A vacuum of at least 10-1/2 inches of mercury shall be drawn on the manhole. Shut valve on vacuum line to manhole and disconnect vacuum line. Open the vacuum line valve and adjust vacuum to 10 inches of mercury.
 6. The pressure gage shall be liquid filled having a 3.5-inch diameter face with a reading from 0 to 30 inches of mercury. The test equipment shall be capable of having 2 gages connected. The gage supplied with the test equipment shall match the reading of a gage furnished by Sanitary Sewer Utility. The gage reading is to be verified on each project.
 7. The time elapsed for the vacuum reading to drop from 10 inches of mercury to 9 inches of mercury must not be less than the following times for the manhole to be considered as passing the vacuum test:

<u>Manhole Depth</u>	<u>Time (minutes)</u>
10 feet or less	2

10.1 to 15 feet	2.5
15.1 to 25 feet	3

8. If a manhole fails the vacuum test the manhole shall be uncovered and patched on the exterior of the manhole; retested prior to backfilling when the leak has been patched and then retested after backfill is completed.

g. Video Inspection. All sanitary sewers including pipes, manholes, cleanouts, service connections, service laterals, etc. shall be inspected using a video camera. Immediately prior to video inspection all sewers must be flushed with clean water. The contractor shall provide and run a video camera to check for the presence of sags or other evidence of improper construction. The video shall show the restoration of all surface areas disturbed during construction as well as document that the tops of all manholes and cleanouts are properly adjusted to grade.

1. Furnish one copy of the video to Sanitary Sewer Utility. Video shall comply with the following requirements:
 - a. Full color (Not black and white)
 - b. Date and time of inspection
 - c. Manhole labels
 - d. Real time stationing of camera in pipe
 - e. Inspection of all joints, fittings, and lateral connections
 - f. Locations of observed deficiencies (i.e. bad joints, breaks, leaks, infiltration, etc.)
 - g. Pipe ponding in excess of ¾” identified by location
 - h. Minimum resolution of 800x600 pixels
 - i. Single sided DVD or CD utilizing MPEG compression
 - j. DVD/CD and box shall be labeled with manhole numbers, project title, and date
2. The City of Columbia reserves the right to reject sewer lines based upon the video inspection, and complete own video inspection.
3. Faulty sections of sewer lines or manholes rejected by the City shall be repaired or replaced at the Contractors expense to produce a like new product in a manner acceptable to the Engineer.
4. The Contractor shall provide the City a video inspection to document the repair or replacement of any rejected work.
5. Camera Speed shall not be greater than 30 feet per minute.

515.9 Payment. There will be no direct payment for testing and inspections. The cost and expense of such work to the Contractor must be included in the price of the bid for sanitary sewers and concrete structures.

- a. The City of Columbia may complete a video inspection at no cost to the Contractor for the first video inspection.
- b. All subsequent inspections completed by the City of Columbia will have a fee associated with it.

SECTION 530

GROUTING

530.1. Description. This section covers grouting miscellaneous base plates and other uses of grout as indicated on the drawings. Unless otherwise specified, all grouting shall be done with non-shrinking grout.

530.2. Materials.

Non-shrinking Grout: Master Builders "Masterflow LL-713 Grout", Sauereisen Cements "F-100 Level Fill Grout", U.S. Grout "Five Star Grout", or USM "Upcon", or equal.

Water: Clean and free from deleterious substances.

530.3. Non-shrinking Grout. Non-shrinking grout shall be furnished factory premixed so only water is added at the job site. Grout shall be mixed in a mechanical mixer. No more water shall be used than is necessary to produce a flowable grout.

- a. Preparation. The concrete foundation to receive non-shrinking grout shall be saturated with water for 24 hours prior to grouting.
- b. Placement. Grout shall be placed in strict accordance with the direction of the manufacturer so all spaces and cavities are completely filled without voids.
- c. Edge Finishing. The grout shall be finished smooth in all locations where the edge of the grout will be exposed to view after reaching its initial set.
- d. Curing. Non-shrinking grout shall be protected against rapid loss of moisture by covering with wet rags or polyethylene sheets. After edge finishing is completed, the grout shall be wet cured for at least seven (7) days.

Holes shall be prepared for grouting as recommended by the grout manufacturer.

DIVISION II

STANDARD DETAILS

STANDARD DETAILS

TABLE OF CONTENTS

<u>TYPICAL STREET SECTIONS</u>		
Miscellaneous	100.01	Symbols
Typical Sections	110.01	Residential Street Typical Cross Sections
	110.02	Collector Street Typical Cross Section
	110.03	Local Non-residential Street Typical Cross Section
	110.04	Sidewalk at Unimproved Roadway
Patching	120.01	Pavement Patching
	120.02	Dig Out Repair
	120.03A	Concrete Pavement Patching
	120.03B	Asphalt Pavement Patching
Signage	130.01	Sign Mounting
Railings	140.01A	Steel Pedestrian Fence
	140.01B	Steel Pedestrian Fence
Retaining Walls	150.01	Ashlar Cut Stone Pattern
Temporary Turn Around	160.01	Temporary Turn Around Within Plat Boundary
	160.02	Temporary Turn Around Outside Plat Boundary
<u>CONCRETE PAVEMENTS</u>		
	200.01A	Joint Details
	200.01B	Joint Details
	205.01	Jointing Detail Residential Cul-de-sac
	210.01	Residential Street
	220.01	Collector Street

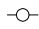
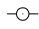

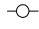



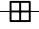
















<u>ASPHALT PAVEMENTS</u>		
	310.01	Residential Street
	320.01	Collector Street
<u>DRIVEWAYS - SIDEWALKS - RAMPS</u>		
Miscellaneous	400.01	Curb Details - Sidewalk Ramp
	400.02	Curb Details - Residential Driveway
	400.03	Curb Details - Commercial Driveway
Driveways	410.01	Driveway Locations
	410.02A	Drive Approach-Residential 28' Street
	410.02B	Drive Approach-Residential 32' Street
	410.03	Drive Approach - Commercial
	410.04	Drive Approach - Unimproved Street
	410.05	Drive Approach – Gravel Roadways
	410.06	Alternate Expansion Joint for Driveways on PCC Streets
	410.07	Driveway with Sidewalk at Back of Curb
Sidewalks	420.01	Sidewalk
	420.02	Sidewalk at Back of Curb
	420.03	Sidewalk Reinforcement at Drainage Structure
Ramps - Sidewalks with Grass Parkway	430.01	Sidewalk Ramp - Type A
	430.02	Sidewalk Ramp - Type B
	430.03	Sidewalk Ramp Plan View – Type A & B
	431.01	Mid-block Sidewalk Ramp
Ramps - Sidewalks at Back of Curb	432.01	Sidewalk Ramp - Type A
	432.02	Sidewalk Ramp - Type B
	432.03	Sidewalk Ramp Plan View – Type A & B
	433.01	Mid-block Sidewalk Ramp
Ramps - General	435.01	Detectable Warnings


<u>STORM DRAINAGE</u>		
Miscellaneous	500.01	Drainage Structure Steps
	500.02	Drainage Structure Invert
	500.03	Inlet Opening Trash Rack
	500.04	Drainage Structure Weep Holes
Curb Inlets	505.01A	Type M Inlet - Plan and Sections
	505.01B	Type M Inlet - Notes
	505.01C	Type M Inlet - Section and Detail
	505.01D	Type M Inlet - Setting Diagram
	505.01E	Type M Inlet - Deflector Detail
	505.01F	Type M Inlet - Edge Angle Assembly
	505.02A	Type A Inlet – Single Inlet
	505.02B	Type A Inlet – Double Inlet
Junction Boxes and Area Inlets		
	510.01	Junction Box
	510.02	Side Opening Inlet
Outfalls	525.01A	Toewall and End Section for RCP
	525.01B	End Section for HDPE and CMP
Swales	530.01	Concrete Swale - V Type
	530.02	Concrete Swale - Flat Bottom Type
	530.03	Riprap with Filter Fabric
	530.04	Overflow Swale at Cul-de-sac
<u>PIPE EMBEDMENT</u>		
	540.01	Pipe Embedment - In Right-of-Way
	540.02	Pipe Embedment - Out of the Right-of-Way
Utility Crossing	541.01	Utility Crossing - In the Right-of-Way

<u>DOWNTOWN IMPROVEMENTS</u>		
	1000.01A	Downtown Area Map
1000.01B - 1000.01D		Downtown Sidewalk Specifications
	1000.02	Downtown Sidewalk
	1000.03	Sidewalk Joint Details
	1000.04	Pavement Patching and Lane Widening
	1000.05	Driveway and Alley
	1000.06	Sidewalk Ramp - Type A
	1000.07	Sidewalk Ramp - Type B
	1000.08	Sidewalk Ramp - Type C
	1000.09	Downtown Tree Planting Detail
	1000.10A	Downtown Sidewalk – Along 8 th Street & Broadway
	1000.10B	Downtown Sidewalk – Along 8 th Street & Broadway
	1000.16	Trench Grate
<u>SANITARY SEWER</u>		
	1	Standard Manhole
	2	Flat Top Shallow Manhole
	3	Standard Shallow Manhole
	4	Standard Drop Manhole
	5	Deep Drop Manhole
	6	Manhole Adjustment
	7	Manhole Gasket - Pipe Gasket Detail
	8	Manhole Castings - Frame, Lid & Steps
	9	No Detail
	10	Pipe Encasement - Concrete
	11	Pipe Encasement - Steel
	12	Standard Cleanout
	12A	Standard Tracer Wire Test Station

<u>SANITARY SEWER (CONTINUED)</u>		
	13	Standard Service Connection
	14	Deep Service Connection
	15	Lateral Extension For New Construction
	16	V.C.P./D.I.P. Connection
	17	Anchor Detail
	18	Pier Detail
	19	Service Lateral Connection to Cured-In-Place Pipe (CIPP)
	20	Gravity Sewer And Water Line Crossing
	21	Inside Drop Manhole Connection
	22	Doghouse Manhole

LEGEND OF SYMBOLS

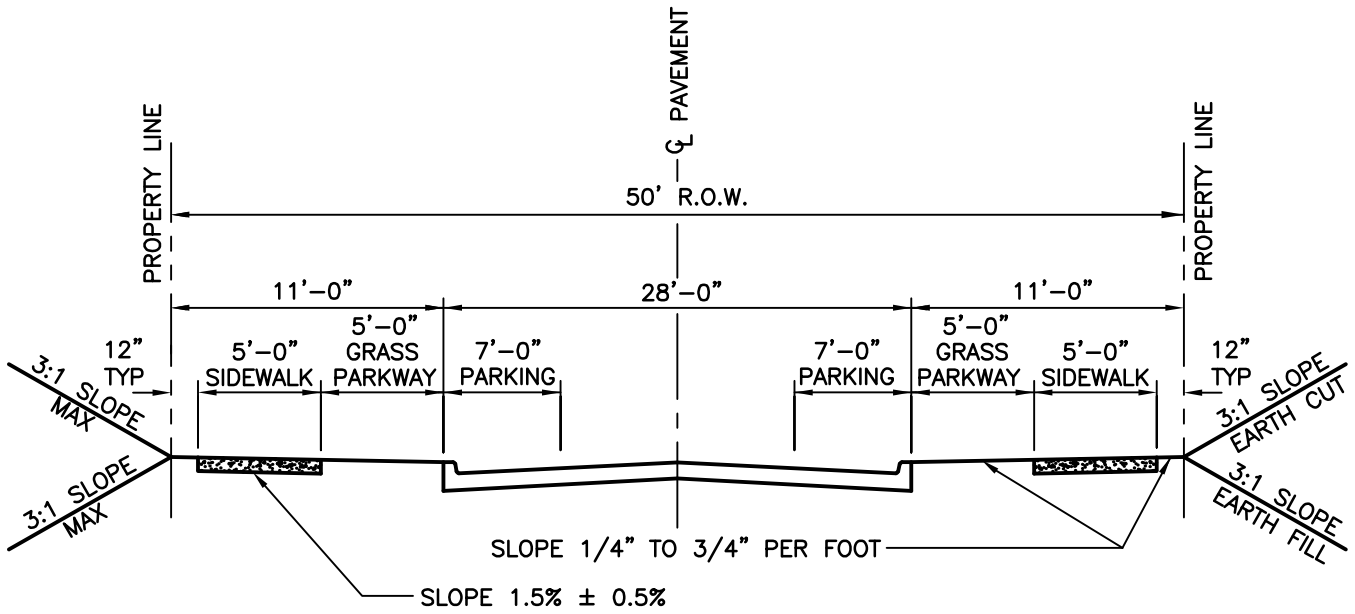
POWER POLE	
TELEPHONE POLE	
GUY ANCHOR	
GUY POLE	
STREET LIGHT POLE	
CABLE TELEVISION	— C — or — UC —
TELEPHONE	— T — or — UT —
ELECTRIC	— E — or — UE —
TELEPHONE OR ELECTRIC MANHOLE	 or 
WATER MAIN	— W — W —
GAS MAIN	— G — G —
WATER METER	
GAS METER	
GAS OR WATER VALVE	— G —  or WATER
FIRE HYDRANT	 F.H.
SANITARY SEWER	— SAN — SAN —
SANITARY SEWER LATERAL	— LAT — LAT —
SANITARY MANHOLE	 M.H.
SANITARY CLEANOUT	 C.O.
SANITARY LATERAL CLEANOUT	 C.O.
TREE	
TREE REMOVAL	
STUMP	
SIGN	
MAIL BOX	
FENCE	— X — X —
PROPERTY IRON	 or 
BENCHMARK	B.M.
MoDOT R/W MARKER	
TRAVERSE POINT	 T.P.
PROPERTY LINE	— — — — —
LOT LINE	— — — — —
EXISTING RIGHT OF WAY LINE	— — — — — R.O.W.
EXISTING EASEMENT	— — — — —
PROPOSED RIGHT OF WAY LINE	— — — — — R.O.W.
PROPOSED PERMANENT EASEMENT	— — — — — P.D.E.
TEMPORARY CONSTRUCTION EASEMENT	— — — — — T.C.E.
GRADING LIMIT	

	10/01/16
Approved	Date
Revisions	

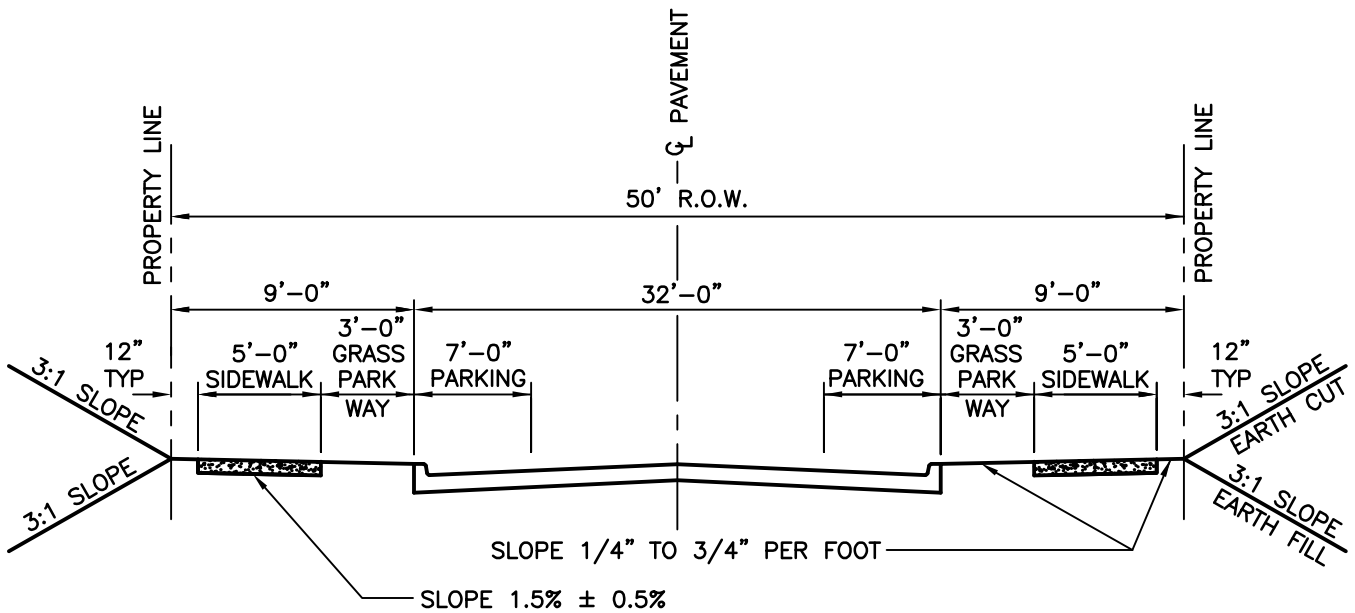


SYMBOLS

100.01




28 FT. PAVEMENT
(Standard Residential Street)



32 FT. PAVEMENT
(Residential Feeder)

NOTE:

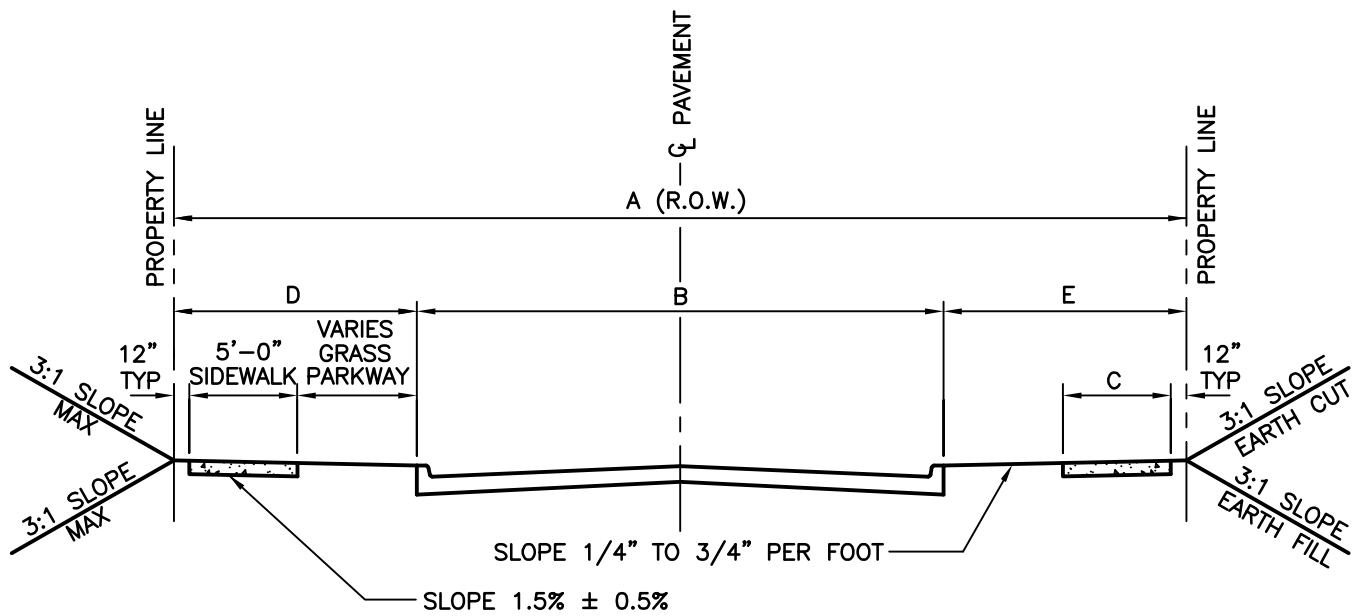
SEE CROSS SECTION SHEETS FOR VARIATIONS DUE TO ROCK EXCAVATION.
EXISTING LAWN GRADES, ETC. SEE PLAN SHEETS FOR LOCATION OF
PAVEMENT AND SIDEWALKS WITHIN RIGHT-OF-WAY.
SIDEWALK CROSS SLOPE SHALL NOT EXCEED 2.00%.

 Approved	07/01/20 Date
Revisions	



**RESIDENTIAL STREET
TYPICAL CROSS SECTIONS**


110.01



NOTE:

SEE CROSS SECTION SHEETS FOR VARIATIONS DUE TO ROCK EXCAVATION. EXISTING LAWN GRADES, ETC. SEE PLAN SHEETS FOR LOCATION OF PAVEMENT AND SIDEWALKS WITHIN RIGHT-OF-WAY. SIDEWALK CROSS SLOPE SHALL NOT EXCEED 2.00%.

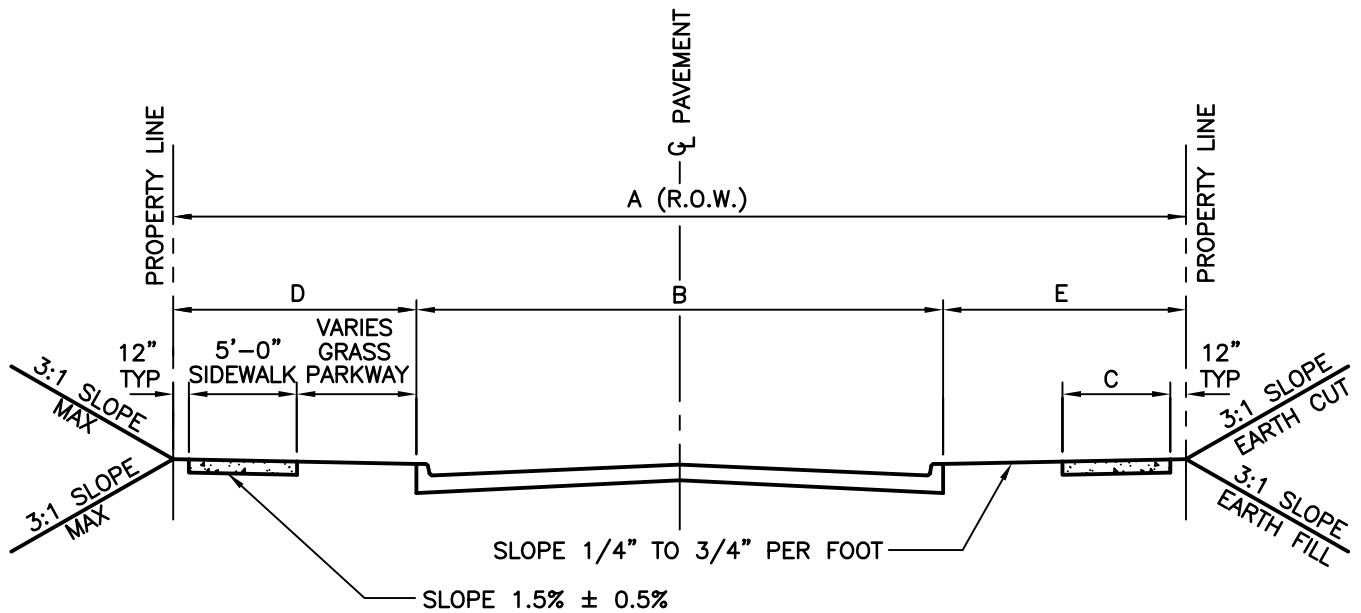
ITEM	A	B	C	D	E
NEIGHBORHOOD COLLECTOR OPTION A	60'	34'	5'	13'	13'
NEIGHBORHOOD COLLECTOR OPTION B	60'	30'	5'	15'	15'
MAJOR COLLECTOR	66'	36'	5'	15'	15'
MAJOR COLLECTOR OPTION A	66'	32'	8'	16'	18'
MAJOR COLLECTOR OPTION B	76'	44'	8'	15'	17'


 Approved _____ Date 07/01/20
 Revisions _____



COLLECTOR STREET TYPICAL CROSS SECTION


110.02



NOTE:

SEE CROSS SECTION SHEETS FOR VARIATIONS DUE TO ROCK EXCAVATION. EXISTING LAWN GRADES, ETC. SEE PLAN SHEETS FOR LOCATION OF PAVEMENT AND SIDEWALKS WITHIN RIGHT-OF-WAY. SIDEWALK CROSS SLOPE SHALL NOT EXCEED 2.00%.

	A	B	C	D	E	F
1	ITEM	A	B	C	D	E
2	NON-RESIDENTIAL STREET	66'	36'	5'	15'	15'
3	NON-RESIDENTIAL STREET OPTION A	60'	30'	5'	15'	15'
4	NON-RESIDENTIAL STREET OPTION B	60'	30'	5'	15'	15'
5	NON-RESIDENTIAL STREET OPTION C	66'	38'	5'	14'	14'

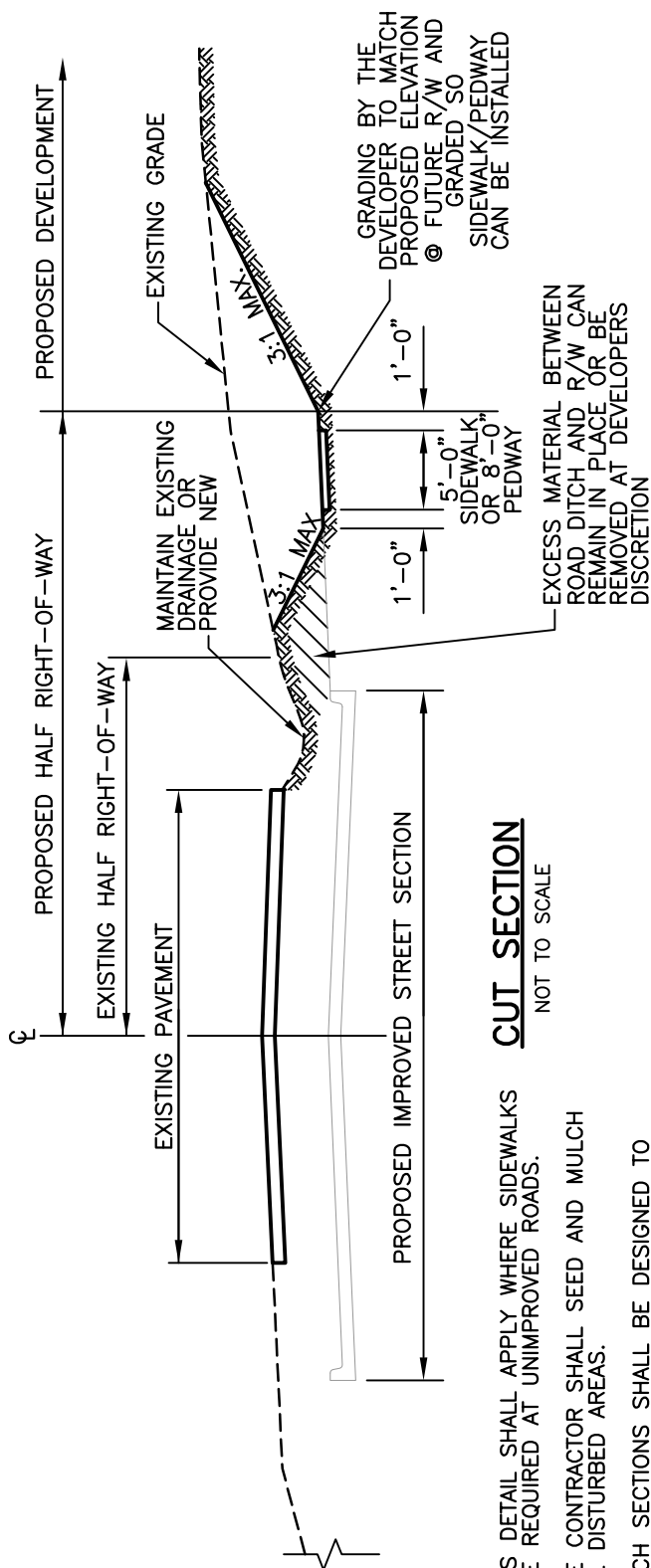

 Approved 07/01/20
 Date

Revisions


 City of Columbia
 Public Works Department

**LOCAL NON-RESIDENTIAL STREET
 TYPICAL CROSS SECTION**

110.03

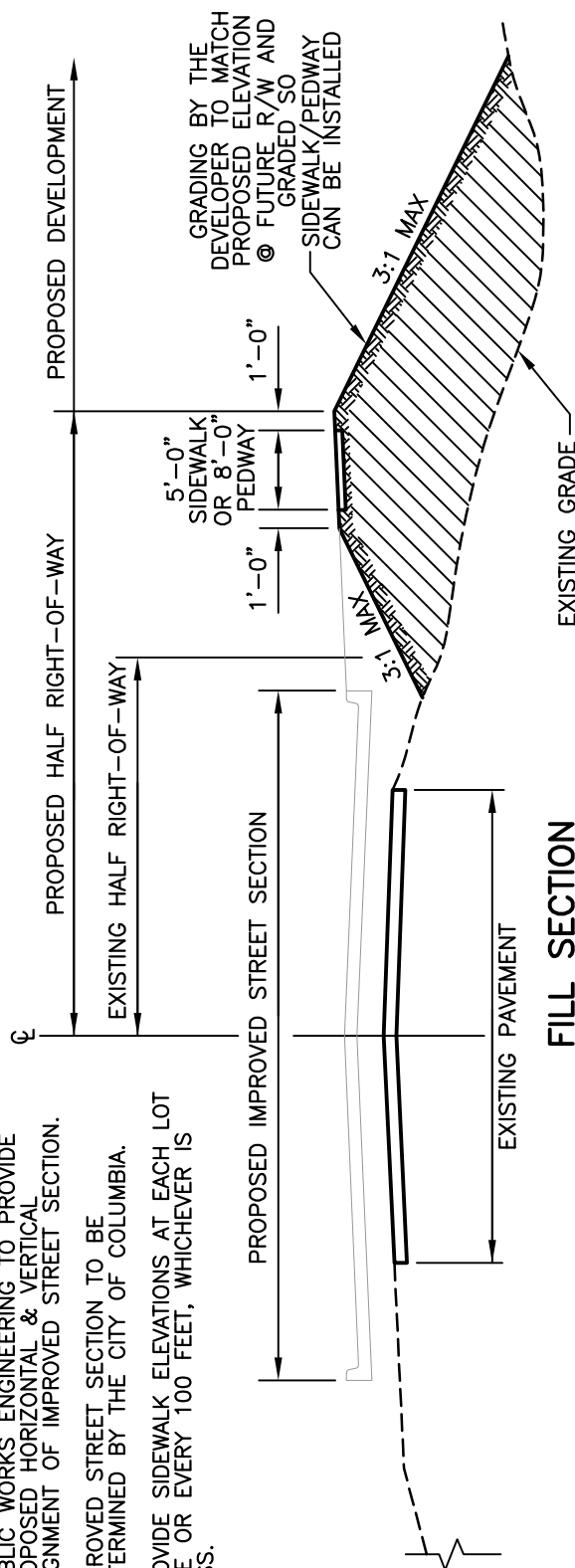


CUT SECTION

NOT TO SCALE

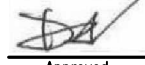
NOTES:

1. THIS DETAIL SHALL APPLY WHERE SIDEWALKS ARE REQUIRED AT UNIMPROVED ROADS.
2. THE CONTRACTOR SHALL SEED AND MULCH ALL DISTURBED AREAS.
3. DITCH SECTIONS SHALL BE DESIGNED TO CARRY THE APPROPRIATE DESIGN FLOW. DEVELOPER IS RESPONSIBLE TO MAINTAIN DRAINAGE.
4. PUBLIC WORKS ENGINEERING TO PROVIDE PROPOSED HORIZONTAL & VERTICAL ALIGNMENT OF IMPROVED STREET SECTION.
5. IMPROVED STREET SECTION TO BE DETERMINED BY THE CITY OF COLUMBIA.
6. PROVIDE SIDEWALK ELEVATIONS AT EACH LOT LINE OR EVERY 100 FEET, WHICHEVER IS LESS.



FILL SECTION

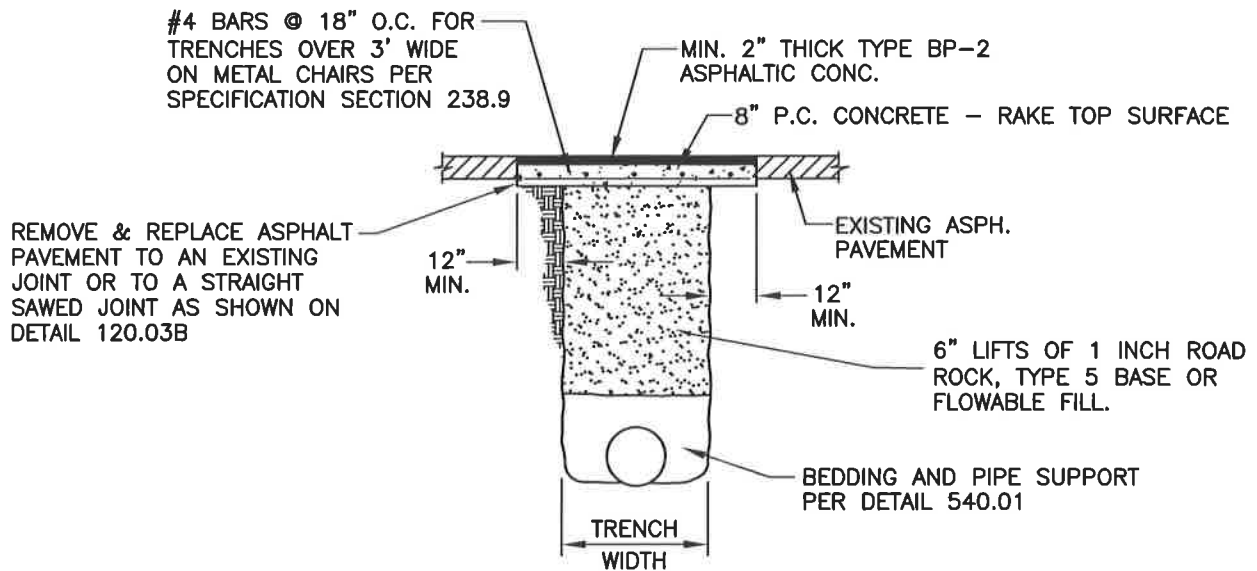
NOT TO SCALE

 Approved	10/01/16 Date
Revisions	
City of Columbia Public Works Department	

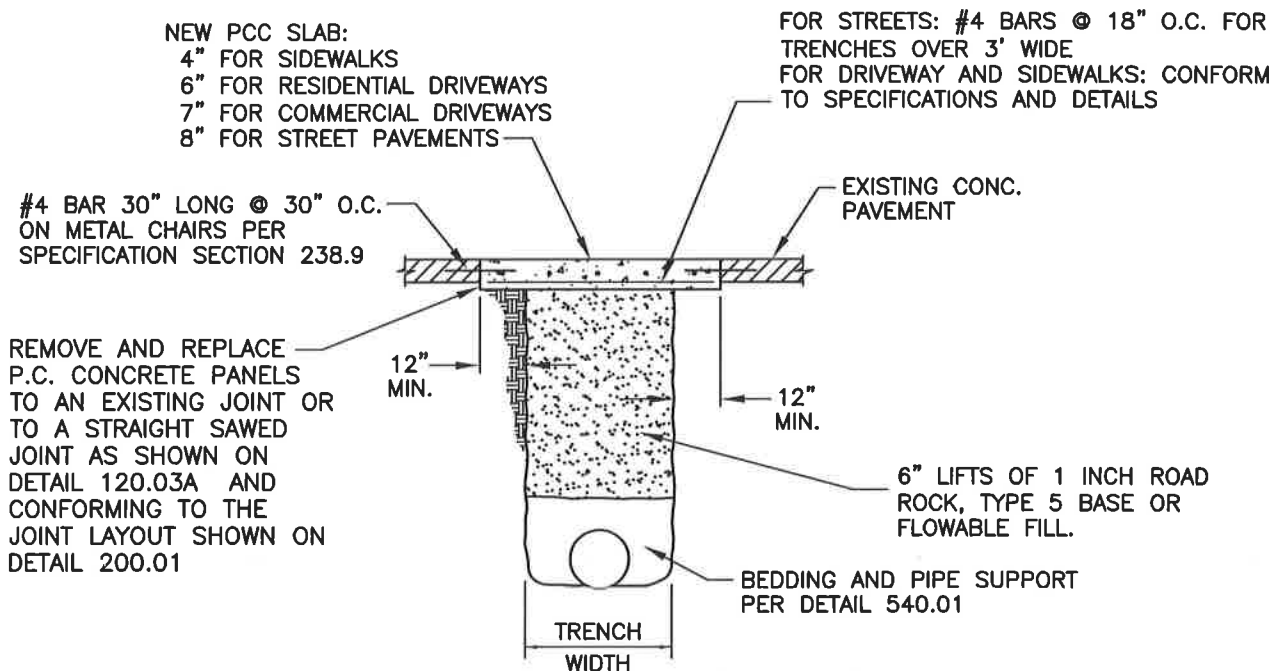


SIDEWALK AT UNIMPROVED ROADWAY

110.04



EXISTING ASPHALTIC PAVEMENT



EXISTING CONCRETE PAVEMENT

NOTES:

1. CONCRETE SHALL BE MoDOT PAVEMENT CONCRETE. REINFORCING STEEL SHALL BE GRADE 60.
2. FOR BRICK STREETS W/ASHPALTIC OVERLAY THE TOP OF 8" P.C.C. SLAB SHALL MATCH THE TOP OF BRICKS AND THE NEW ASPHALT THICKNESS SHALL MATCH EXSTING ASPHALT THICKNESS.
3. FOR BRICK STREETS THE TOP OF 8" P.C.C. SLAB SHALL MATCH TOP OF SUBGRADE.
4. SEE SECTION 201.12.10.1 FOR 1" ROAD ROCK GRADATION



10/01/18
Date

Approved

Revisions

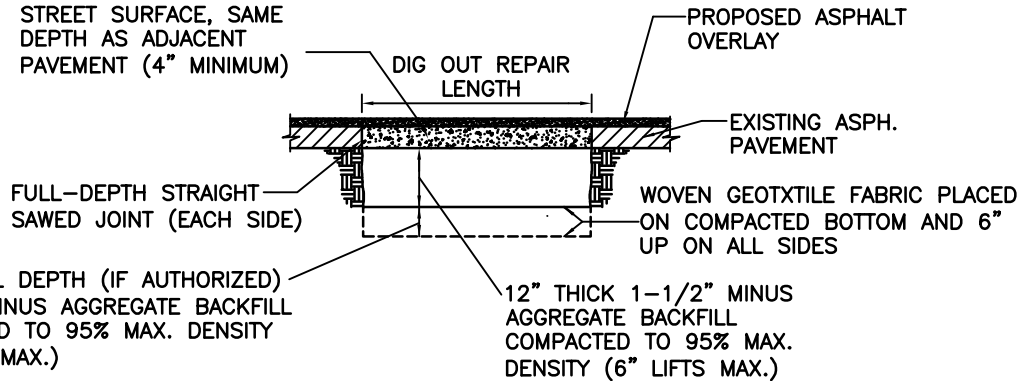


City of Columbia
Public Works Department

PAVEMENT PATCHING


120.01

PLANT MIX BITUMINOUS
BASE FLUSH WITH EX.
STREET SURFACE, SAME
DEPTH AS ADJACENT
PAVEMENT (4" MINIMUM)



NOTES:

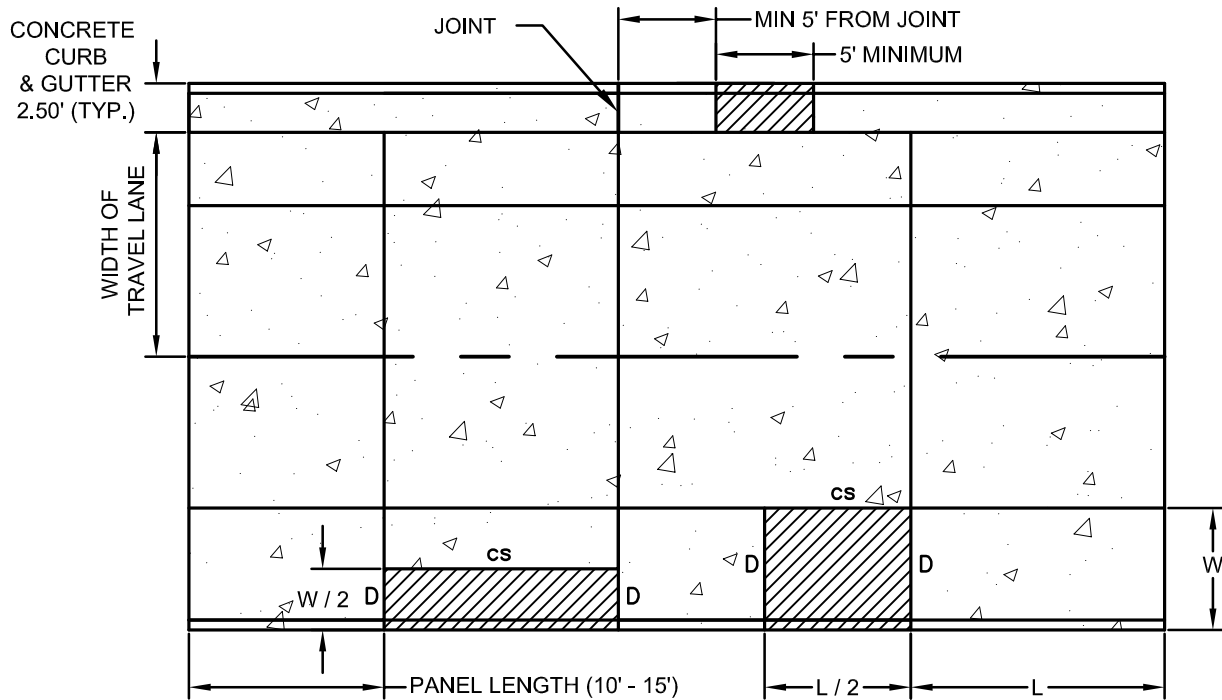
1. SAW CUT AREA DESIGNATED BY PUBLIC WORKS.
2. EXCAVATE TO A DEPTH OF 12" MINIMUM BELOW BOTTOM OF EXISTING STREET ELEVATION. IF ADDITIONAL DEPTH DIG OUT IS REQUIRED AND AUTHORIZED, PROCEED WITH STEPS BELOW AND ADD STEP 4A.
3. BASE MUST BE APPROVED BY ENGINEER BEFORE PLACEMENT OF FABRIC AND ROCK.
4. COMPACT BOTTOM AND PLACE WOVEN FABRIC (MIRAFI 600X OR APPROVED EQUAL).
- 4A. PLACE TYPE 2, 1-1/2" MINUS AGGREGATE COMPACTED IN 6" MAXIMUM LIFTS TO REACH THE NORMAL DIG OUT REPAIR DEPTH OF 16" BELOW EXISTING STREET ELEVATION. ADDITIONAL DEPTH SHALL BE PAID BY THE CUBIC YARD PER THE BID FORM.
5. PLACE TWO (2) 6" LIFTS OF TYPE 2, 1-1/2" MINUS COMPACTED AGGREGATE.
6. PLACE 4" MINIMUM LIFT OF COMPACTED PLANT MIX BITUMINOUS BASE ON PRIMED BASE ROCK. FINISH SHALL BE FLUSH WITH EXISTING ROAD SURFACE AND HAVE A SMOOTH RIDE.
7. CONTRACTOR SHALL REMOVE AND DISPOSE OF ALL MATERIALS EXCAVATED FROM THE REPAIR AREA.

 Approved	10/01/16 Date
Revisions	



DIG OUT REPAIR


120.02



 REQUIRED PAVEMENT PATCH OR PANEL/CURB REPLACEMENT

CONCRETE PAVEMENT PATCH NOTES:

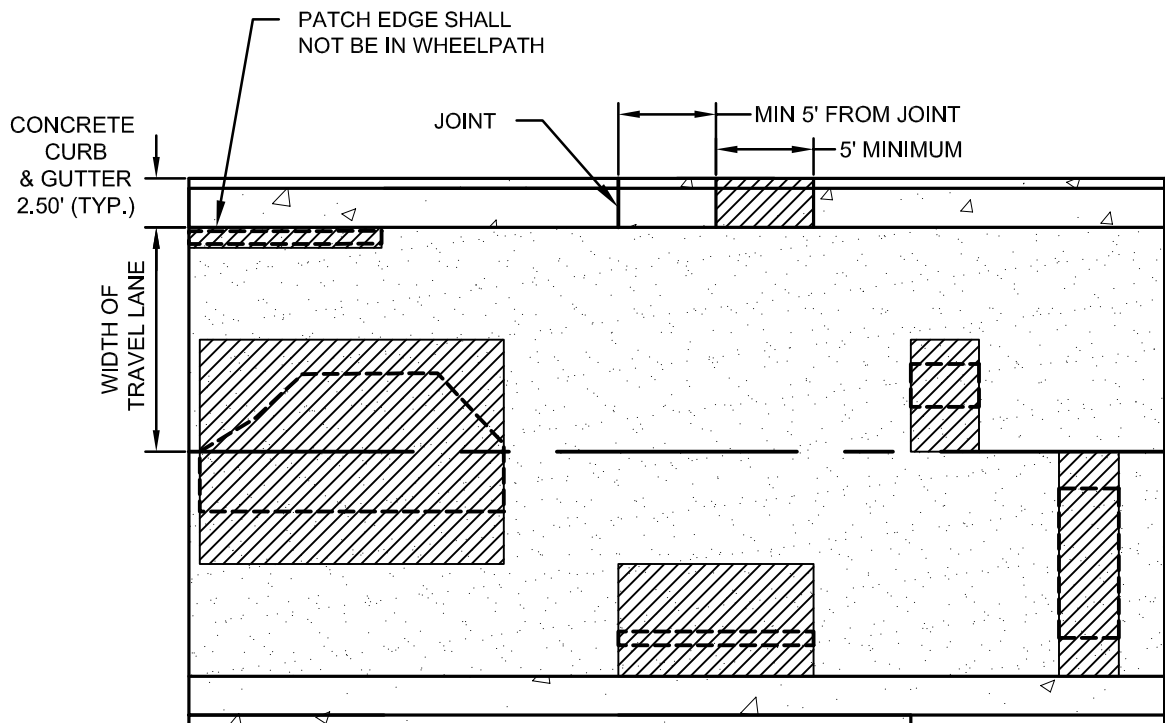
1. HALF PANELS MAY BE REPLACED PER THIS DETAIL. WHERE A REPAIR DOES NOT FALL IN THE HALF PANEL, REPLACE FULL PANEL.
2. A MINIMUM OF 5' OF CURB AND GUTTER SHALL BE REPLACED. WHERE THE REPAIR WILL BE WITHIN 5' OF A JOINT, REPLACE CURB AND GUTTER TO THE JOINT. NO SECTION OR CURB AND GUTTER SHALL BE LESS THAN 5' LONG.
3. ALL SAWING OF STREETS SHALL BE FULL DEPTH AND DONE IN A NEAT AND WORKMANLIKE MANNER.
4. INSTALL PAVEMENT JOINT TYPES AS SHOWN AND DOWEL CURB AND GUTTER AND PANELS PER STANDARD DETAILS.
5. L = PANEL LENGTH
6. W = PANEL WIDTH

	10/01/16
Approved	Date
Revisions	

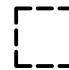


**CONCRETE PAVEMENT
PATCHING**

120.03A




 REQUIRED PAVEMENT PATCH OR PANEL/CURB REPLACEMENT

 EXAMPLES OF WORK LIMITS/PAVEMENT TO BE REPAIRED

ASPHALT PAVEMENT PATCH NOTES:

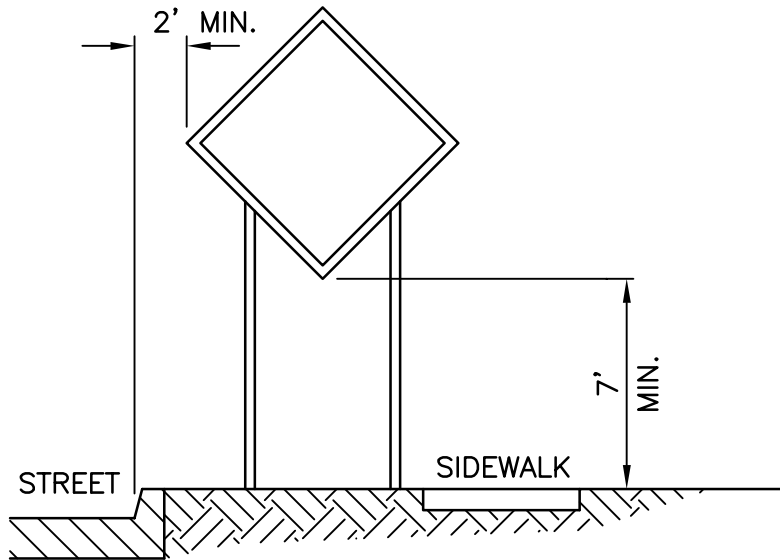
1. EXISTING PAVEMENTS SHALL BE REMOVED TO CLEAN, STRAIGHT LINES. MAKE CUTS PARALLEL OR PERPENDICULAR TO TRAFFIC FLOW. PATCH EDGES PARALLEL TO TRAFFIC FLOW SHALL NOT BE LOCATED IN WHEEL PATHS.
2. AVOID BREAKING AWAY THE EDGES OF EXISTING PAVEMENT OR DAMAGING THE REMAINING PAVEMENT WITH CONSTRUCTION EQUIPMENT.
3. AVOID PATCHES WITHIN EXISTING PATCHES. IF THIS CANNOT BE AVOIDED, MAKE THE BOUNDARIES OF THE PATCHES COINCIDE.
4. PATCHES SHOULD HAVE A SMOOTH LONGITUDINAL GRADE CONSISTENT WITH THE EXISTING ROADWAY. PATCHES SHOULD ALSO HAVE A CROSS SLOPE OR CROSS SECTION CONSISTENT WITH THE DESIGN OF THE EXISTING ROADWAY.
5. A MINIMUM OF 5' OF CURB AND GUTTER SHALL BE REPLACED. WHERE THE REPAIR WILL BE WITHIN 5' OF A JOINT, REPLACE CURB AND GUTTER TO THE JOINT. NO SECTION OR CURB AND GUTTER SHALL BE LESS THAN 5' LONG.

	10/01/16
Approved	Date
Revisions	

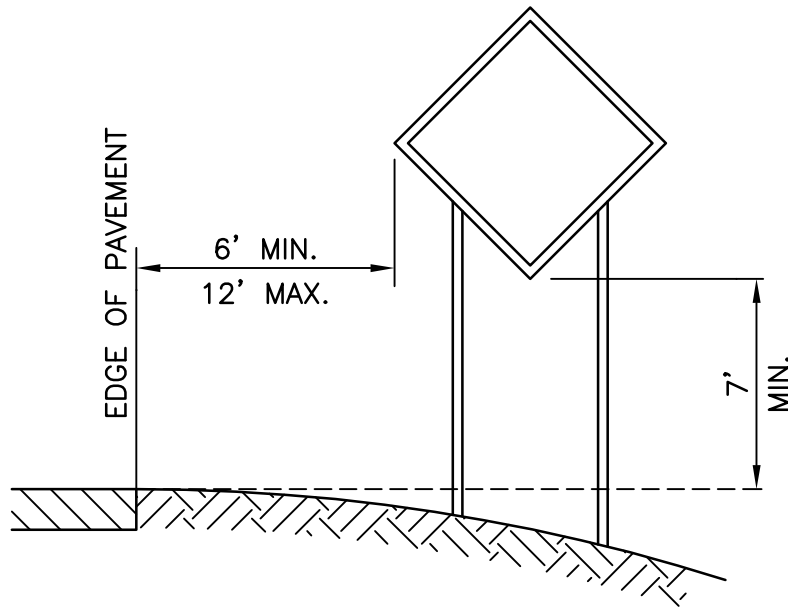


ASPHALT PAVEMENT PATCHING

120.03B




CURB & GUTTER MOUNTING



NON-CURB & GUTTER MOUNTING

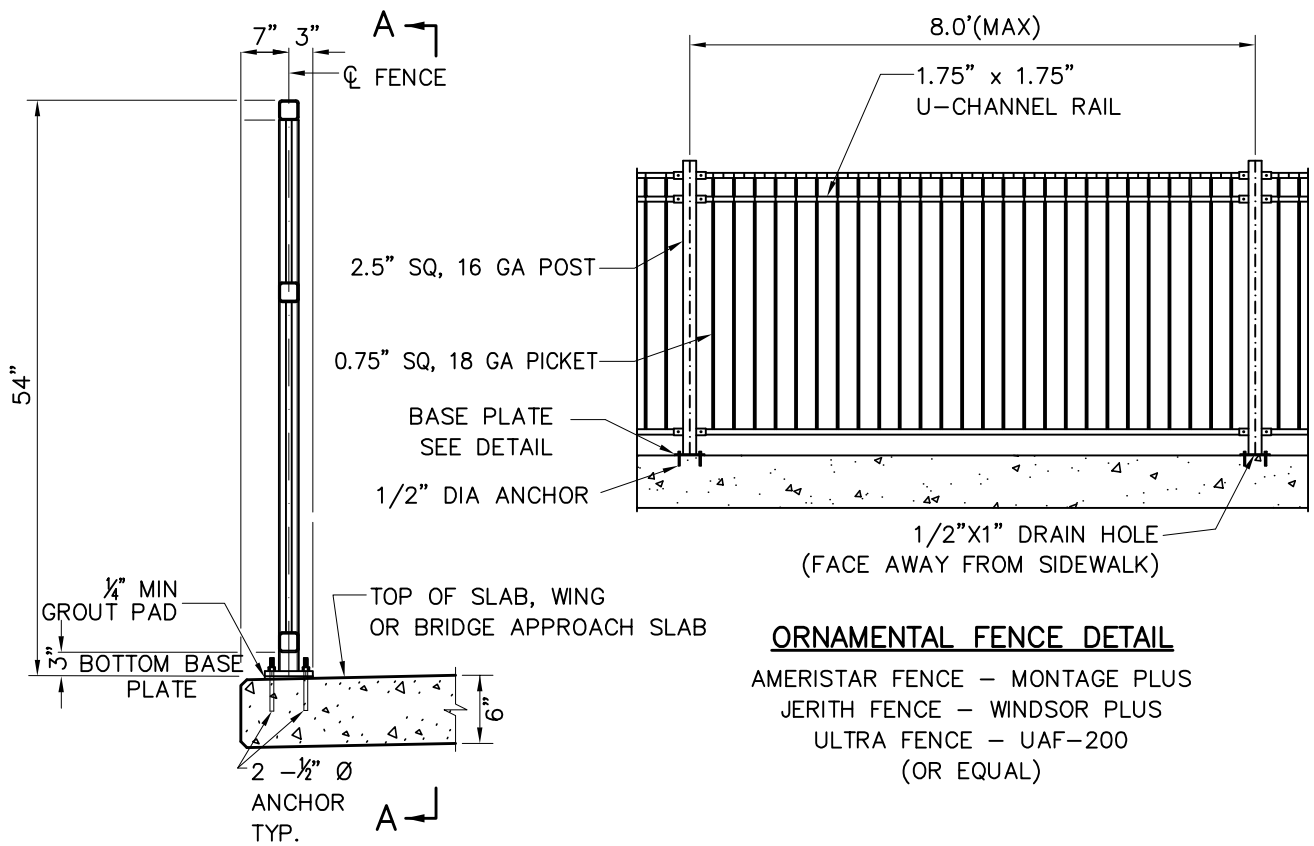
NOTE: SUPPORT POSTS SHALL NOT EXTEND ABOVE SIGN UNLESS DISTANCE PLAQUE OR WARNING LIGHTS ARE SPECIFIED.

	10/01/16
Approved	Date
Revisions	



SIGN MOUNTING

130.01

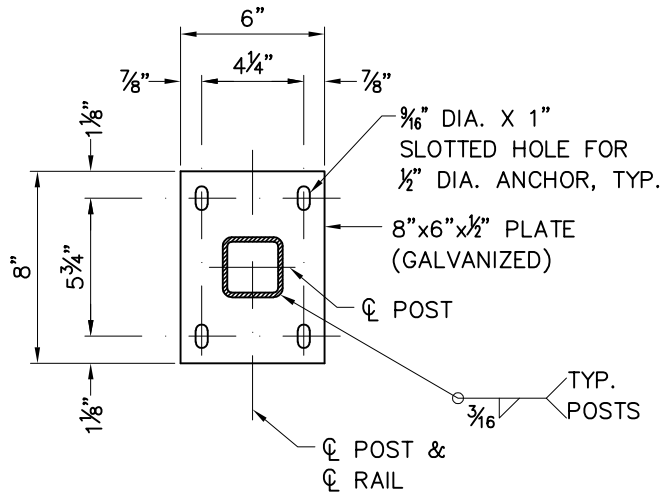


ORNAMENTAL FENCE DETAIL
 AMERISTAR FENCE – MONTAGE PLUS
 JERITH FENCE – WINDSOR PLUS
 ULTRA FENCE – UAF-200
 (OR EQUAL)


TYPICAL SECTION

NOTE:

ANCHORS SHALL BE DRILLED IN PLACE. EXPOSED PORTION OF ANCHORS, NUTS AND WASHERS SHALL BE FIELD PAINTED AFTER INSTALLATION.



TYPICAL BASE PLATE DETAIL

	07/01/20
Approved	Date
Revisions	



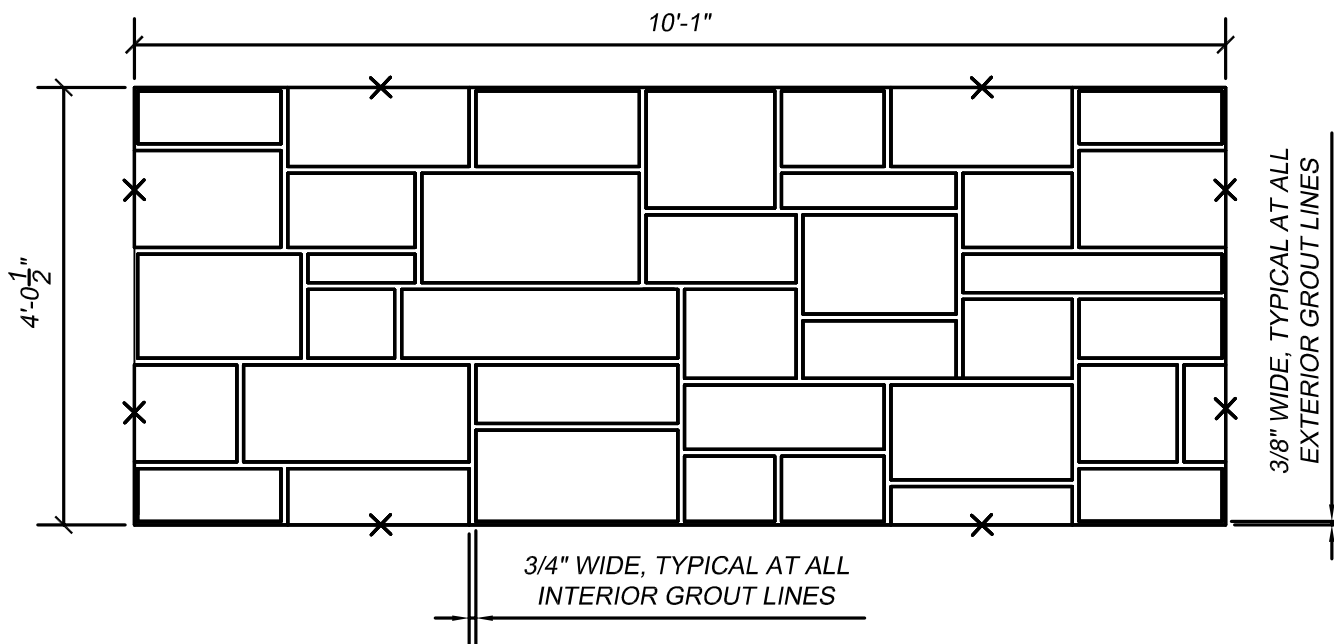
STEEL PEDESTRIAN FENCE

140.01A

GENERAL NOTES:

1. MATERIALS. HANDRAIL SHALL BE ORNAMENTAL STEEL OF THE SIZE AS DETAILED. TAILINGS SHALL BE CONSTRUCTED OF BAR SECTIONS AS DETAILED.
2. THE FENCE SHALL BE MONTAGE PLUS 2/3 RAIL MAJESTIC (BY AMERISTAR FENCE), WINDSOR PLUS (BY JERITH FENCE), UAF-200 (BY ULTRA FENCE), OR APPROVED EQUAL. THE COLOR OF THE FENCE SHALL BE BLACK. THE MAXIMUM FENCE POST SPACING SHALL BE 8'.
3. RAILS AND BASE PLATES SHALL BE SET PARALLEL TO TOP OF SLAB. ALL POSTS AND BALUSTERS SHALL BE SET VERTICAL. GROUT SHALL BE USED BETWEEN CONCRETE AND BASE PLATE OF POST.
4. ALL MATERIAL, LABOR, SPLICES, GROUT, AND INSTALLATION SHALL BE PAID FOR UNDER THE BID ITEM "PEDESTRIAN FENCE" PER LINEAR FOOT.
5. A GROUTED LEVELING PAD SHALL BE USED TO ERECT THE POSTS VERTICAL. THE LEVELING PADS SHALL BE A NON-SHRINK GROUT AS APPROVED BY THE ENGINEER. THE GROUT SHALL BE MIXED, APPLIED AND CURED ACCORDING TO THE MANUFACTURER'S RECOMMENDATIONS.
6. CONCRETE ANCHORS, NUTS AND WASHERS SHALL BE GALVANIZED IN ACCORDANCE WITH ASTM A153 AND SEC.1081.
7. NUTS SHALL CONFORM TO ASTM A307. NUTS SHALL BE REGULAR HEXAGON TYPE. WASHERS SHALL BE OF STANDARD COMMERCIAL QUALITY.
8. THE CONCRETE ANCHORS SHALL HAVE A MINIMUM ULTIMATE PULLOUT STRENGTH OF 7900 LBS. BASED ON THE CONCRETE. THE LENGTH OF EMBEDMENT INTO CONCRETE SHALL CONFORM TO MANUFACTURER'S RECOMMENDATIONS.

 Approved 07/01/20 Date	 City of Columbia Public Works Department	STEEL PEDESTRIAN FENCE	140.01B
Revisions			



TYPICAL ASHLAR CUT STONE PATTERN

NOT TO SCALE

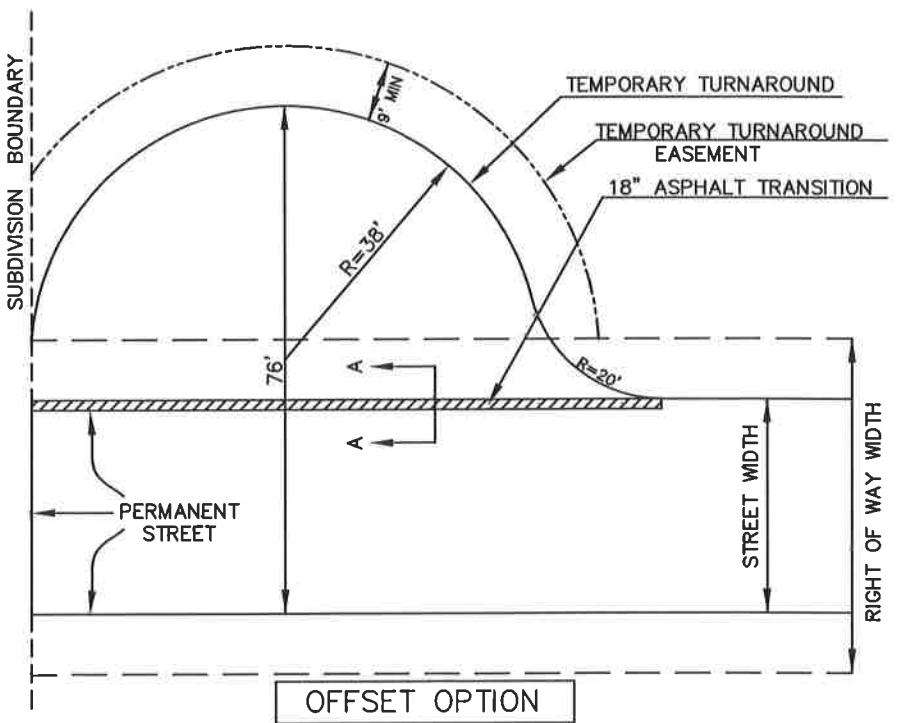
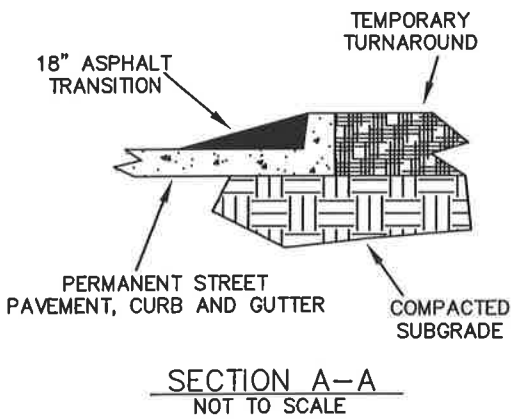
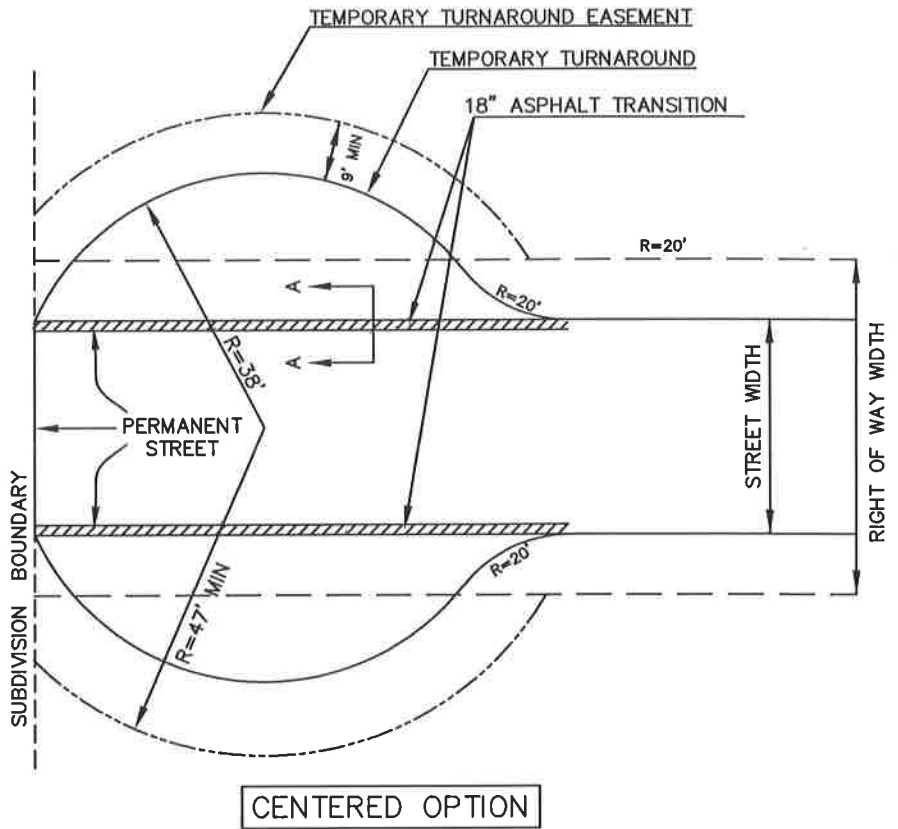
GENERAL NOTES


1. STONE HEIGHTS: 3½" TO 13"
2. STONE WIDTHS: 9½" TO 30½"
3. MAXIMUM PATTERN DEPTH: 1½"
4. PERIMETER ½ GROUT LINE WITH PATTERN MATCHING – (8) PARTIAL STONES (X's)
5. PROFILE ALLOWS PATTERN MATCHING WITH 180 DEGREE ROTATION OF ADJOINING SHEET

NOTE: ASHLAR CUT STONE PATTERN SHALL BE GREENSTREAK GSK460 OR APPROVED EQUAL. CONTRACTOR SHALL SUBMIT ASHLAR CUT STONE PATTERN FORM LINER SYSTEM SPECIFICATIONS AND DRAWING OF THE ASHLAR STONE FORM PATTERN FOR THE APPROVAL OF THE CITY.

 Approved	10/01/16 Date	 City of Columbia Public Works Department	<h2 style="margin: 0;">ASHLAR CUT STONE PATTERN</h2>	<h2 style="margin: 0;">150.01</h2>
Revisions				

- 1) PERMANENT STREET MUST BE EXTENDED TO BOUNDARY OF SUBDIVISION
- 2) FOR RESIDENTIAL OR LOCAL NON-RESIDENTIAL STREETS TEMPORARY TURNAROUND SURFACE TO CONSIST OF A MINIMUM OF 8" OF COMPACTED TYPE 3 AGGREGATE OVER NON-WOVEN GEOTEXTILE OR EQUIVALENT SURFACE FOR COLLECTOR OR ARTERIAL STREETS TO CONSIST OF A MINIMUM OF 3" OF ASPHALTIC PAVEMENT OF TYPE SPECIFIED FOR STREET CONSTRUCTION, OVER 8" OF COMPACTED TYPE 3 AGGREGATE OVER NON-WOVEN GEOTEXTILE, OR EQUIVALENT
- 3) DEVELOPER IS RESPONSIBLE FOR PROPER MAINTENANCE OF TEMPORARY TURNAROUND
- 4) DIRECTION OF DRAINAGE AND EROSION CONTROL TO BE APPROVED BY THE ENGINEER. DESIGN MUST ADDRESS GUTTER FLOW AT STREET TERMINUS
- 5) LOT(S) CONTAINING TEMPORARY TURNAROUND OR ITS EASEMENT ARE NOT AVAILABLE FOR DEVELOPMENT UNTIL STREET IS EXTENDED AND EASEMENT IS NULL AND VOID. DEVELOPER IS RESPONSIBLE FOR REMOVAL OF ALL TEMPORARY TURNAROUND MATERIAL AND ANY REPAIRS TO PERMANENT STREET STRUCTURE PRIOR TO DEVELOPMENT OF LOT.



	10/01/18
Approved	Date
Revisions	

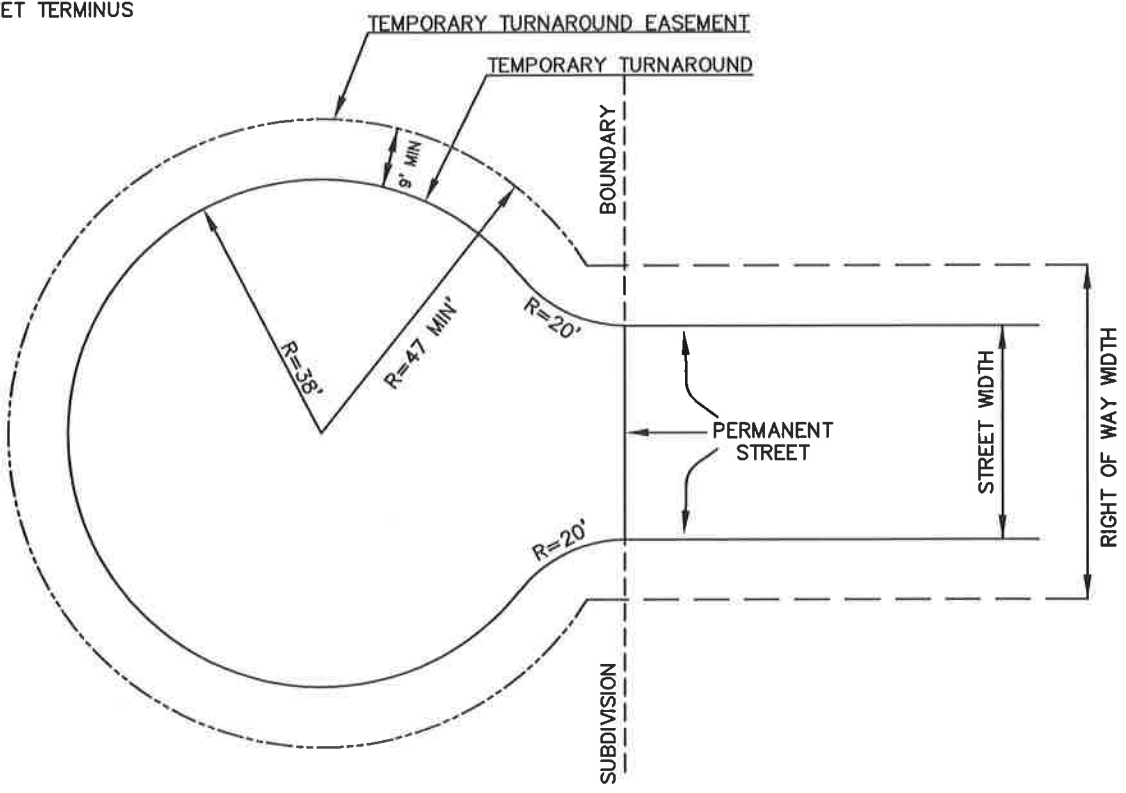



TEMPORARY TURN AROUND WITHIN PLAT BOUNDARY

160.01

- 1) PERMANENT STREET MUST BE EXTENDED TO BOUNDARY OF SUBDIVISION
- 2) FOR RESIDENTIAL OR LOCAL NON-RESIDENTIAL STREETS TEMPORARY TURNAROUND SURFACE TO CONSIST OF A MINIMUM OF 8" OF COMPACTED TYPE 3 AGGREGATE OVER NON-WOVEN GEOTEXTILE OR EQUIVALENT

SURFACE FOR COLLECTOR OR ARTERIAL STREETS TO CONSIST OF A MINIMUM OF 3" OF ASPHALTIC PAVEMENT OF TYPE SPECIFIED FOR STREET CONSTRUCTION, OVER 8" OF COMPACTED TYPE 3 AGGREGATE OVER NON-WOVEN GEOTEXTILE, OR EQUIVALENT
- 3) DEVELOPER IS RESPONSIBLE FOR PROPER MAINTENANCE OF TEMPORARY TURNAROUND
- 4) DIRECTION OF DRAINAGE AND EROSION CONTROL TO BE APPROVED BY THE ENGINEER. DESIGN MUST ADDRESS GUTTER FLOW AT STREET TERMINUS

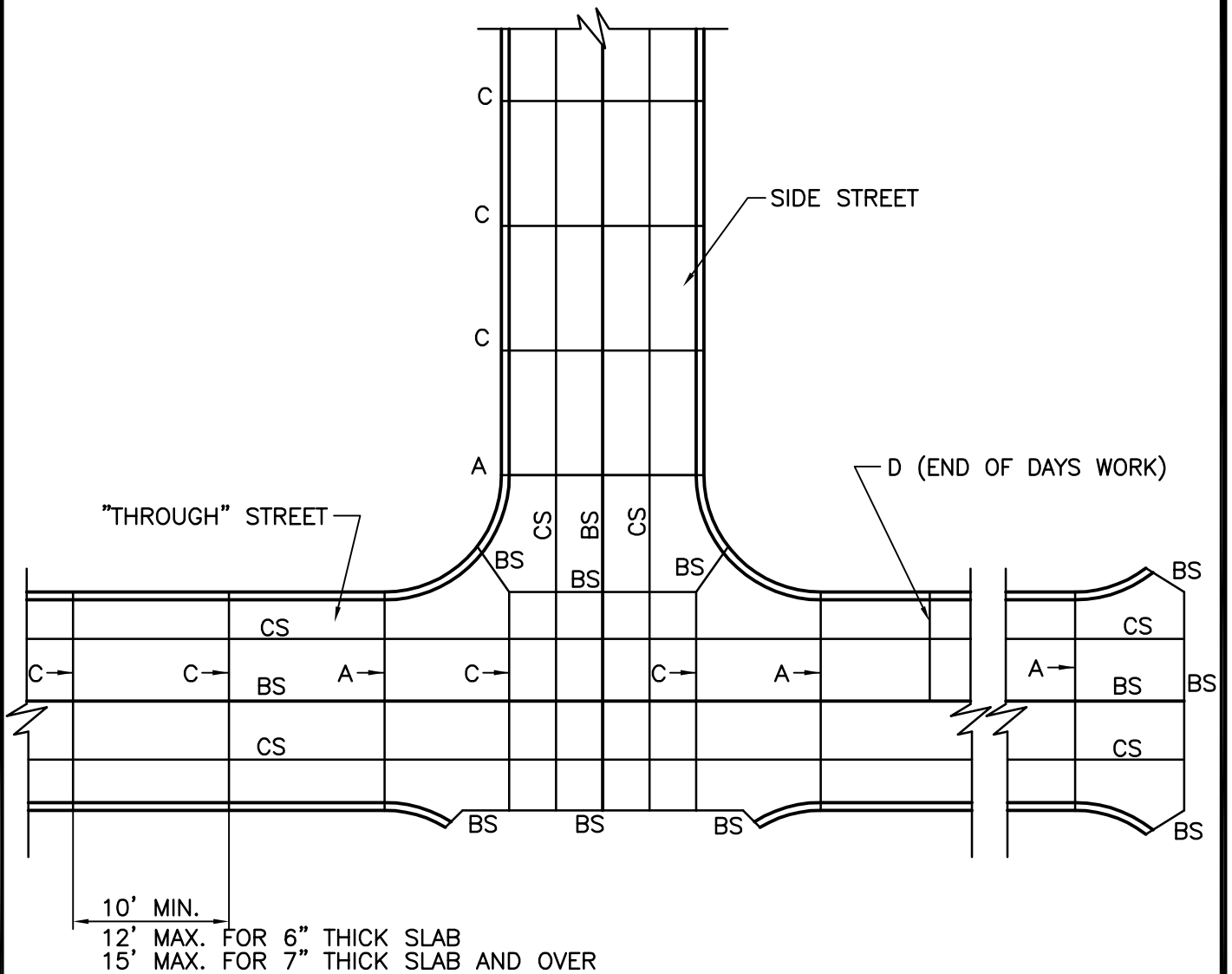


	10/01/18
Approved	Date
Revisions	



TEMPORARY TURN AROUND OUTSIDE PLAT BOUNDARY


160.02



JOINT LOCATION PLAN

NOTE:

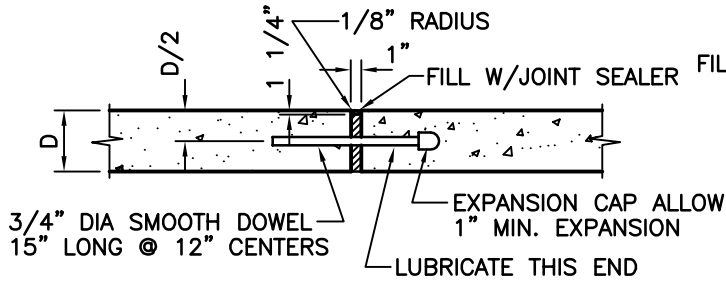
1. TRANSVERSE TYPE C JOINTS SHALL BE SAWED AS SOON AS CONCRETE CAN WITHSTAND RAVELING, JOINTS SHALL BE CLEANED AND FILLED WITH BITUMINOUS COMPOUND IMMEDIATELY FOLLOWING SAWING.
2. INSTALL TYPE A EXPANSION JOINTS AT INTERSECTIONS, AND AT STRUCTURES.
3. INSTALL TYPE A EXPANSION JOINTS AT PC & PT OF CURVES. WITH DEFLECTION ANGLE OF GREATER THAN 30°.
4. INSTALL TYPE A EXPANSION JOINT AT BULB OF CUL-DE-SAC.
5. INSTALL TYPE A EXPANSION JOINT AT 500' SPACING MAXIMUM.
6. USE TYPE D JOINT AT END OF DAYS WORK.

 Approved	10/01/16 Date
Revisions	

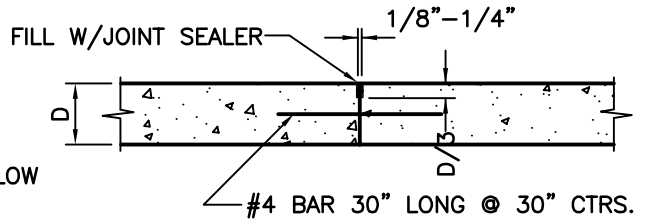


JOINT DETAILS (P.C. Concrete Pavement)

200.01A

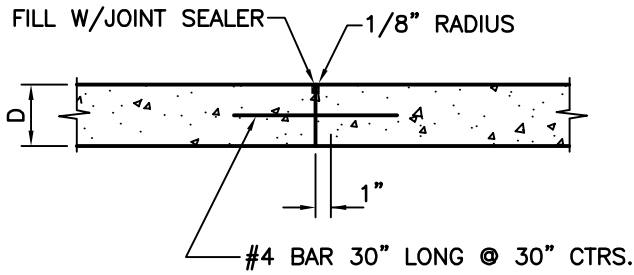


TYPE A
EXPANSION JOINT

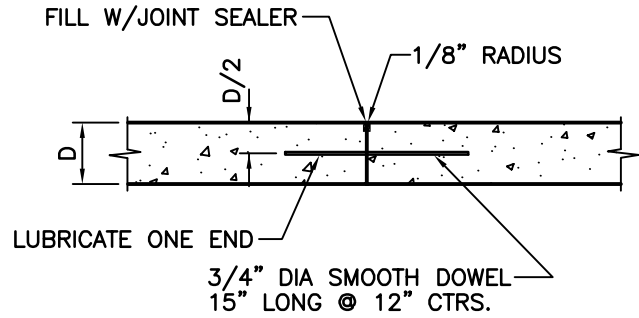


TYPE © - CONSTRUCTED WITHOUT TIE BAR
 TYPE ©S - REQUIRES TIE BAR

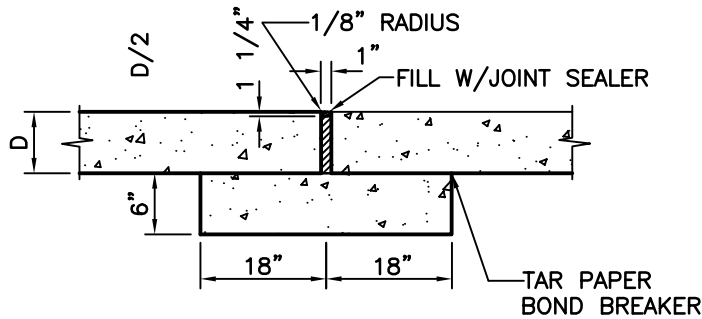
TYPE C & CS
SAWED



TYPE BS
KEYED CONSTRUCTION JOINT
(With Steel)



TYPE D
TRANSVERSE CONSTRUCTION JOINT



TYPE A ALTERNATE
CONCRETE SILL

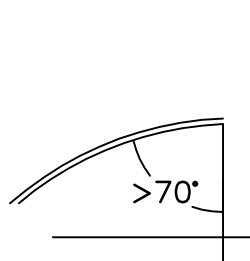
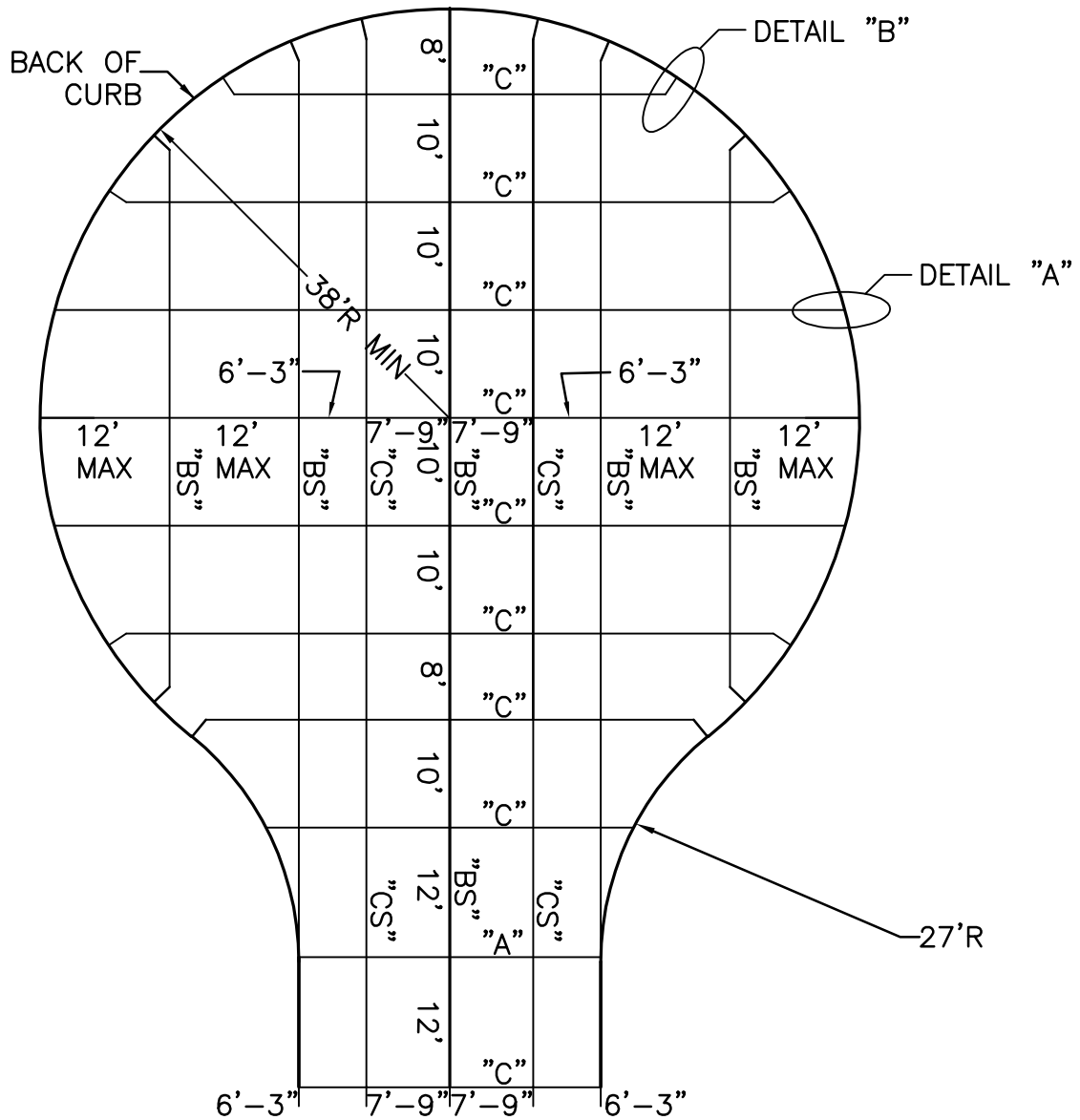
NOTE: ALL DRILLED DOWEL BARS SHALL BE EXPOXIED.

	10/01/16
Approved	Date
Revisions	

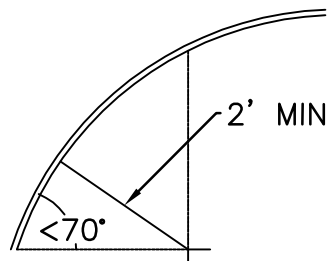


JOINT DETAILS
(P.C. Concrete Pavement)

200.01B




DETAIL "A"



DETAIL "B"

NOTE:

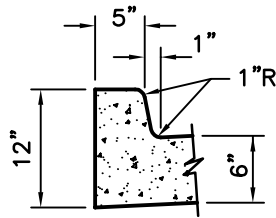
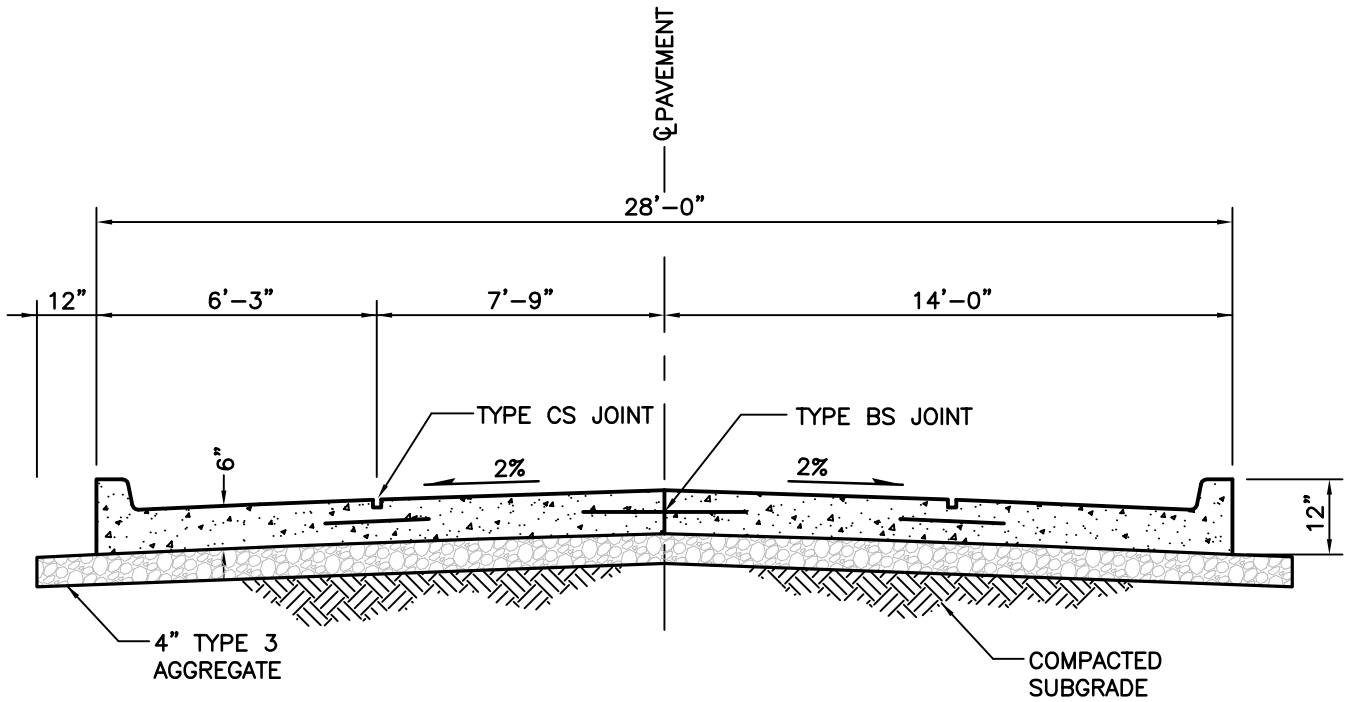
1. OTHER CUL-DE-SAC CONFIGURATIONS TO BE APPROVED BY THE DIRECTOR OF PUBLIC WORKS.

	10/01/16
Approved	Date
Revisions	



JOINTING DETAIL Residential Cul-de-sac


205.01



INTEGRAL CURB SECTION

NOTES:

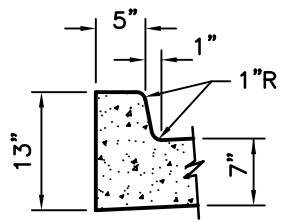
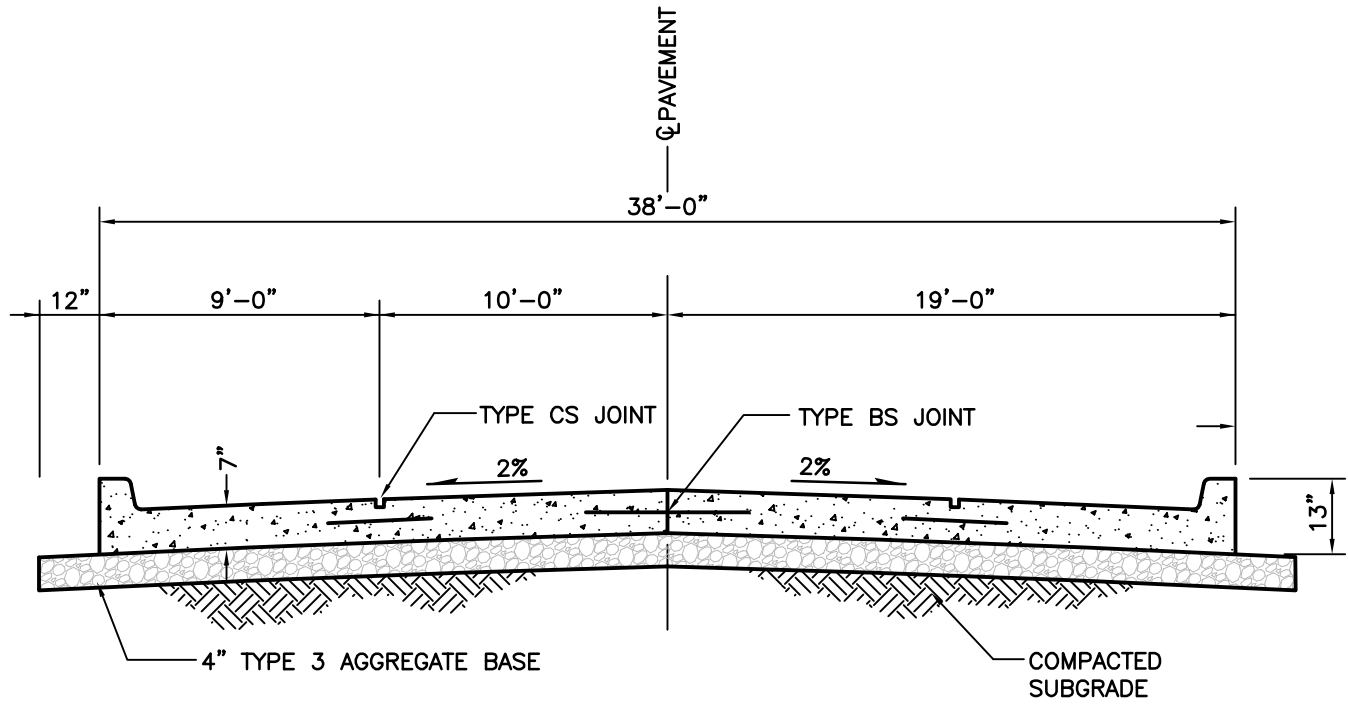
1. ALL P.C. CONCRETE SHALL BE MoDOT PAVEMENT CONCRETE.
2. SEE DETAIL 200.01 FOR JOINT DETAILS.

 Approved	10/01/16 Date
Revisions	



**RESIDENTIAL STREET
 (Concrete Pavement)**

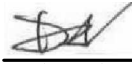
210.01



INTEGRAL CURB SECTION

NOTES:

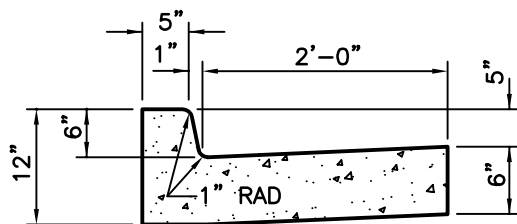
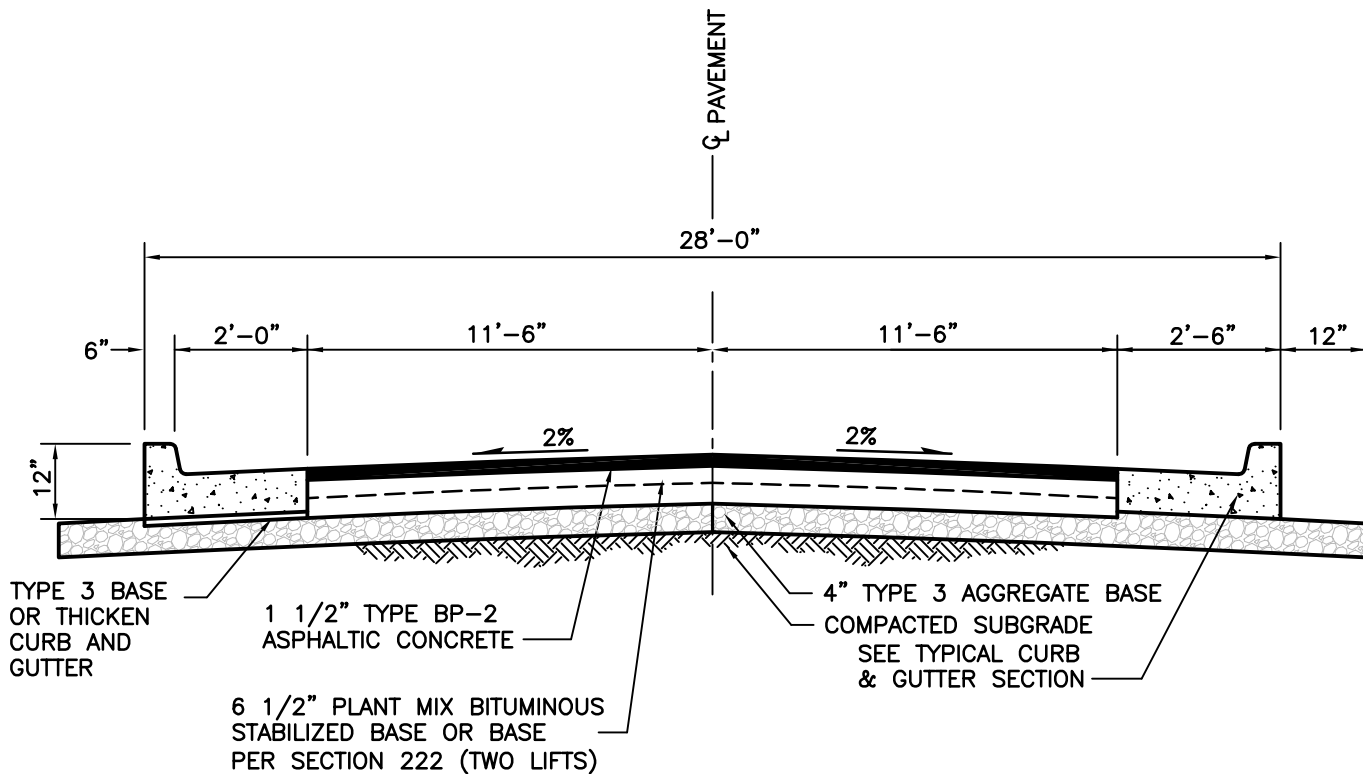
1. ALL P.C. CONCRETE SHALL BE MoDOT PAVEMENT CONCRETE
2. SEE DETAIL 200.01 FOR JOINT DETAILS.

 Approved	10/01/16 Date
Revisions	



COLLECTOR STREET
(Concrete Pavement)


220.01



TYPICAL CURB AND GUTTER SECTION

NOTES:

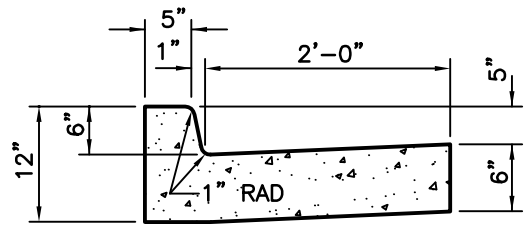
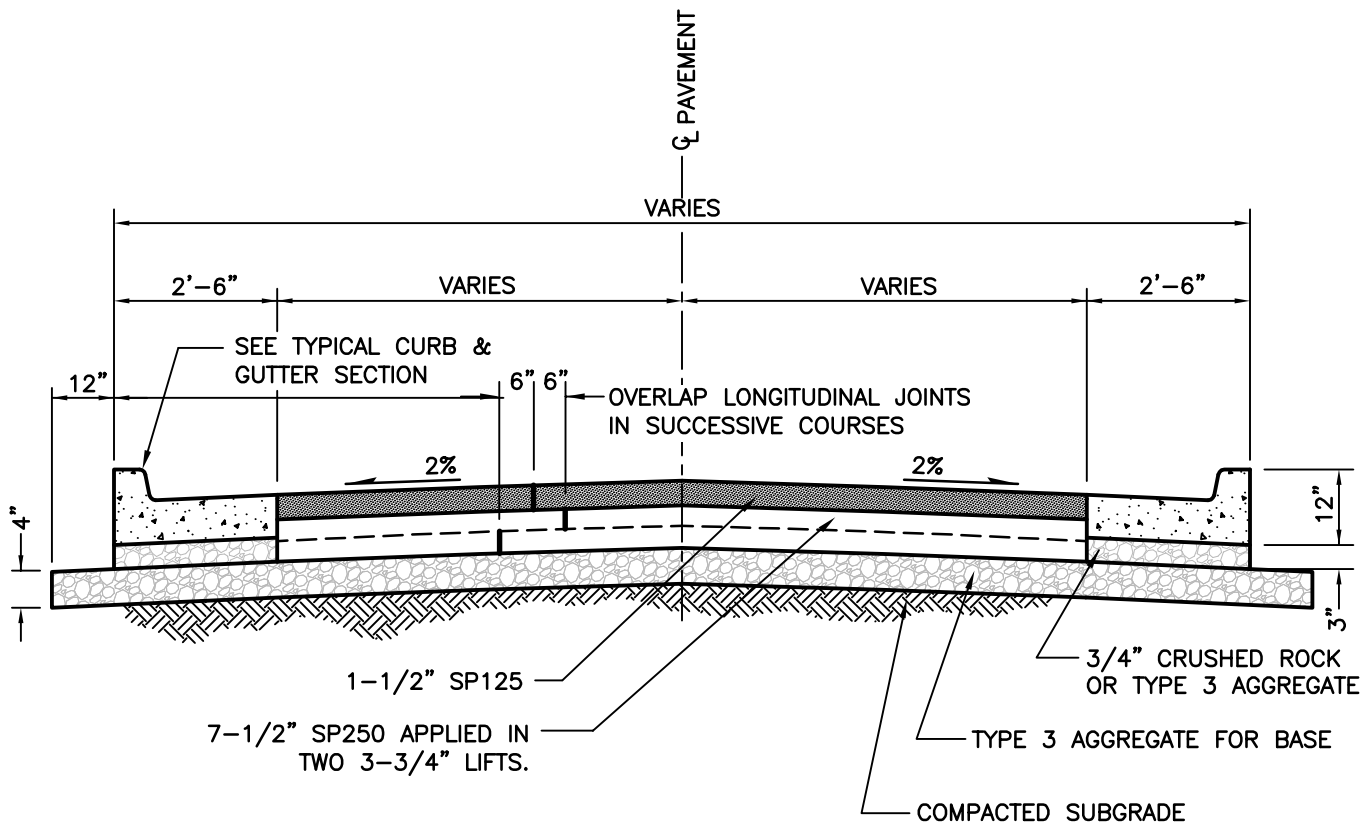
1. ALL P.C. CONCRETE SHALL BE MoDOT PAVEMENT CONCRETE.
2. INSTALL 1/2" EXPANSION JOINTS IN CURB AND GUTTER SECTION AT P.C. AND P.T. OF CURB RADIUS OF INTERSECTIONS AND EVERY 150'.
3. INSTALL SAW JOINTS IN CURB AND GUTTER SECTION AT 10 FT. MAXIMUM SPACING, SEAL WITH BITUMASTIC JOINT SEALANT.
4. 4% PARABOLIC CROWN IS ACCEPTABLE IN LIEU OF 2% NORMAL CROWN.

 Approved	10/01/16 Date
Revisions	



**RESIDENTIAL STREET
(Asphaltic Pavement)**


310.01



TYPICAL CURB AND GUTTER SECTION

NOTES:

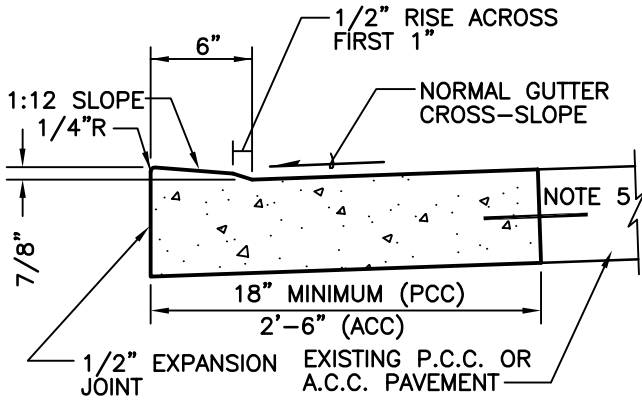
1. ALL P.C. CONCRETE SHALL BE MoDOT PAVEMENT CONCRETE.
2. INSTALL 1/2" EXPANSION JOINTS IN CURB AND GUTTER SECTION AT P.C. AND P.T. OF CURB RADIUS OF INTERSECTIONS AND EVERY 150'.
3. INSTALL SAW JOINTS IN CURB AND GUTTER SECTION AT 10 FT. MAXIMUM SPACING, SEAL WITH BITUMASTIC JOINT SEALANT.
4. 4% PARABOLIC CROWN IS ACCEPTABLE IN LIEU OF 2% NORMAL CROWN.

 Approved	10/01/16 Date
Revisions	

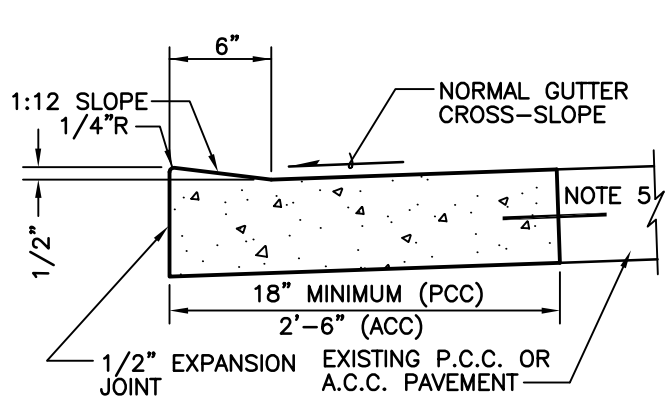


COLLECTOR STREET
(Asphaltic Pavement)

320.01



SIDEWALK RAMP CURB
(Alternate)




SIDEWALK RAMP CURB

PCC PAVEMENT NOTES:

1. CONCRETE SHALL BE MoDOT PAVEMENT CONCRETE.
2. PAVEMENT THICKNESS SHALL MATCH EXISTING. BASE SHALL MATCH EXISTING
3. EXPANSION JOINTS AND CONTRACTION JOINTS SHALL BE PLACED AT LOCATIONS SIMILAR TO THE PAVEMENT WHICH WAS REMOVED.
4. CURB EDGE SHALL BE TOOLED WITH 1/4" RADIUS
5. WHERE EXISTING PAVEMENT IS P.C.C., LOW CURB REPLACEMENT SHALL BE DOWELLED INTO EXISTING. 12" LONG #4 BARS AT 24" CTR. ALL DRILLED DOWEL BARS SHALL BE EXPOXIED.

ACC PAVEMENT NOTES:

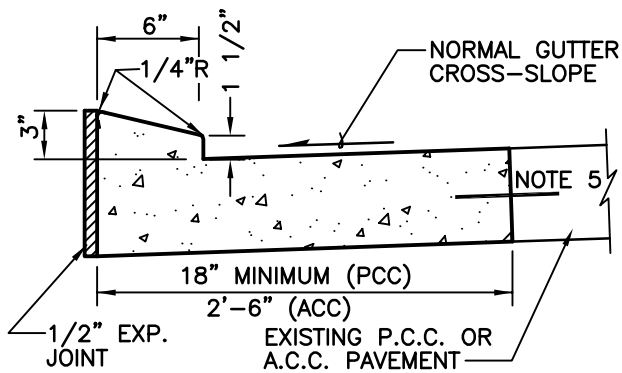
1. CONCRETE SHALL BE MoDOT PAVEMENT CONCRETE.
2. GUTTER THICKNESS SHALL MATCH EXISTING, BASE SHALL MATCH EXISTING
3. EXPANSION JOINTS AND CONTRACTION JOINTS SHALL BE PLACED AT LOCATIONS SIMILAR TO THE CURB AND GUTTER WHICH WAS REMOVED.
4. CURB EDGE SHALL BE TOOLED WITH 1/4" RADIUS

 Approved	10/01/16 Date
Revisions	

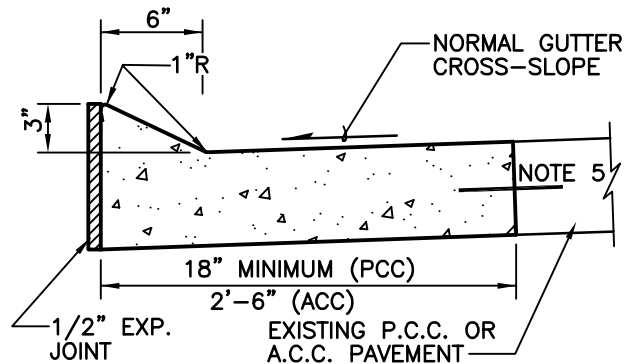


CURB DETAILS
(Sidewalk Ramp)

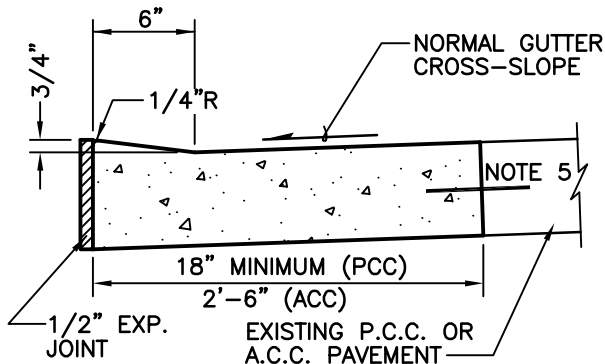
400.01



RESIDENTIAL DRIVEWAY CURB
MAXIMUM RISE (PREFERRED)



RESIDENTIAL DRIVEWAY CURB
MAXIMUM RISE (ALTERNATE)



RESIDENTIAL DRIVEWAY CURB
MINIMUM RISE

GENERAL NOTES:


1. ELEVATION OF DRIVEWAY AT R.O.W. LINE REQUIRED TO BE A MINIMUM OF 6" ABOVE GUTTER ELEVATION. VERIFY R.O.W. WIDTH AND ALLOWABLE DRIVEWAY SLOPES PRIOR TO CONSTRUCTING MINIMUM RISE DRIVEWAY CURB.
2. ALTERNATE CURB PROFILES WHICH FALL WITHIN THE MINIMUM RISE AND MAXIMUM RISE CURBS SHOWN WILL BE APPROVED. SLOPE ACROSS RESIDENTIAL DRIVEWAY CURB TOP MUST BE AT LEAST 1/2" IN 6" TOWARD THE STREET.
3. HORIZONTAL SAWING OF CURB IS ALLOWED AS AN ALTERNATIVE TO REMOVING AND REPLACING STANDARD CURB. HORIZONTAL SAWING MACHINE AND METHOD REQUIRES PRIOR APPROVAL. HORIZONTAL SAWING IS NOT ALLOWED ON CITY BID PROJECTS.

PCC PAVEMENT NOTES:

1. CONCRETE SHALL BE MoDOT PAVEMENT CONCRETE.
2. PAVEMENT THICKNESS SHALL MATCH EXISTING. BASE SHALL MATCH EXISTING
3. EXPANSION JOINTS AND CONTRACTION JOINTS SHALL BE PLACED AT LOCATIONS SIMILAR TO THE PAVEMENT WHICH WAS REMOVED.
4. CURB EDGE SHALL BE TOOLED WITH 1/4" RADIUS
5. WHERE EXISTING PAVEMENT IS P.C.C., LOW CURB REPLACEMENT SHALL BE DOWELLED INTO EXISTING. 12" LONG #4 BARS AT 24" CTR. ALL DRILLED DOWEL BARS SHALL BE EXPOXIED.

ACC PAVEMENT NOTES:

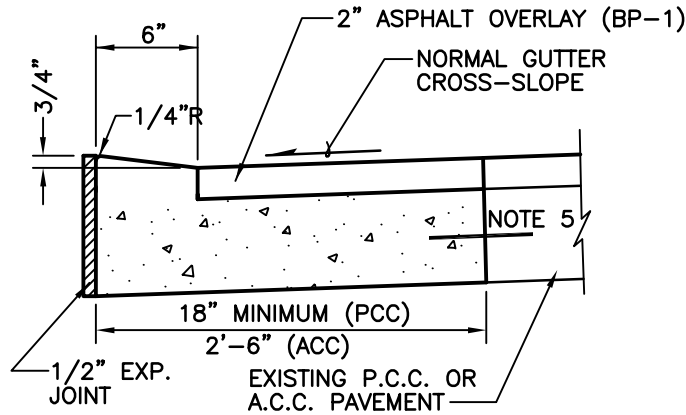
1. CONCRETE SHALL BE MoDOT PAVEMENT CONCRETE.
2. GUTTER THICKNESS SHALL MATCH EXISTING, BASE SHALL MATCH EXISTING
3. EXPANSION JOINTS AND CONTRACTION JOINTS SHALL BE PLACED AT LOCATIONS SIMILAR TO THE CURB AND GUTTER WHICH WAS REMOVED.
4. CURB EDGE SHALL BE TOOLED WITH 1/4" RADIUS

 Approved	10/01/16 Date
Revisions	

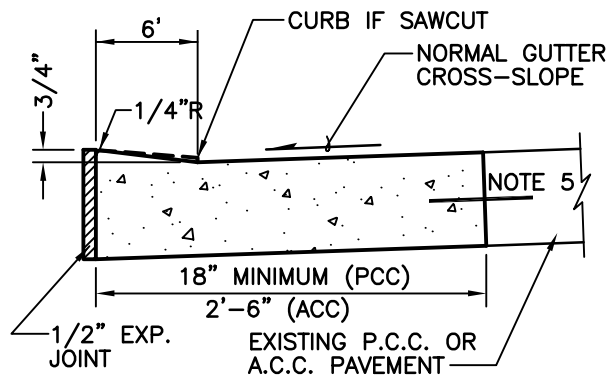


CURB DETAILS
(Residential Driveway)

400.02



COMMERCIAL DRIVEWAY CURB AT ASPHALT OVERLAID STREET



COMMERCIAL DRIVEWAY CURB

HORIZONTAL SAWING OF CURB IS ALLOWED AS AN ALTERNATIVE TO REMOVING AND REPLACING STANDARD CURB. HORIZONTAL SAWING MACHINE AND METHOD REQUIRES PRIOR APPROVAL. HORIZONTAL SAWING IS NOT ALLOWED ON CITY BID PROJECTS.

PCC PAVEMENT NOTES:

1. CONCRETE SHALL BE MoDOT PAVEMENT CONCRETE.
2. PAVEMENT THICKNESS SHALL MATCH EXISTING. BASE SHALL MATCH EXISTING
3. EXPANSION JOINTS AND CONTRACTION JOINTS SHALL BE PLACED AT LOCATIONS SIMILAR TO THE PAVEMENT WHICH WAS REMOVED.
4. CURB EDGE SHALL BE TOOLED WITH 1/4" RADIUS
5. WHERE EXISTING PAVEMENT IS P.C.C., LOW CURB REPLACEMENT SHALL BE DOWELLED INTO EXISTING. 12" LONG #4 BARS AT 24" CTR. ALL DRILLED DOWEL BARS SHALL BE EXPOXIED.

ACC PAVEMENT NOTES:

1. CONCRETE SHALL BE MoDOT PAVEMENT CONCRETE.
2. GUTTER THICKNESS SHALL MATCH EXISTING, BASE SHALL MATCH EXISTING
3. EXPANSION JOINTS AND CONTRACTION JOINTS SHALL BE PLACED AT LOCATIONS SIMILAR TO THE CURB AND GUTTER WHICH WAS REMOVED.
4. CURB EDGE SHALL BE TOOLED WITH 1/4" RADIUS


Approved

10/01/16
Date

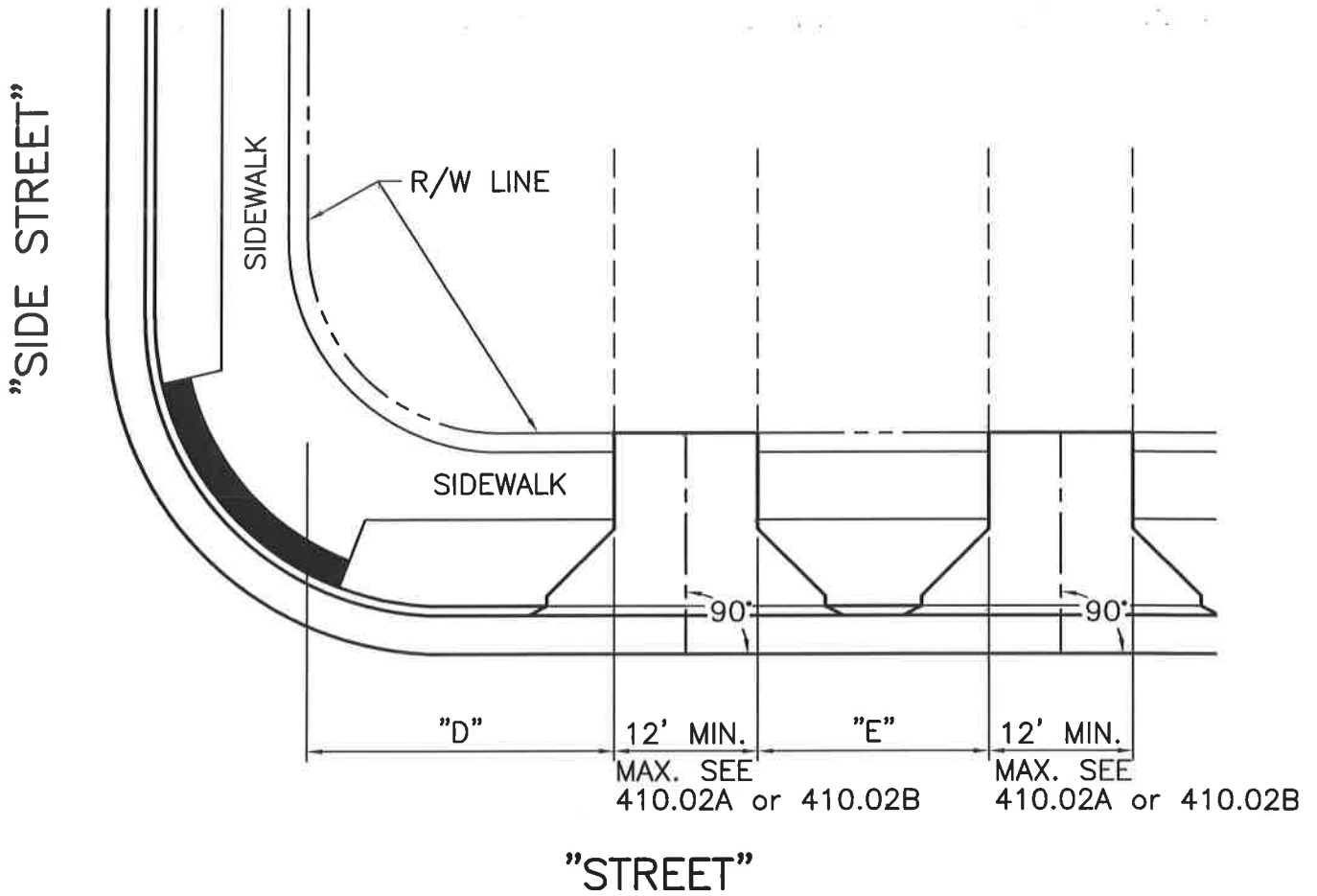
Revisions



City of Columbia
Public Works Department


CURB DETAILS
(Commercial Driveway)

400.03



TYPE OF STREET	MINIMUM DISTANCES	
	"D"	"E"
LOCAL RESIDENTIAL	20'	—
LOCAL NON-RESIDENTIAL	20'	20'

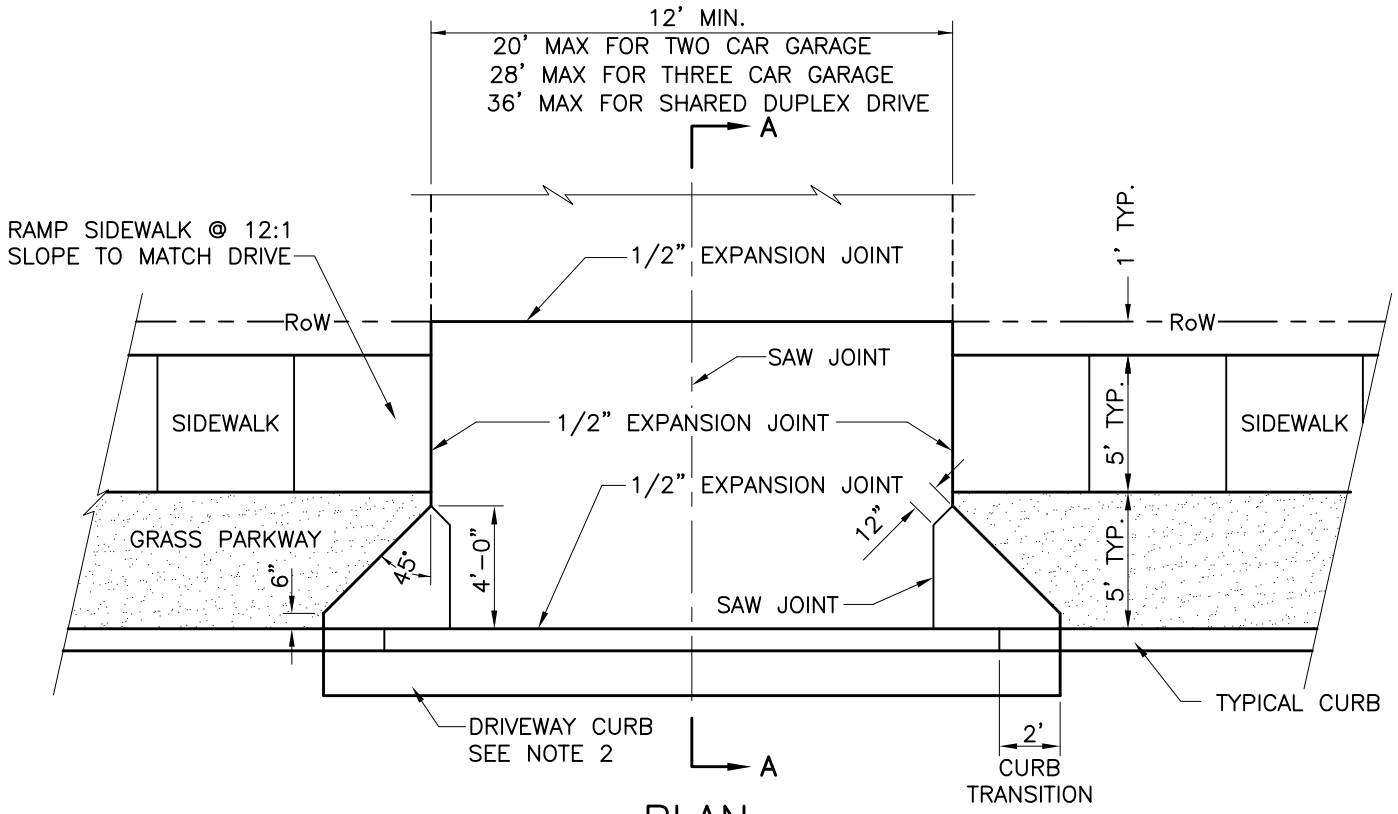
FOR COLLECTOR & ARTERIAL SPACING, WIDTH AND IF "SIDE STREET" IS AN ARTERIAL OR COLLECTOR, SEE CHAPTER 29 OF THE CITY OF COLUMBIA ORDINANCES


 Approved 10/01/18
 Date
 Revisions



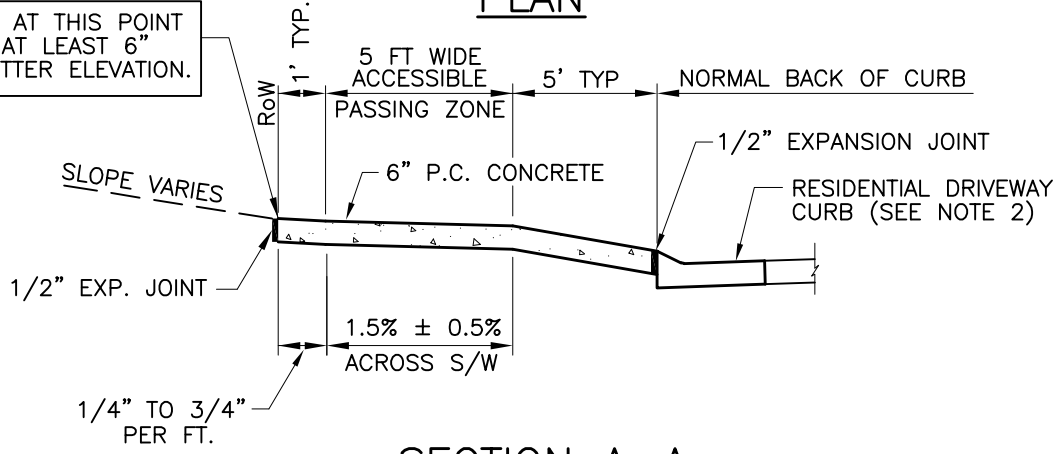
DRIVEWAY LOCATIONS

410.01



PLAN


ELEVATION AT THIS POINT MUST BE AT LEAST 6" ABOVE GUTTER ELEVATION.



SECTION A-A

NOTES:

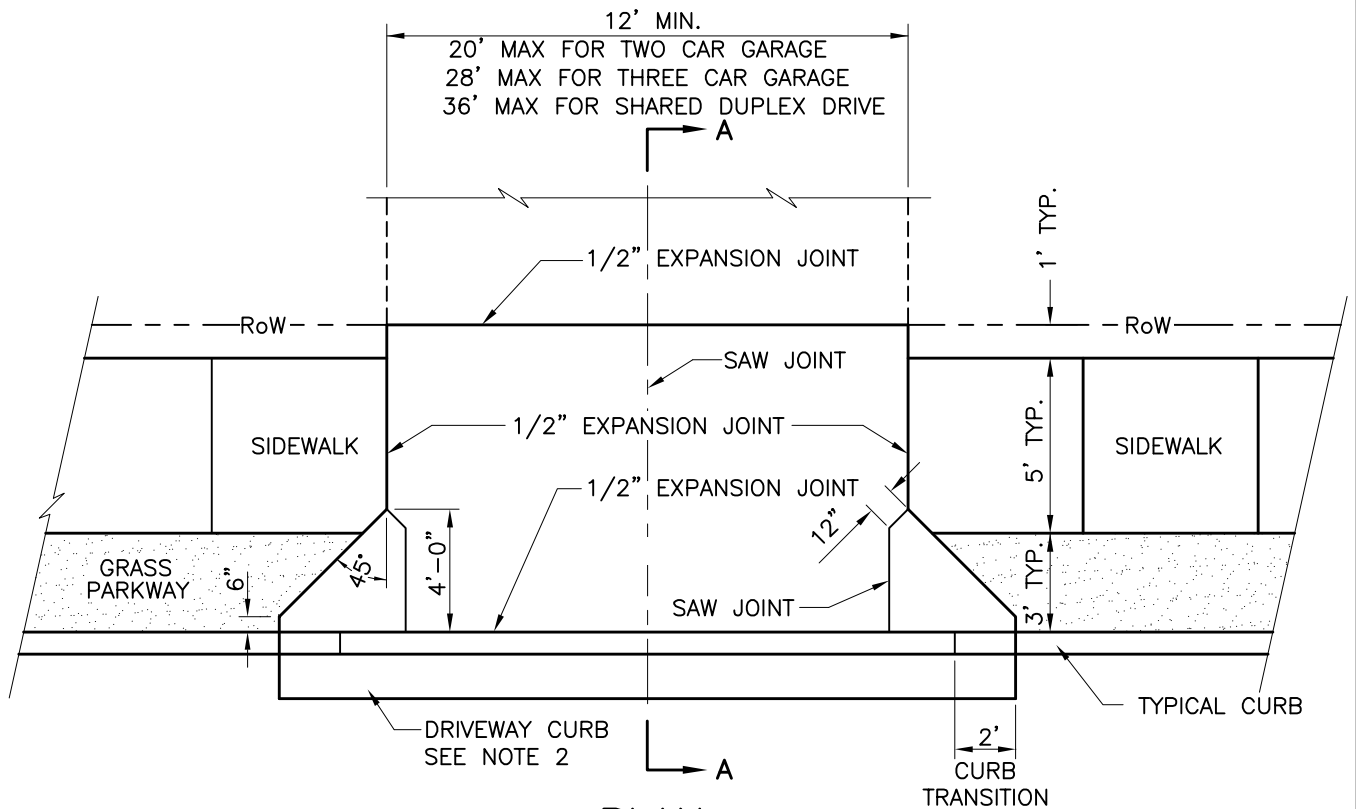
1. DRIVEWAY APPROACH SHALL BE 6" THICK M₀DOT PAVEMENT CONCRETE ON COMPACTED SUBGRADE.
2. REPLACE STANDARD CURB & GUTTER SECTION WITH DRIVEWAY CURB SECTION. SEE DETAIL 400.02.
3. EXPANSION JOINT SHALL BE 1/2" PREFORMED CORK OR BITUMINOUS EXPANSION JOINT MATERIAL.
4. ALL DRIVEWAY APPROACHES SHALL SLOPE TOWARD THE STREET.
5. ALL DRIVEWAY APPROACHES SHALL BE CONSTRUCTED TO ACCOMMODATE SIDEWALKS. (EXISTING AND FUTURE) STANDARD SIDEWALK LOCATION IS 1 FT OFF OF R₀W LINE
6. DRIVEWAY APPROACH SHALL PROVIDE A MINIMUM 5' WIDE ACCESSIBLE SIDEWALK PASSING ZONE.
7. DRIVEWAY SLOPE ACROSS ACCESSIBLE SIDEWALK PASSING ZONE IS 1.5% ± 0.5%. CROSS SLOPE SHALL NOT EXCEED 2.00%.
8. MINIMIZE SIDEWALK WARPING ADJACENT TO DRIVEWAY APPROACH.
9. GREENSPACE SLOPE WITHIN RIGHT OF WAY SHALL NOT EXCEED 3/4" PER FOOT.
10. DRIVEWAY MAY BE REINFORCED AT OWNER'S OPTION. ON CITY BID PROJECTS DO NOT REINFORCE.
11. MEASURE FROM TOP OF CURB.

 Approved	07/01/20 Date
Revisions	



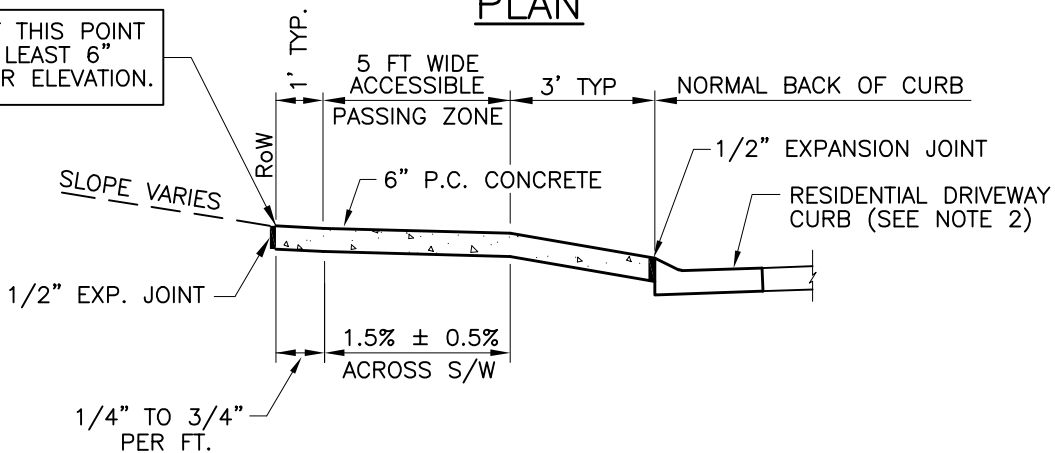
DRIVE APPROACH
(Residential, 28' street)

410.02A



PLAN


ELEVATION AT THIS POINT MUST BE AT LEAST 6" ABOVE GUTTER ELEVATION.



SECTION A-A

NOTES:

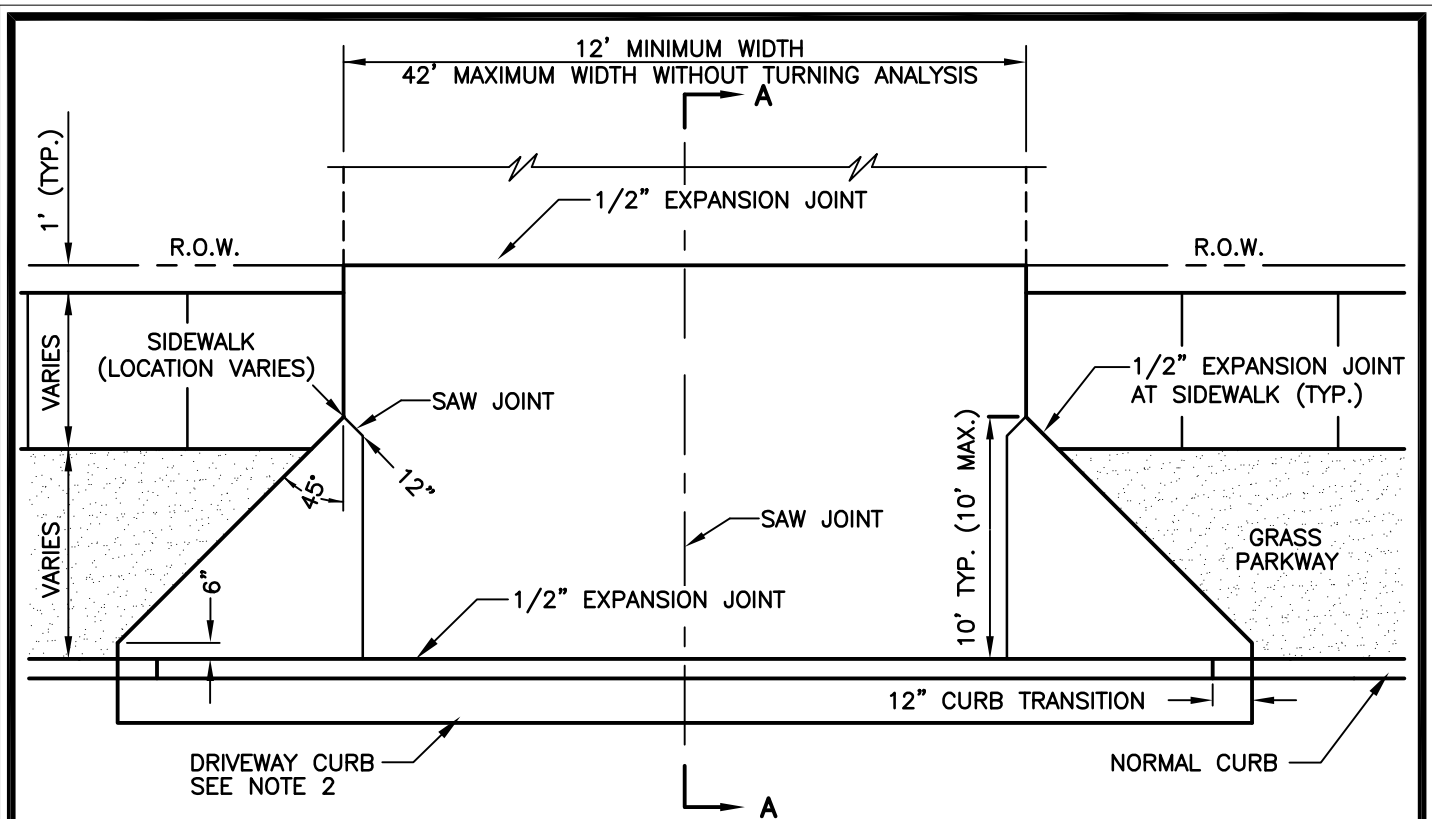
1. DRIVEWAY APPROACH SHALL BE 6" THICK M&DOT PAVEMENT CONCRETE ON COMPACTED SUBGRADE.
2. REPLACE STANDARD CURB & GUTTER SECTION WITH DRIVEWAY CURB SECTION. SEE DETAIL 400.02.
3. EXPANSION JOINT SHALL BE 1/2" PREFORMED CORK OR BITUMINOUS EXPANSION JOINT MATERIAL.
4. ALL DRIVEWAY APPROACHES SHALL SLOPE TOWARD THE STREET.
5. ALL DRIVEWAY APPROACHES SHALL BE CONSTRUCTED TO ACCOMMODATE SIDEWALKS. (EXISTING AND FUTURE) STANDARD SIDEWALK LOCATION IS 1 FT OFF OF RoW LINE
6. DRIVEWAY APPROACH SHALL PROVIDE A MINIMUM 5' WIDE ACCESSIBLE SIDEWALK PASSING ZONE.
7. DRIVEWAY SLOPE ACROSS ACCESSIBLE SIDEWALK PASSING ZONE IS 1.5% ± 0.5%. CROSS SLOPE SHALL NOT EXCEED 2.00%.
8. MINIMIZE SIDEWALK WARPING ADJACENT TO DRIVEWAY APPROACH.
9. GREENSPACE SLOPE WITHIN RIGHT OF WAY SHALL NOT EXCEED 3/4" PER FOOT.
10. DRIVEWAY MAY BE REINFORCED AT OWNER'S OPTION. ON CITY BID PROJECTS DO NOT REINFORCE.
11. MEASURE FROM TOP OF CURB.

 Approved	07/01/20 Date
Revisions	



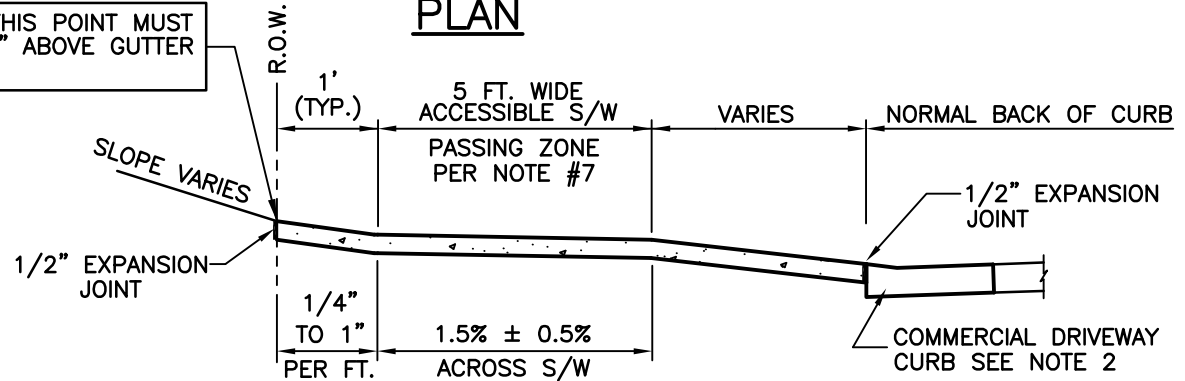
DRIVE APPROACH
(Residential, 32' street)

410.02B



PLAN


ELEVATION AT THIS POINT MUST BE AT LEAST 6" ABOVE GUTTER ELEVATION.



SECTION A-A

NOTES:

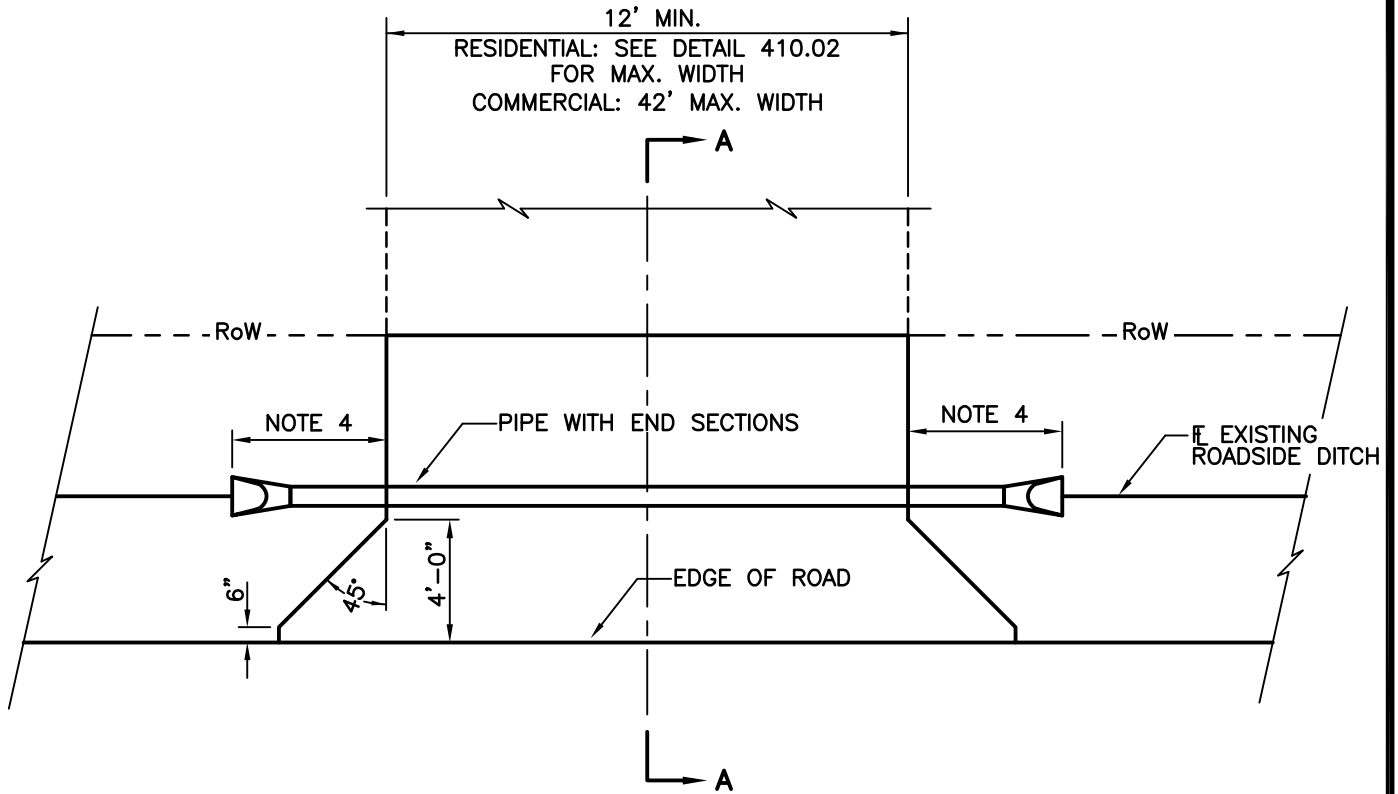
1. DRIVEWAY APPROACH SHALL BE 7" THICK M_oDOT PAVEMENT CONCRETE.
2. REPLACE STANDARD CURB & GUTTER SECTION WITH DRIVEWAY CURB SECTION. SEE DETAIL 400.03.
3. EXPANSION JOINT SHALL BE 1/2" PREFORMED CORK OR BITUMINOUS EXPANSION JOINT MATERIAL.
4. ALL DRIVEWAY APPROACHES SHALL SLOPE TOWARD THE STREET.
5. ALL DRIVEWAY APPROACHES SHALL BE CONSTRUCTED TO ACCOMMODATE SIDEWALKS. (EXISTING AND FUTURE) STANDARD SIDEWALK LOCATION IS 1 FOOT OFF OF RIGHT OF WAY LINE.
6. DRIVEWAY APPROACH SHALL PROVIDE A MINIMUM 5' WIDE ACCESSIBLE SIDEWALK PASSING ZONE.
7. DRIVEWAY SLOPE ACROSS ACCESSIBLE SIDEWALK PASSING ZONE IS 1.5% ± 0.5%. CROSS SLOPE SHALL NOT EXCEED 2.00%.
8. MINIMIZE SIDEWALK WARPING ADJACENT TO DRIVEWAY APPROACH.
9. GREENSPACE SLOPE WITHIN RIGHT OF WAY SHALL NOT EXCEED 3/4" PER FOOT.
10. DRIVEWAY MAY BE REINFORCED AT OWNER'S OPTION. ON CITY BID PROJECTS DO NOT REINFORCE.
11. MEASURE FROM TOP OF CURB.

 Approved	07/01/20 Date
Revisions	

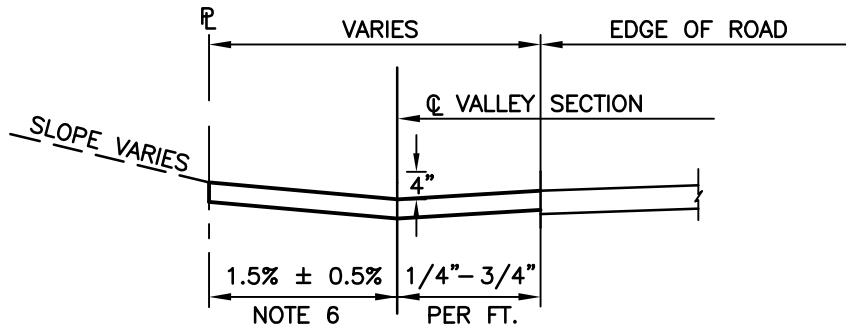


DRIVE APPROACH
(Commercial)

410.03




PLAN



SECTION A-A

NOTES:

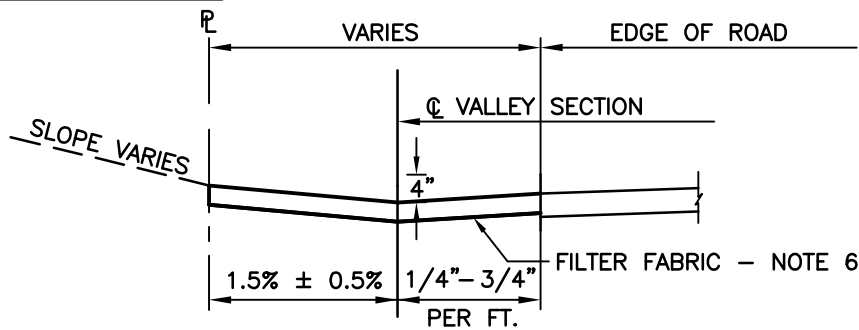
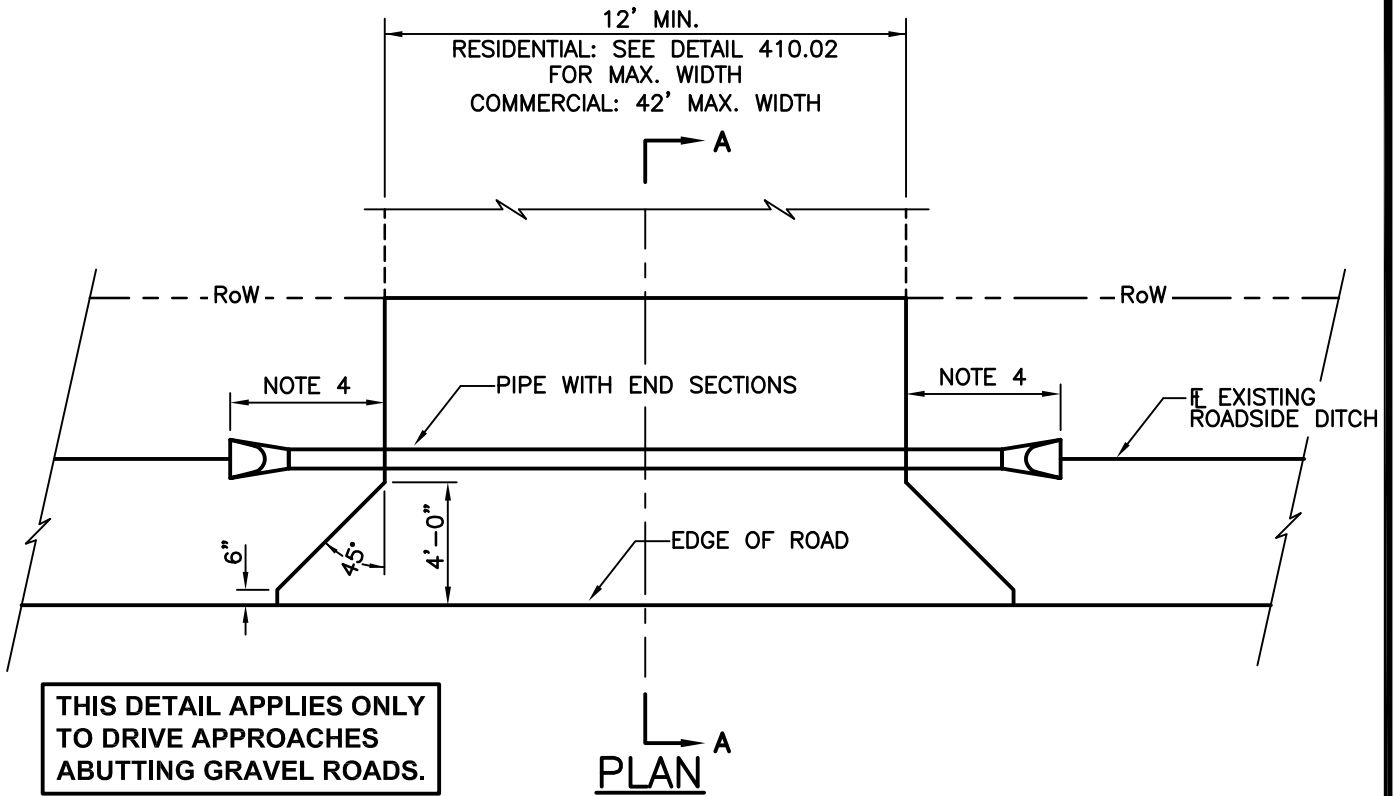
1. DRIVEWAY APPROACH SHALL BE 6" FULL DEPTH ASPHALTIC CEMENT CONCRETE OR MoDOT PAVEMENT CONCRETE
2. VALLEY SECTION REQUIRED, VALLEY SHALL BE 4" BELOW EDGE OF ROAD
3. PIPE UNDER DRIVEWAY SHALL BE SIZED TO CARRY 10 YR STORM, MINIMUM 12" DIAMETER.
4. PIPE LENGTH BASED ON 3:1 FILL SLOPE, USE FLARED END SECTION OR BEVEL END OF PIPE TO MATCH 3:1 SLOPE. HEADWALLS NOT ALLOWED.
5. WHERE THE ROADSIDE DITCH AT A DRIVEWAY DRAINS LESS THAN 10,000 SQ. FT. THE PIPE CAN BE OMITTED, INCREASE VALLEY SECTION DEPTH TO 6".
6. DRIVEWAYS SHALL PROVIDE FOR FUTURE SIDEWALKS AND ROAD IMPROVEMENTS, DRIVEWAY SLOPE BETWEEN VALLEY AND R.O.W. LINE SHALL NOT EXCEED 2.0%.

	07/01/20
Approved	Date
Revisions	



DRIVE APPROACH
(Unimproved Street)

410.04



NOTE:

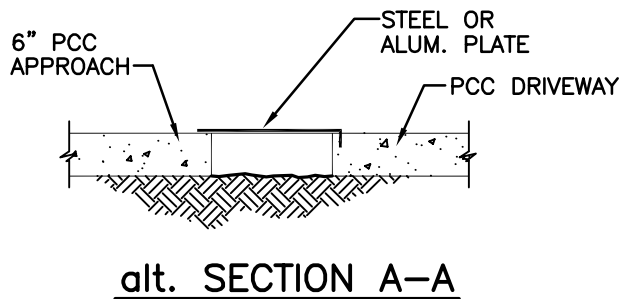
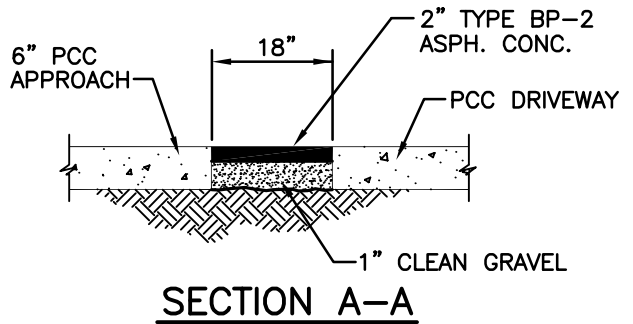
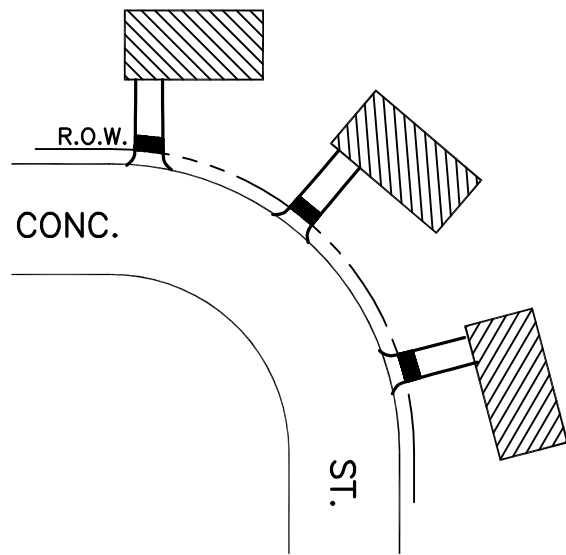
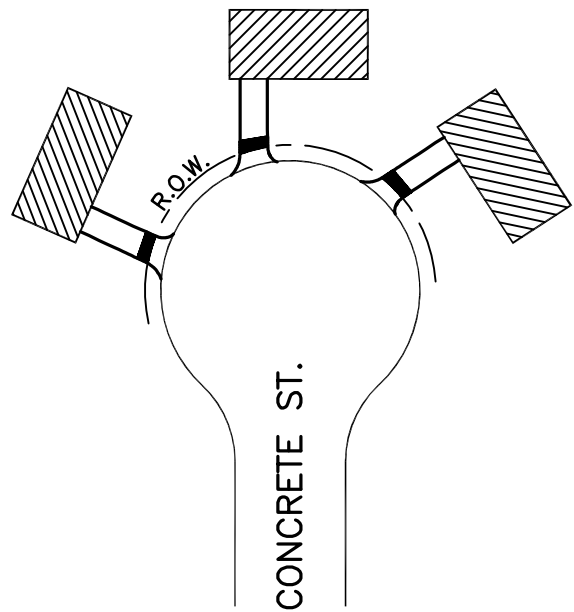
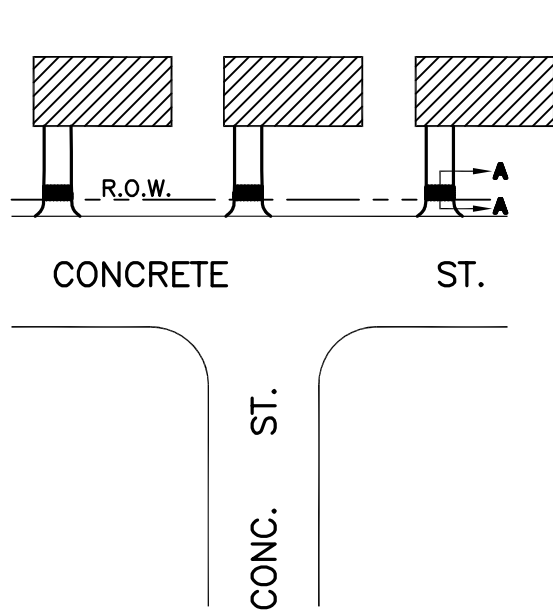
1. DRIVEWAY APPROACH SHALL BE A MINIMUM OF 8" OF 2 1/2" MINUS ROCK OR SHALL BE A MINIMUM OF 5" OF HOT MIX ASPHALT OR 6" OF MoDOT PAVEMENT CONCRETE. IN THE CASE OF A HARD SURFACED APPROACH, THE APPROACH SHALL BE SET BACK A MINIMUM OF 12" BEYOND EDGE OF ROAD.
2. VALLEY SECTION REQUIRED, VALLEY SHALL BE 4" BELOW EDGE OF ROAD
3. PIPE UNDER DRIVEWAY SHALL BE SIZED TO CARRY 10 YR STORM, MINIMUM 12" DIAMETER.
4. PIPE LENGTH BASED ON 3:1 FILL SLOPE, USE FLARED END SECTION OR BEVEL END OF PIPE TO MATCH 3:1 SLOPE. HEADWALLS NOT ALLOWED.
5. WHERE THE ROADSIDE DITCH AT A DRIVEWAY DRAINS LESS THAN 10,000 SQ. FT. THE PIPE CAN BE OMITTED, INCREASE VALLEY SECTION DEPTH TO 6".
6. INSTALL HEAVY GAUGE FILTER FABRIC (MIRAFI 180N OR EQUAL) UNDER ENTIRE DRIVE APPROACH.

 <small>Approved</small>	07/01/20 <small>Date</small>
Revisions	




DRIVE APPROACH
(Gravel Roadways)

410.05



THE MOVEMENT OVER TIME OF CONCRETE STREETS DUE PRIMARILY TO THE THERMAL EXPANSION AND CONTRACTION PROPERTIES OF CONCRETE HAS CAUSED DAMAGE TO PRIVATE RESIDENCES IN SOME NEW SUB-DIVISIONS IN COLUMBIA WHERE CONCRETE STREETS ARE USED.

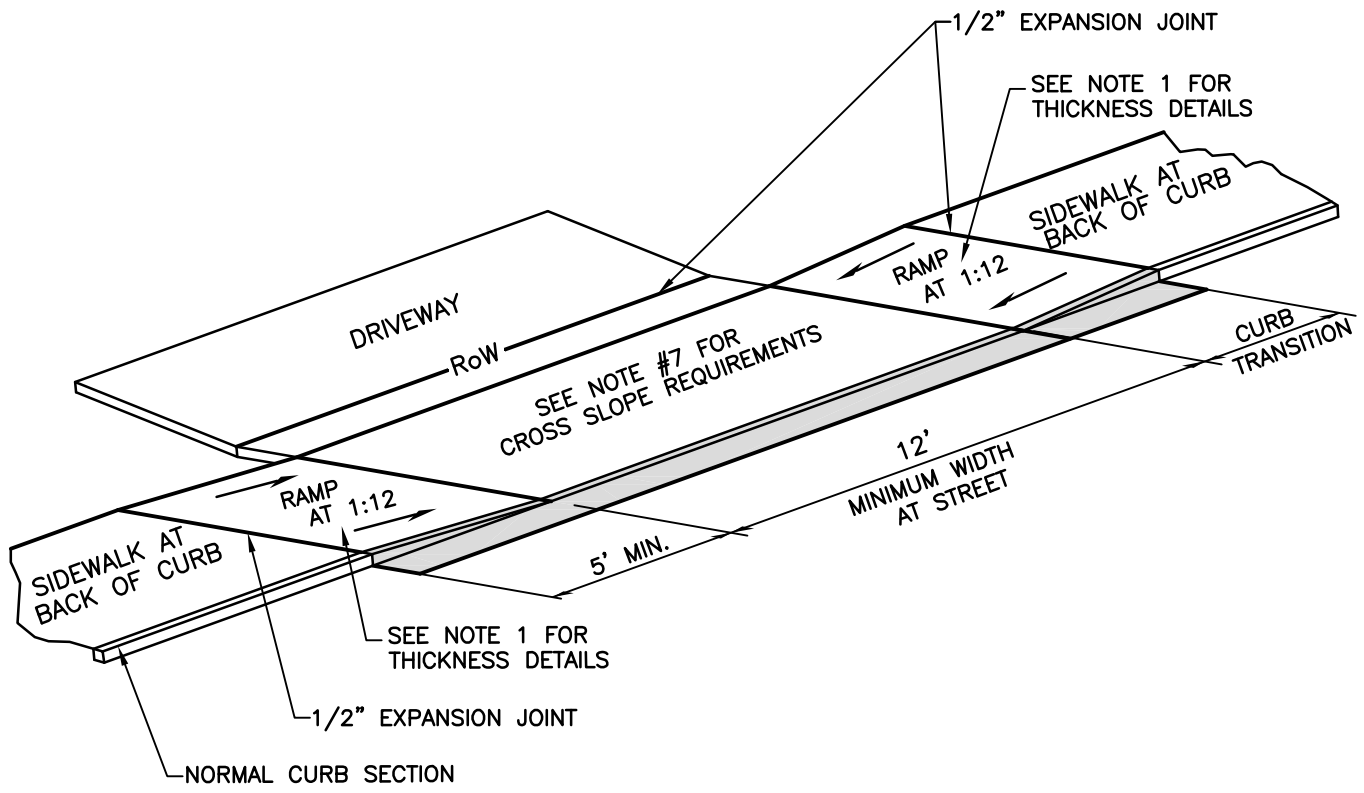
IN ORDER TO CONTROL SUCH DAMAGE, THE CITY IS RECOMMENDING THE USE OF ONE OF THE JOINT DETAILS ABOVE WHEN THE DRIVEWAY IS LOCATED AS DEPICTED ON THIS DRAWING.

	10/01/16
Approved	Date
Revisions	




ALTERNATE EXPANSION JOINTS FOR DRIVEWAYS ON P.C.C. STREETS

410.06



NOTE:

1. RAMP SHALL BE 6" THICK MoDOT PAVEMENT CONCRETE FOR RESIDENTIAL, 7" THICK MoDOT PAVEMENT CONCRETE FOR COMMERCIAL.
2. EXPANSION JOINT SHALL BE 1/2" PREFORMED CORK OR BITUMINOUS EXPANSION JOINT MATERIAL.
3. DRIVEWAY CROSS SLOPE SHALL NOT EXCEED 2.00%.
4. ALL SLOPES ARE MEASURED FROM THE HORIZONTAL.
5. REPLACE STANDARD CURB SECTION DRIVEWAY CURB SECTION - DETAIL 400.02 OR 400.03
6. RAMP LENGTH IS DEPENDENT UPON 1:12 MAX. SLOPE AT 5' MINIMUM TRANSITION AREA. USE FLATTER WHEN POSSIBLE.
7. A PEDESTRIAN ACCESSIBLE ROUTE SHALL BE PROVIDED THAT IS 4'-0" WIDE MINIMUM WITH A CROSS SLOPE OF 1.5% ± 0.5% (MAXIMUM CROSS SLOPE OF 2.0%).
8. DRIVEWAY MAY BE REINFORCED AT OWNERS OPTION. ON CITY BID PROJECTS DO NOT REINFORCE.

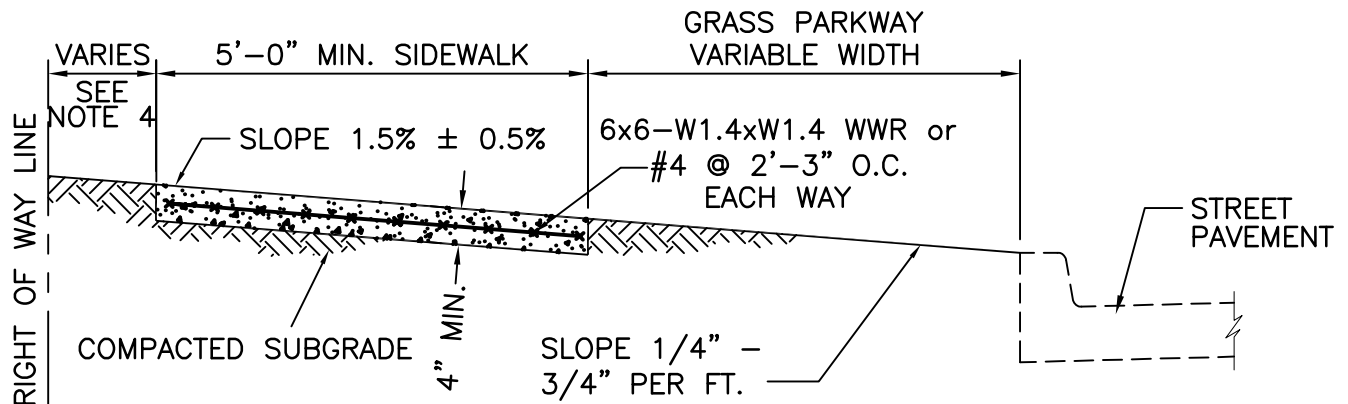
 Approved	07/01/20 Date
Revisions	



SIDEWALK DRIVEWAY DETAIL

Sidewalk at Back of Curb

410.07



SIDEWALK WITH GRASS PARKWAY

NOTE:

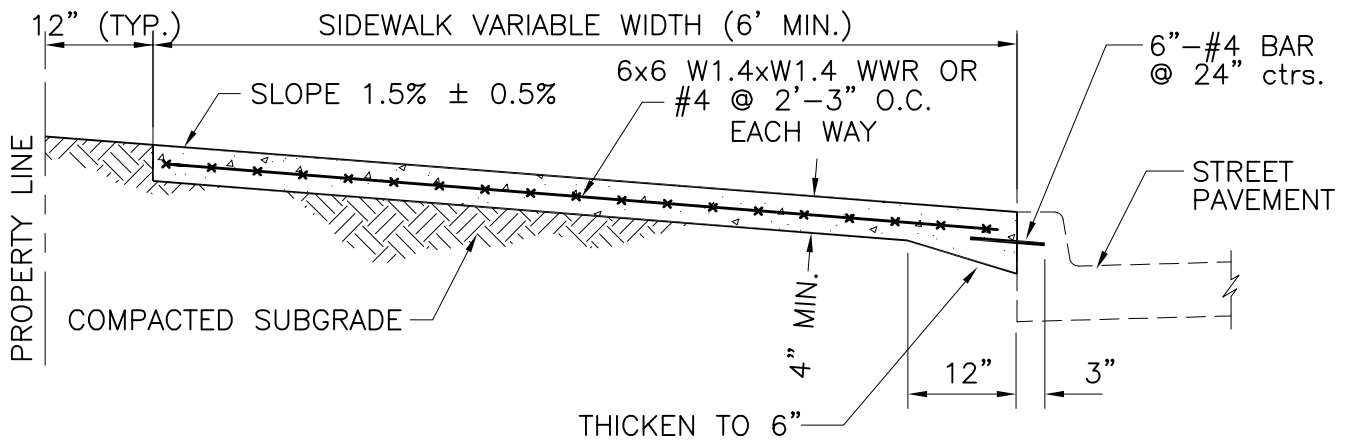
1. SIDEWALK SHALL BE 4" THICK MoDOT PAVEMENT CONCRETE.
2. INSTALL 1/2" EXPANSION JOINTS AT INTERSECTIONS, RAMPS, STRUCTURES, DRIVEWAY APPROACHES, OR EVERY 100'.
3. INSTALL TRANSVERSE SAW JOINTS AT SPACING EQUAL TO SIDEWALK WIDTH.
4. STANDARD SIDEWALK PLACEMENT IS 12" FROM RIGHT OF WAY LINE.
5. NO STEEL TO BE PLACED THROUGH EXPANSION JOINT.
6. SIDEWALK CROSS SLOPE SHALL NOT EXCEED 2.00%.
7. DAMAGED SIDEWALK MUST BE PINNED TO EXISTING SIDEWALK.
8. WWR OR REBAR SHALL BE ACCURATELY PLACED AND FIRMLY HELD IN PLACE DURING CONCRETE PLACEMENT BY APPROVED METHODS, SEE SECTION 238.9.

	07/01/20 <small>Date</small>
<small>Approved</small>	
Revisions	



SIDEWALK

420.01



NOTE:

1. SIDEWALK SHALL BE 4" THICK M_oDOT PAVEMENT CONCRETE.
2. INSTALL 1/2" TRANSVERSE EXPANSION JOINTS TO MATCH STREET OR CURB AND GUTTER EXPANSION JOINTS AND AT ALL DRIVEWAY APPROACHES, AND SIDEWALK RAMPS.
3. INSTALL TRANSVERSE SAW JOINTS AT SPACING EQUAL TO SIDEWALK WIDTH.
4. FOR DOWNTOWN SIDEWALK DETAIL SEE SECTION 1000.
5. NO STEEL TO BE PLACED THROUGH EXPANSION JOINT
6. SIDEWALK CROSS SLOPE SHALL NOT EXCEED 2.00%.
7. NEW SIDEWALK MUST BE PINNED TO EXISTING SIDEWALK.
8. WWR OR REBAR SHALL BE ACCURATELY PLACED AND FIRMLY HELD IN PLACE DURING CONCRETE PLACEMENT BY APPROVED METHODS, SEE SECTION 238.9.



07/01/20

Approved

Date

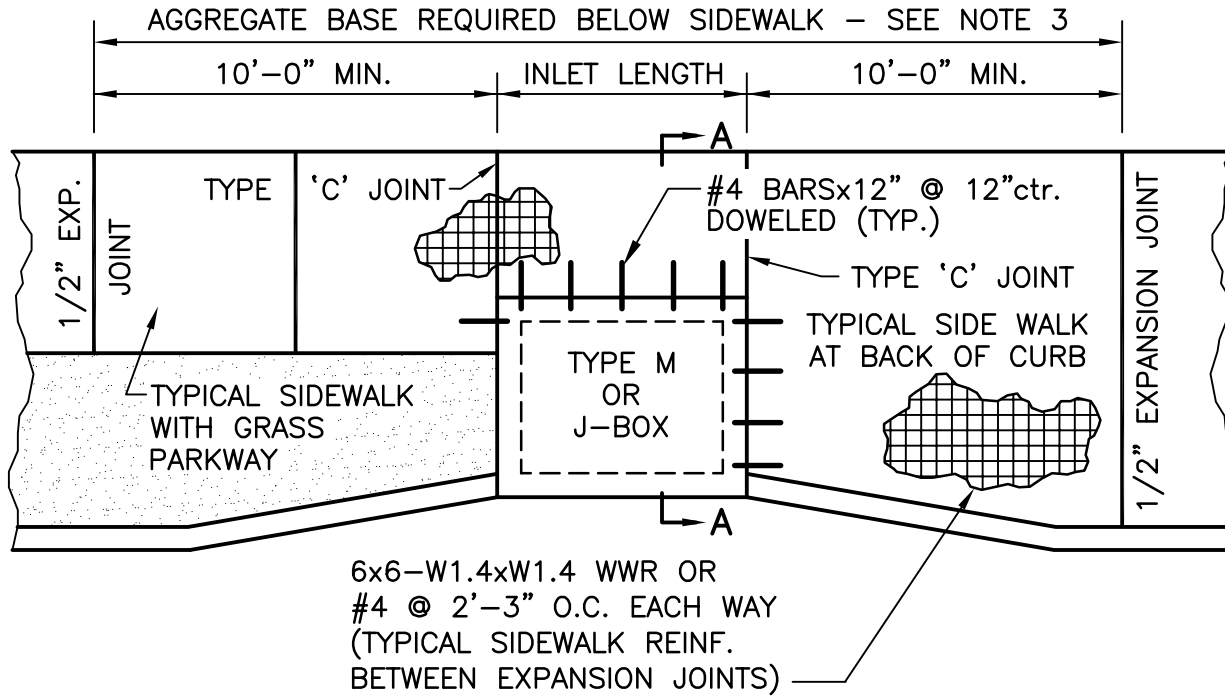
Revisions



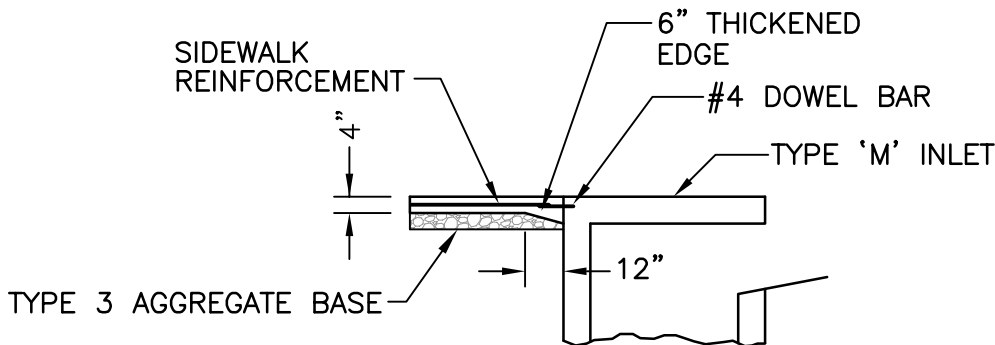
City of Columbia
Public Works Department

SIDEWALK AT BACK OF CURB

420.02




PLAN VIEW



SECTION A-A

NOTES:

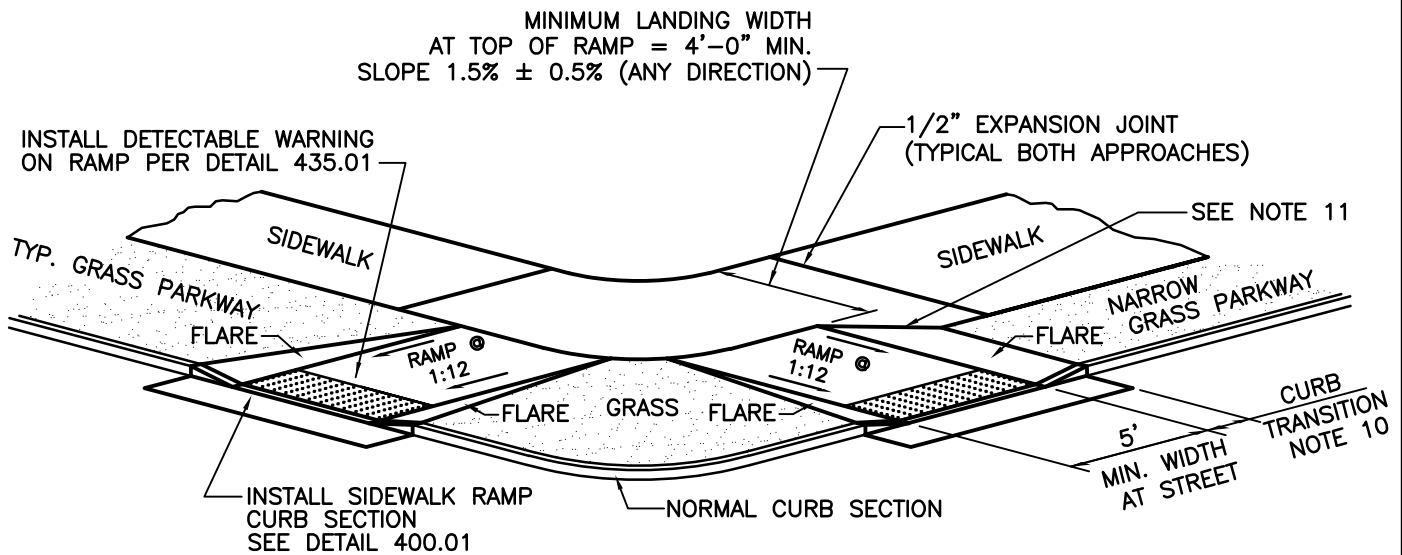
1. SIDEWALK SHALL BE 4" THICK MoDOT PAVEMENT CONCRETE
2. REINFORCING STEEL SHALL BE GRADE 60
3. 4" THICK PROPERLY PLACED TYPE 3 AGGREGATE BASE
4. ALL DRILLED DOWEL BARS SHALL BE EXPOXIED.

 Approved	10/01/16 Date
Revisions	




**SIDEWALK REINFORCEMENT
AT DRAINAGE STRUCTURE**

420.03



NOTE:

1. RAMP SHALL BE 6" THICK MoDOT PAVEMENT CONCRETE WITH #4 BARS @ 12" O.C. EACH WAY.
2. EXPANSION JOINT SHALL BE 1/2" PREFORMED CORK OR BITUMINOUS EXPANSION JOINT MATERIAL.
3. MAXIMUM RAMP CROSS SLOPE IS 2.00%.
4. ALL SLOPES ARE MEASURED FROM THE HORIZONTAL.
5. REPLACE STANDARD CURB SECTION WITH SIDEWALK RAMP CURB SECTION - DETAIL 400.01
6. RAMP LENGTH IS DEPENDENT ON 1:12 MAX. SLOPE. USE FLATTER WHEN POSSIBLE.
7. LANDING AREA AT TOP OF RAMP SHALL BE 4'-0" MIN WIDTH, CROSS SLOPE OF LANDING SHALL NOT EXCEED 2.00%, INCREASE SIDEWALK RADIUS TO OBTAIN MINIMUM 4'-0" LANDING.
8. TYPE "A" RAMP NOT APPLICABLE IF SIDEWALK AND PARKWAY WIDTH DOES NOT PROVIDE 4'-0" LANDING AT TOP OF RAMP.
9. FLARES ARE REQUIRED AT RAMPS TO KEEP GRASS PARKWAY SLOPES IN CONFORMANCE WITH THE TYPICAL CROSS SECTION.
10. CURB TRANSITION LENGTH IS DEPENDENT ON FLARE SLOPE
11. IF RAMP EXTENDS INTO NORMAL SIDEWALK, FLARE SLOPE MUST NOT EXCEED 1:10. A LANDING IS REQUIRED, SEE NOTE 7.

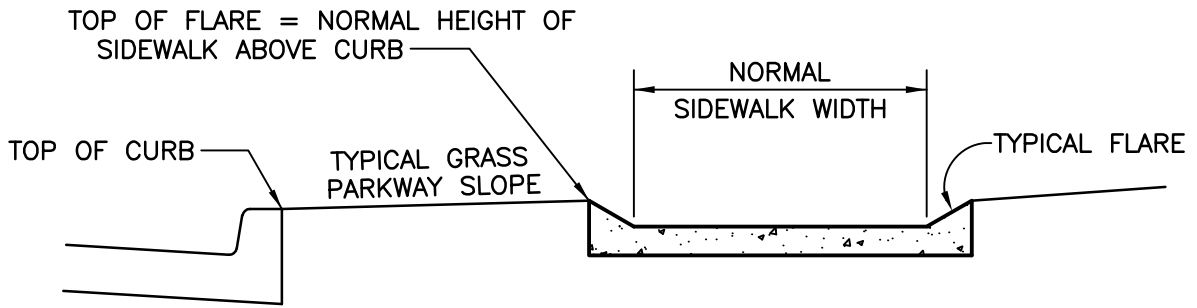
 Approved	07/01/20 Date
Revisions	



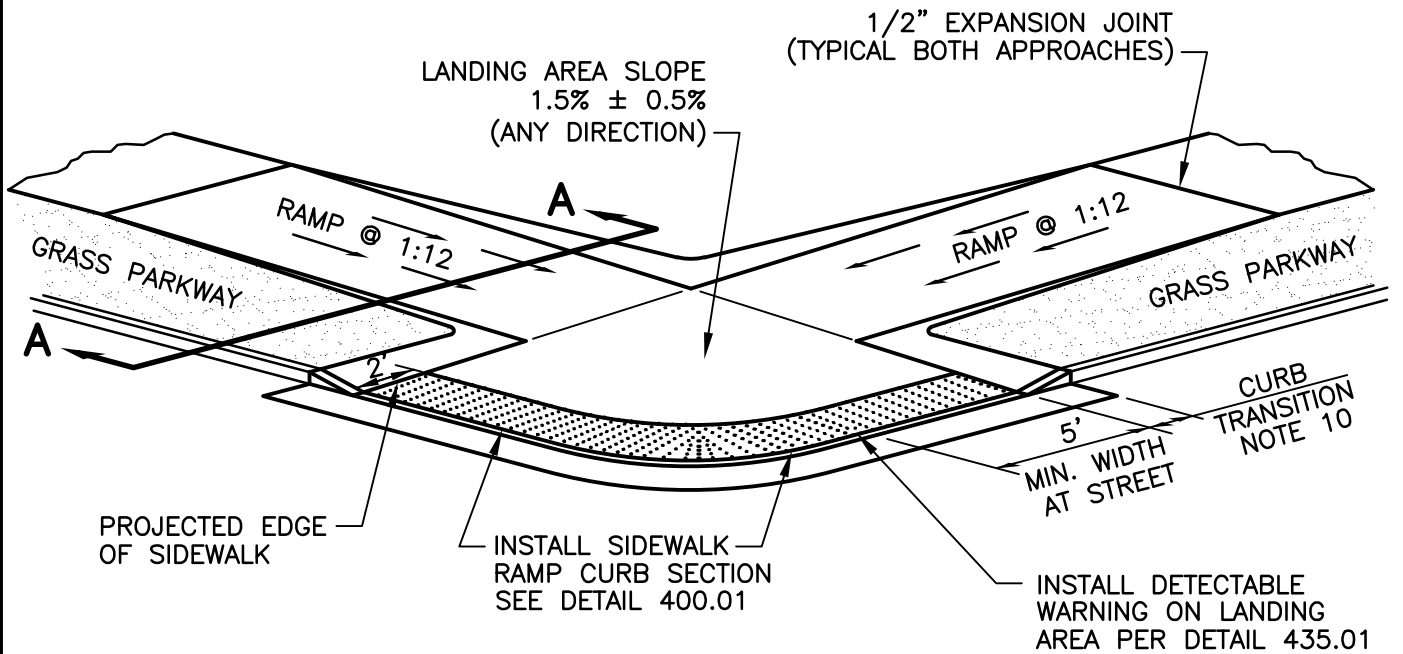
SIDEWALK RAMP

Sidewalk with Grass Parkway (Type A)

430.01




SECTION A-A



NOTES:

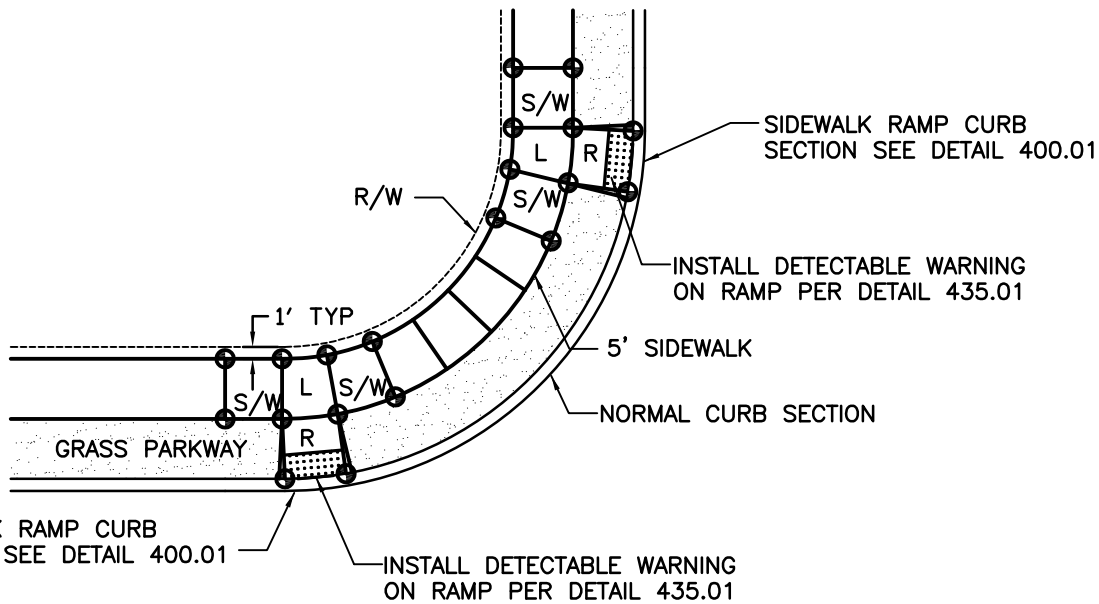
1. RAMP AND LANDING SHALL BE 6" THICK M_oDOT PAVEMENT CONCRETE WITH #4 BARS AT 12" O.C. E.W.
2. EXPANSION JOINT SHALL BE 1/2" PREFORMED CORK OR BITUMINOUS EXPANSION JOINT MATERIAL.
3. MAXIMUM RAMP CROSS SLOPE IS 2.00%.
4. ALL SLOPES ARE MEASURED FROM THE HORIZONTAL.
5. REPLACE STANDARD CURB SECTION WITH SIDEWALK RAMP CURB SECTION – DETAIL 400.01
6. RAMP LENGTH IS DEPENDENT ON 1:12 MAX. SLOPE. USE FLATTER WHEN POSSIBLE.
7. LANDING AREA SHALL BE 4'-0" MIN WIDTH. MAXIMUM RAMP SLOPE 2.0% ANY DIRECTION.
8. USE TYPE "B" RAMP ONLY IF TYPE "A" IS NOT FEASIBLE.
9. FLARES ARE REQUIRED AT RAMPS TO KEEP GRASS PARKWAY SLOPES IN CONFORMANCE WITH THE TYPICAL CROSS SECTION. (SEE SECTION A-A)
10. CURB TRANSITION LENGTH IS DEPENDENT ON FLARE SLOPE.

 Approved	07/01/20 Date
Revisions	



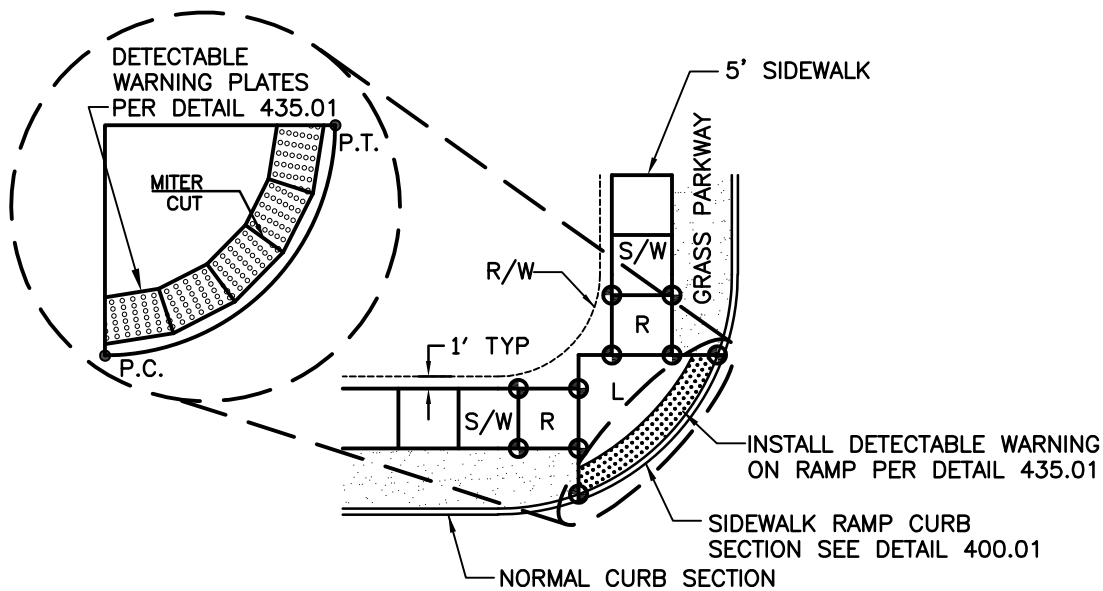
SIDEWALK RAMP
Sidewalk with Grass Parkway
(Type B)

430.02



1. Ⓢ DENOTES SPOT ELEVATION REQUIRED

TYPE "A" SIDEWALK WITH GRASS PARKWAY




- 1. Ⓢ DENOTES SPOT ELEVATION REQUIRED
- 2. DETECTABLE WARNING PLATES ARE TO BE MITERED EQUALLY ON BOTH SIDES TO BE FLUSH.

TYPE "B" SIDEWALK WITH GRASS PARKWAY

R = RAMP RUNNING SLOPE 1:12 (8.3%) MAXIMUM

L = LANDING SLOPE 1.5% ± 0.5% (2.0% SLOPE MAXIMUM ANY DIRECTION)

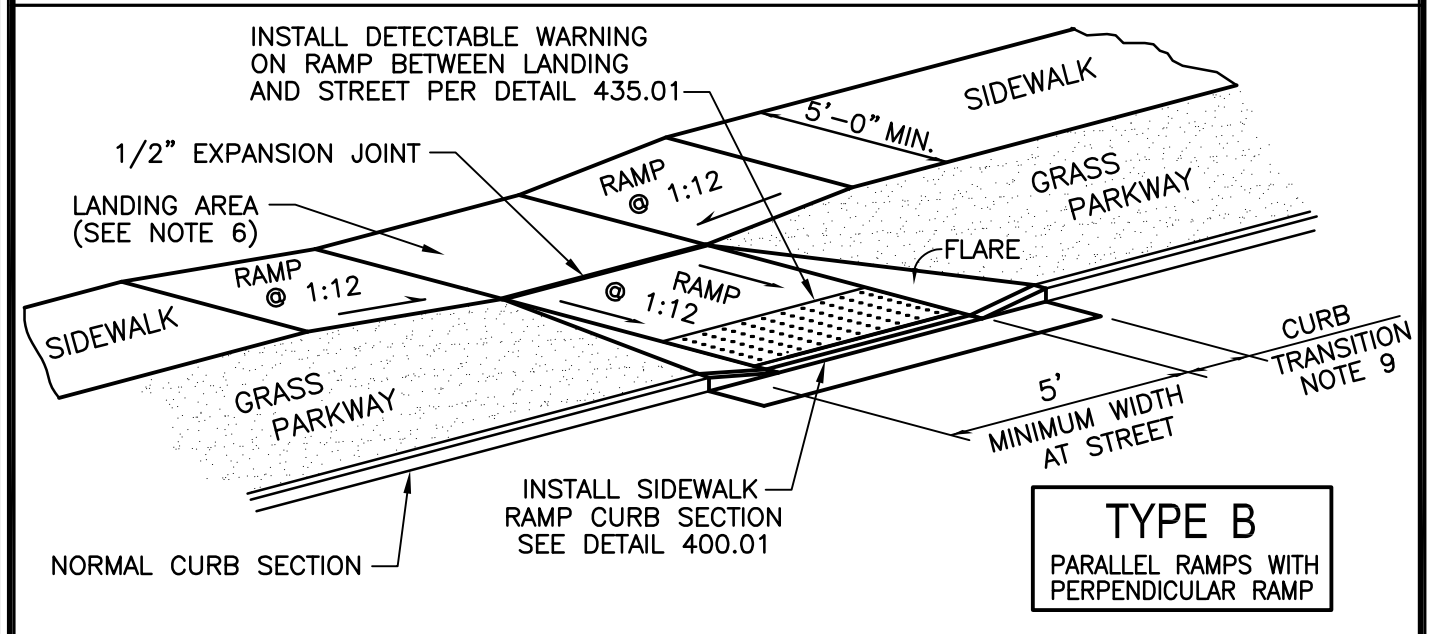
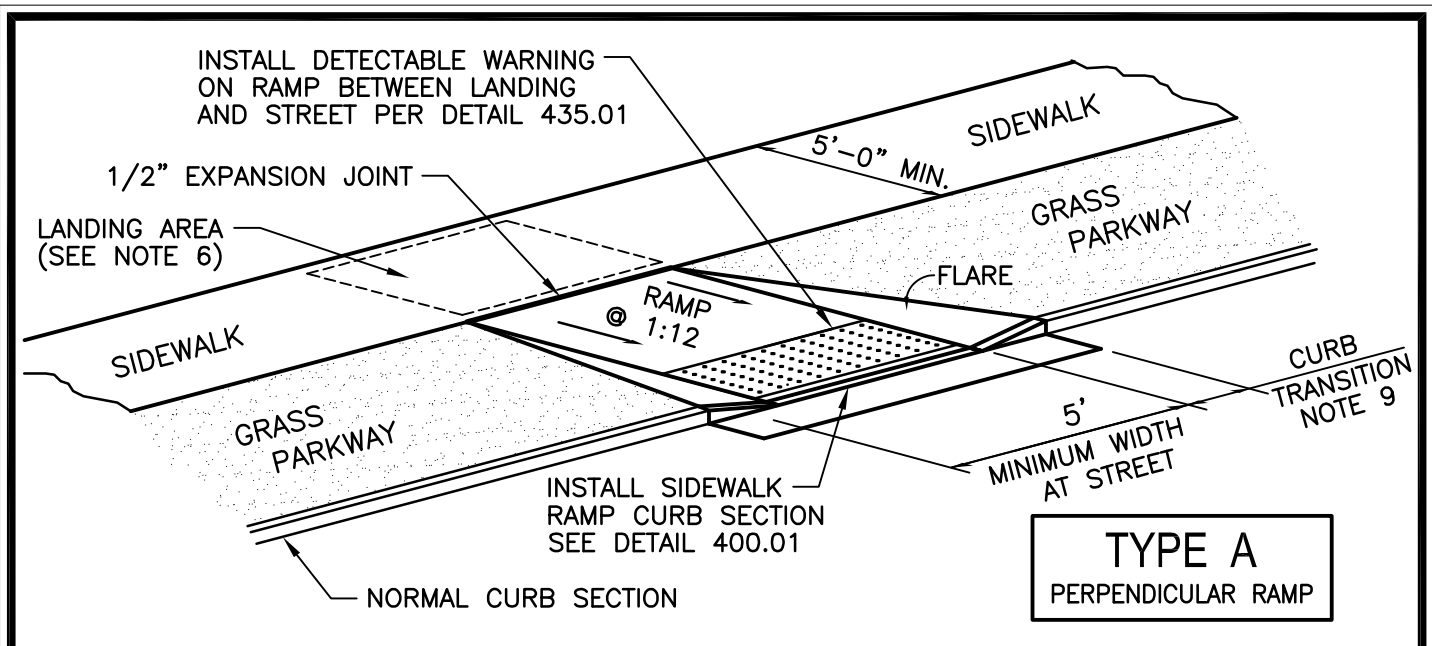
S/W = SIDEWALK CROSS SLOPE 1.5% ± 0.5% (2.0% CROSS SLOPE MAXIMUM)

 Approved	07/01/20 Date
Revisions	



SIDEWALK RAMP PLAN VIEW
Sidewalk with Grass Parkway
(Type A & B)

430.03



NOTE:

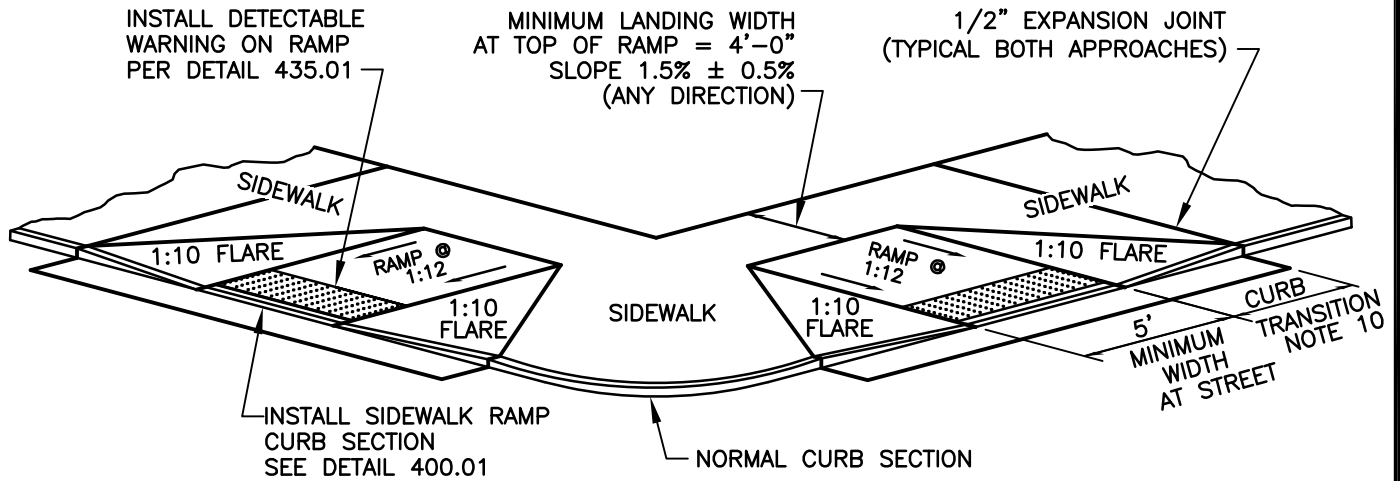
1. RAMP SHALL BE 6" THICK MoDOT PAVEMENT CONCRETE WITH #4 BARS AT 12" O.C. EACH WAY
2. EXPANSION JOINT SHALL BE 1/2" PREFORMED CORK OR BITUMINOUS EXPANSION JOINT MATERIAL.
3. ALL SLOPES ARE MEASURED FROM THE HORIZONTAL.
4. REPLACE STANDARD CURB SECTION WITH SIDEWALK RAMP CURB SECTION - DETAIL 400.01
5. RAMP LENGTH IS DEPENDENT ON 1:12 MAX. SLOPE. USE FLATTER WHEN POSSIBLE.
6. LANDING AREA AT TOP OF RAMP SHALL BE 4'-0" MIN. WIDTH. SLOPE OF LANDING SHALL BE 1.5% ± 0.5% (2.0% MAXIMUM ANY DIRECTION).
7. TYPE "A" RAMP NOT APPLICABLE IF PARKWAY WIDTH DOES NOT PROVIDE ENOUGH LENGTH FOR PERPENDICULAR RAMP AT 1:12 SLOPE.
8. FLARES ARE REQUIRED AT RAMPS TO KEEP GRASS PARKWAY SLOPES IN CONFORMANCE WITH THE TYPICAL CROSS SECTION.
9. CURB TRANSITION LENGTH IS DEPENDENT ON FLARE SLOPE.

 Approved	07/01/20 Date
Revisions	




MIDBLOCK SIDEWALK RAMP Sidewalk with Grass Parkway

431.01



NOTE:

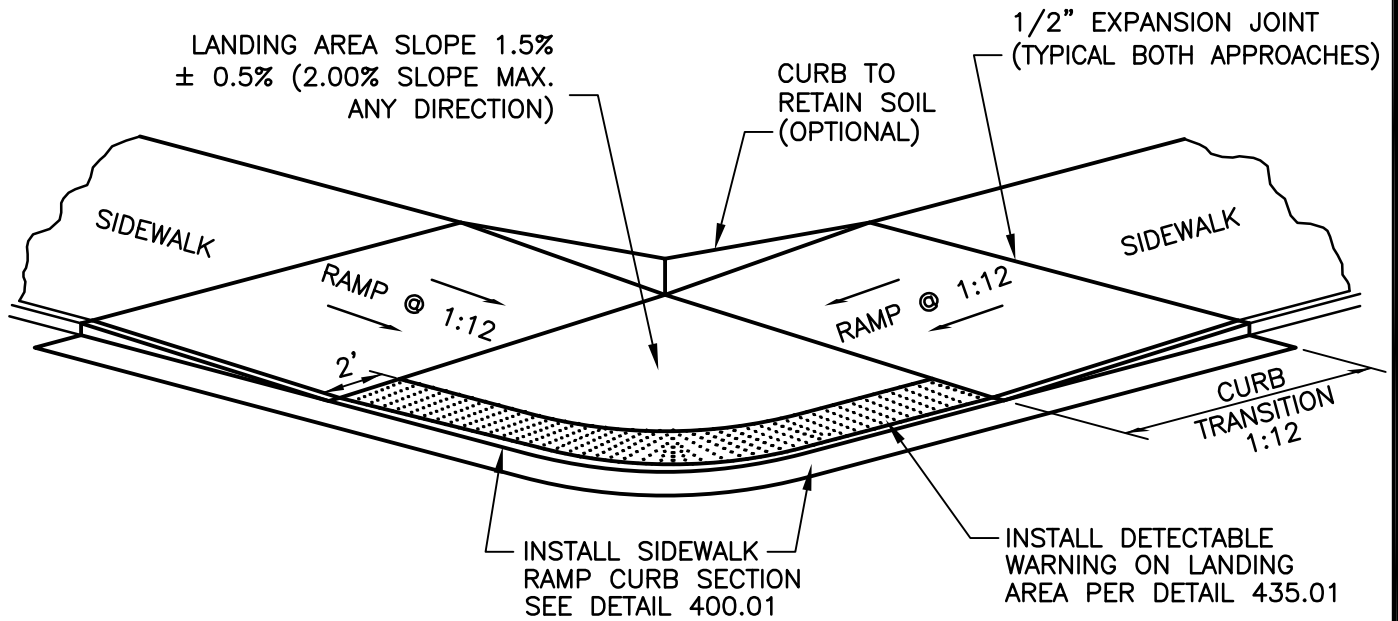
1. RAMP SHALL BE 6" THICK MoDOT PAVEMENT CONCRETE WITH #4 BARS AT 12" O.C. E.W.
2. EXPANSION JOINT SHALL BE 1/2" PREFORMED CORK OR BITUMINOUS EXPANSION JOINT MATERIAL.
3. MAXIMUM RAMP CROSS SLOPE IS 2.00%.
4. ALL SLOPES ARE MEASURED FROM THE HORIZONTAL.
5. REPLACE STANDARD CURB SECTION WITH SIDEWALK RAMP CURB SECTION – DETAIL 400.01
6. RAMP LENGTH IS DEPENDENT ON 1:12 MAX. SLOPE. USE FLATTER WHEN POSSIBLE.
7. LANDING AREA AT TOP OF RAMP SHALL BE 4'-0" MIN WIDTH, CROSS SLOPE OF LANDING SHALL NOT EXCEED 2.00%.
8. TYPE "A" RAMP NOT APPLICABLE IF SIDEWALK WIDTH DOES NOT PROVIDE 4'-0" LANDING AT THE TOP OF RAMP. USE TYPE "B" RAMP.
9. RAMP EXTENDS INTO SIDEWALK, FLARE SLOPE MUST NOT EXCEED 1:10.
10. CURB TRANSITION LENGTH IS DEPENDENT ON 1:10 FLARE SLOPE

 Approved	07/01/20 Date
Revisions	




SIDEWALK RAMP
Sidewalk at Back of Curb
(Type A)

432.01



NOTES:

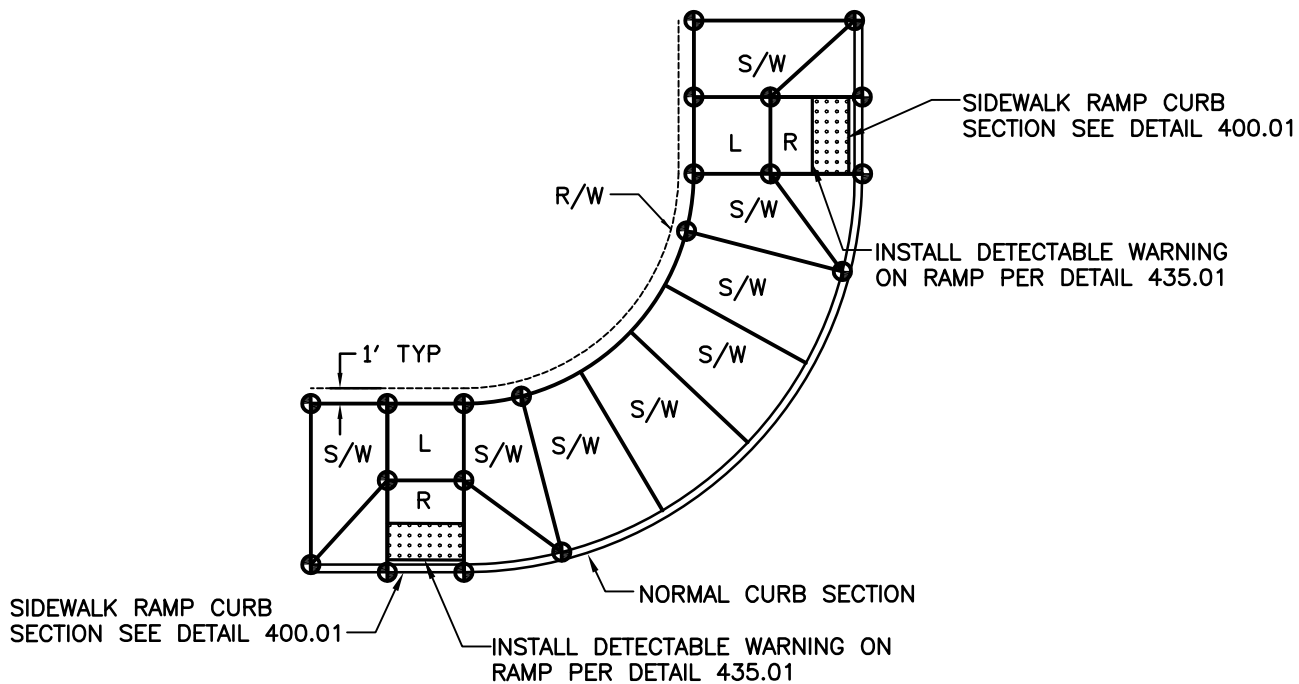
1. RAMP AND LANDING SHALL BE 6" THICK REINFORCED MoDOT PAVEMENT CONCRETE W/#4 BARS @ 12" O.C.
2. EXPANSION JOINT SHALL BE 1/2" PREFORMED CORK OR BITUMINOUS EXPANSION JOINT MATERIAL.
3. MAXIMUM RAMP CROSS SLOPE IS 2.00%.
4. ALL SLOPES ARE MEASURED FROM THE HORIZONTAL.
5. REPLACE STANDARD CURB SECTION WITH SIDEWALK RAMP CURB SECTION – DETAIL 400.01
6. RAMP LENGTH IS DEPENDENT ON 1:12 MAX. SLOPE. USE FLATTER WHEN POSSIBLE.
7. LANDING AREA SHALL BE 4'-0" MIN WIDTH.
8. USE TYPE "B" RAMP ONLY IF TYPE "A" IS NOT FEASIBLE.

 Approved	07/01/20 Date
Revisions	



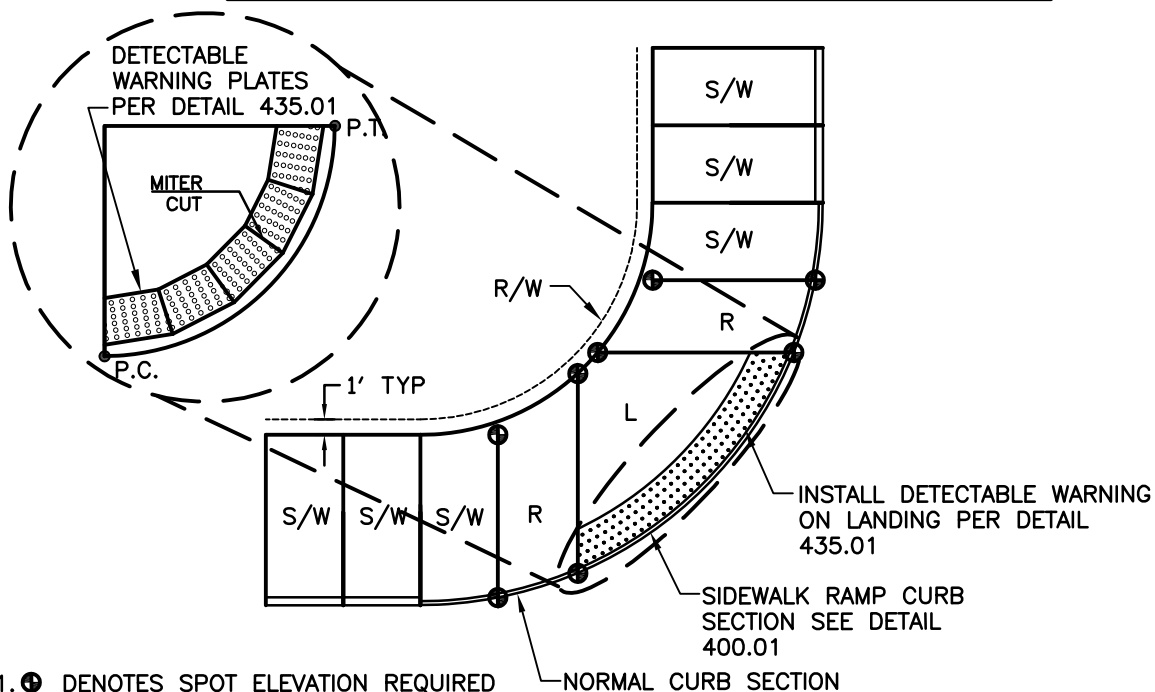
SIDEWALK RAMP
Sidewalk at Back of Curb
(Type B)

432.02



1. Ⓢ DENOTES SPOT ELEVATION REQUIRED

TYPE "A" SIDEWALK AT BACK OF CURB



1. Ⓢ DENOTES SPOT ELEVATION REQUIRED


2. DETECTABLE WARNING PLATES ARE TO BE MITERED EQUALLY ON BOTH SIDES TO BE FLUSH.

TYPE "B" SIDEWALK AT BACK OF CURB

R = RAMP RUNNING SLOPE 8.3% (1:12) MAXIMUM

L = LANDING SLOPE 1.5% ± 0.5% (2.0% MAXIMUM ANY DIRECTION)

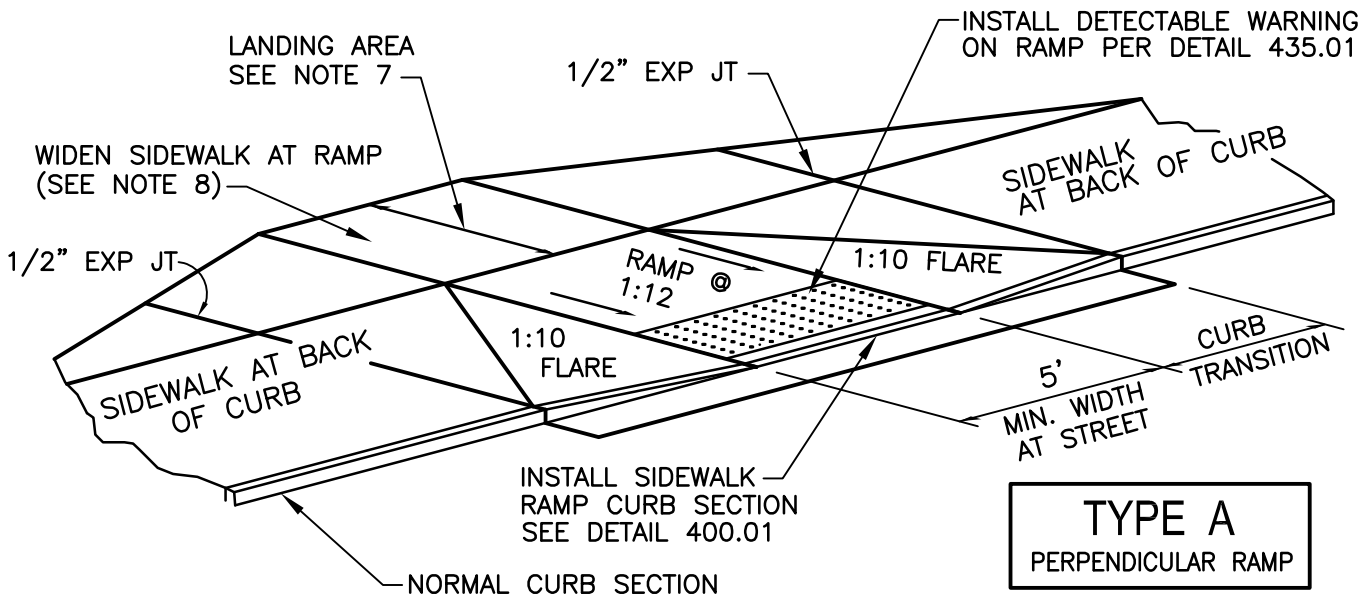
S/W = SIDEWALK CROSS 1.5% ± 0.5% (2.0% MAXIMUM)

	07/01/20
Approved	Date
Revisions	

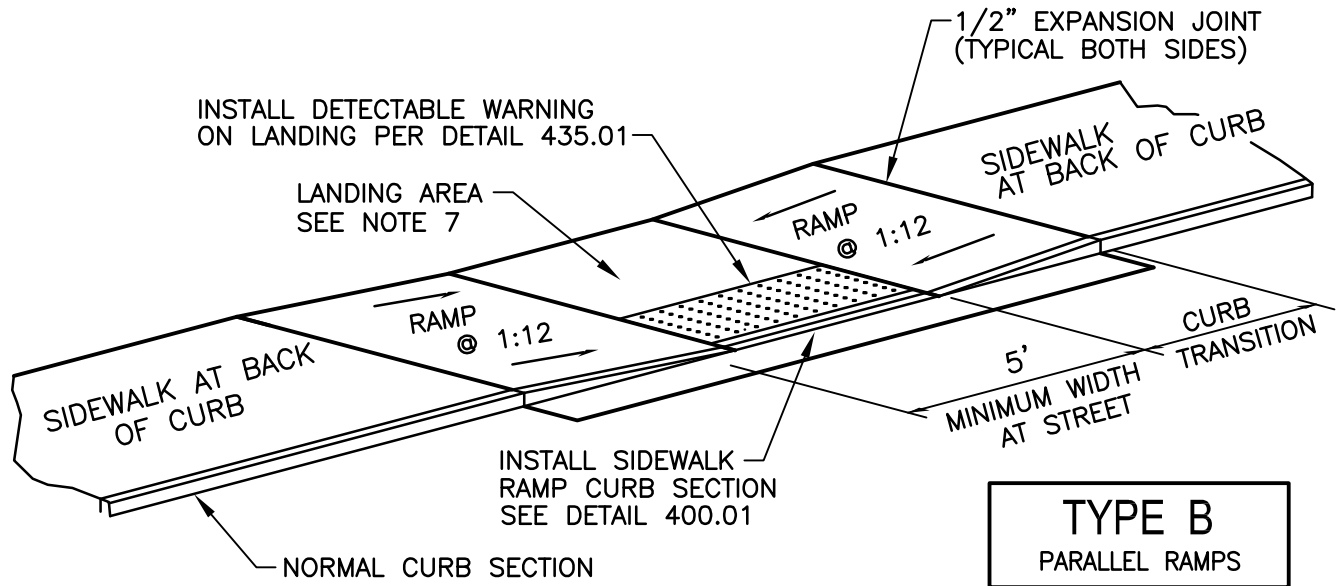


SIDEWALK RAMP PLAN VIEW
 Sidewalk at Back of Curb
 (Type A & B)

432.03




TYPE A
PERPENDICULAR RAMP



TYPE B
PARALLEL RAMPS

NOTE:

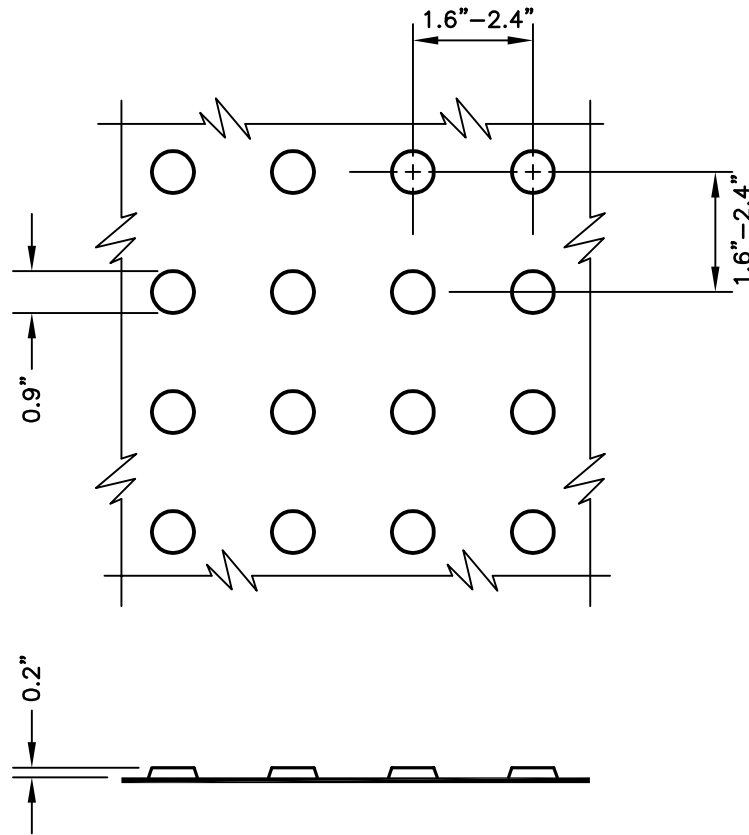
1. RAMP SHALL BE 4" THICK REINFORCED MoDOT PAVEMENT CONCRETE SAME AS SIDEWALK.
2. EXPANSION JOINT SHALL BE 1/2" PREFORMED CORK OR BITUMINOUS EXPANSION JOINT MATERIAL.
3. MAXIMUM RAMP CROSS SLOPE IS 2.00%.
4. ALL SLOPES ARE MEASURED FROM THE HORIZONTAL.
5. REPLACE STANDARD CURB SECTION WITH SIDEWALK RAMP CURB SECTION - DETAIL 400.01
6. RAMP LENGTH IS DEPENDENT ON 1:12 MAX. SLOPE. USE FLATTER WHEN POSSIBLE.
7. LANDING AREA SHALL BE 4'-0" MIN. WIDTH. SLOPE OF LANDING SHALL BE 1.5% ± 0.5% (2.0% MAXIMUM ANY DIRECTION)
8. TYPE "A" RAMP NOT APPLICABLE WHEN NORMAL SIDEWALK WIDTH DOES NOT PROVIDE 4'-0" LANDING AT THE TOP OF RAMP, WIDEN SIDEWALK OR USE TYPE "B" RAMP.
9. 1:10 FLARES ARE REQUIRED ON TYPE "A" RAMPS.

 Approved	07/01/20 Date
Revisions	




MIDBLOCK SIDEWALK RAMP
Sidewalk at Back of Curb

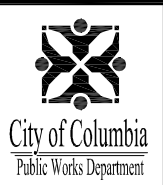
433.01



NOTE:

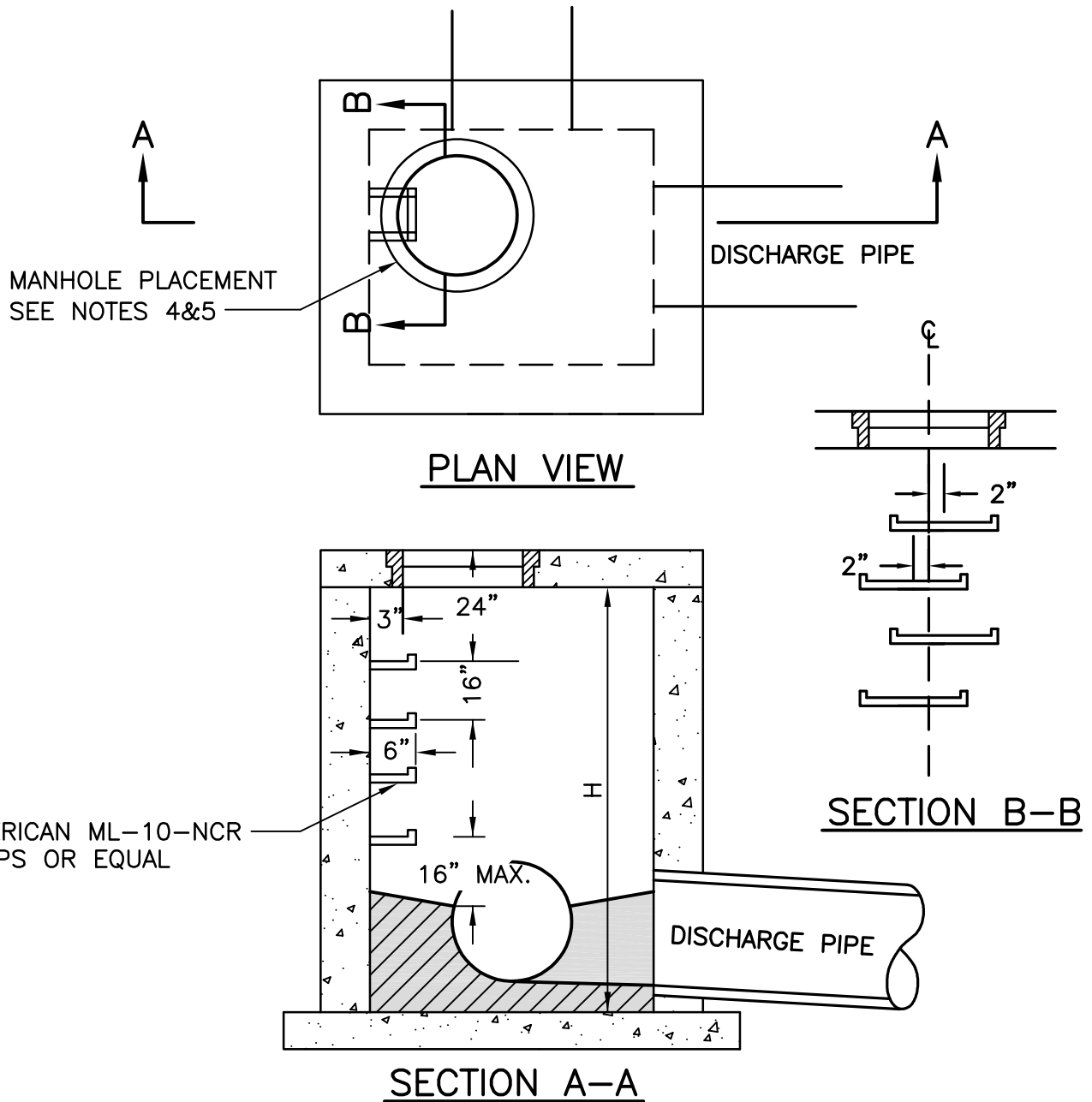
1. DETECTABLE WARNING SHALL CONSIST OF RAISED TRUNCATED DOMES WITH A DIAMETER OF 0.9", A HEIGHT OF NOMINAL 0.2", AND A CENTER-TO-CENTER SPACING OF NOMINAL 2.35", AND SHALL CONTRAST VISUALLY WITH ADJOINING SURFACES, ACHIEVED BY THE INSTALLATION OF ADA SOLUTIONS 2436 REPBR, 2448 REPBR, OR 2460 REPBR (OR APPROVED EQUAL) AND SHALL BE AN INTEGRAL PART OF THE WALKING SURFACE.
2. ADA SOLUTIONS 24RADREPBR OR APPROVED EQUAL TO BE USED WITH DETAIL 430.02, 432.02, AND 1000.08.
3. STAMPED CONCRETE IS NOT AN APPROVED EQUAL.
4. DOWNTOWN DETECTABLE WARNINGS MAY BE ADA 2004 COMPLIANT DETECTABLE WARNING PAVERS.
5. DETECTABLE WARNING PLATES ARE TO BE COLONIAL OR BRICK RED IN COLOR OR APPROVED EQUAL.
6. DETECTABLE WARNING SURFACES SHALL BE 24" WIDE AND EXTEND THE FULL LENGTH OF THE PUBLIC USE AREA.

 Approved	10/01/16 Date
Revisions	




DETECTABLE WARNING

435.01



NOTES:

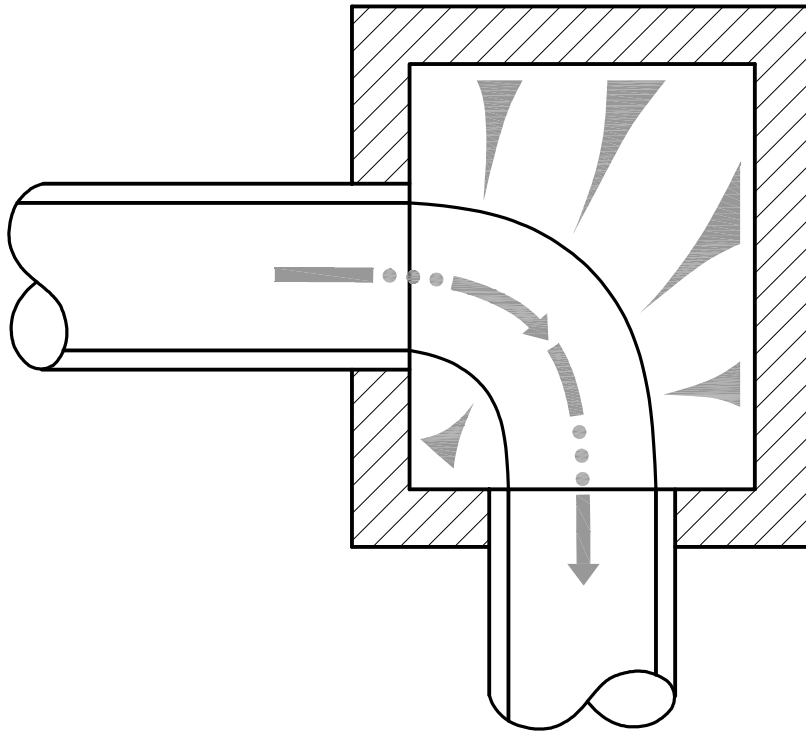
1. STEPS NOT REQUIRED WHERE H IS LESS THAN 4'.
2. STEPS SHALL BE ML-10-NCR OR EQUAL
3. STEPS SHALL BE PLACED ON VACANT WALL WHEN POSSIBLE
4. MANHOLE RING SHALL BE OFFSET TOWARD WALL WITH STEPS.
5. MANHOLE RING SHALL BE CENTERED ON CENTERLINE OF STEPS
6. STAGGER STEPS 2" EACH WAY FROM CENTERLINE OF MANHOLE RING.
7. TOP STEP 24" BELOW TOP OF SLAB
8. STEP SPACING TO BE 16", BOTTOM STEP TO BE NO HIGHER THAN 16" FROM INVERT.

 Approved	07/01/20 Date
	Revisions

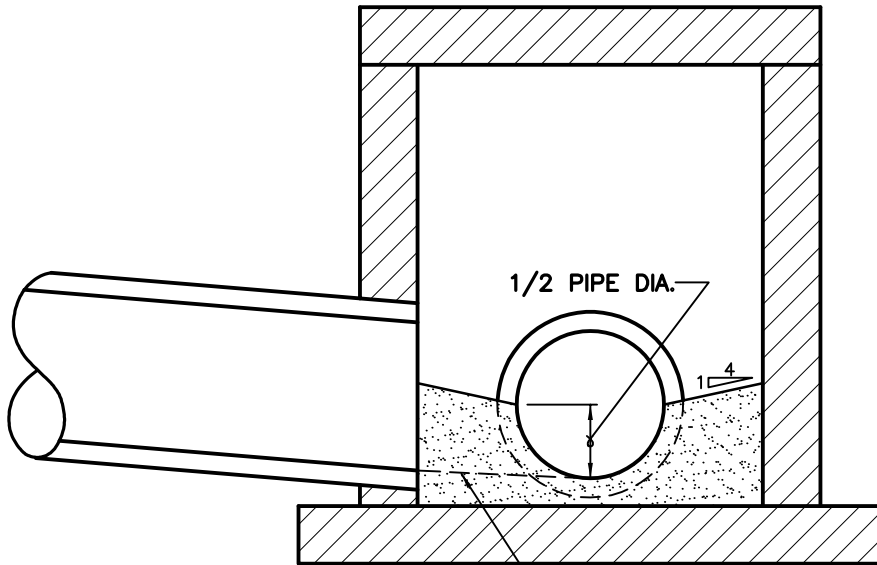


DRAINAGE STRUCTURE STEPS

500.01



PLAN




INVERT ∇ MIN. 2% SLOPE

SECTION

NOTES:

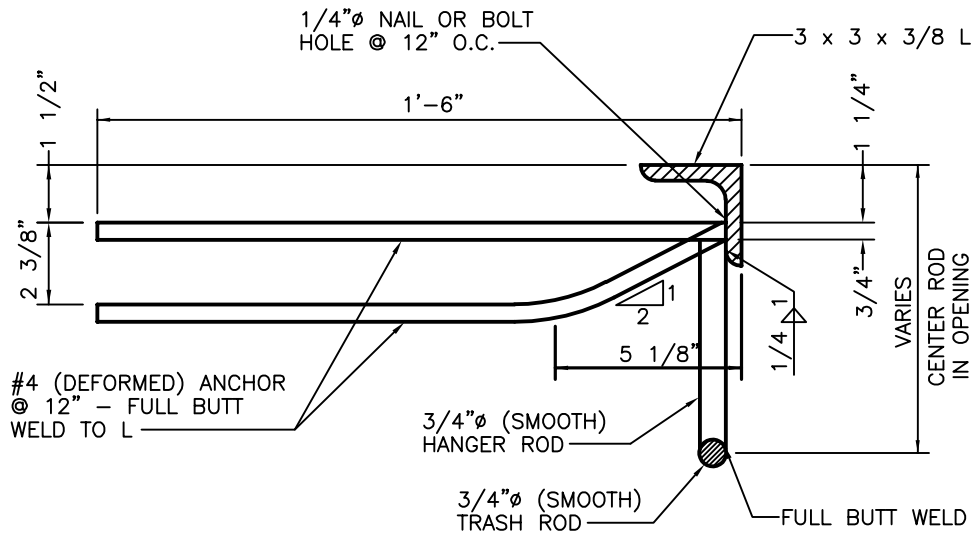
1. FORM ALL INVERTS FOR SMOOTH FLOW THRU STRUCTURE.
2. INVERT SHALL BE FORMED UP TO 1/2 THE PIPE DIAMETER.
3. INVERT SHALL CONFORM TO SECTION 250 CONCRETE.

 Approved	07/01/20 Date
Revisions	

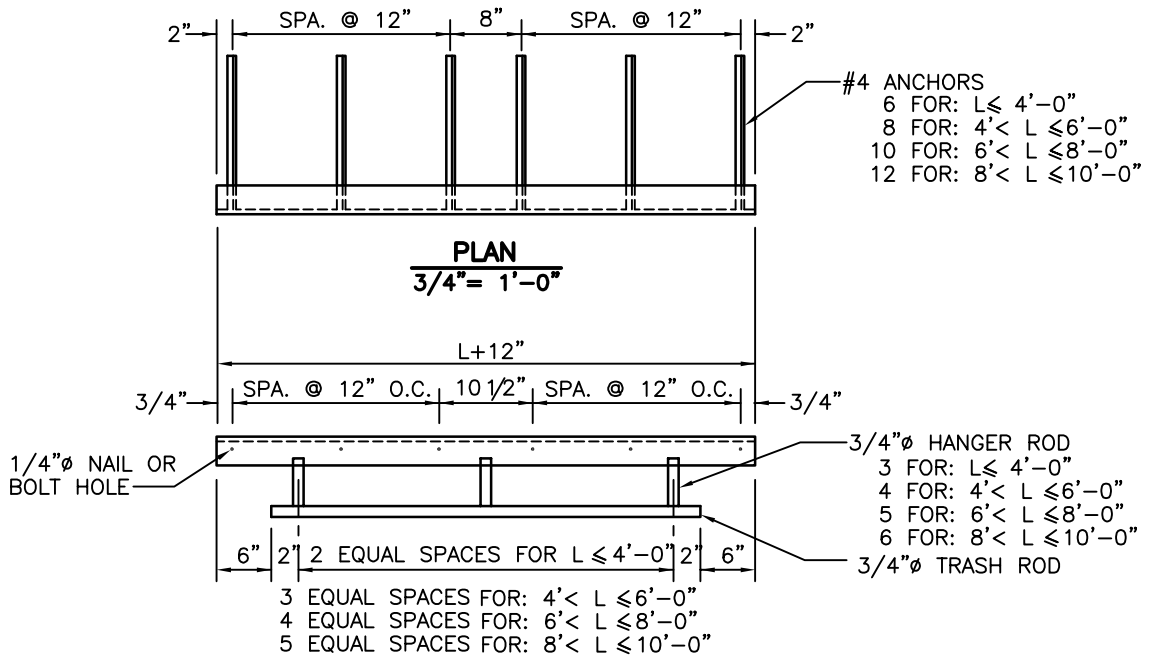


**DRAINAGE STRUCTURE
INVERT**

500.02




SECTION



FRONT ELEV.

NOTES:

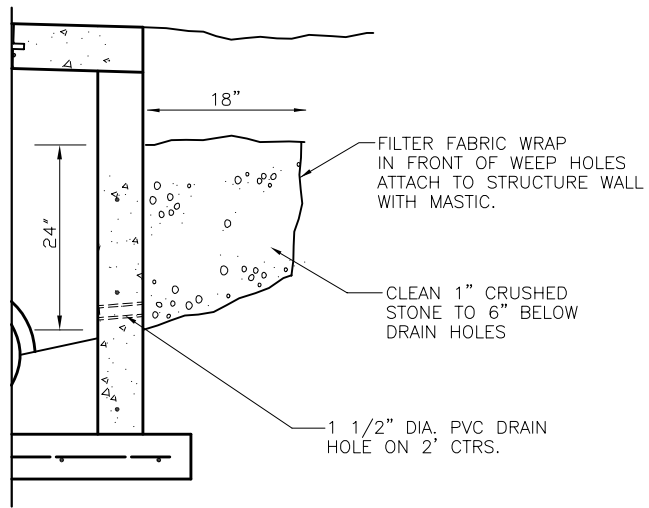
1. STRUCTURAL STEEL SHALL BE GRADE A-36
2. EXPOSED STEEL SURFACES TO BE FINISHED SMOOTH.
3. HOT DIP GALVANIZE ASSEMBLY. CHIPPING NOT REQUIRED ON ANCHOR WELDS.
4. NAILS OR BOLTS USED TO ANCHOR ANGLE ASSEMBLY TO FORM SHALL BE REMOVED OR CUT OFF FLUSH WITH SURFACE OF ANGLE. DO NOT MAR GALVANIZING.
5. DIMENSION "L" REPRESENTS THE INSIDE INLET DIMENSION.

 Approved	07/01/20 Date
Revisions	

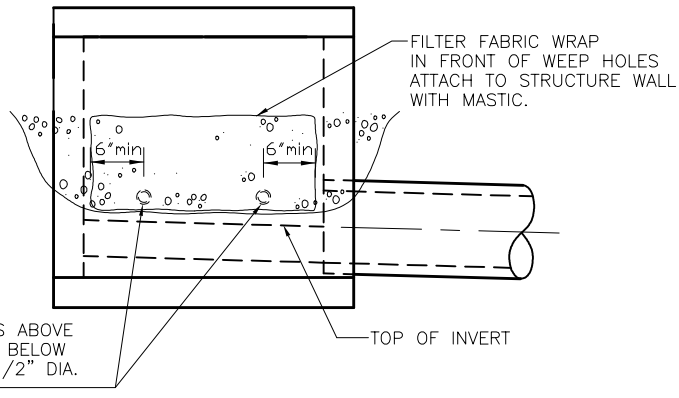


**INLET OPENING
TRASH RACK**

500.03



PARTIAL SECTION



FRONT ELEVATION

NOTE:

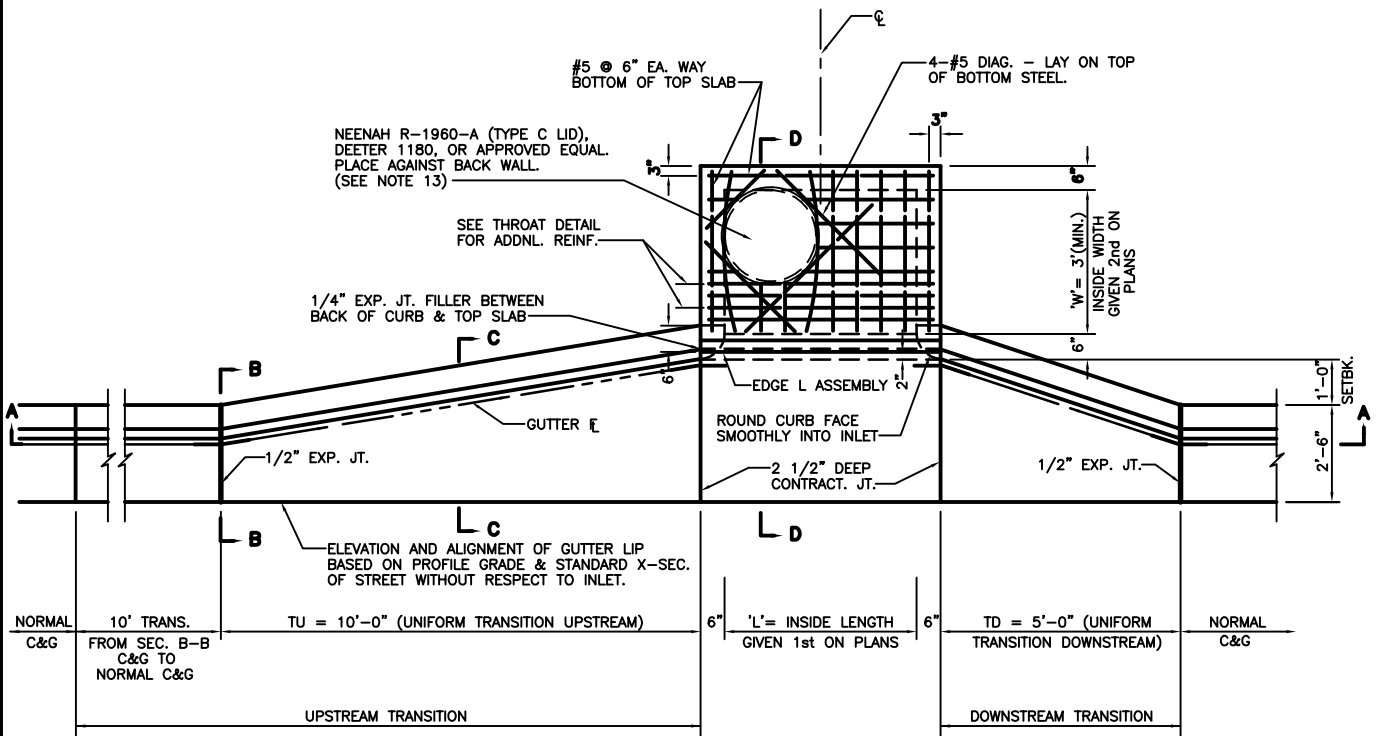
1. PLACE WEEP HOLES ON UPSTREAM FACE OF ALL STRUCTURES AND ON ROADWAY FACE OF CURB INLET STRUCTURES.
2. WEEP HOLE FILTER FABRIC SHALL CONSIST OF A NON-WOVEN, POLYPROPYLENE TYPE FABRIC SUCH AS: AMOCO 4553 NON-WOVEN GEOTEXTILE FABRIC OR APPROVED EQUAL.

<i>PKS</i> Approved	07/01/20 Date
Revisions	



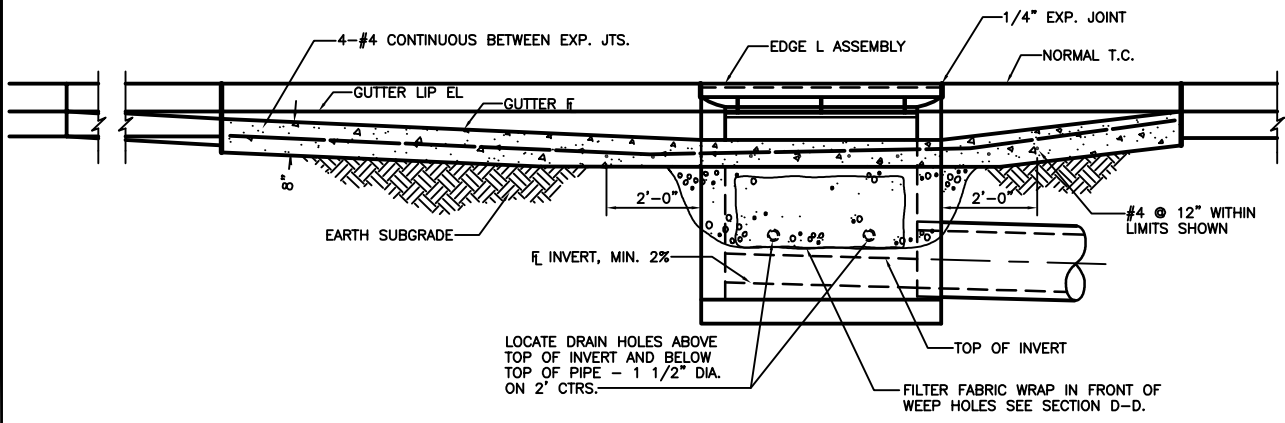
**DRAINAGE STRUCTURE
WEEP HOLES**

500.04

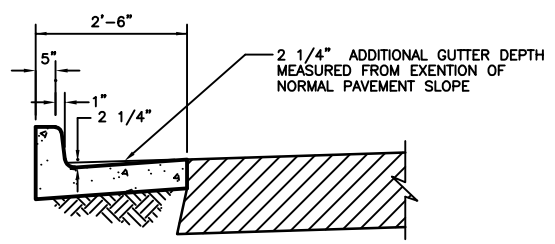


NOTE: INLET ON GRADE SHOWN. FOR INLET AT SUMP, USE UP STREAM TRANSITION ON BOTH SIDES OF INLET.

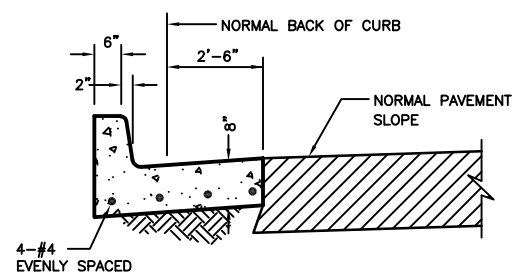
PLAN




SECTION A-A



SECTION B-B



SECTION C-C

 Approved	07/01/20 Date
	Revisions



TYPE M INLET
(Plan & Sections)

505.01A

TYPE M INLET NOTES

1. CONCRETE SHALL CONFORM TO SECTION 250.
2. REINFORCING STEEL SHALL BE GRADE 60
3. THIS DESIGN IS FOR L = 4'-0", 6'-0", 8'-0", OR 10'-0".
4. INLET WILL BE CALLED OUT ON PLANS AS 'L'x'W' STD. CURB INLET, OR 'L'x'W' DEFLECTOR CURB INLET. DIMENSIONS 'L'&'W' GIVEN ON PLANS AS 'L'x'W'.
5. STA AND OFFSET OR COORDINATES SHOWN ON PLAN ARE GIVEN TO CENTER OF INLET WALLS.
6. THE ELEVATION OF THE TOP OF INLET GIVEN ON THE PLAN SHEET IS AT THE CENTER OF THE FRONT EDGE OF THE EDGE ANGLE ASSEMBLY. SLOPE THE TOP TO MATCH STREET GRADE, AND CROSS SLOPE OF RIGHT OF WAY.
7. DIMENSIONS TU AND TD AS SHOWN EXCEPT WHERE NOTED OTHERWISE IN PLANS.
8. TRANSITIONS ALONG LENGTH TU & TD MUST BE UNIFORM BETWEEN STANDARD CURB & GUTTER CROSS SECTION & THAT SHOWN AT INLET. FORM CURB FACE WITH FLEXIBLE FORM.
9. REINFORCEMENT:
 - (A) BEND AROUND MH RING WHEREVER FEASIBLE. (SEE PLAN)
 - (B) MINIMUM 2" COVER REQUIRED UNLESS NOTED OTHERWISE.
10. BROOM FINISH TOP SLAB.
11. HORIZONTAL PROJECTION OF PIPE CENTERLINE SHALL INTERSECT AT THE CENTER OF INLET, UNLESS OTHERWISE SHOWN.
12. TRIM PIPE FLUSH WITH INSIDE WALLS.
13. STEPS, FRAME, AND LID:

STEPS NOT REQUIRED WHERE H IS LESS THAN 4'.

STEPS SHALL BE ML-10-NCR OR EQUAL

STEPS SHALL BE PLACED ON VACANT WALL WHEN POSSIBLE


MANHOLE RING SHALL BE OFFSET TOWARD WALL WITH STEPS.

MANHOLE RING SHALL BE CENTERED ON CENTERLINE OF STEPS

STAGGER STEPS 2" EACH WAY FROM CENTERLINE OF MANHOLE RING.

TOP STEP 24" BELOW TOP OF SLAB

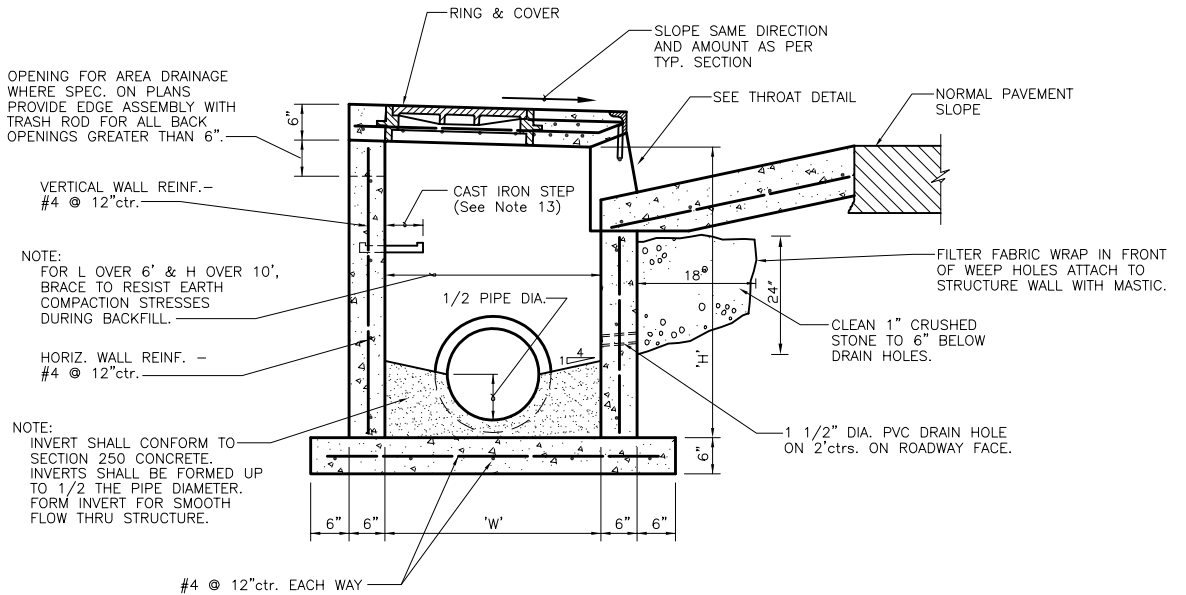
STEP SPACING TO BE 16", BOTTOM STEP TO BE NO HIGHER THAN 16" FROM INVERT.
14. CONCRETE INVERT SHALL BE FORMED UP TO 1/2 THE PIPE DIAMETER.
15. WEEP HOLE FILTER FABRIC SHALL CONSIST OF A NON-WOVEN, POLYPROPYLENE TYPE FABRIC SUCH AS PROPEX GEOTEX 801 NON-WOVEN GEOTEXTILE FABRIC OR APPROVED EQUAL.
16. DRIVEWAYS ARE TO BE AT LEAST 5' FROM END OF CURB TRANSITION (TU AND TD).

 Approved	07/01/20 Date
Revisions	



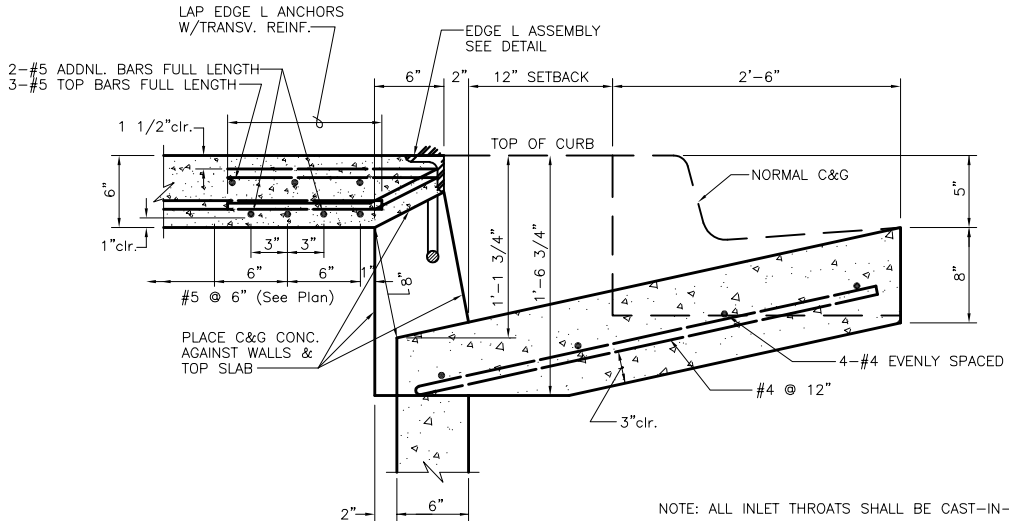
TYPE M INLET
NOTES

505.01B



SECTION D-D

NOTE: PLACE WEEP HOLES ON UPSTREAM FACE AND ON ROADWAY FACE. SEE DETAIL 500.04



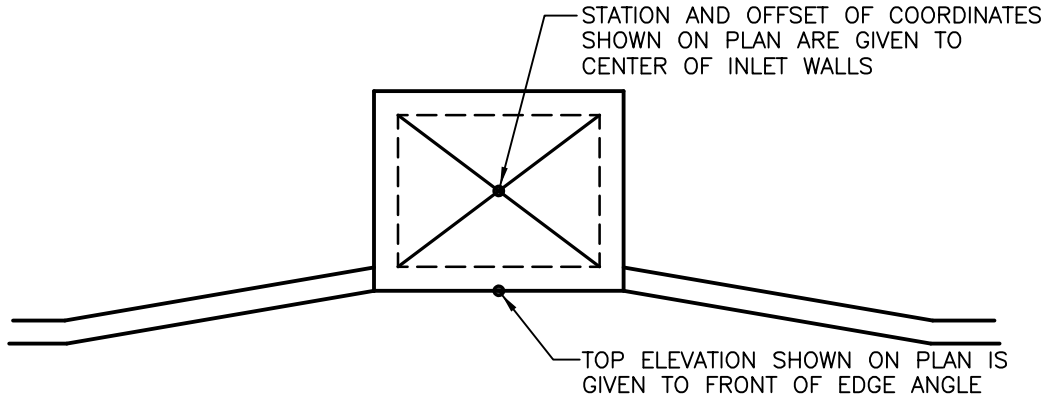
THROAT DETAIL

<i>PAS</i> Approved	07/01/20 Date
Revisions	

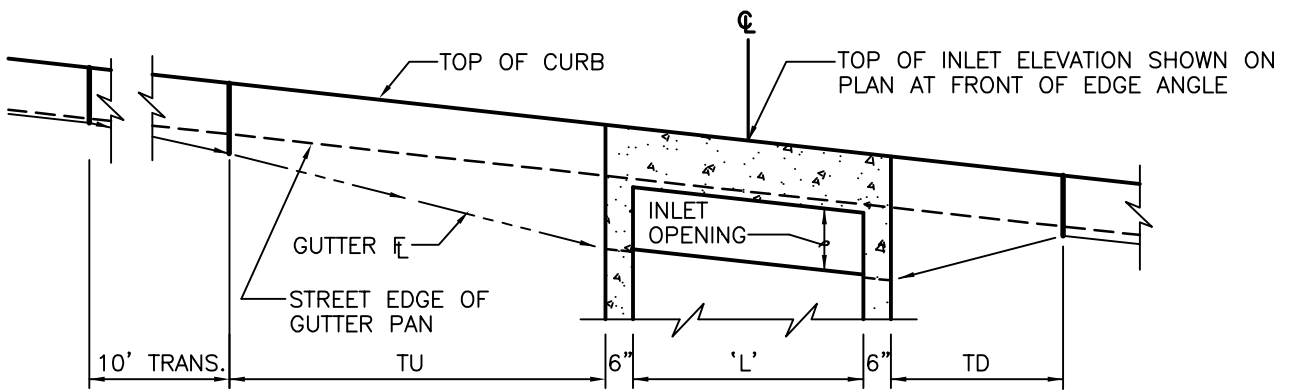


**TYPE M INLET
SECTION AND DETAIL**

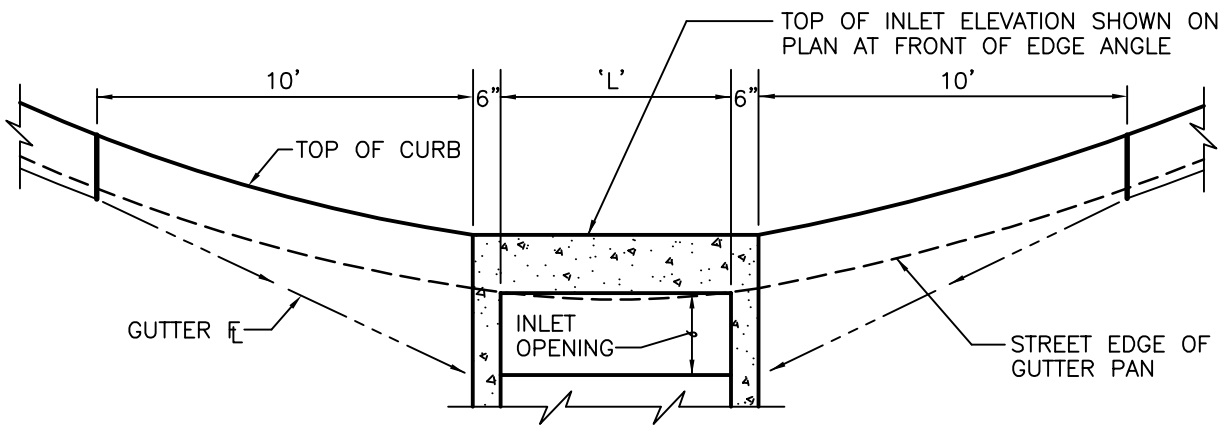
505.01C



INLET PLAN INFORMATION



ON SLOPE



AT LOW POINT

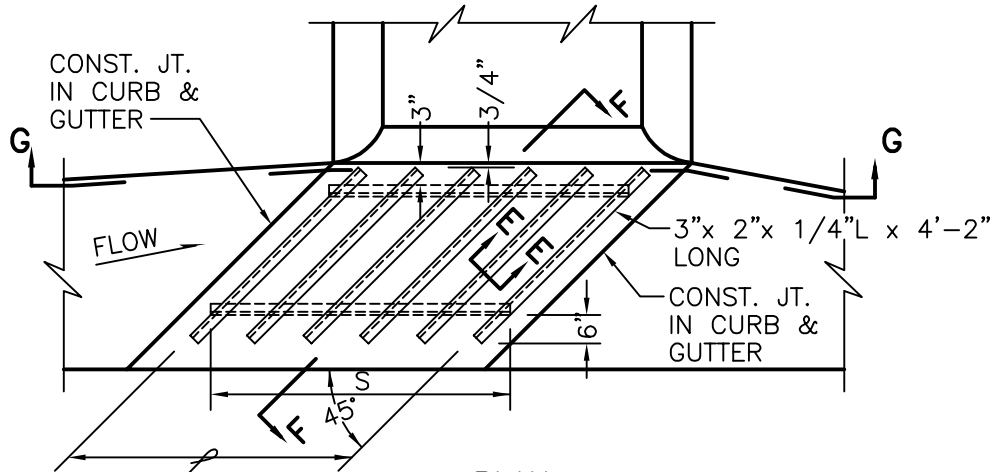
INLET SETTING DIAGRAMS

<i>PKS</i> Approved	07/01/20 Date
Revisions	



**TYPE M INLET
SETTING DIAGRAM**

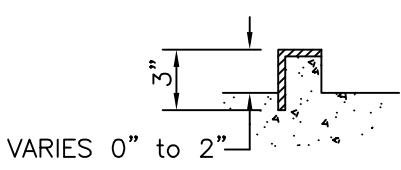
505.01D



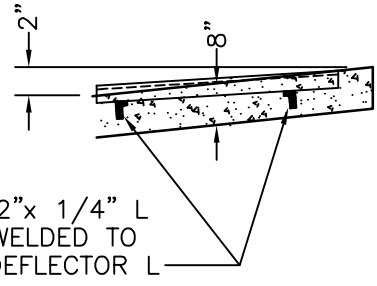
PLAN

DEFLECTORS TO BE EQUALLY SPACED

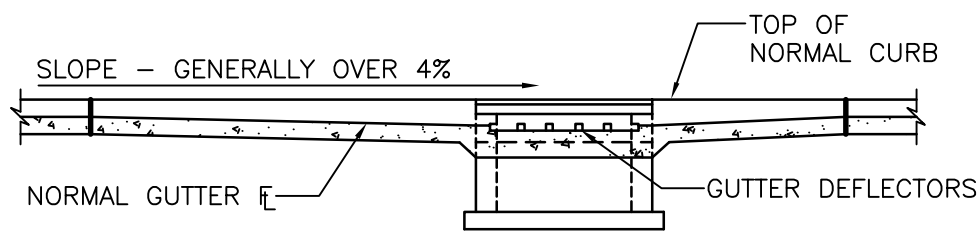
{	FOR L=4'; 6 DEFLECTORS-S=4'-6"
	FOR L=6'; 8 DEFLECTORS-S=6'-6"
	FOR L=8'; 11 DEFLECTORS-S=8'-6"
	FOR L=10'; 13 DEFLECTORS-S=10'-6"



SECTION E-E



SECTION F-F



SECTION G-G

GUTTER DEFLECTOR NOTES:

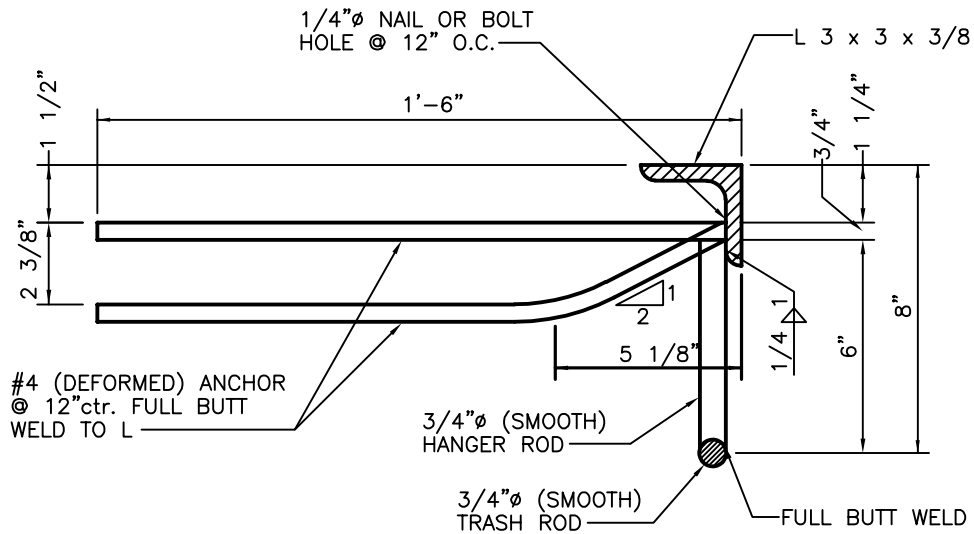
1. ASSEMBLY TO BE HOT DIP GALVANIZED.
2. TO BE USED WHERE DEFLECTOR CURB INLET IS SPECIFIED
3. BEFORE PLACING CONCRETE; SUPPORT UNIT SECURELY IN FINAL POSITION BY ATTACHING TO METAL RODS DRIVEN INTO SUBGRADE

<i>PKS</i> Approved	07/01/20 Date
Revisions	

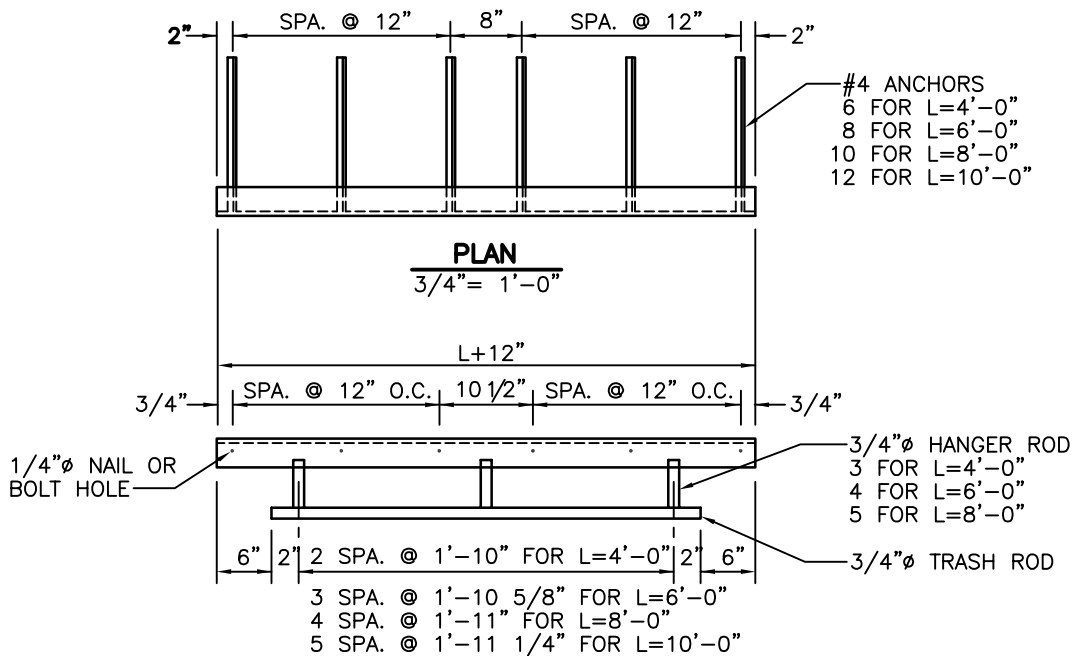


**TYPE M INLET
DEFLECTOR DETAIL**

505.01E




SECTION



FRONT ELEV.

NOTES:

1. STRUCTURAL STEEL SHALL BE GRADE A-36
2. EXPOSED STEEL SURFACES TO BE FINISHED SMOOTH.
3. HOT DIP GALVANIZE ASSEMBLY, EXCEPT THAT GALV. NOT REQUIRED ON DEFORMED ANCHORS. CHIPPING NOT REQUIRED ON ANCHOR WELDS.
4. NAILS OR BOLTS USED TO ANCHOR ANGLE ASSEMBLY TO FORM SHALL BE REMOVED OR CUT OFF FLUSH WITH SURFACE OF ANGLE.
5. DIMENSION "L" REPRESENTS THE INSIDE INLET DIMENSION.

 Approved	07/01/20 Date
	Revisions

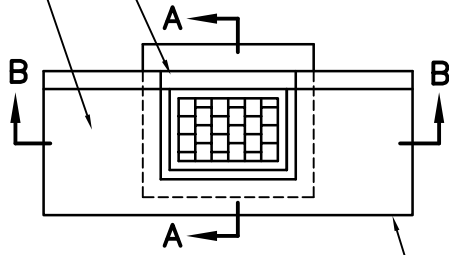


**TYPE M INLET
EDGE ANGLE ASSEMBLY**

505.01F

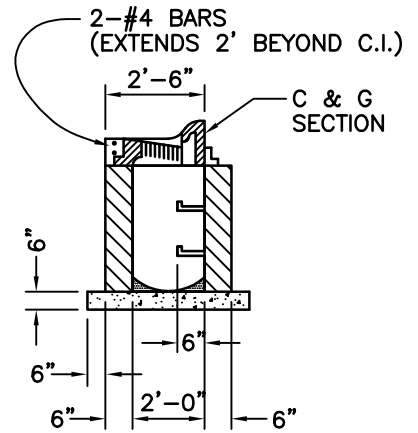
DEPRESSED GUTTER SECTION,
TRANSITION 5 FT FROM INLET

C.I. FRAME & GRATE NEENAH R-3246
WITH TYPE L GRATE OR APPROVED EQUAL

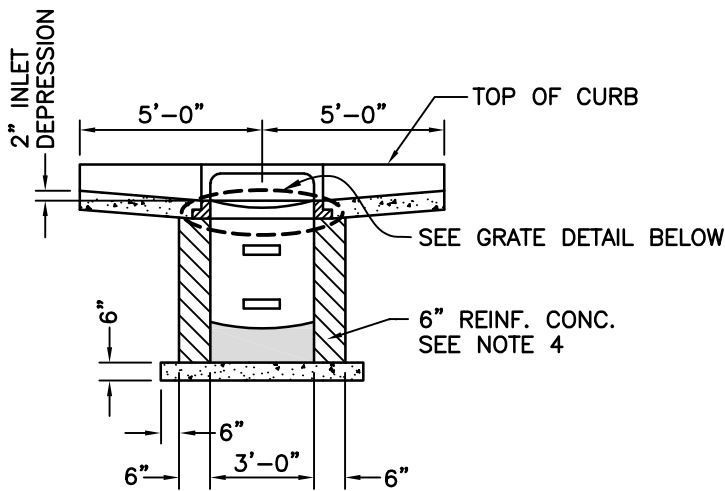


USE TYPE 'A' EXPANSION
JOINT IF PAVEMENT IS P.C.C.

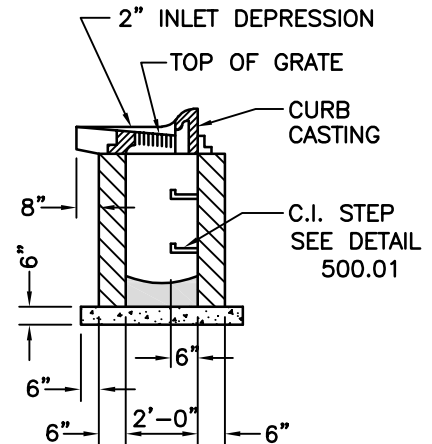
PLAN - SINGLE



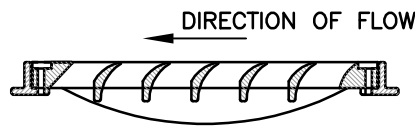
**SECTION A-A
ALTERNATE**



SECTION B-B



SECTION A-A



GRATE DETAIL

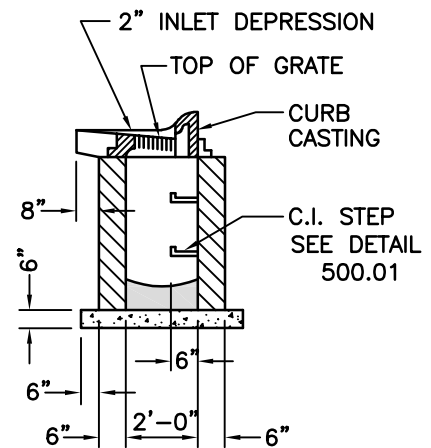
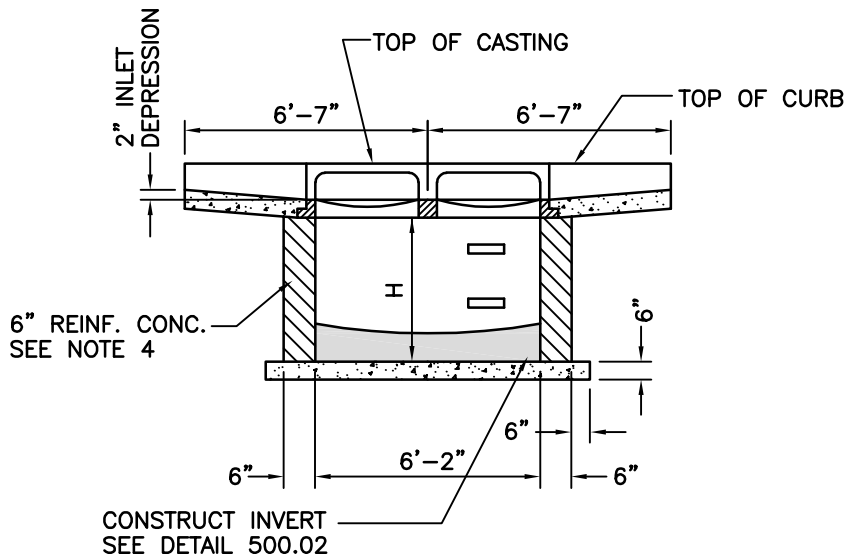
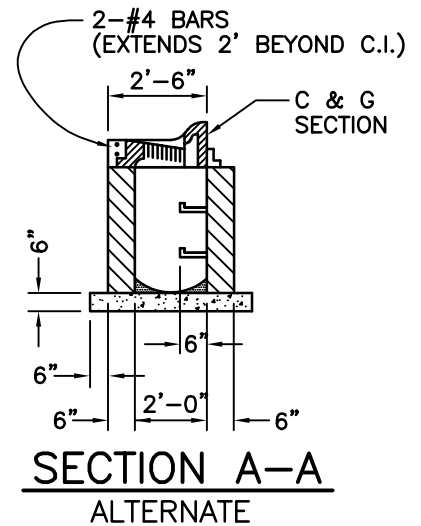
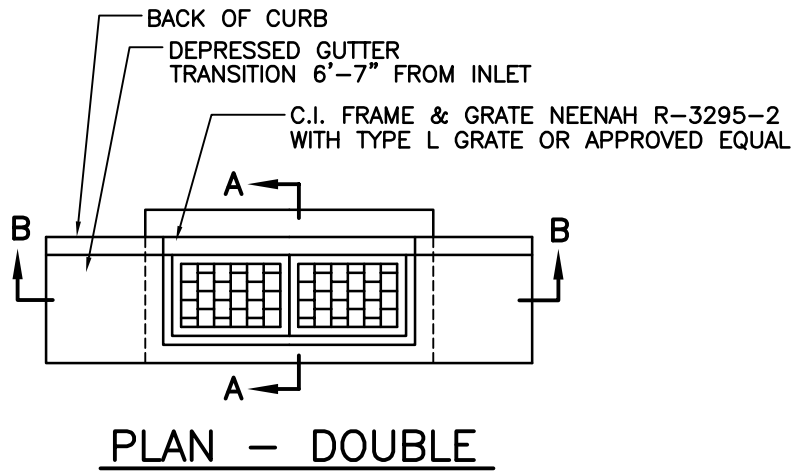
- NOTES:
1. CONCRETE SHALL CONFORM TO SECTION 250
 2. REINFORCING STEEL SHALL BE GRADE 60
 3. INSTALL WEEP HOLES AS PER DETAIL 500.04
 4. USE #4 BARS AT 12" CTRS, BOTH WAYS AND #4 BARS DIAGONAL AT PIPE OPENINGS
 5. SEE DETAIL 310.01 FOR TYPICAL CURB AND GUTTER SECTION

<i>JAS</i> Approved	07/01/20 Date
	Revisions



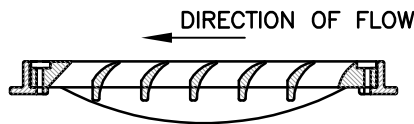
SINGLE TYPE "A" INLET

505.02A



SECTION B-B

SECTION A-A



GRATE DETAIL

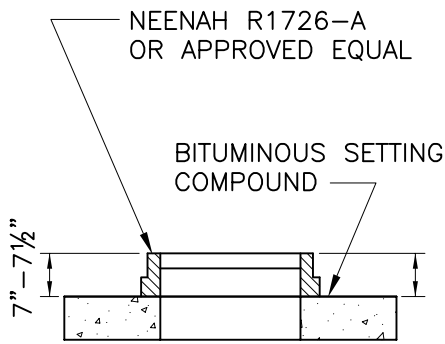
- NOTES:
1. CONCRETE SHALL CONFORM TO SECTION 250
 2. REINFORCING STEEL SHALL BE GRADE 60
 3. INSTALL WEEP HOLES AS PER DETAIL 500.04
 4. USE #4 BARS AT 12" CTRS, BOTH WAYS AND #4 BARS DIAGONAL AT PIPE OPENINGS
 5. SEE DETAIL 310.01 FOR TYPICAL CURB AND GUTTER SECTION

Approved	07/01/20
	Date
Revisions	



DOUBLE TYPE "A" INLET

505.02B



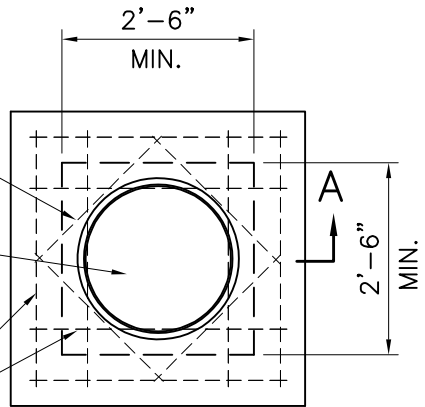
ALTERNATE TOP

(MUST BE USED UNDER PAVEMENTS ONLY)

#4 BARS DIAG.

MANHOLE FRAME
AND LID PER
NOTE 5.

#4 BARS @ 8"
O.C. BOTH WAYS



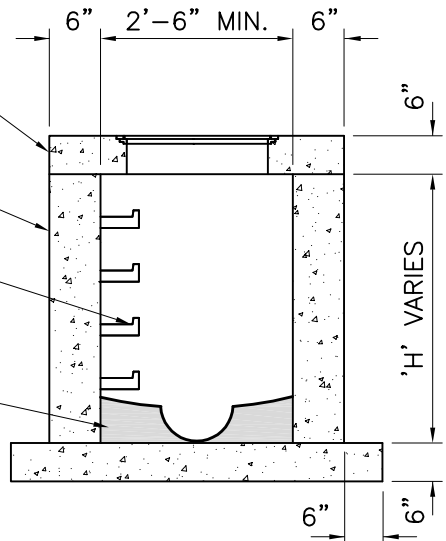
PLAN VIEW

REINF. CONCRETE TOP

6" REINF. CONC.
SEE NOTE 4

CAST IRON STEPS
SEE DETAIL 500.01

CONSTRUCT INVERT
SEE DETAIL 500.02



SECTION A-A

(SHOWING STANDARD FLUSH TOP)

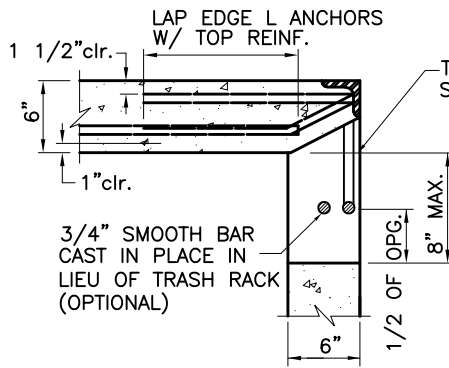
- NOTES:
1. CONCRETE SHALL CONFORM TO SECTION 250.
 2. REINFORCING STEEL SHALL BE GRADE 60
 3. INSTALL WEEP HOLES AS PER DETAIL 500.04
 4. USE #4 BARS AT 12" CTRS, BOTH WAYS AND #4 BARS DIAGONAL AT PIPE OPENINGS.
 5. FRAME AND LID SHALL BE NEENAH 4-1960-A (TYPE C LID) OR APPROVED EQUAL. SEE DETAIL 500.01 FOR PLACEMENT.

<i>PKS</i> Approved	07/01/20 Date
Revisions	

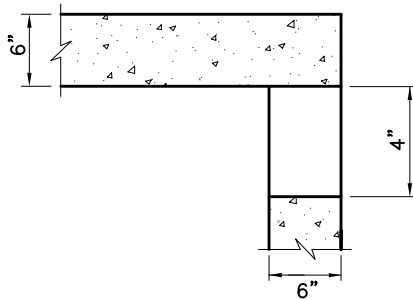


JUNCTION BOX

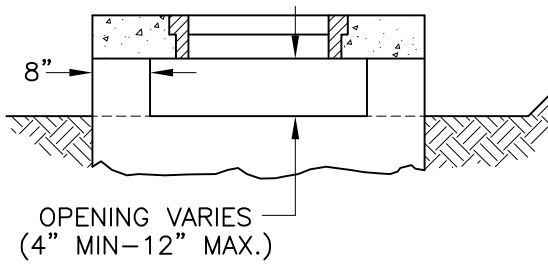
510.01



OPENINGS OVER 4"



OPENINGS OF 4"



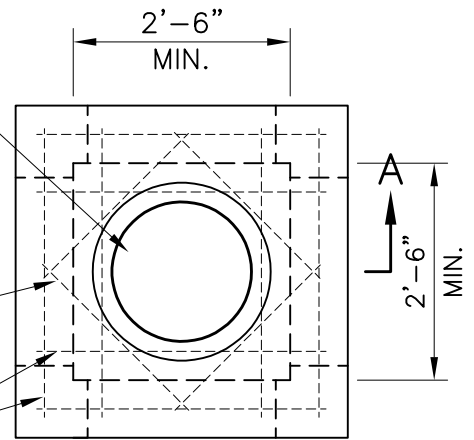
OPENING VARIES
(4" MIN-12" MAX.)

SIDE OPENING DETAIL

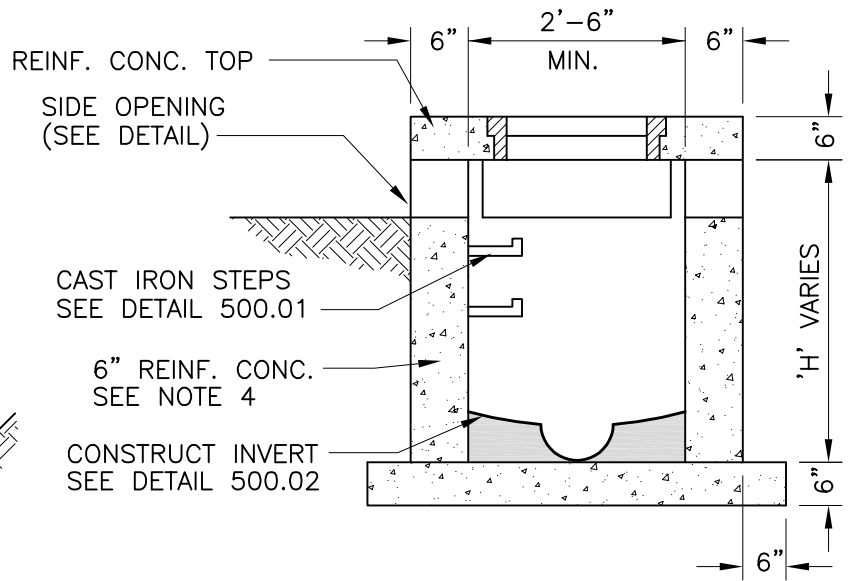
MANHOLE FRAME
AND LID PER
NOTE 5.

#4 BARS DIAG.

#4 BARS @ 8"
O.C. BOTH WAYS




PLAN VIEW



SECTION A-A

NOTES:

1. CONCRETE SHALL CONFORM TO SECTION 250.
2. REINFORCING STEEL SHALL BE GRADE 60
3. INSTALL WEEP HOLES AS PER DETAIL 500.04
4. USE #4 BARS AT 12" CTRS, BOTH WAYS AND #4 BARS DIAGONAL AT PIPE OPENINGS.
5. FRAME AND LID SHALL BE NEENAH R-1960-A (TYPE C LID), DEETER 1180, OR APPROVED EQUAL. SEE DETAIL 500.01 FOR PLACEMENT.
6. SIDE OPENINGS TO BE ON ALL FOUR SIDES UNLESS NOTED OTHERWISE
7. INSTALL TRASH RACK ON OPENINGS OVER 4" SEE DETAIL 500.03

 Approved	07/01/20 Date
	Revisions



SIDE OPENING INLET

510.02

FINISH EARTH SLOPE
AS REQUIRED

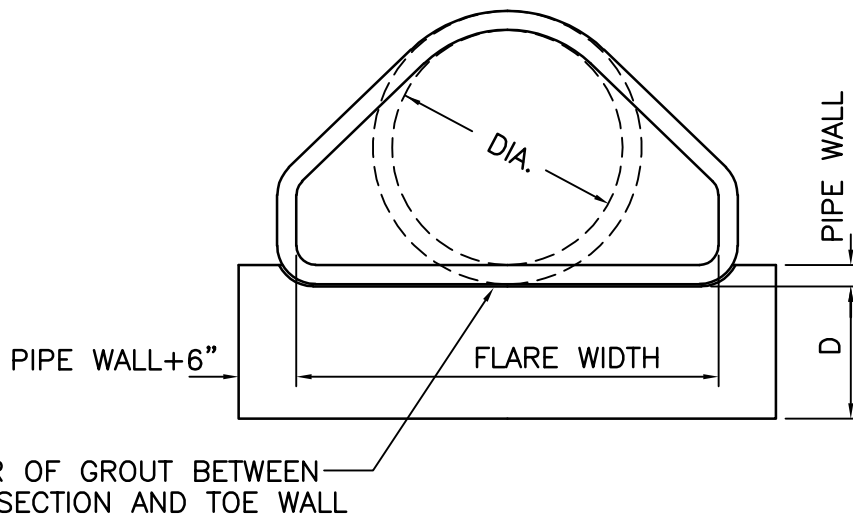
CULVERT

FLARED END SECTION

8"

D

SECTION VIEW




LAYER OF GROUT BETWEEN
END SECTION AND TOE WALL

END VIEW

NOTE:

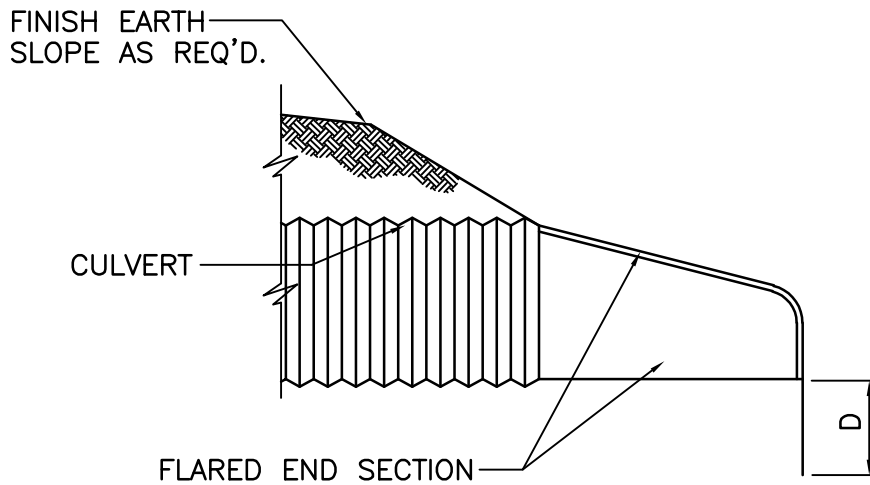
1. CONCRETE FOR TOE WALL SHALL CONFORM TO SECTION 250.
2. D=18" FOR PIPES WITH INSIDE DIAMETER 21" OR LESS.
3. D=24" FOR PIPES WITH INSIDE DIAMETER FROM 24" TO 48".
4. D=36" FOR PIPES WITH INSIDE DIAMETER 54" OR MORE.

 Approved	07/01/20 Date
Revisions	

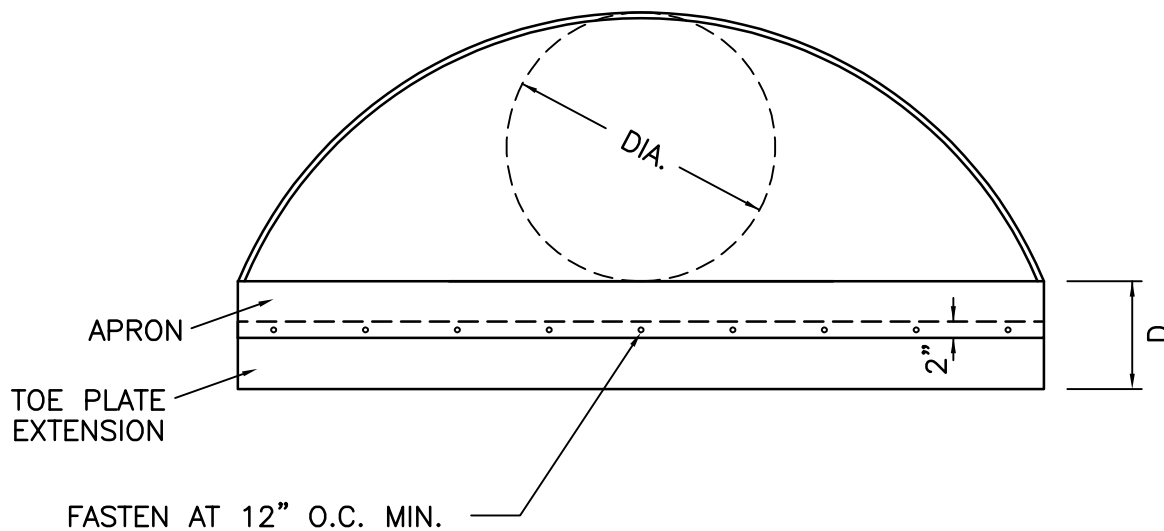


TOEWALL & END SECTION FOR RCP

525.01A



SECTION VIEW



END VIEW

NOTE:

1. D=12" FOR PIPES WITH INSIDE DIAMETER 24" OR LESS.
2. D=18" FOR PIPES WITH INSIDE DIAMETER 27" OR MORE.
3. EXTENSION PLATE SHALL BE SAME MATERIAL AS PIPE. THICKNESS SHALL BE EQUAL TO EQUIVALENT DIAMETER CMP GAUGE.
4. APRON AND TOE PLATE SHALL BE SECURELY FASTENED WITH SPOT WELDS, BOLTS, OR RIVETS.

<i>PAS</i> Approved	07/01/20 Date
Revisions	

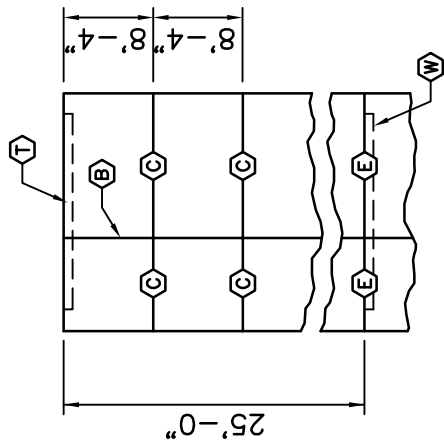


END SECTION
FOR HDPE AND CMP

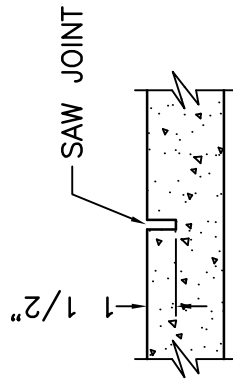
525.01B

LEGEND

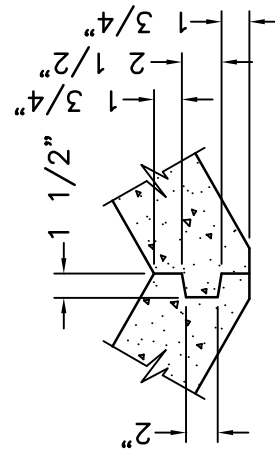
- (C) SAW JOINT, FILL WITH BITUMASTIC JOINT SEALANT - SEE DETAIL.
- (E) 1/2" EXPANSION JOINT AT 50' INTERVALS.
- (T) TOE WALL TO BE CONSTRUCTED AT INLET & OUTLET END OF PAVED DITCHES.
- (B) KEY JOINT (SEE DETAIL)
- (W) CUT-OFF WALL @ 25'-0" SPA.



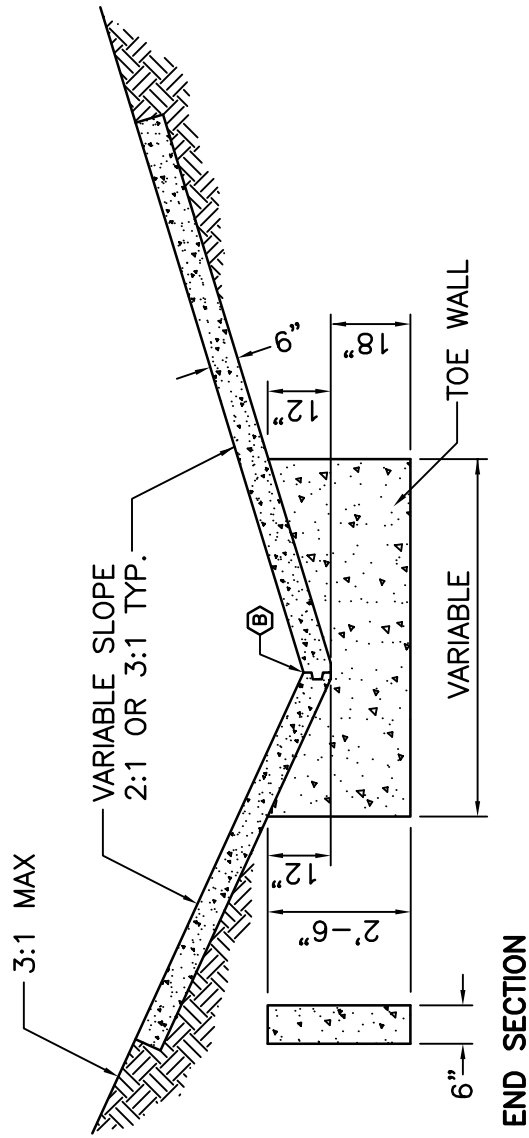
PLAN VIEW



C JOINT DETAIL




B JOINT DETAIL



END SECTION

SECTION THROUGH SWALE
SHOWING TOE WALL OR CUT-OFF WALL

NOTE:
CONCRETE SHALL CONFORM TO SECTION 250

	07/01/20
	Date
Revisions	

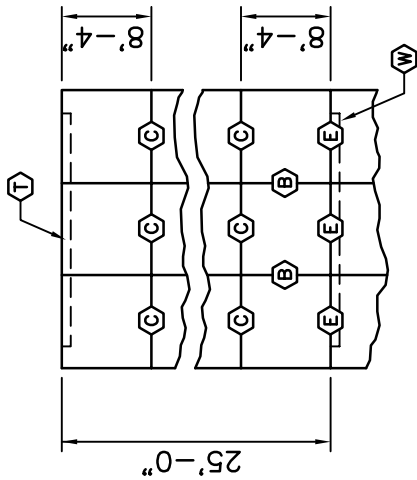


CONCRETE SWALE
(V-Type)

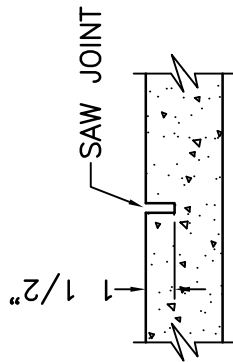
530.01

LEGEND

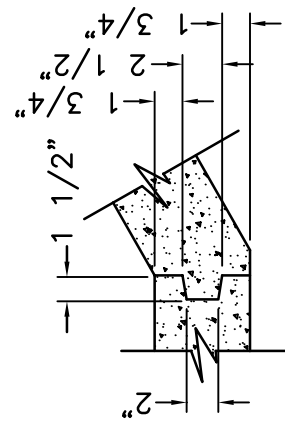
- (C) SAW JOINT, FILL WITH BITUMASTIC JOINT SEALANT – SEE DETAIL.
- (E) 1/2" EXPANSION JOINT AT 50' INTERVALS
- (B) KEY JOINT (SEE DETAIL)
- (T) TOE WALL TO BE CONSTRUCTED AT INLET & OUTLET END OF PAVED DITCHES.
- (W) CUT-OFF WALL @ 25'-0" SPA.



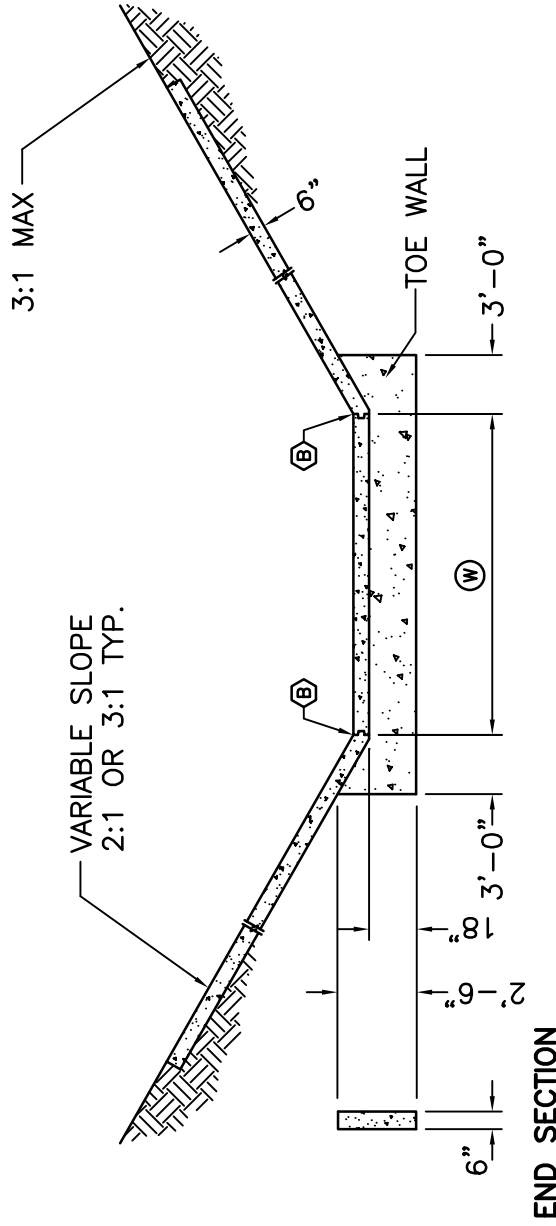
PLAN VIEW



JOINT DETAIL




B JOINT DETAIL



END SECTION

**SECTION THROUGH SWALE
SHOWING TOE WALL OR CUT-OFF WALL**

NOTE:
CONCRETE SHALL CONFORM TO SECTION 250

 Approved	07/01/20
	Date
Revisions	

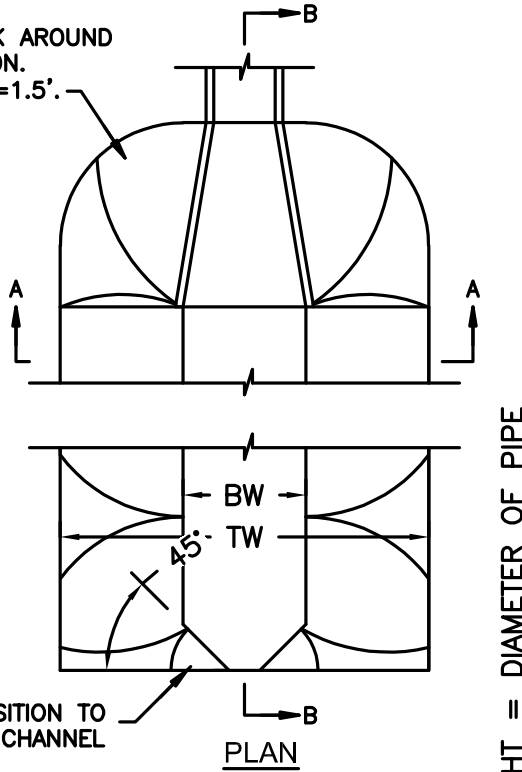


**CONCRETE SWALE
(Flat-Bottom Type)**

530.02

Pipe Size (in)	Maximum Pipe Slope (%)	Length L (ft)	Bottom Width BW Minimum (ft)	Top Width TW Minimum (ft)	Thickness T Minimum (ft)
12	3.50	12	4	8	2
15	2.60	15	4	9	2
18	2.00	16	4	10	2
24	1.70	20	4	12	2
30	1.40	24	6	16	2
36	1.00	28	6	18	2
42	0.80	32	6	20	3
48	0.65	36	6	22	3
54	0.55	40	8	26	3
60	0.45	44	8	28	3
72	0.40	48	8	32	3

WRAP ROCK AROUND END SECTION. THICKNESS=1.5'.

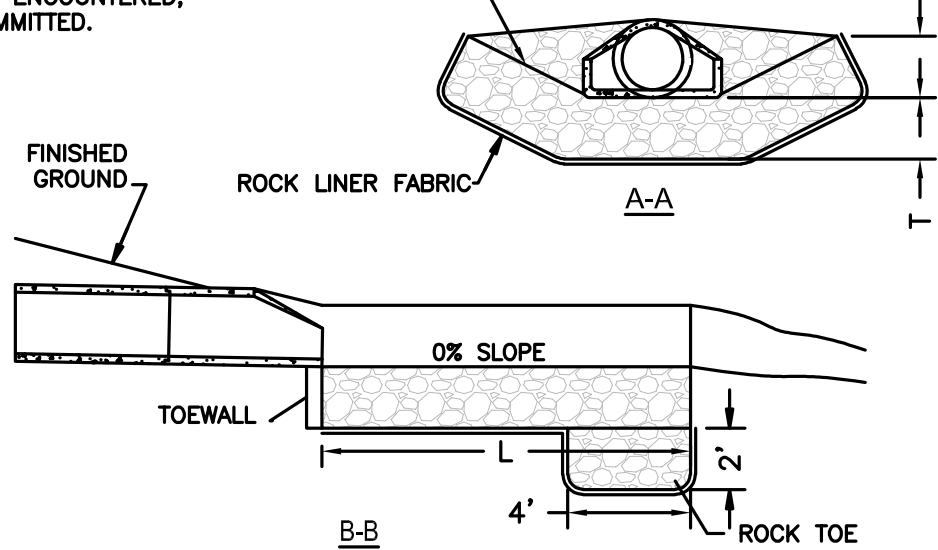


RIP RAP TO BE TYPE 1: ROCK MUST BE ANGULAR, HARD AND DURABLE.


ROCK LINER FABRIC SHALL BE PROPEX GEOTEX 801 OR APPROVED EQUAL. ALTERNATIVELY, AN 8 INCH BED OF WELL GRADED SAND AND GRAVEL WITH GRAVEL UP TO 3" IS ACCEPTABLE.

WHERE BEDROCK IS ENCOUNTERED, RIP RAP MAY BE OMITTED.

ALLOWABLE SIDE SLOPES 2:1-4:1



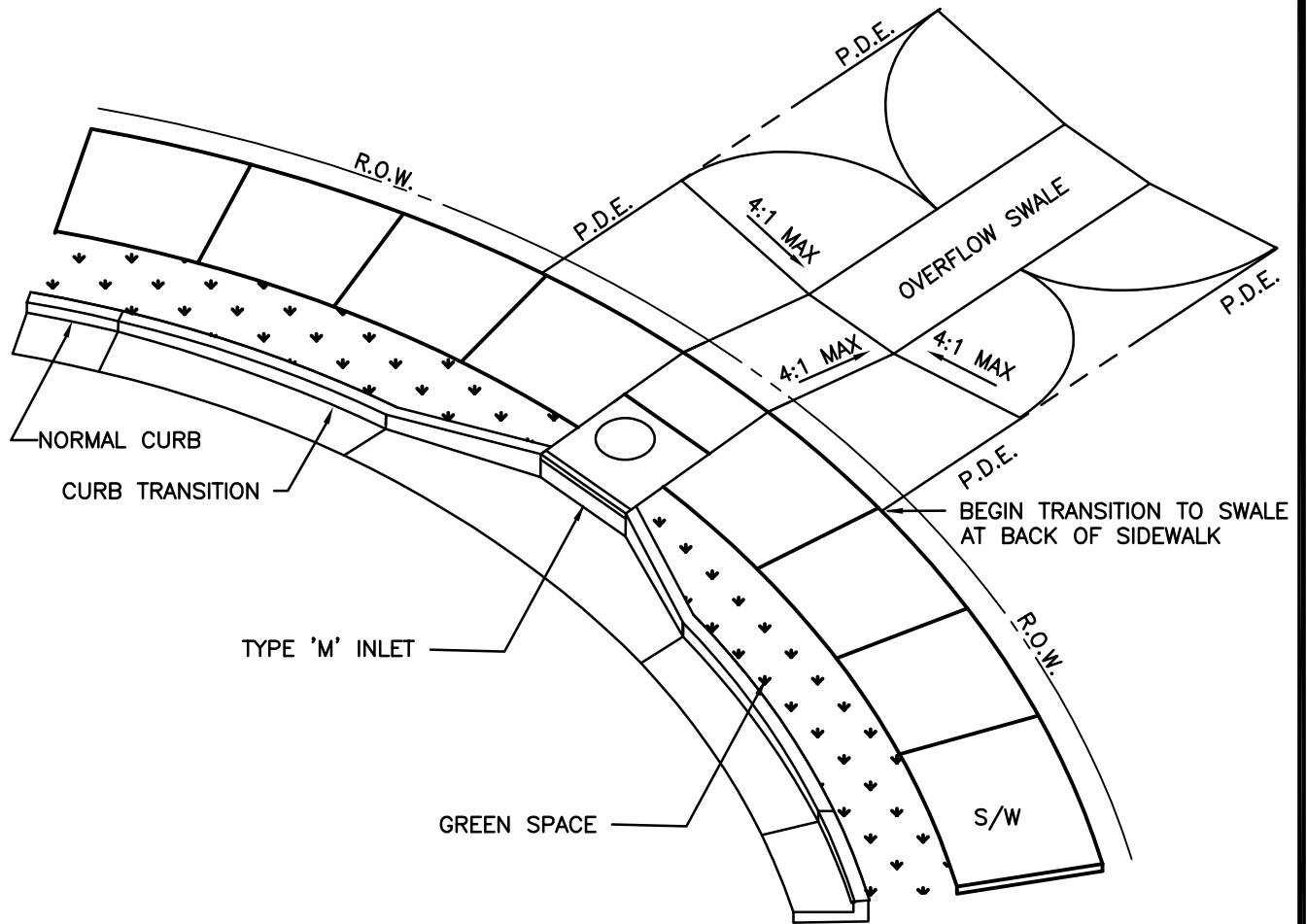
B-B

 Approved	07/01/20
	Date
Revisions	



RIP RAP WITH FILTER FABRIC

530.03

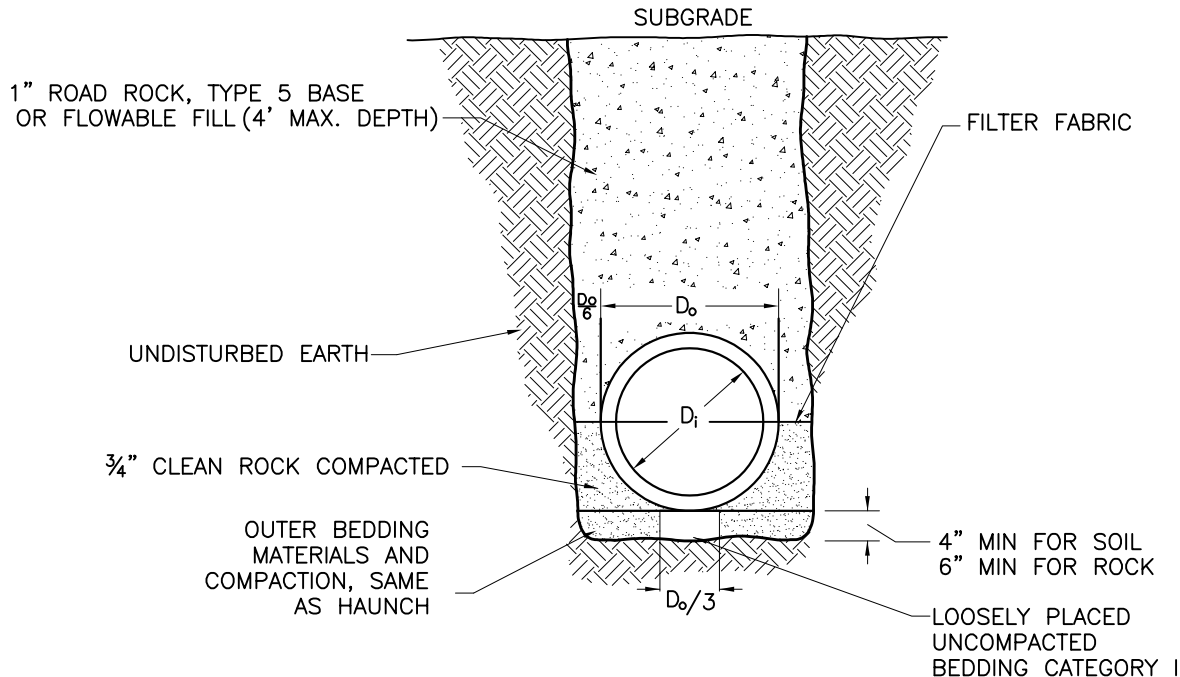


<i>PKS</i> Approved	07/01/20 Date
Revisions	



OVERFLOW SWALE AT CUL-DE-SAC

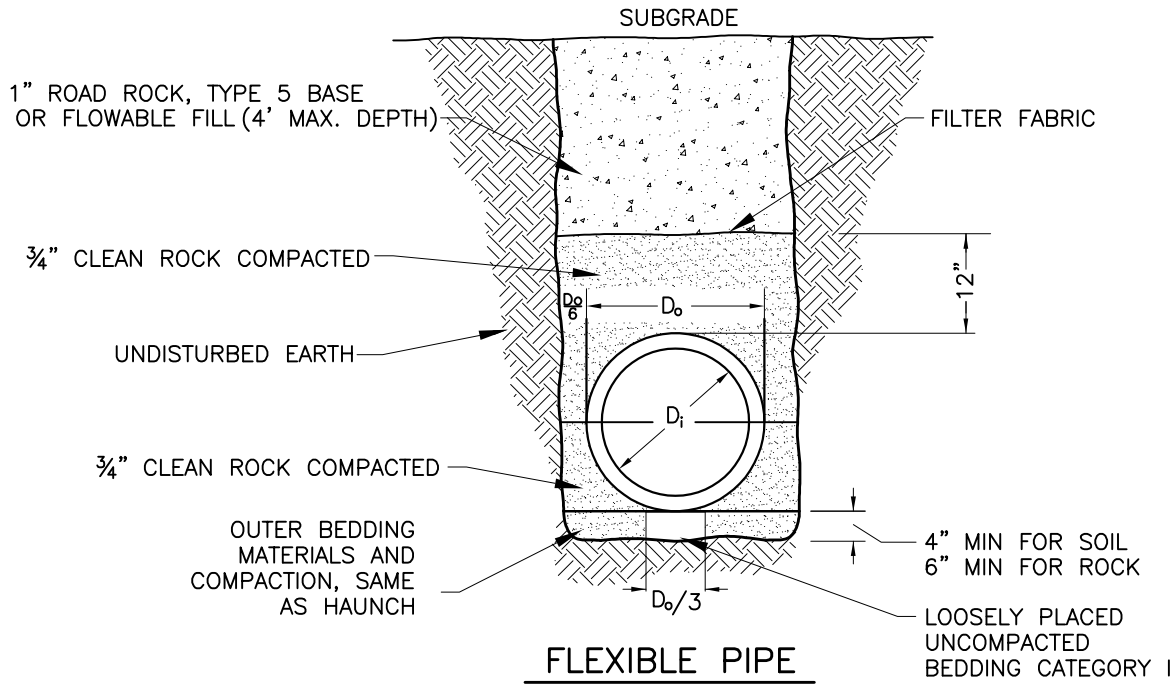
530.04



RIGID PIPE

NOTE: SEE SECTION 201.12.10.1 FOR 1" ROAD ROCK GRADATION AND FOR CATEGORY I,II,AND III SPECIFICATIONS

PIPE DIAMETER	PAYLINE/ MIN. TRENCH WIDTH	MAX. TRENCH WIDTH
8"-36"	$D_o+12"$	$D_o+24"$
42"-72"	$D_o+(D_o/3)$	$D_o+30"$
72"+	$D_o+(D_o/3)$	$D_o+48"$



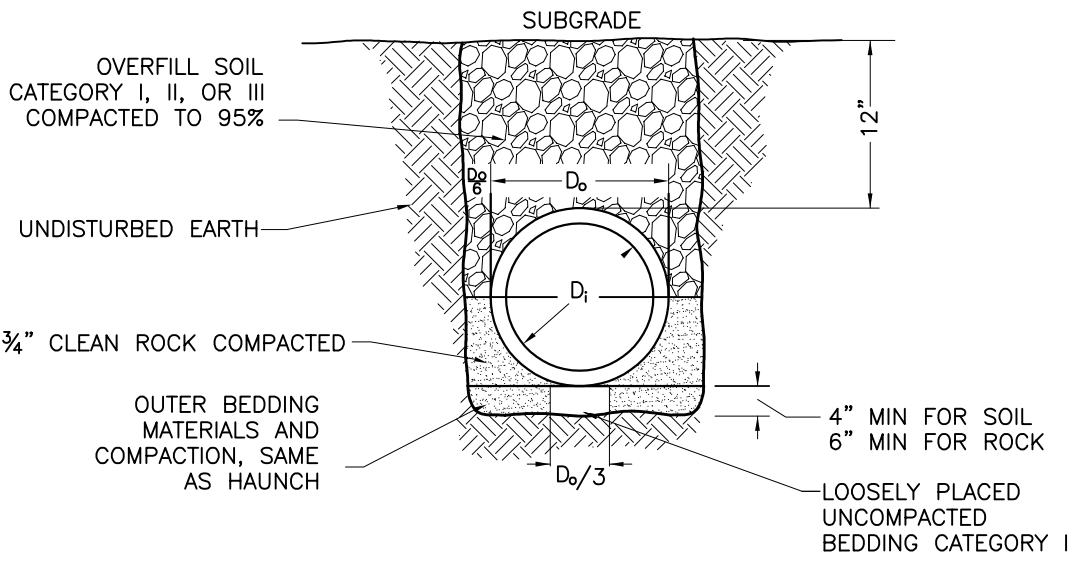
FLEXIBLE PIPE

<i>RAS</i>	07/01/20
Approved	Date
Revisions	



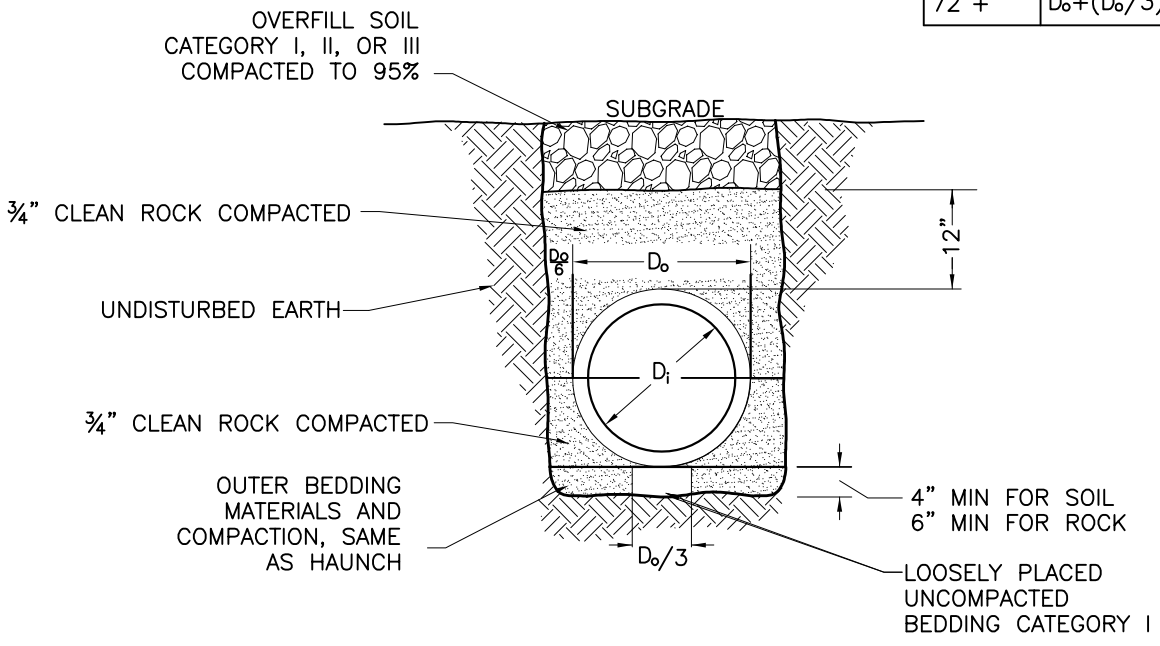
**PIPE EMBEDMENT
(In the Right of Way)**

540.01



RIGID PIPE

PIPE DIAMETER	PAYLINE/ MIN. TRENCH WIDTH	MAX. TRENCH WIDTH
8"–36"	$D_o + 12"$	$D_o + 24"$
42"–72"	$D_o + (D_o/3)$	$D_o + 30"$
72"+	$D_o + (D_o/3)$	$D_o + 48"$



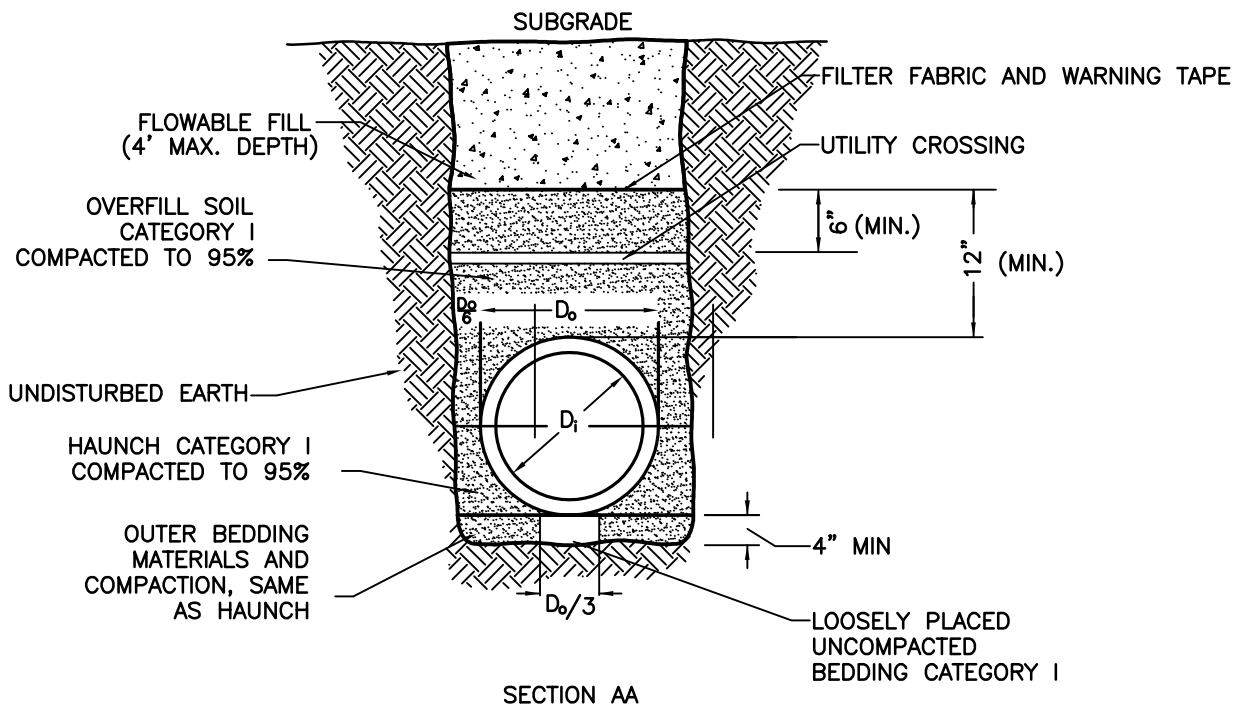
FLEXIBLE PIPE

<i>RAS</i>	07/01/20
Approved	Date
Revisions	

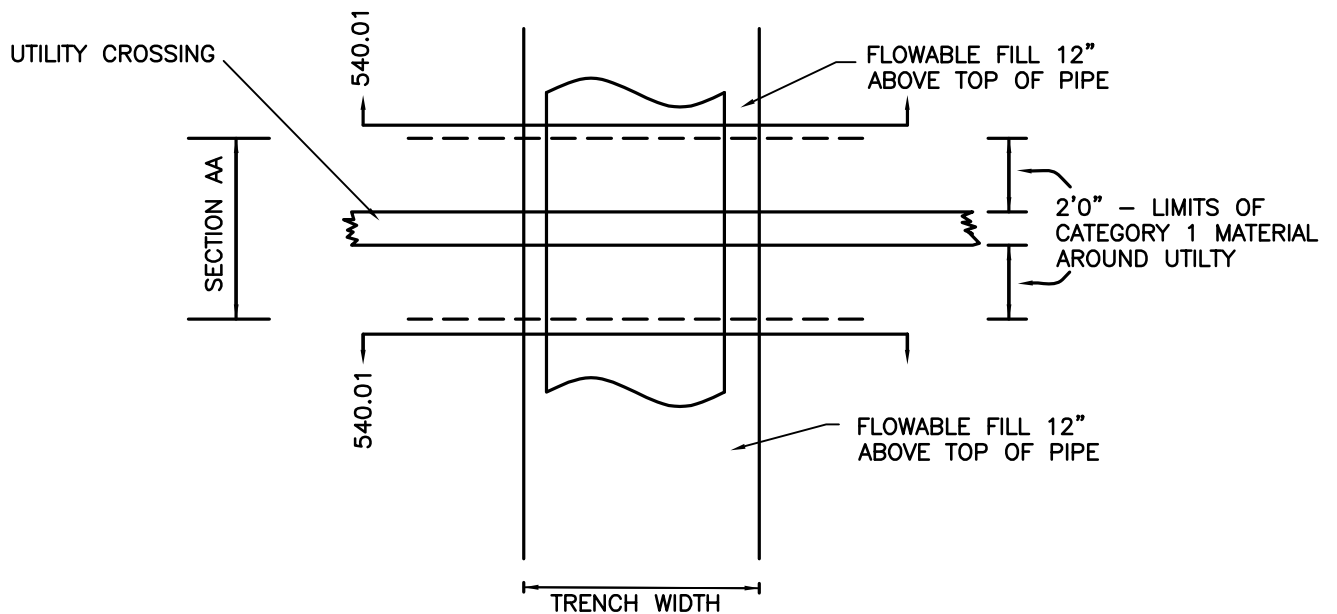



**PIPE EMBEDMENT
(Out of the Right of Way)**

540.02



PIPE DIAMETER	PAYLINE/ MIN. TRENCH WIDTH	MAX. TRENCH WIDTH
12"–36"	$D_0 + 12"$	$D_0 + 24"$
42"–72"	$D_0 + (D_0/3)$	$D_0 + 30"$
72"+	$D_0 + (D_0/3)$	$D_0 + 48"$

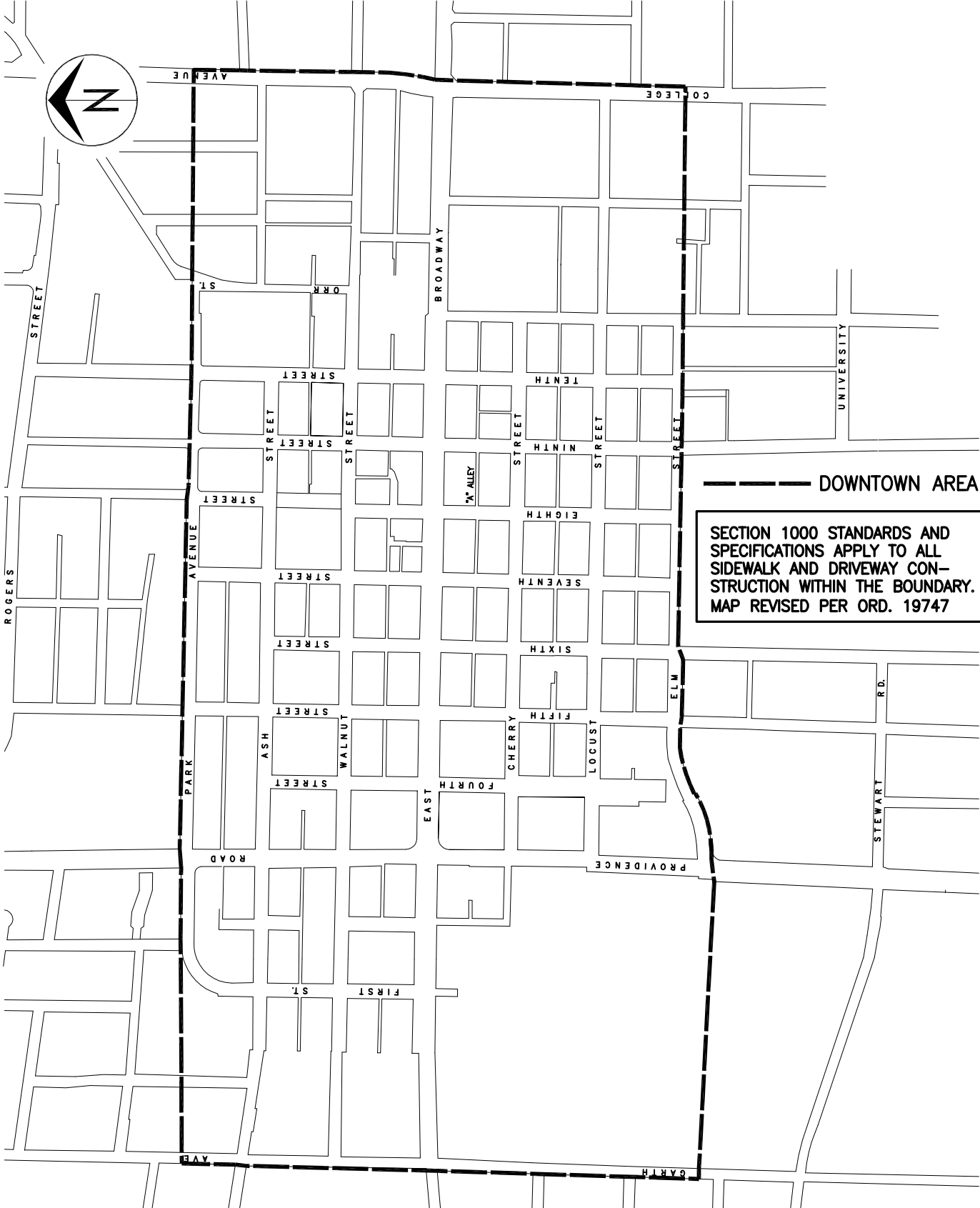
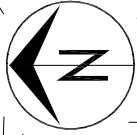


 Approved _____ Date _____	07/01/20
	Revisions




UTILITY CROSSING (In the Right of Way)

541.01



----- DOWNTOWN AREA

SECTION 1000 STANDARDS AND SPECIFICATIONS APPLY TO ALL SIDEWALK AND DRIVEWAY CONSTRUCTION WITHIN THE BOUNDARY. MAP REVISED PER ORD. 1974

	10/01/16
Approved	Date
Revisions	



DOWNTOWN AREA MAP

1000.01A

DOWNTOWN SIDEWALK SPECIFICATIONS

SCOPE

The following Downtown Specifications and Standards are to be used for sidewalk, driveway and curb construction or replacement in the Downtown Area as outlined on drawing 1000.01A. All work within the Right of Way shall be in conformance with the City of Columbia Street and Storm Sewer Specifications and Standards, and these Downtown Sidewalk Specifications and Standards. If a conflict occurs the Downtown Sidewalk Specifications and Standards will govern.

CURBS

The curbs will be placed monolithically with the sidewalk and a saw joint will be provided 6-inches behind the face of the curb for the length of the curb. The curb shall extend a minimum of 6-inches above the existing pavement and 12-inches below the surface of the pavement. Drawing 1000.02 shows curb and sidewalk. Any variations from this standard must have the prior approval of the Director of Public Works.

CONCRETE

All concrete shall be MoDOT pavement concrete.

SIDEWALK REMOVAL AND REPLACEMENT

Whenever sidewalk is removed and replaced, removals must be made along existing saw joints. Diagonal saw cuts and partial panel replacements are not allowed.

TEXTURE

The sidewalk surface texture required shall be that achieved by brooming with a stiff or medium-stiff broom. The direction of brooming shall be transverse to the long axis of the sidewalk. All edges except sawed construction joints shall be worked with an edging tool to a 1/4-inch radius.

FINISHING OPERATIONS

Concrete finishing operations on downtown sidewalks is extremely critical. The contractor must assume the highest level of diligence in performing finishing operations to produce a high quality, durable surface.

Once the concrete has been placed, it shall be immediately struck off using a uniform strike off device free from any defects. During the strike off operation, a minimum of one inch surcharge must be maintained in front of the strike off screed. The strike off screed operations should, in most instances, seal the surface. Immediately following the strike off operation, a magnesium or aluminum bull float should be used to complete the sealing and consolidation of the surface.

 Approved <u>10/01/16</u> Date Revisions 	 City of Columbia Public Works Department	DOWNTOWN SIDEWALKS Specifications	1000.01B
--	--	---	-----------------

This bull floating must be done prior to bleed water coming to the surface. If needed, in the Engineer's judgement, the Engineer will require a ten foot straight edge to be used immediately following the bull floating operation.

Following the evaporation of the bleed water and when the fresh concrete will support normal foot pressure with a maximum 1/8 inch indentation, the wood floating operations should be commenced, followed by the magnesium float, and brooming with a medium bristle, high quality concrete finishing broom.

The acceptable tolerance for the surface of the sidewalk area is 1/8 inch in ten feet as determined by a ten foot straight edge checking the concrete sidewalk or other area in any direction.

CONTROL JOINTS

Control joints are to be sawed to a minimum depth of 1-inch. Joints shall be sawed as soon as the concrete can withstand raveling. Joints shall be cleaned and sealed immediately following sawing. Proper care must be taken to ensure that these saw joints are uniform and straight. The following guidelines will control the size of the sidewalk pads to govern the sawing:


From 0 to 6 feet wide -
no longitudinal joint is required and the traverse joint will be at even intervals equal to the width of the sidewalk.

From 6'1" to 10'4" -
a centerline longitudinal joint is required. A transverse saw joint is required at the same distance as one-half the width of the sidewalk.

From 10'5" and up -
the longitudinal joints will be sawed to provide a minimum of 42-inches and a maximum of 5-feet between longitudinal saw joints. The transverse saw joint will be provided to form square sidewalk pads. In addition, whenever poles, fire hydrants, meters, tree grates or other obstacles are encountered, the sawing may need to be altered to control cracking at these obstacles.

EXPANSION JOINT

Expansion joint shall be 1/2-inch premolded fiber conforming to ASTM D2628 or D1751 of the perforated type so that the upper 1/2-inch can be removed and joint sealant can be placed over the expansion joint for a uniform seal. Expansion joints shall be installed along buildings, at driveways, at ramps, at structures and at intervals not to exceed 75 feet.

 Approved	10/01/16 Date
Revisions	



DOWNTOWN SIDEWALKS Specifications

1000.01C

JOINT SEALANT

Joint sealant is required in all control, expansion and construction joints. Joint sealant shall be light gray in color. Joint sealant shall be a one or two component polysulfide polymer sealant or a one or two component polyurethane prepolymer sealant, Horn Daraseal-V or Vulkem Sealant or approved equal. Joint sealant shall be installed in accordance with manufacturer's specifications. A resilient closed cell foam backing rod, Etha Foam or approved equal, shall be used in all saw joints and placed to a depth equal to the width of the joint.

SIDEWALK ACCESSIBILITY

Accessible Sidewalk Ramps shall be provided at all intersections. Cross slopes of sidewalks shall not exceed 1:50. The preferred minimum downtown sidewalk width is 10 ft.

BLOCK OUT FOR TREES

Block outs for tree grates shall be provided in conformance with the approved downtown plan. The configuration of the block out is shown on drawings 1000.09, 1000.10A and 1000.10B. Tree grates shall be provided by the developer. Trees and soil backfill will be provided by the City.

TREES


Tree selection shall be in accordance with City Staff recommendations which are based on proven desirable growth characteristics for urban use areas. All tree selections must be approved by the City prior to installation.

VAULTS

When a sidewalk is constructed over a basement vault. The structural stability of the vault and sidewalk shall be analyzed by an Engineer or Architect.

AUTHORITY

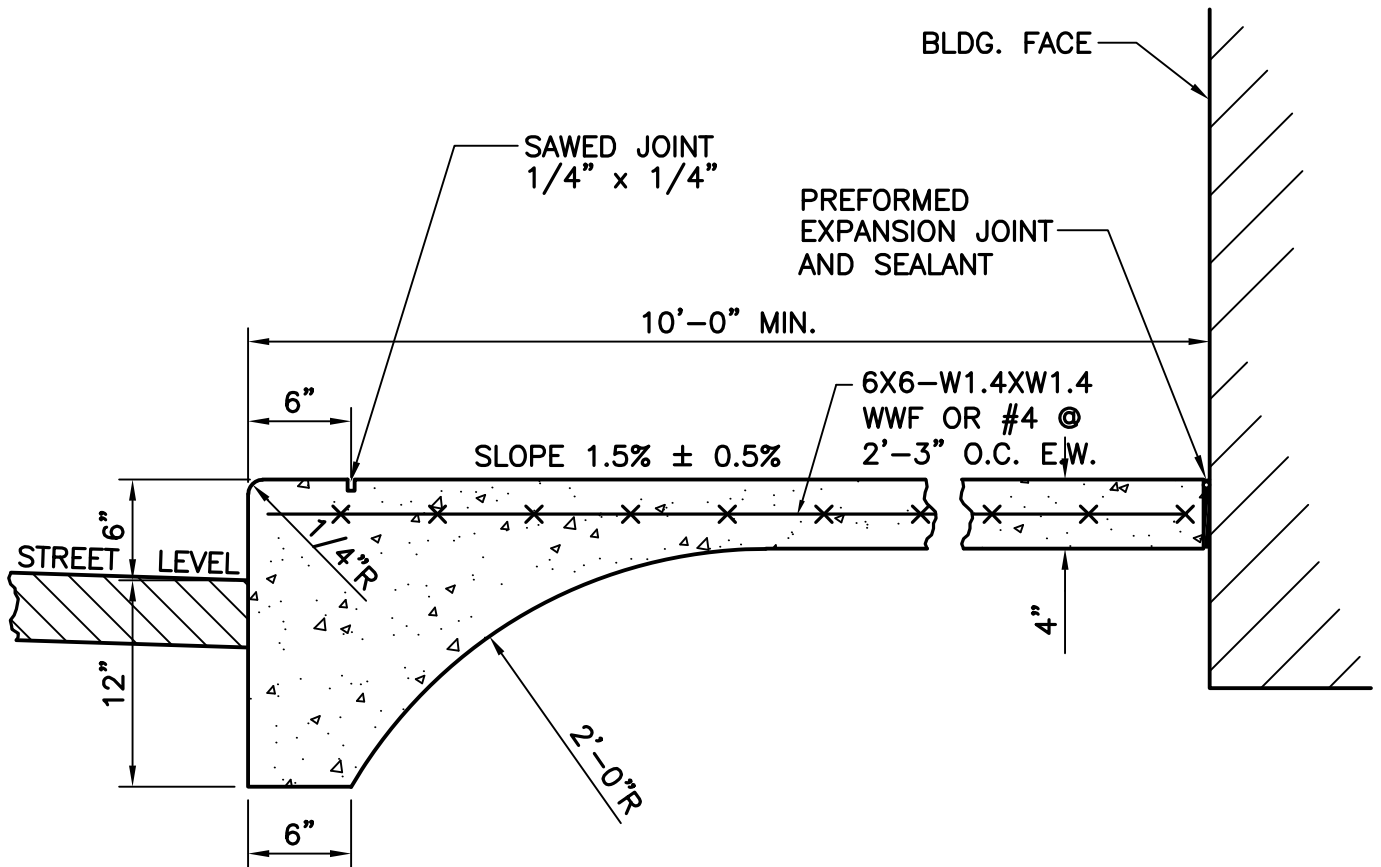
The Director of Public Works shall have the authority in the interest of safety and maintenance to make technical refinements and modifications to these construction standards and methods during the time these standards are in effect.

	10/01/16
Approved	Date
Revisions	




DOWNTOWN SIDEWALKS
Specifications and Standards

1000.01D



NOTES:

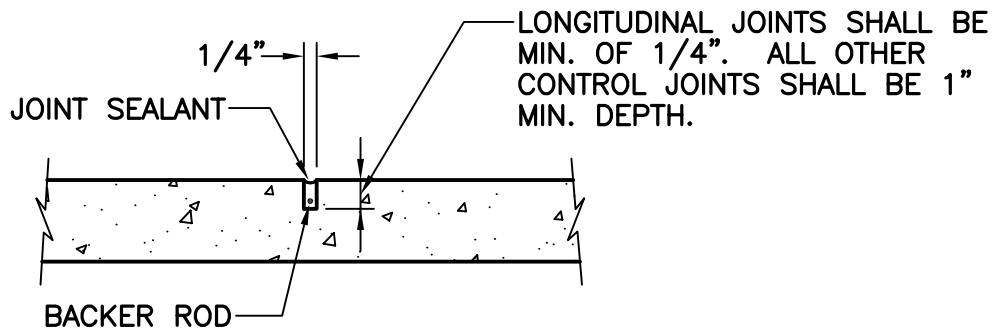
1. SIDEWALK CROSS SLOPE SHALL NOT EXCEED 2.00%.
2. SAW AND PATCH STREET PAVEMENT AS NECESSARY FOR CONSTRUCTION OF NEW CURB.
3. SEE JOINT DETAILS - 1000.03.
4. SEE SPECIFICATIONS - 1000.01B THRU 1000.01D.
5. NO STEEL TO BE PLACED THROUGH EXPANSION JOINT

 Approved	07/01/20 Date
Revisions	

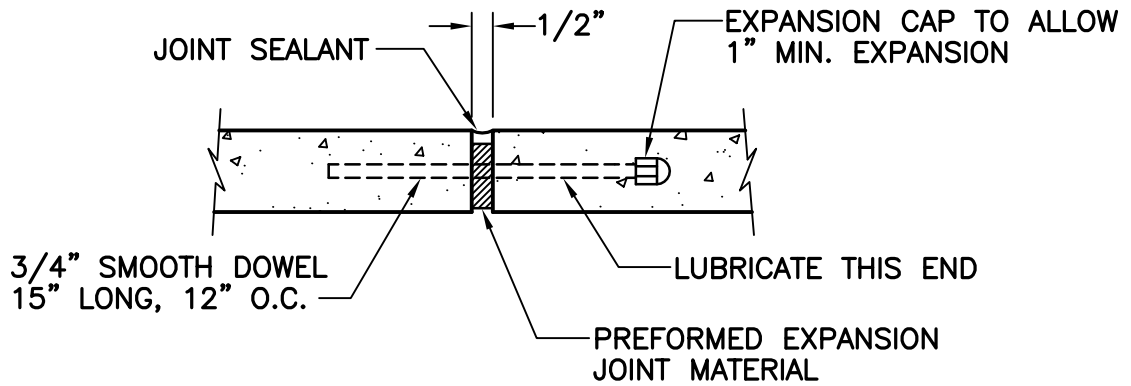


DOWNTOWN SIDEWALK

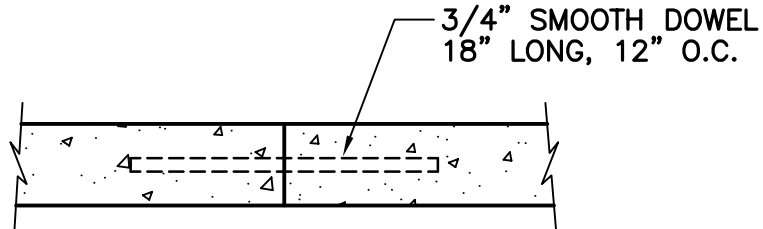
1000.02



CONTROL JOINT




EXPANSION JOINT



TRANSVERSE CONSTRUCTION JOINT

NOTES:

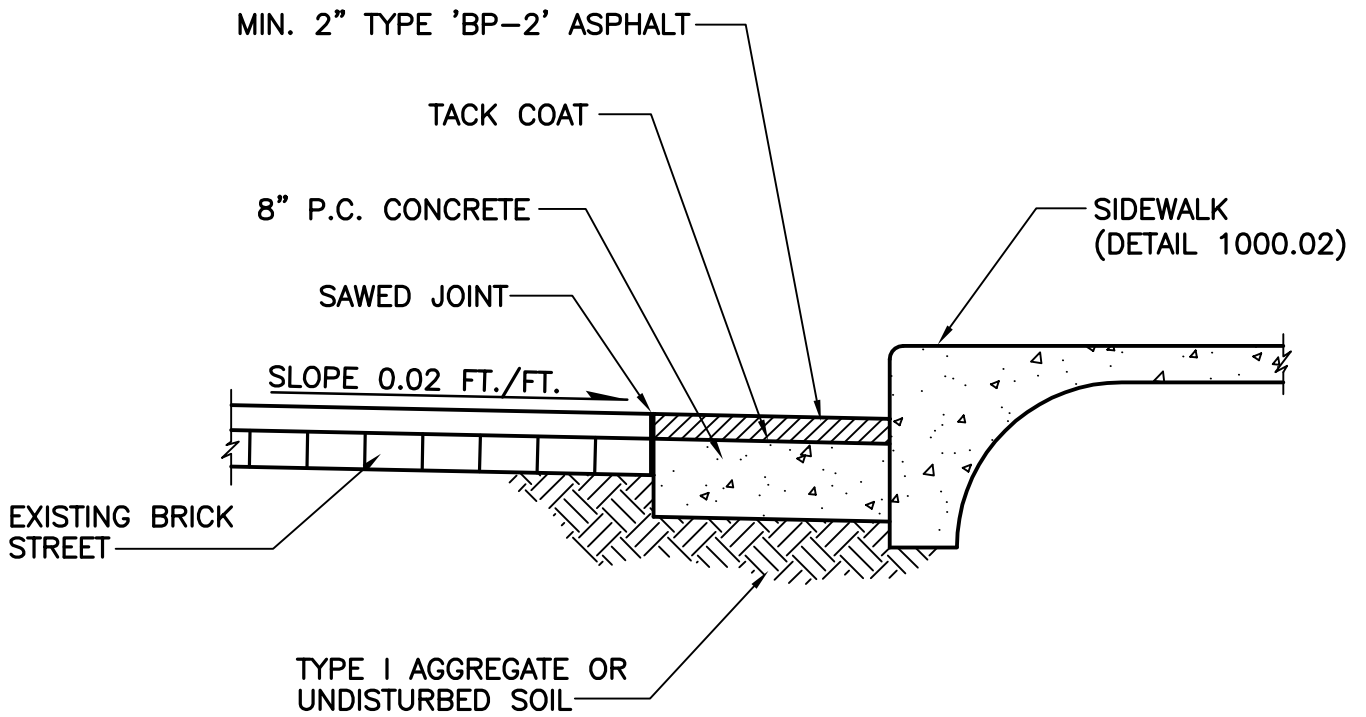
1. SEE SPECIFICATIONS – 1000.01B THRU 1000.01D.
2. ALL DRILLED DOWEL BARS SHALL BE EXPOXIED.

 Approved	10/01/16 Date
Revisions	




SIDEWALK JOINT DETAILS

1000.03



NOTE:

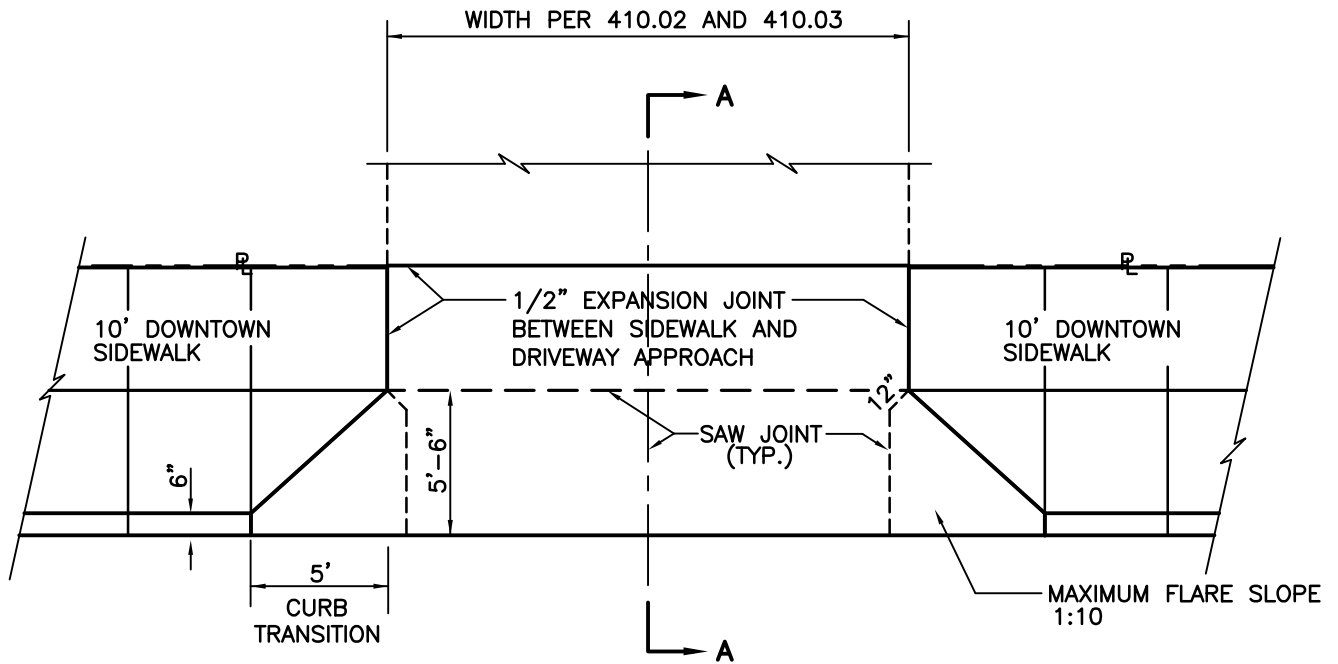
AREAS TO BE OVERLAID SHALL HAVE A TACK COAT OF SS-1 WATER BASED EMULSION APPLIED AT A RATE OF 0.2 GALLONS PER SQUARE YARD. THIS IS TO BE INCLUDED IN THE PRICE BID FOR "PATCHING AND LANE WIDENING" AND/OR "FULL DEPTH STREET PATCH FOR CONDUIT".

	10/01/16
Approved	Date
Revisions	

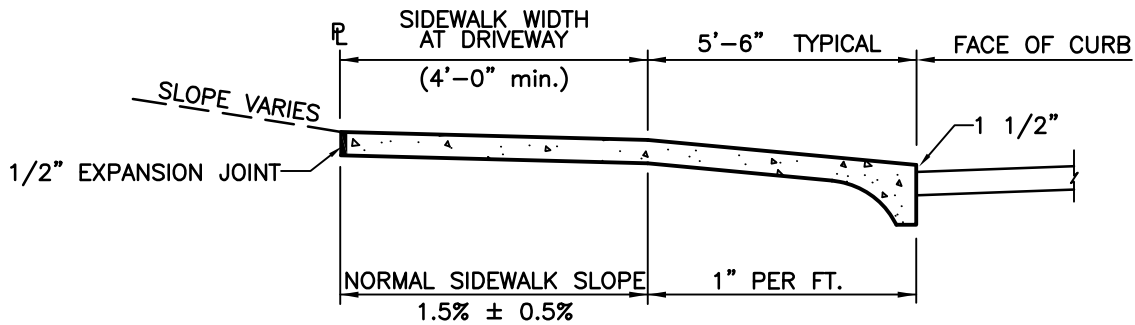


PAVEMENT PATCHING &
LANE WIDENING

1000.04




PLAN



SECTION A-A

NOTES:

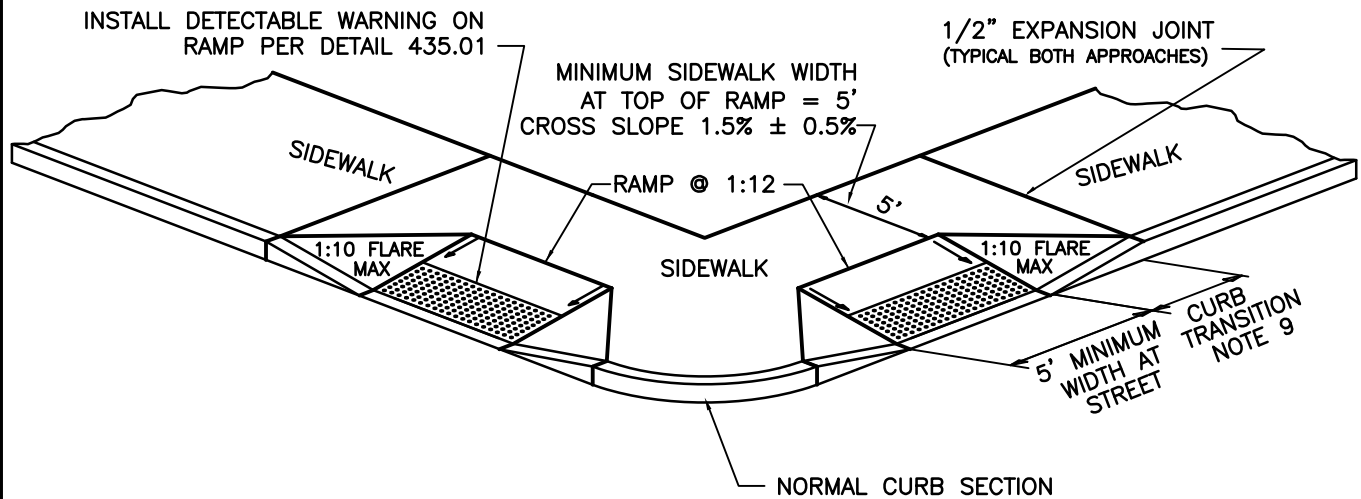
1. DRIVEWAY APPROACH SHALL BE 7" THICK M&DOT PAVEMENT CONCRETE.
2. SEE JOINT DETAILS - 1000.03.
3. ALL DRIVEWAY APPROACHES SHALL SLOPE TOWARD THE STREET.
4. ALL DRIVEWAY APPROACHES SHALL BE CONSTRUCTED TO ACCOMODATE SIDEWALKS. (EXISTING AND FUTURE)
5. OMIT 1 1/2" EDGE AT GUTTER IF DRIVE APPROACH ALSO SERVES AS ACCESSIBLE SIDEWALK RAMP.
6. DRIVEWAY MAY BE REINFORCED AT OWNERS OPTION. DO NOT REINFORCE ON CITY BID PROJECTS.
7. SIDEWALK CROSS SLOPE SHALL NOT EXCEED 2.00%.

 Approved	07/01/20 Date
Revisions	




DRIVEWAY AND ALLEY
(Downtown)

1000.05



NOTE:

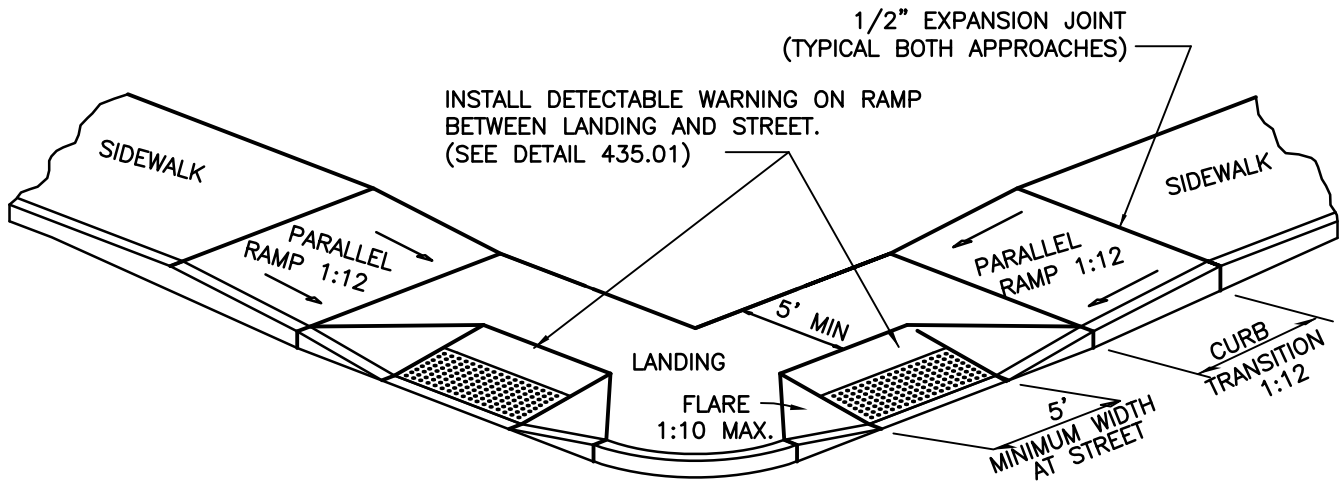
1. RAMP, LANDING AND AREA BETWEEN RAMPS SHALL BE 6" THICK REINFORCED W/ #4 @ 12" O.C. MoDOT PAVEMENT CONCRETE.
2. SEE DETAIL 1000.03 FOR JOINT DETAILS.
3. MAXIMUM RAMP CROSS SLOPE IS 2.00%.
4. ALL SLOPES ARE MEASURED FROM THE HORIZONTAL.
5. RAMP LENGTH IS DEPENDENT ON 1:12 MAX. SLOPE. USE FLATTER WHEN POSSIBLE.
6. LANDING AREA AT TOP OF RAMP SHALL BE 5' MIN WIDTH, CROSS SLOPE OF LANDING SHALL NOT EXCEED 2.00%.
7. TYPE "A" RAMP NOT APPLICABLE IF SIDEWALK WIDTH DOES NOT PROVIDE 5' LANDING AT THE TOP OF RAMP. USE TYPE "B" RAMP.
8. RAMP EXTENDS INTO SIDEWALK, FLARE SLOPE MUST NOT EXCEED 1:10.
9. CURB TRANSITION LENGTH IS DEPENDENT ON 1:10 FLARE SLOPE

 Approved	07/01/20 Date
Revisions	




SIDEWALK RAMP Sidewalk at Back of Curb (Type A)

1000.06



NOTE:

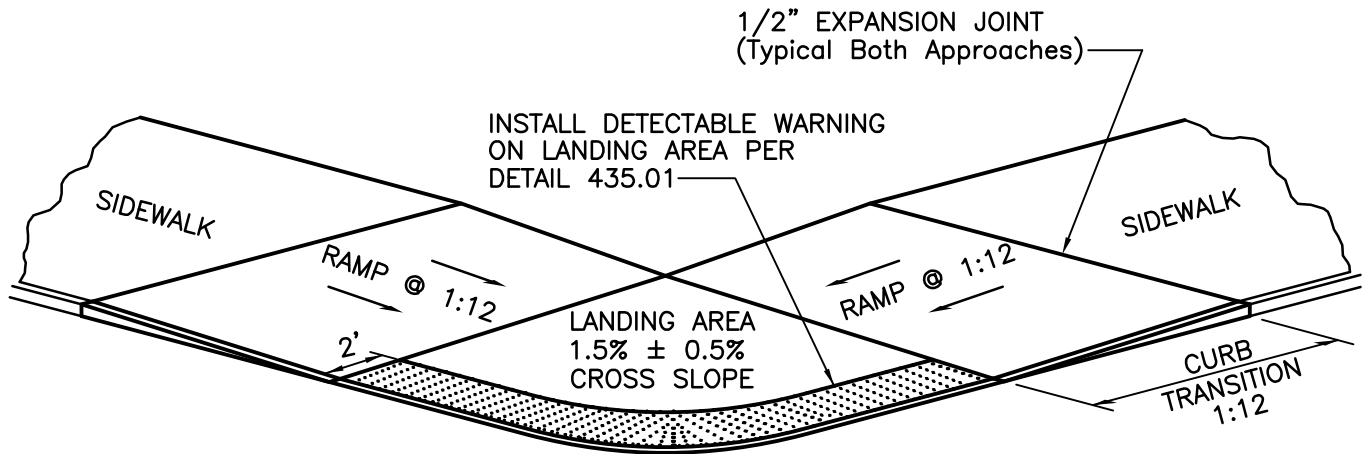
1. RAMP, LANDING AND AREA IN BETWEEN SHALL BE 6" THICK REINFORCED W/#4@12" O.C. MoDOT PAVEMENT CONCRETE.
2. EXPANSION JOINT SHALL BE 1/2" PREFORMED CORK OR BITUMINOUS EXPANSION JOINT MATERIAL.
3. MAXIMUM RAMP CROSS SLOPE IS 2.00%.
4. ALL SLOPES ARE MEASURED FROM THE HORIZONTAL.
5. RAMP SLOPE 1:12 MAX. USE FLATTER WHEN POSSIBLE.
6. LANDING AREA SHALL BE 5'-0" MIN WIDTH, LANDING CROSS SLOPE 1.5% ± 0.5% (2.0% MAXIMUM ANY DIRECTION).
7. TYPE "B" RAMP PROVIDES PARALLEL RAMPS TO REDUCE THE PERPENDICULAR RAMP LENGTH AND PROVIDE ADEQUATE LANDING.
8. RAMP EXTENDS INTO SIDEWALK, FLARE SLOPE MUST NOT EXCEED 1:10.

 Approved	047/01/20 Date
Revisions	




SIDEWALK RAMP Sidewalk at Back of Curb (Type B)

1000.07



NOTE:

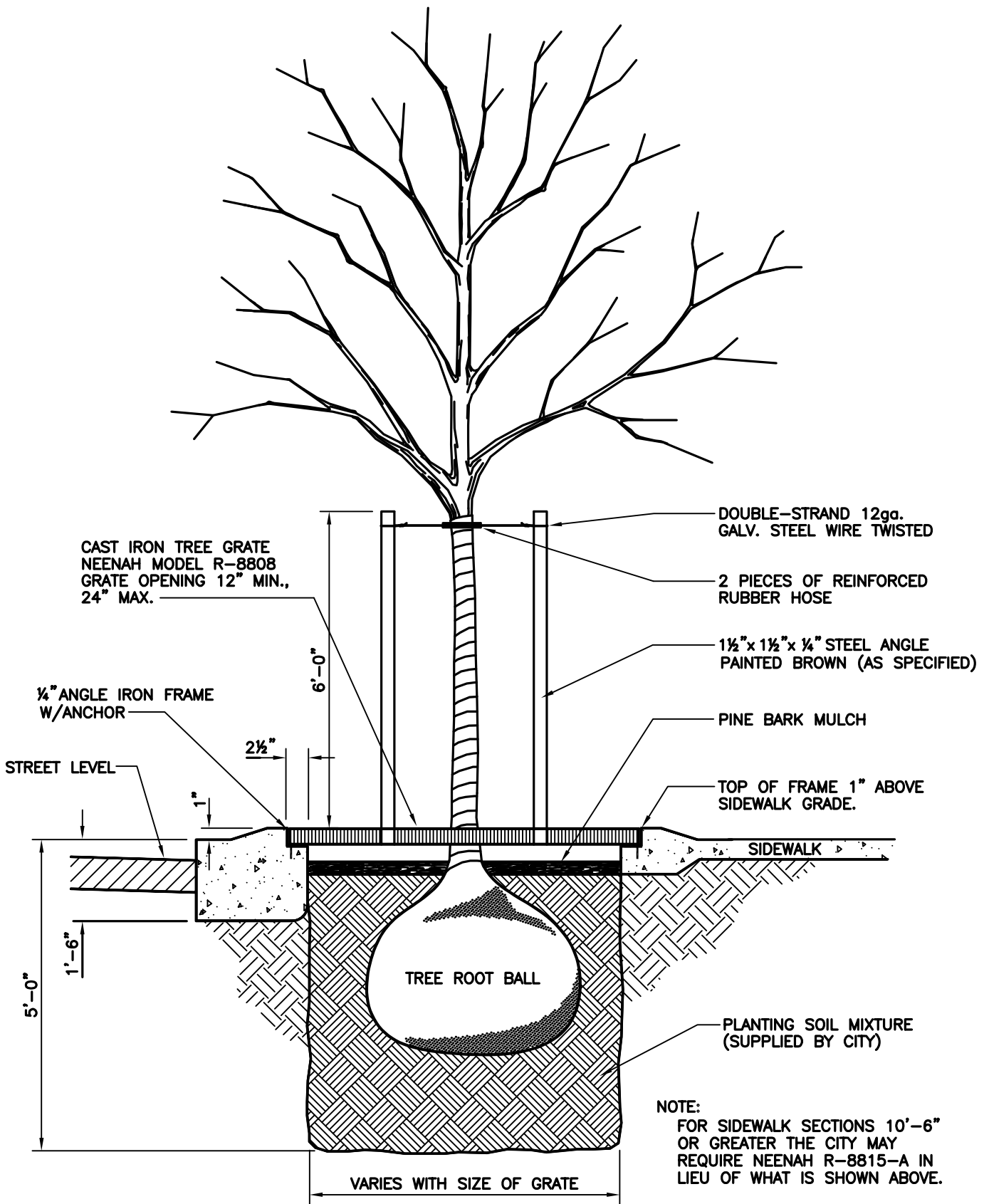
1. RAMP AND LANDING SHALL BE 6" THICK REINFORCED W/#4@12" O.C. MoDOT PAVEMENT CONCRETE.
2. EXPANSION JOINT SHALL BE 1/2" PREFORMED CORK OR BITUMINOUS EXPANSION JOINT MATERIAL.
3. MAXIMUM RAMP CROSS SLOPE IS 2.00%.
4. ALL SLOPES ARE MEASURED FROM THE HORIZONTAL.
5. RAMP LENGTH IS DEPENDENT ON 1:12 MAX. SLOPE. USE FLATTER WHEN POSSIBLE.
6. LANDING AREA SHALL BE 5'-0" MIN WIDTH, CROSS SLOPE OF LANDING SHALL NOT EXCEED 2.00%.
7. USE TYPE "C" RAMP ONLY IF TYPE "A" & "B" ARE NOT FEASIBLE.


 Approved	07/01/20 Date
Revisions	



SIDEWALK RAMP
Sidewalk at Back of Curb
(Type C)

1000.08

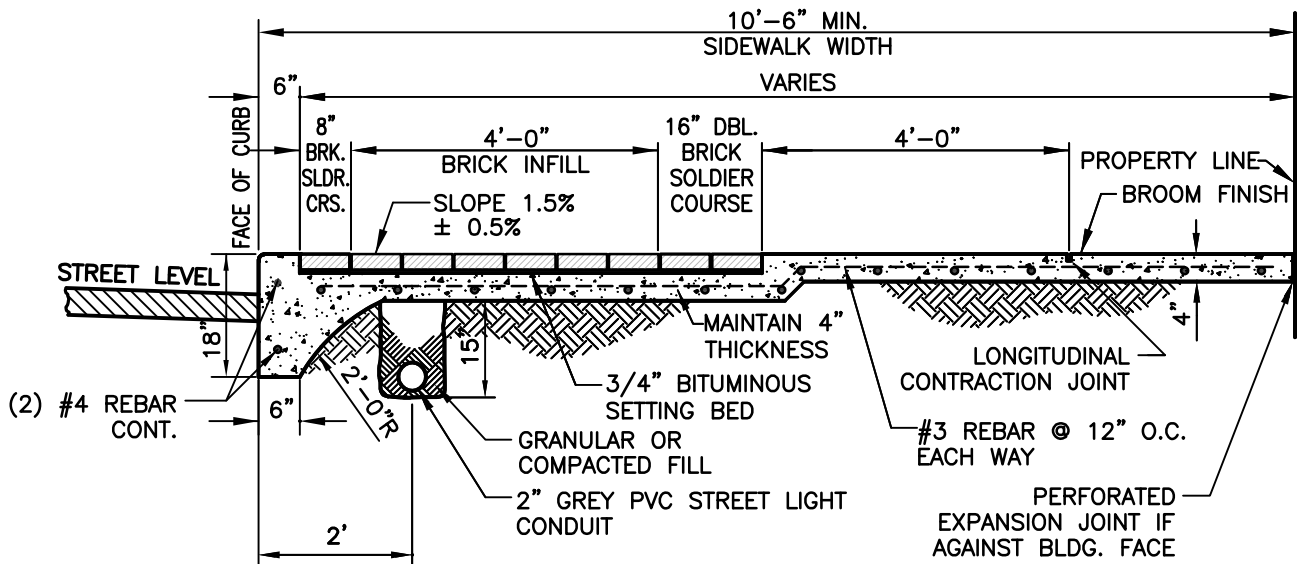


	10/01/16
Approved	Date
Revisions	

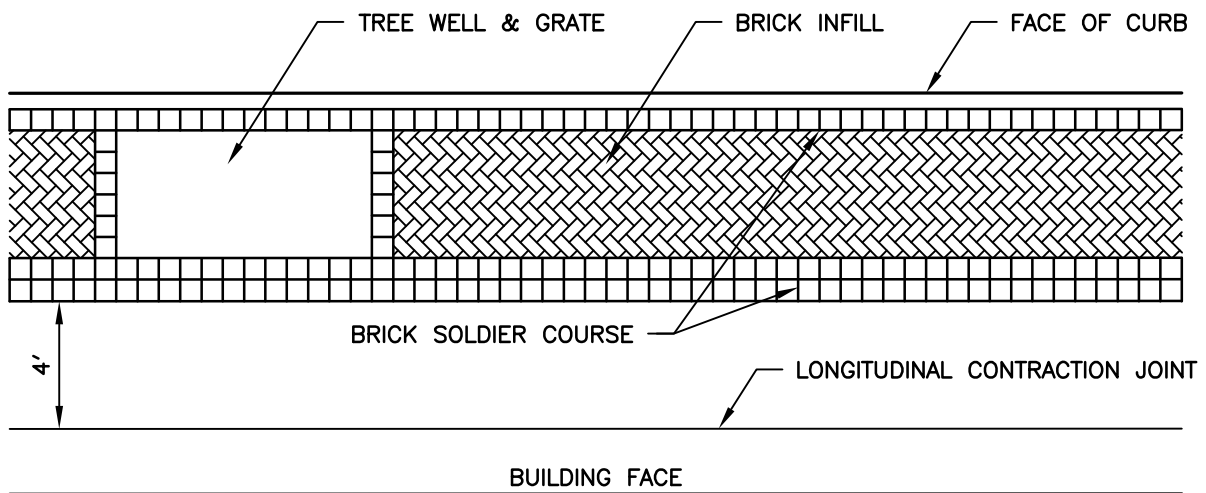


TYPICAL DOWNTOWN TREE PLANTING DETAIL

1000.09




TYPICAL SECTION



PLAN VIEW

NOTES:

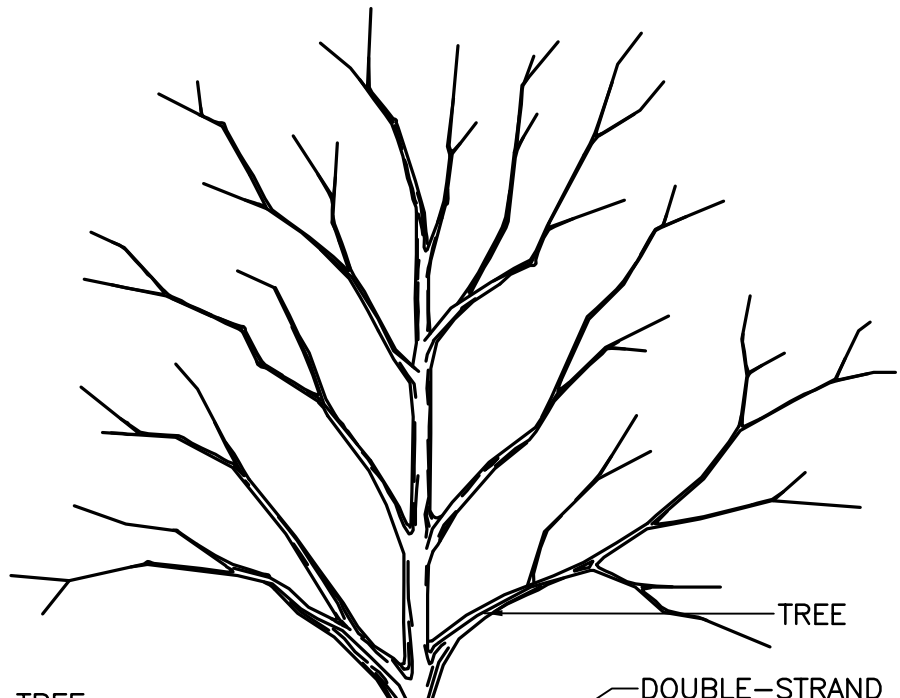
1. SIDEWALK CROSS SLOPE 1.5% ± 0.5% (2.0% MAXIMUM).
2. SAW AND PATCH STREET PAVEMENT AS NECESSARY FOR CONSTRUCTION OF NEW CURB.
3. SEE JOINT DETAILS – 1000.03.
4. SEE SPECIFICATIONS – 1000.01
5. NO STEEL TO BE PLACED THROUGH EXPANSION JOINT
6. FOR SIDEWALK SECTIONS LESS THAN 10'-6" A MODIFIED DETAIL WILL BE REQUIRED.

 Approved	07/01/20 Date
Revisions	



**DOWNTOWN SIDEWALK -
 ALONG 8th STREET & BROADWAY**

1000.10A



TREE

4'x8' CAST IRON TREE GRATE IRONSMITH MARKET STREET MODEL 9646 WITH TREE OPENING 18" OR APPROVED EQUAL

1/4" ANGLE IRON FRAME W/ANCHOR

DOUBLE-STRAND 12ga. GALV. STEEL WIRE TWISTED

2 PIECES OF REINFORCED RUBBER HOSE

1 1/2"x1 1/2"x1/4" STEEL ANGLE PAINTED BROWN

3" WOOD MULCH

16" DBL. SOLDIER COURSE

STREET LEVEL

2 1/2"

6"

6'-0"

SIDEWALK

3'-6"


1'-6"

8" SOLDIER COURSE

TREE ROOT BALL

8" THICK CONCRETE EDGE

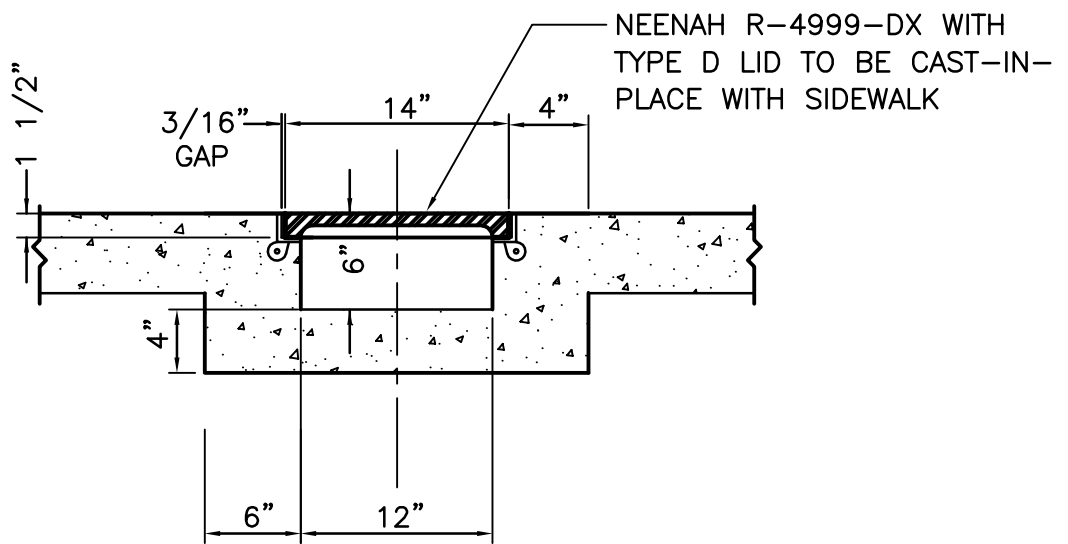
PLANTING SOIL MIXTURE (SUPPLIED BY CITY)

	10/01/16
Approved	Date
Revisions	




DOWNTOWN SIDEWALK -
ALONG 8th STREET & BROADWAY

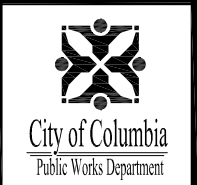
1000.10B



NOTE:

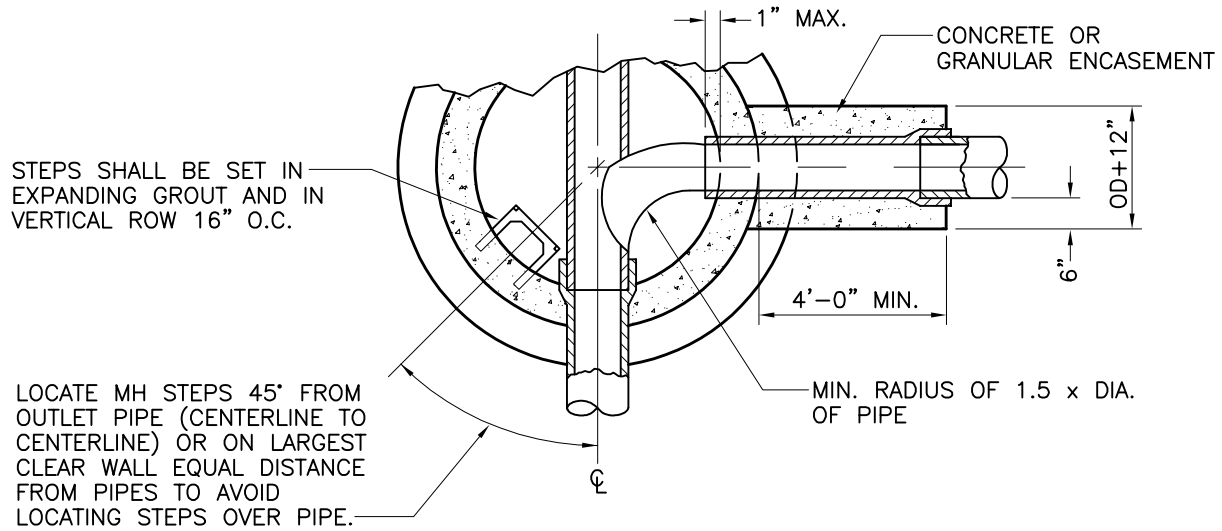
1. TRENCH GRATE CUT (IF NEEDED) SHALL BE LOCATED AT PROPERTY LINE.

	10/01/16
Approved	Date
Revisions	

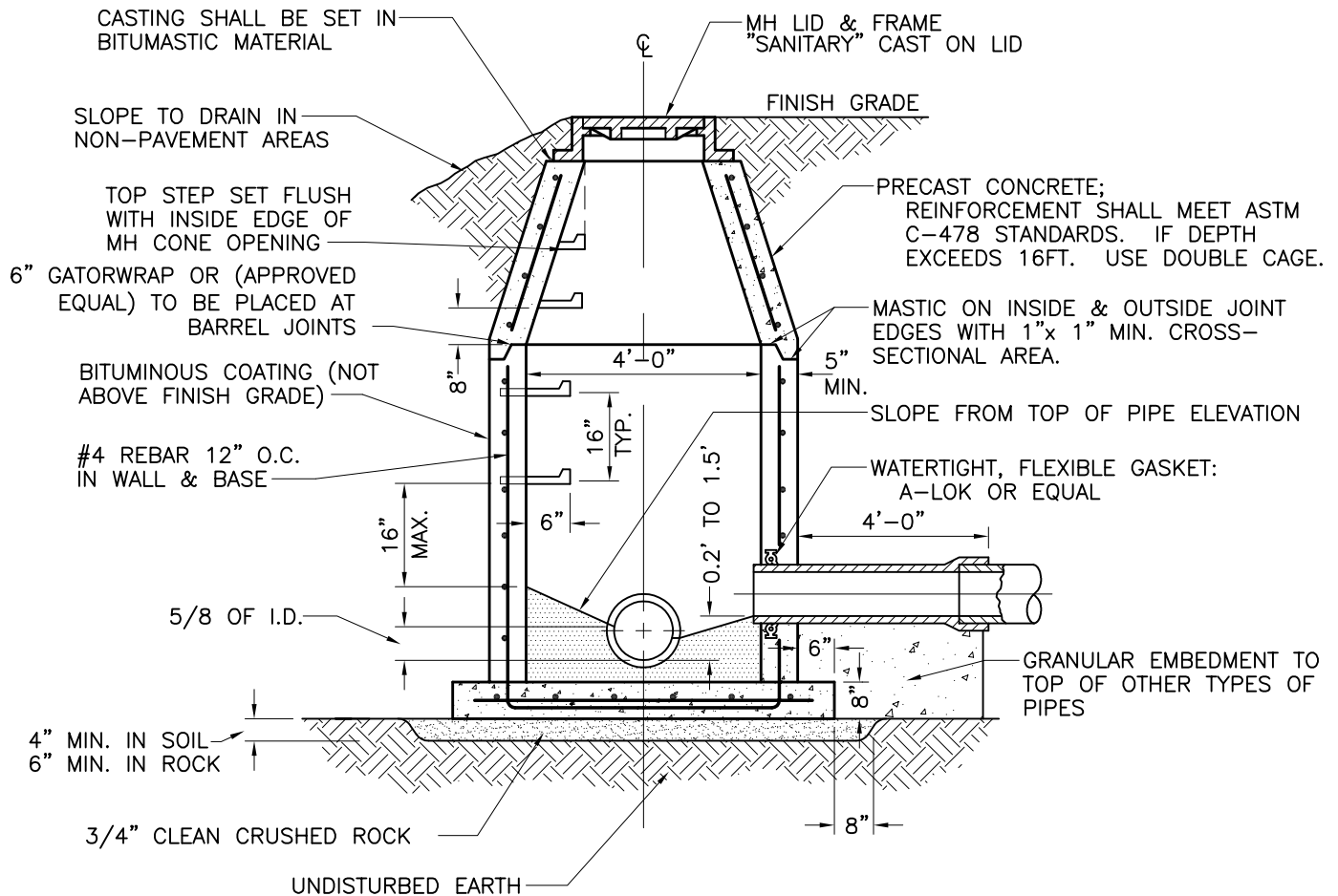


TRENCH GRATE


1000.16



HORIZONTAL SECTION



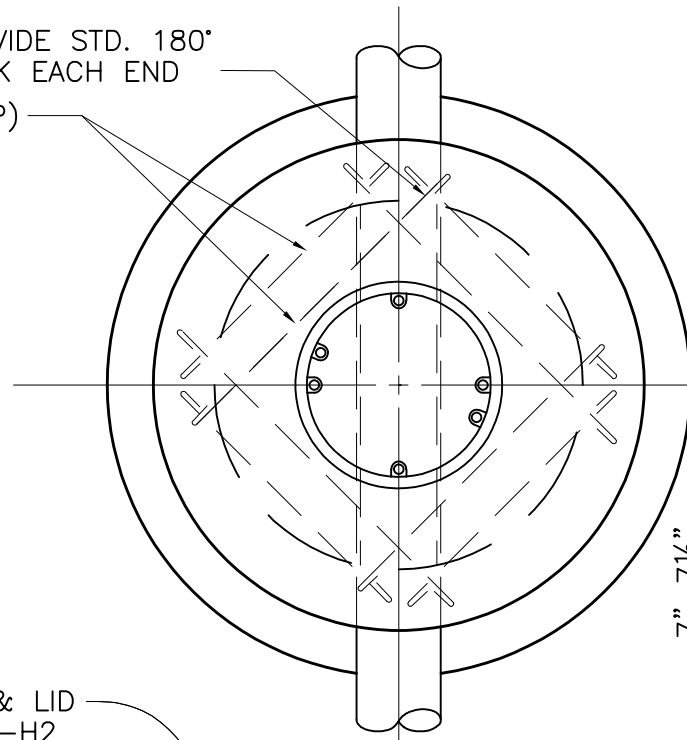
VERTICAL SECTION

 Approved _____ Date _____	07/01/20
	Revisions

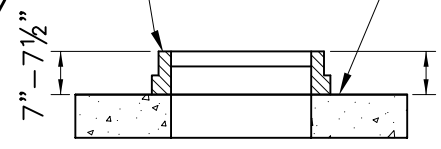


STANDARD MANHOLE

PROVIDE STD. 180°
HOOK EACH END
#6 REBAR (TYP)



NEENAH R1726-A
OR APPROVED EQUAL
BITUMINOUS SETTING
COMPOUND



ALTERNATE TOP
(TO BE USED UNDER
PAVEMENTS ONLY)

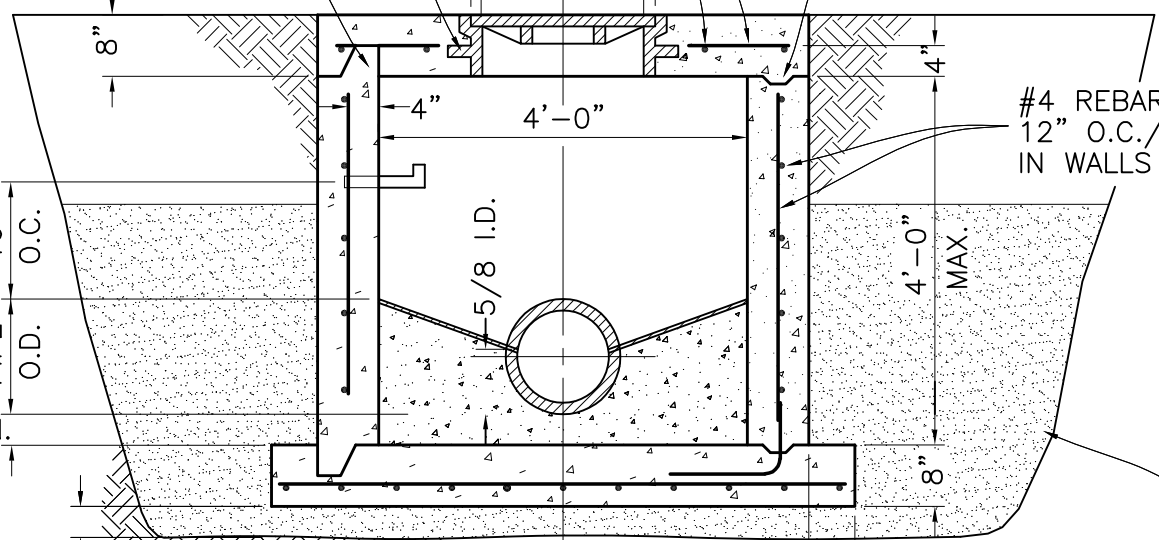
MANHOLE FRAME & LID
NEENAH PR-1915-H2
CLAY & BAILY 2002
OR AN APPROVED EQUAL

5" PRECAST OR
8" REINFORCED
CONCRETE

2'-0"
1'-10"

#6 REBAR

2" KEYWAY
(TOP & BOTTOM)





#4 REBAR
12" O.C./E.W.
IN WALLS & BASE

4" MIN. IN SOIL
6" MIN. IN ROCK

UNDISTURBED
EARTH

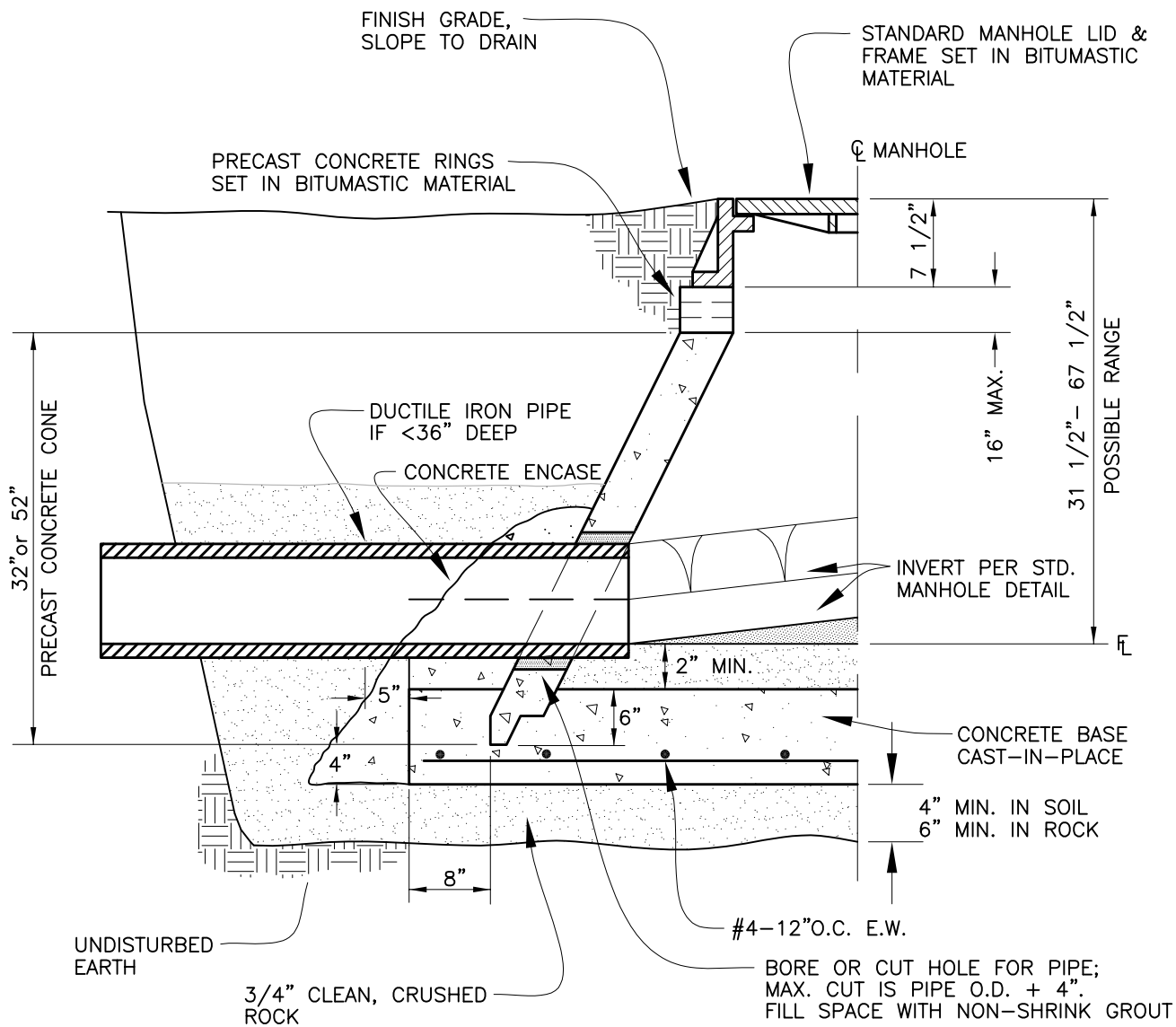
3/4" CLEAN CRUSHED
ROCK

VERTICAL SECTION

 Approved _____ Date 07/01/20	 city of Columbia Sewer Utility	FLAT TOP SHALLOW MANHOLE	2



**FLAT TOP
SHALLOW MANHOLE**

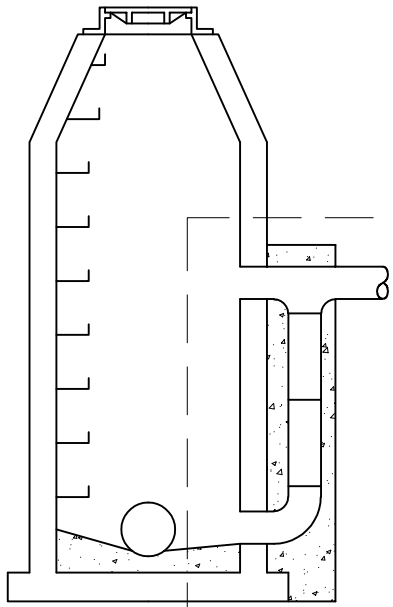


VERTICAL HALF-SECTION

<i>RAS</i>	07/01/20
Approved	Date
Revisions	



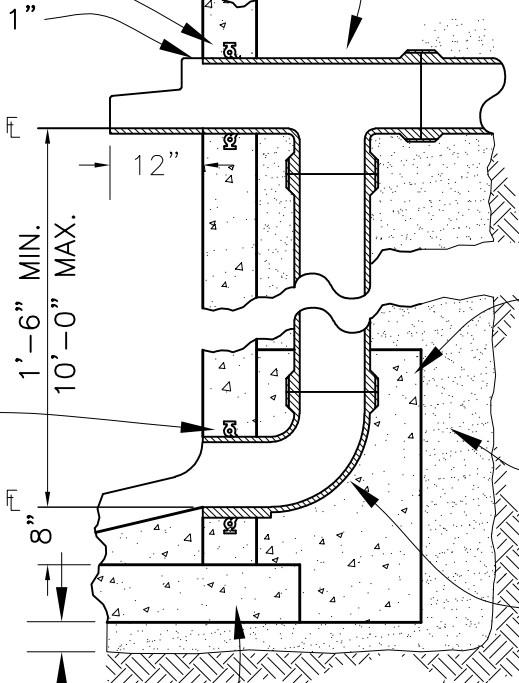
**STANDARD SHALLOW
MANHOLE**



See Detail Below

WATERTIGHT, FLEXIBLE GASKET: A-LOCK OR APPROVED EQUAL

STANDARD TEE FITTING



CONCRETE ENCASEMENT SHALL EXTEND 6" PAST THE 90° ELBOW

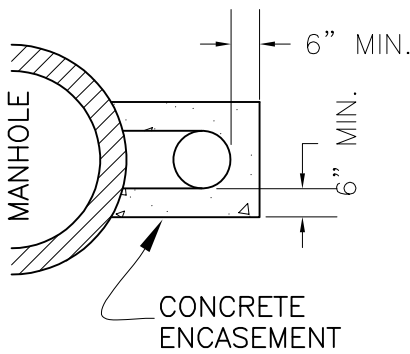
GRANULAR BACKFILL 3/4" CLEAN CRUSHED ROCK, TO UNDISTURBED EARTH

LONG ELBOW

UNDISTURBED EARTH

MANHOLE BASE

WATERTIGHT, FLEXIBLE GASKET: A-LOCK OR APPROVED EQUAL



MANHOLE

CONCRETE ENCASEMENT

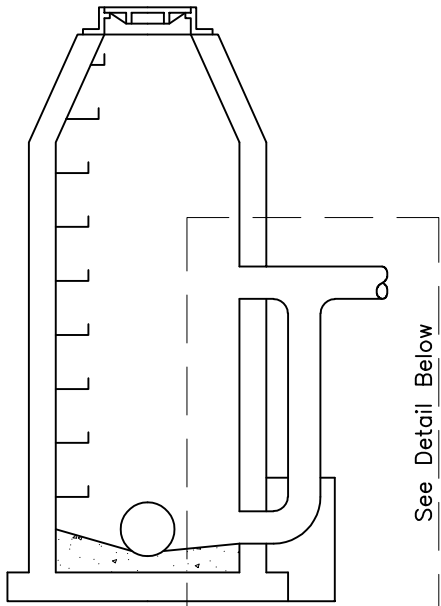
NOTES:

1. DROP INLET PIPE TO BE SAME SIZE AND MATERIAL AS SEWER MAIN.
2. ALIGNMENT OF TEE: DROP INLET PIPE AND LONG ELBOW MAY BE ADJUSTED TO MAXIMUM OF 5% DEFLECTION TO COMPENSATE FOR SLOPE OF SEWER LINE.

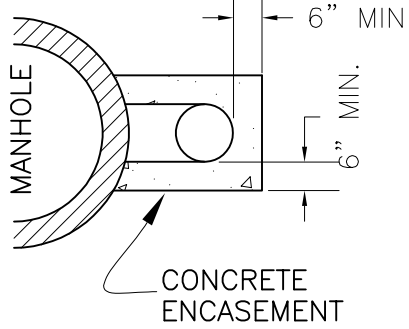
<i>PAS</i> Approved	7/01/20 Date
Revisions	



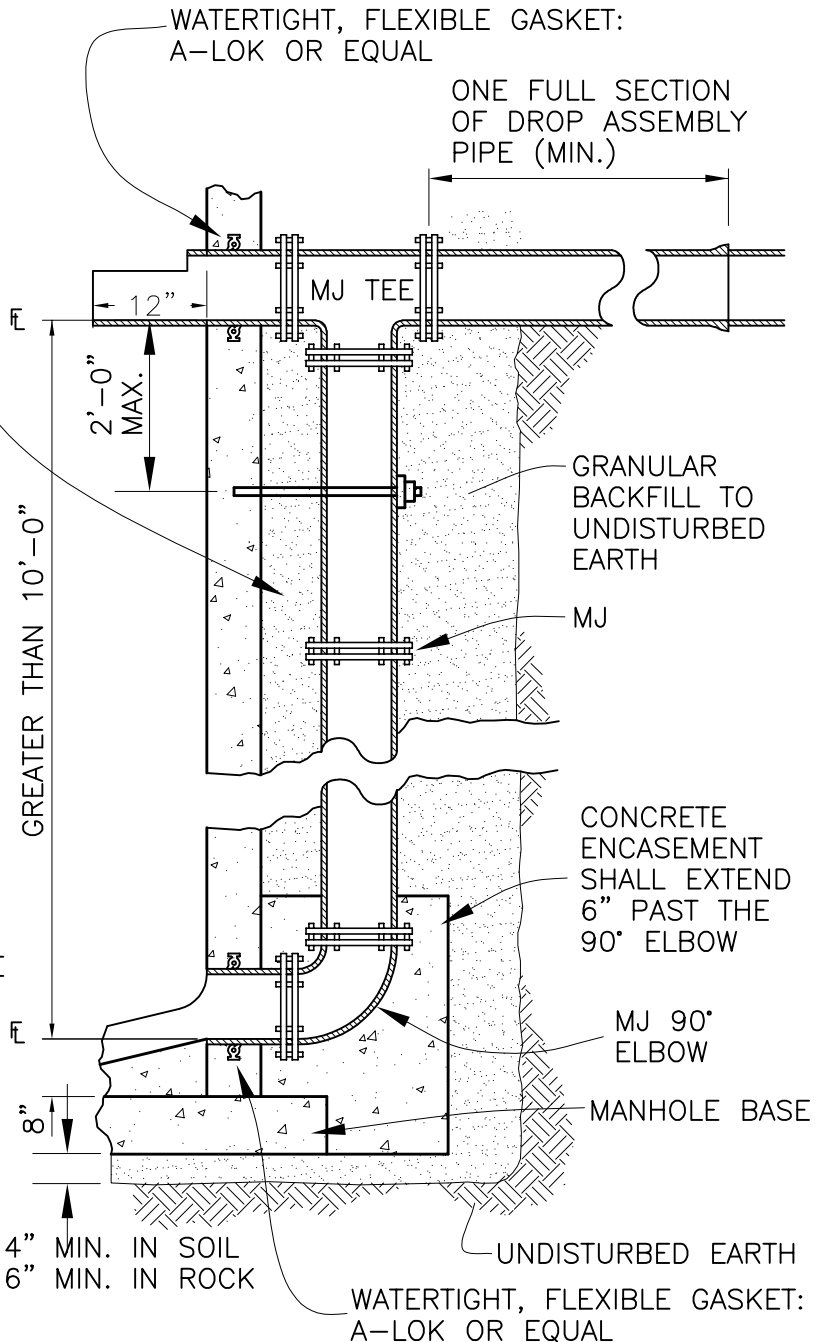
STANDARD DROP MANHOLE



See Detail Below



STAINLESS STEEL HALF CLAMP
ATTACHED WITH 2-3/4" STAINLESS
STEEL ANCHORS, MAX. 6' VERTICAL
SPACING.



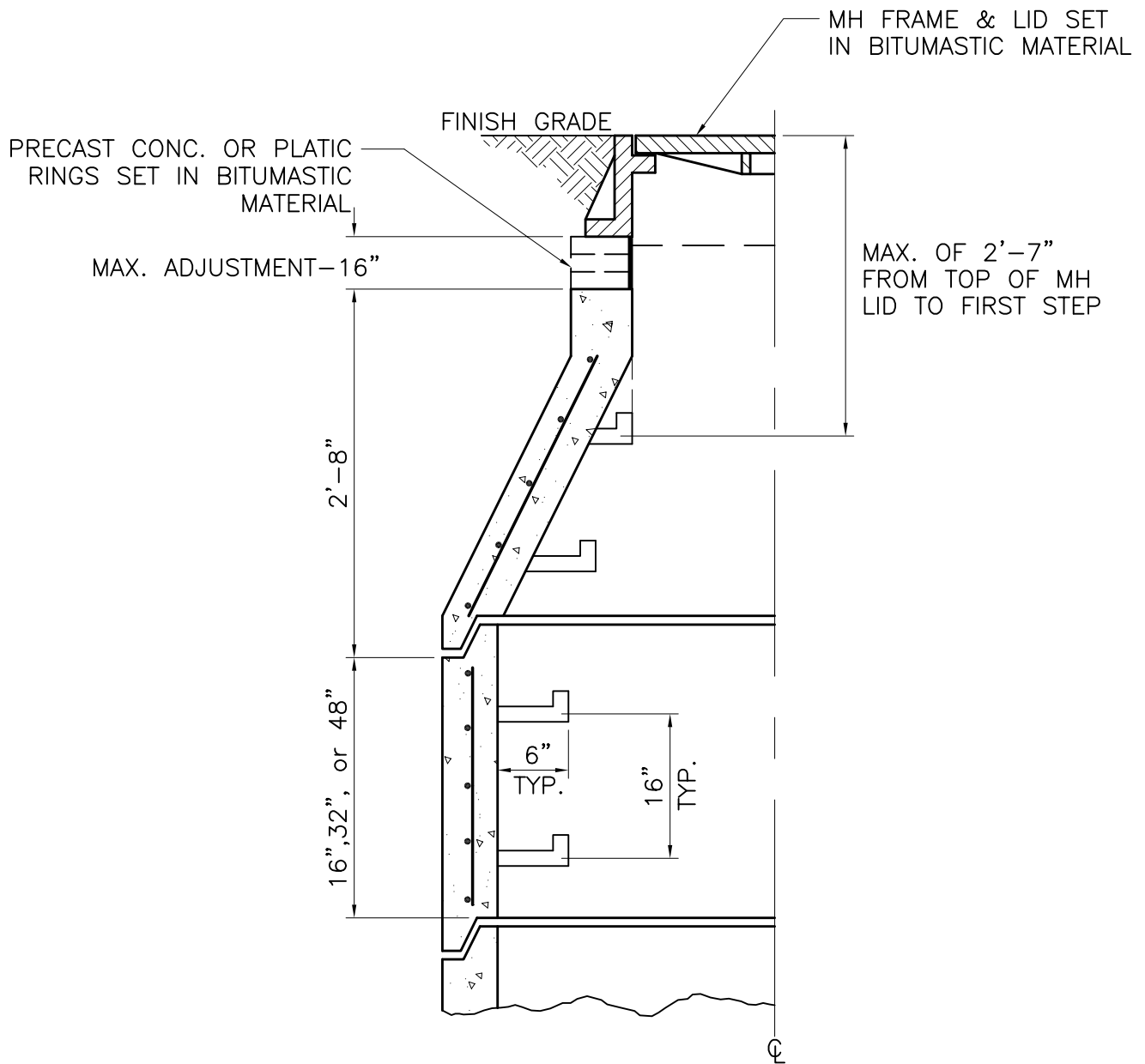
NOTES:

1. DROP INLET PIPE TO BE SAME SIZE AND MATERIAL AS SEWER MAIN.
2. ALIGNMENT OF TEE: DROP INLET PIPE AND LONG ELBOW MAY BE ADJUSTED TO MAXIMUM OF 5% DEFLECTION TO COMPENSATE FOR SLOPE OF SEWER LINE.
3. PIPE MATERIAL IN THE DROP ASSEMBLY SHALL CONFORM TO SECTION 505.2.b OF THE STANDARD SPECIFICATIONS.
4. DROP ASSEMBLY SHALL UTILIZE MECHANICAL COUPLINGS. THE COUPLINGS SHALL BE A MEGALUG MECHANICAL JOINT RESTRAINT, OR APPROVED EQUAL.

<i>RAS</i>	07/01/20
Approved	Date
Revisions	



DEEP DROP MANHOLE



NOTE:

IF MORE THEN 16" OF ADJUSTMENT IS NEEDED, REMOVE CONE SECTION AND ADD OR REMOVE BARREL SECTIONS AS NECESSARY.

BARREL SECTION

<i>RAS</i>	07/01/20
Approved	Date
Revisions	



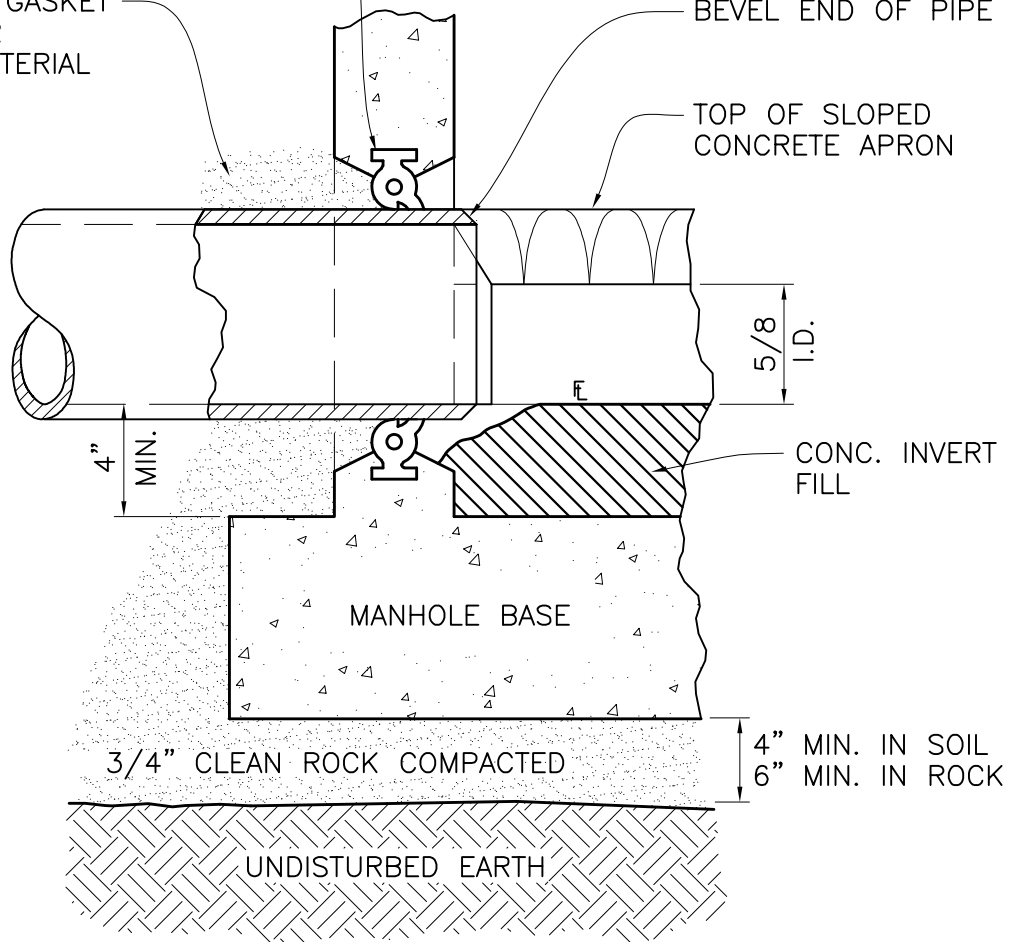
MANHOLE ADJUSTMENT

WATERTIGHT FLEXIBLE GASKET
"A-LOK" OR EQUAL

INITIAL FILL AT GASKET
WITH GRANULAR
EMBEDMENT MATERIAL


BEVEL END OF PIPE

TOP OF SLOPED
CONCRETE APRON



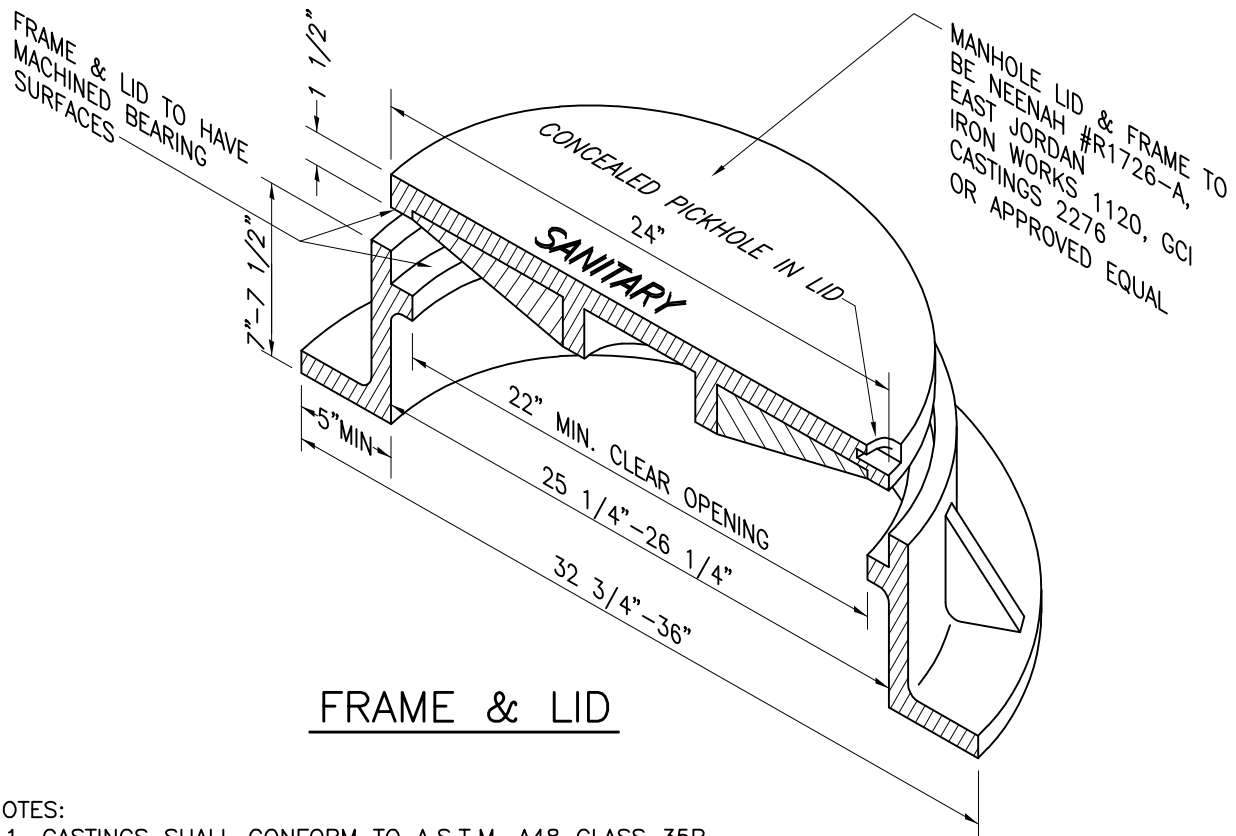
NOTE:

1. BITUMINOUS COATING ON EXTERIOR SURFACE OF MANHOLE SHALL NOT COME IN CONTACT WITH PIPE GASKET.
2. FOR CAST-IN-PLACE CONCRETE MANHOLES OR PRE-CAST WITH BOX-OUTS, THE PIPE GASKET SHALL BE A RUBBER LABYRINTH WATERSTOP WITH STAINLESS STEEL CLAMPING BANDS LOCATED AT CENTER OF WALL AND THE SPACE BETWEEN PIPE & WALL COMPLETELY GROUTED WITH NONSHRINKING MORTAR.
3. PIPE MAY PROJECT 1" MAXIMUM PAST INSIDE WALL OF MANHOLE. NO CONTACT BETWEEN PIPE & INVERT MAY OCCUR.

 Approved	07/01/20 Date
Revisions	

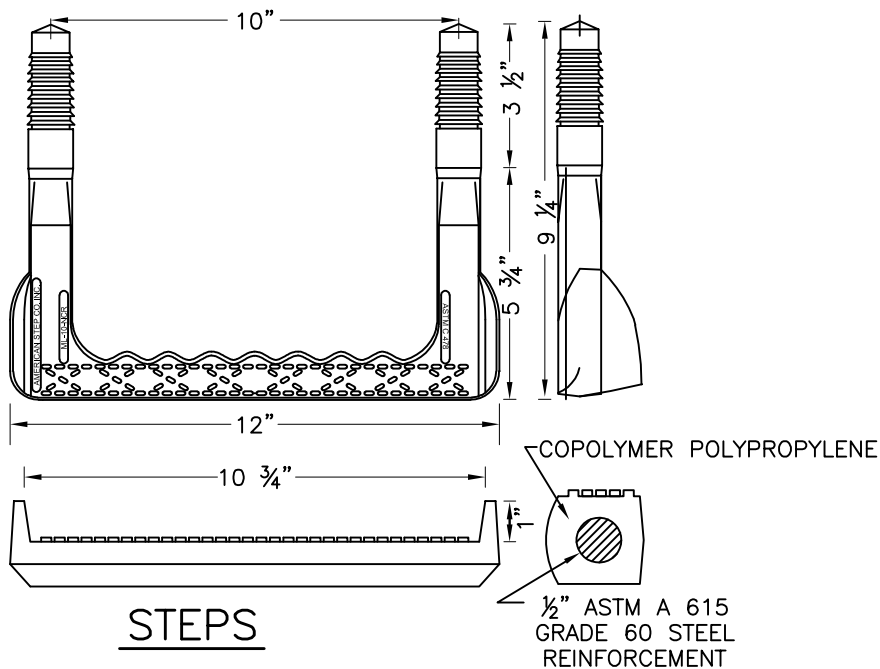



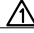
MANHOLE GASKET (Pipe Gasket Detail)



NOTES:

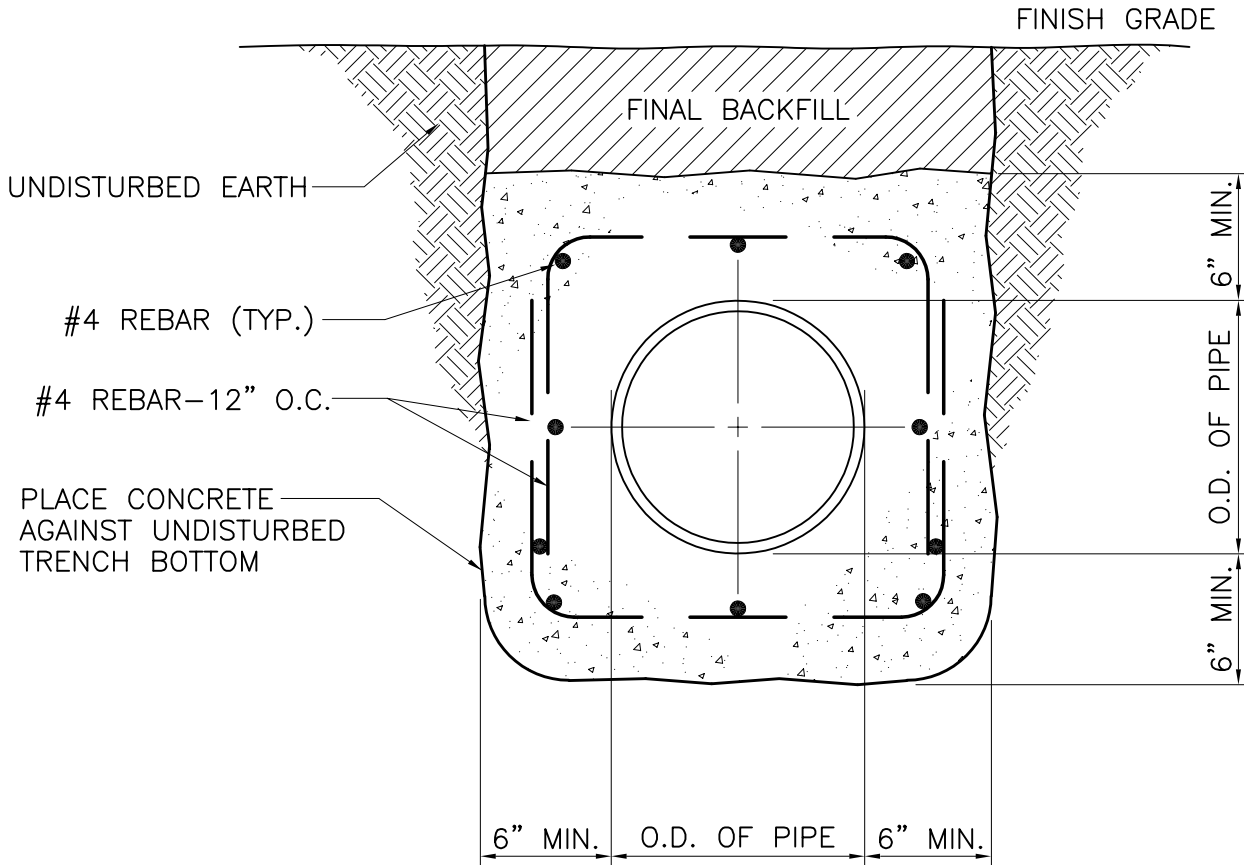
1. CASTINGS SHALL CONFORM TO A.S.T.M. A48 CLASS 35B.
2. LIDWEIGHT 135 lbs. ±5%. TOTAL WEIGHT OF 350 lbs. ±5%.
3. WATERTIGHT LID AND FRAME TO BE NEENAH #R-1916-F, OR APPROVED EQUAL
4. MANHOLE STEP AMERICAN ML-10-NCR OR APPROVED EQUAL
5. BOLT DOWN LIDS SHALL HAVE FRAMES BOLTED TO THE CONE SECTION



	07/01/20
Approved	Date
Revisions	
	Revised casting weight



MANHOLE CASTINGS
(Frame, Lid & Steps)



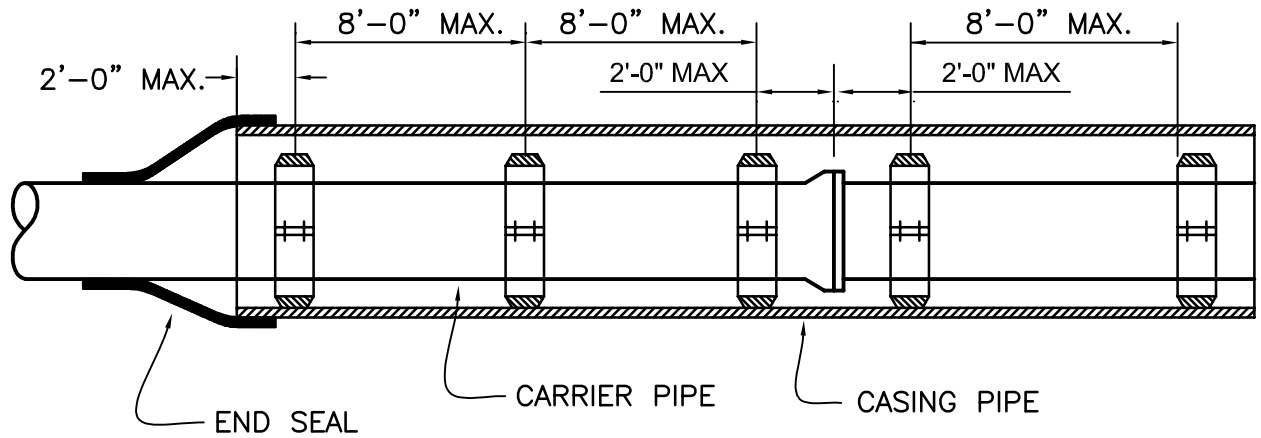
NOTES:

1. FOR PIPE LARGER THAN 12" DIAMETER THE MINIMUM CONCRETE COVER SHALL BE 8" WITH # 5 REBAR @ 12" O.C. EACH WAY.
2. BRACE OR TIE PIPE TO PREVENT FLOTATION OR DEFLECTION, DURING CONCRETE PLACEMENT.
3. VERTICAL CLEARANCE BETWEEN SEWER AND WATER MAINS SHALL BE A MINIMUM OF 2 FEET.

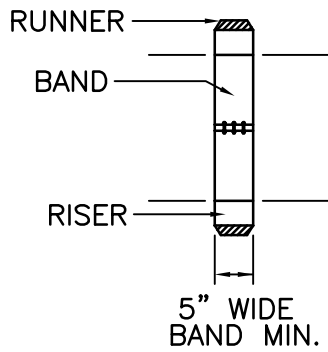
<i>RAS</i>	07/01/20
Approved	Date
Revisions	



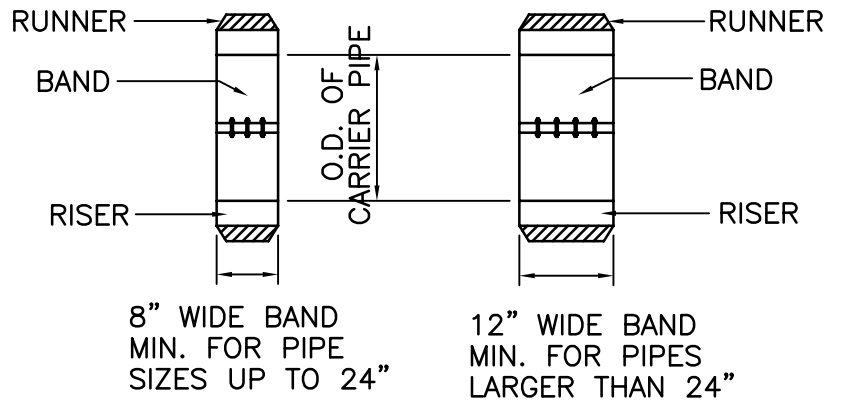
PIPE ENCASEMENT (Concrete)



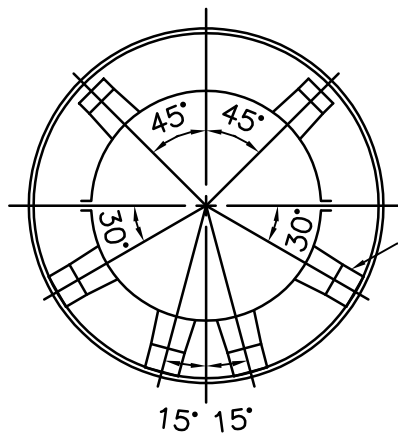
TYPE I SPACERS



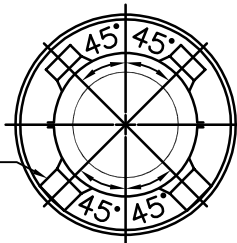
TYPE II SPACERS




SIZES 14" THRU 36"



SIZES 4" THRU 12"

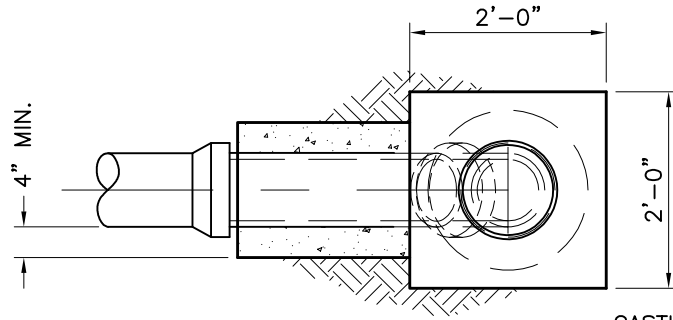


RISER

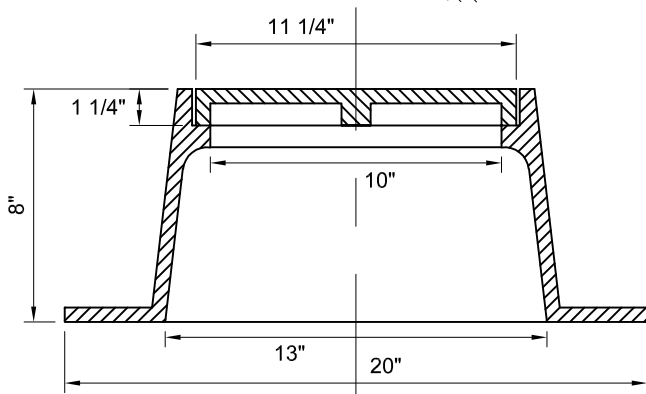
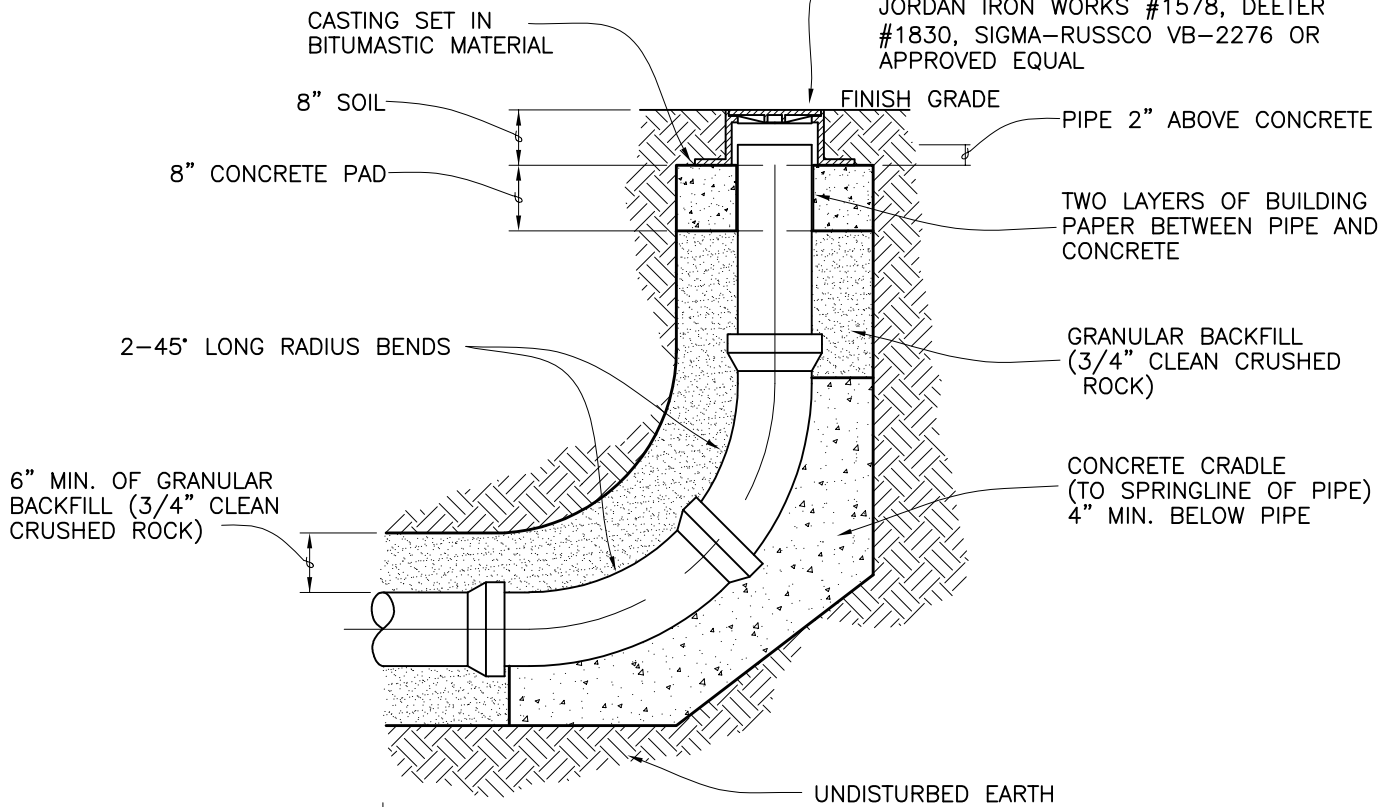
 Approved	07/01/20
	Date
Revisions	



PIPE ENCASEMENT
(Steel)




CASTING WEIGHT 90 lbs ±5%. (NO VENT HOLES OR OPEN PICK HOLES) NEENAH #R-1976, GCI CASTINGS #G1000, EAST JORDAN IRON WORKS #1578, DEETER #1830, SIGMA-RUSSCO VB-2276 OR APPROVED EQUAL



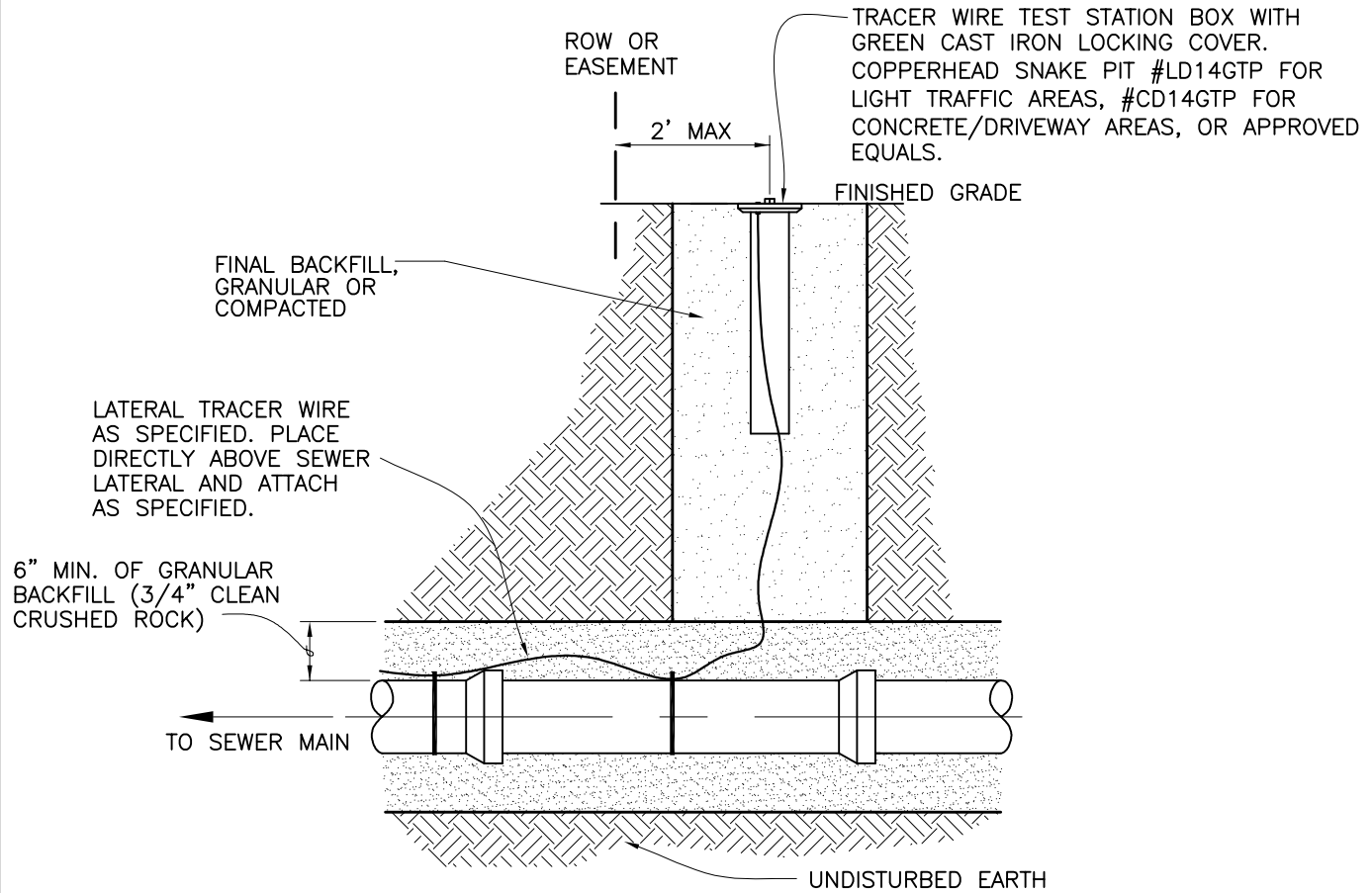
FRAME & LID

NOTE:
DISTANCE FROM CENTER OF DOWNSTREAM MANHOLE TO CENTER OF CLEANOUT SHALL BE 150 FEET OR LESS.

 Approved	07/01/20
	Date
Revisions	



STANDARD CLEANOUT



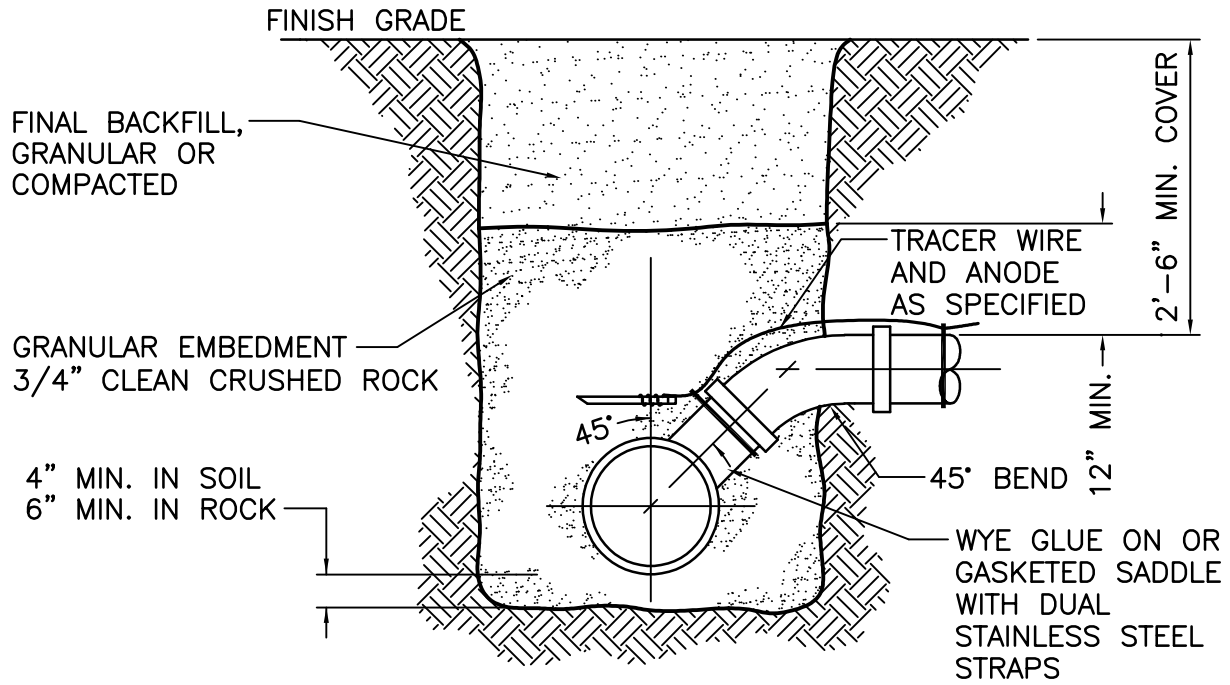
1. TRACER WIRE TEST STATIONS FOR NEW CONSTRUCTION SHALL EXTEND 1' ABOVE THE PROPOSED FINAL GRADE USING SNAKEPIT #LD14GTP-ADJ OR APPROVED EQUAL. UPON COMPLETION OF FINAL GRADING, CONTRACTOR SHALL ADJUST THE TEST STATION BOX TO MEET FINAL GRADE.

<i>RAS</i>	07/01/20
Approved	Date
Revisions	



STANDARD TRACER WIRE TEST STATION

12A



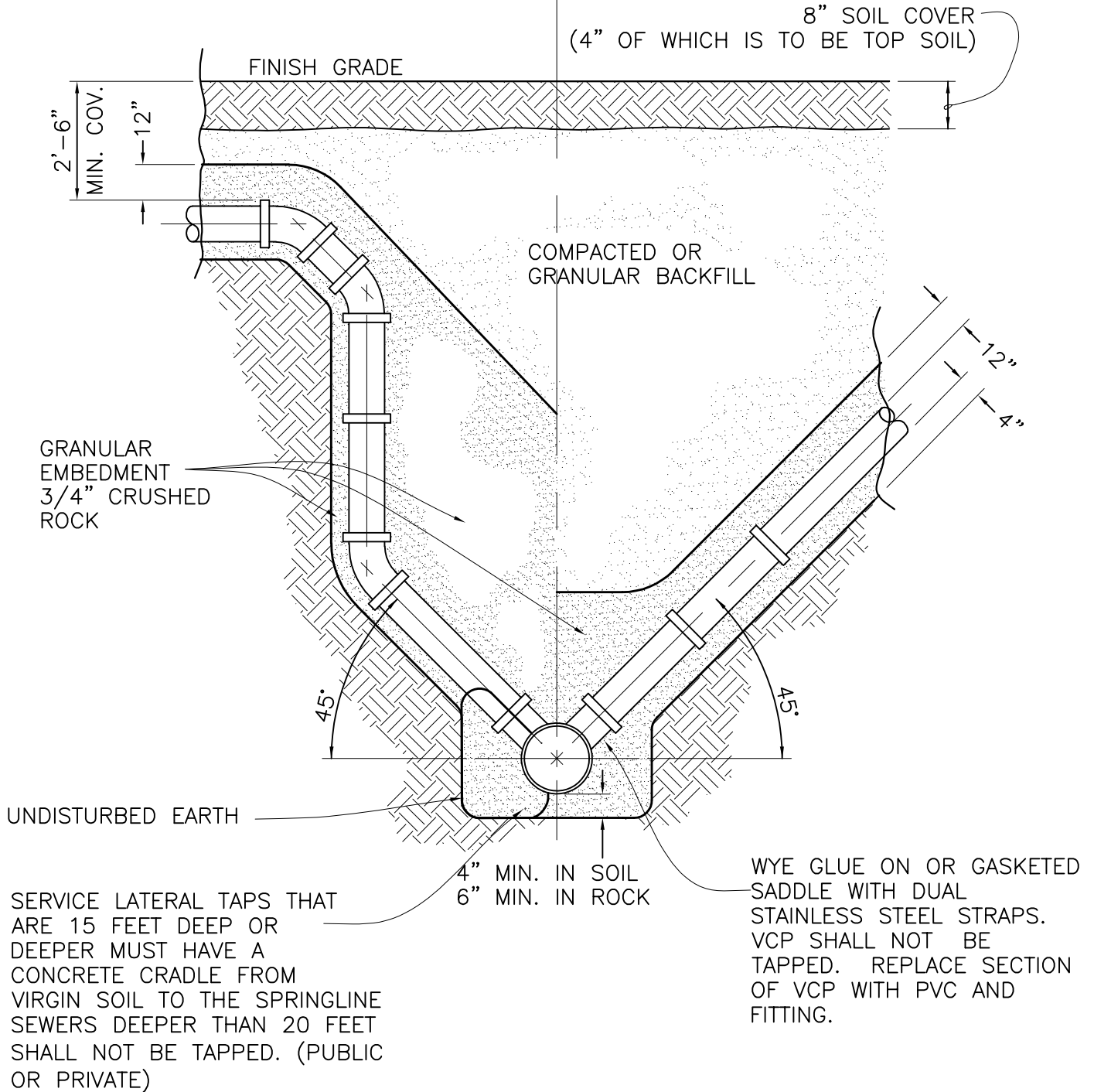
NOTES:

1. VCP PIPES SHALL NOT BE TAPPED. REPLACE SECTION OF VCP WITH PVC AND FITTING.

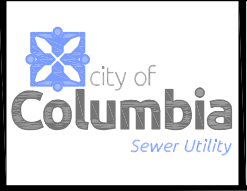
<i>RAS</i>	07/01/20
Approved	Date
Revisions	



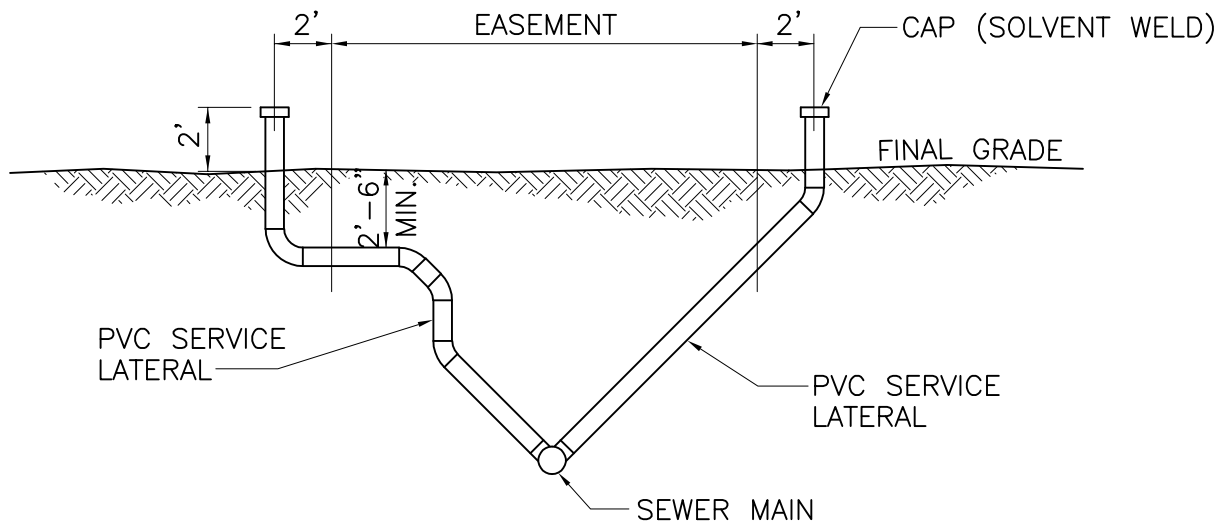
STANDARD
SERVICE CONNECTION



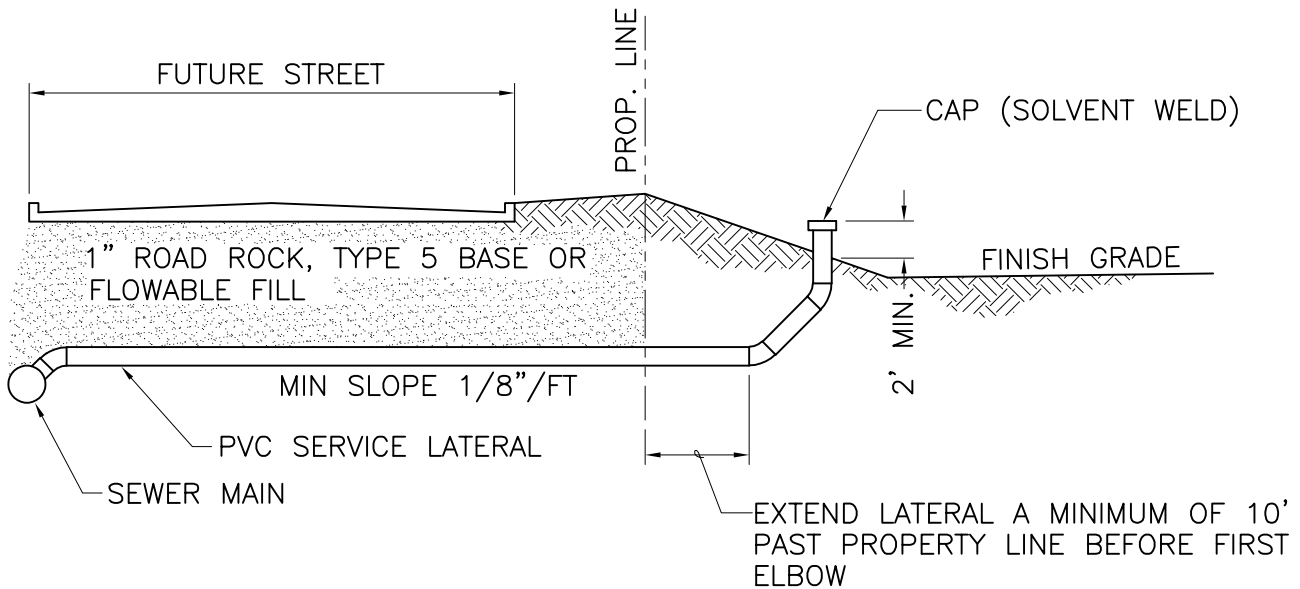
<i>RAS</i> Approved	07/01/20 Date
	Revisions



DEEP SERVICE CONNECTION



SERVICE LATERAL EXTENSION FROM DEEP SEWER



SERVICE LATERAL EXTENSION UNDER FUTURE STREETS

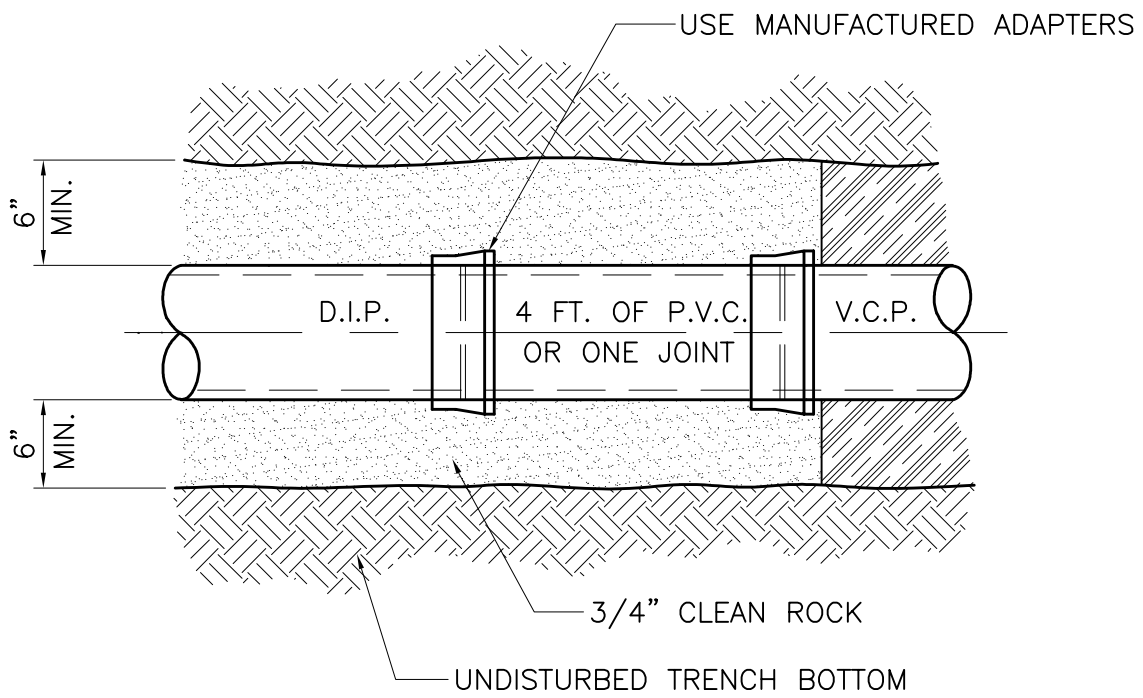
NOTE:

THIS DETAIL IS FOR USE WHENEVER LATERALS ARE EXTENDED FROM THE SEWER MAIN DURING NEW CONSTRUCTION. IN ALL CASES WHEN SERVICE LATERALS ARE EXTENDED THE PIPE SHALL EXTEND A MINIMUM OF TWO (2) FEET ABOVE THE PROPOSED FINAL GRADE AND SHALL BE FITTED WITH A CAP THAT IS SOLVENT WELDED IN PLACE.

<i>RAS</i> Approved	07/01/20
	Date
Revisions	



LATERAL EXTENSION FOR NEW CONSTRUCTION

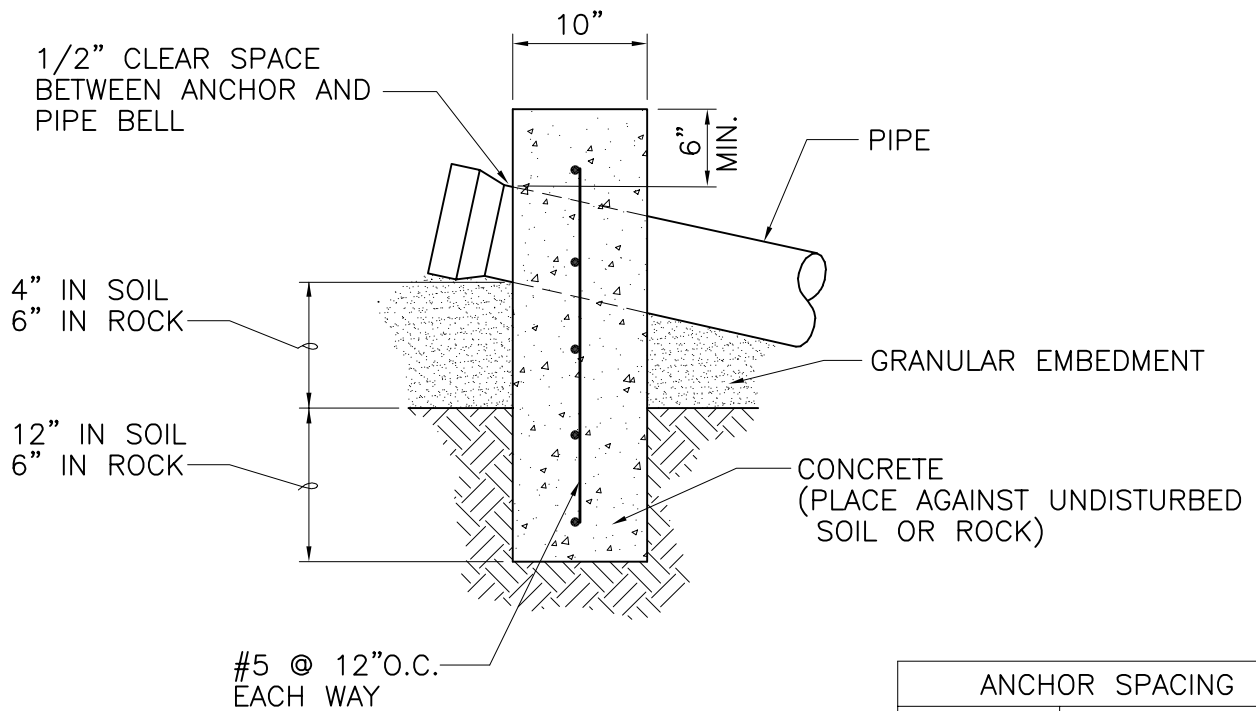
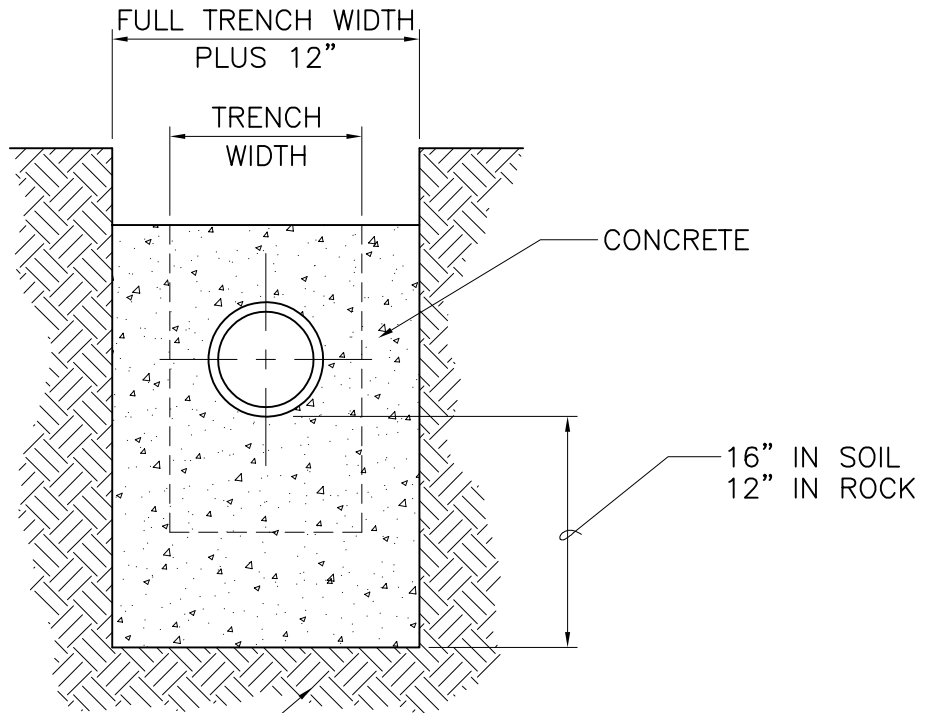


<i>RAS</i>	07/01/20
Approved	Date
Revisions	



V.C.P. / D.I.P. CONNECTION

16



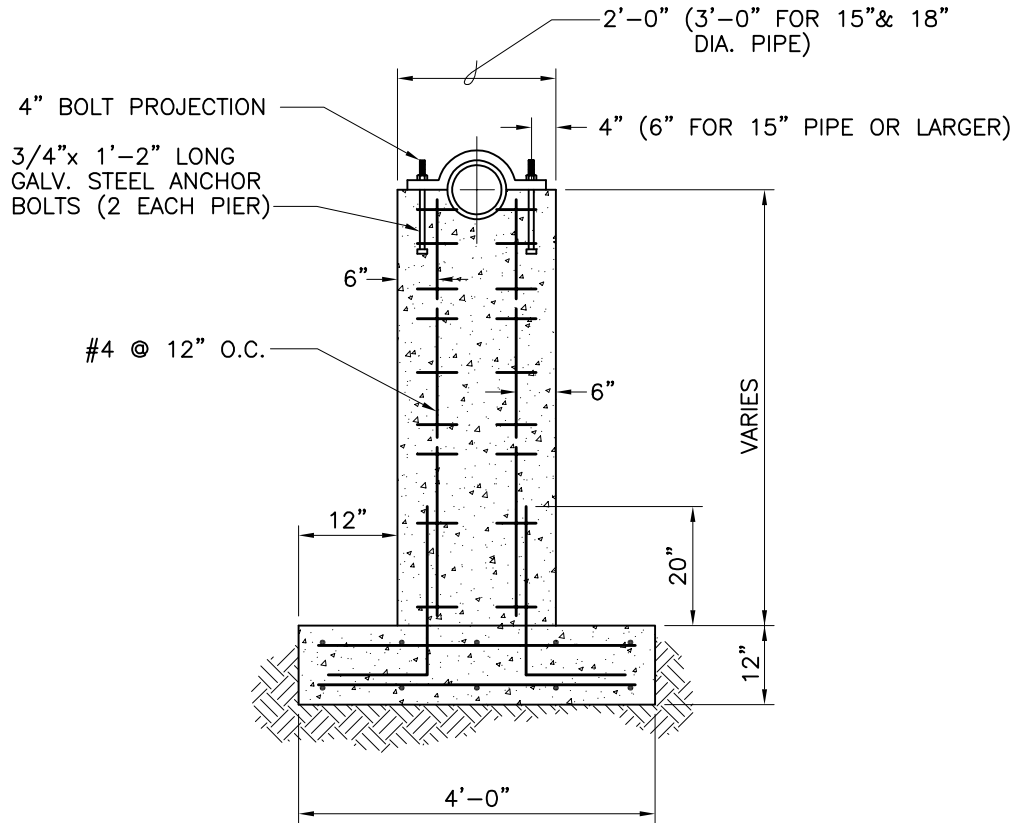
SIDE ELEVATION

ANCHOR SPACING	
SLOPE	MAX. DISTANCE
20%–35%	36'
35%–50%	24'
>50%	12' OR ONE PER JOINT OF PIPE

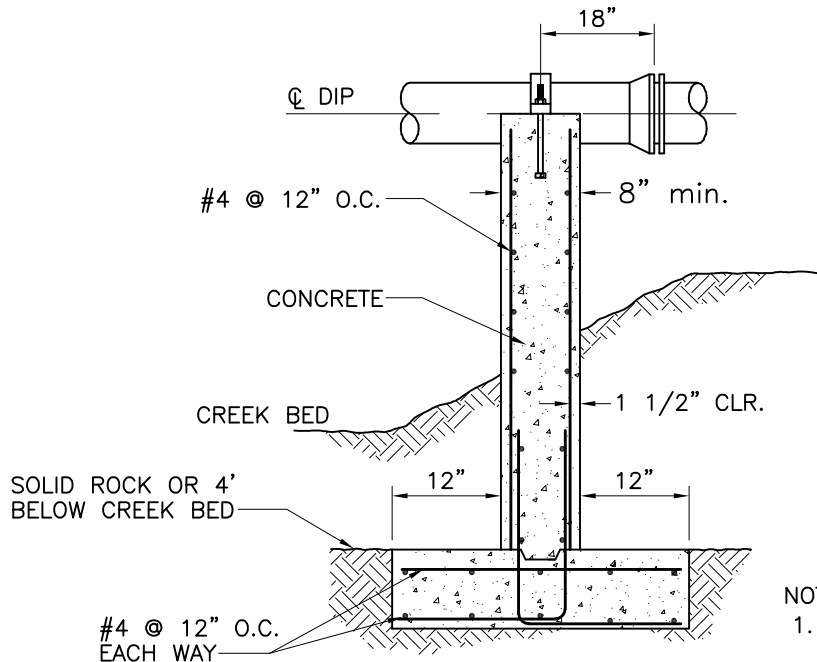
<i>PAS</i>	07/01/20
Approved	Date
Revisions	



ANCHOR DETAIL




FRONT ELEVATION



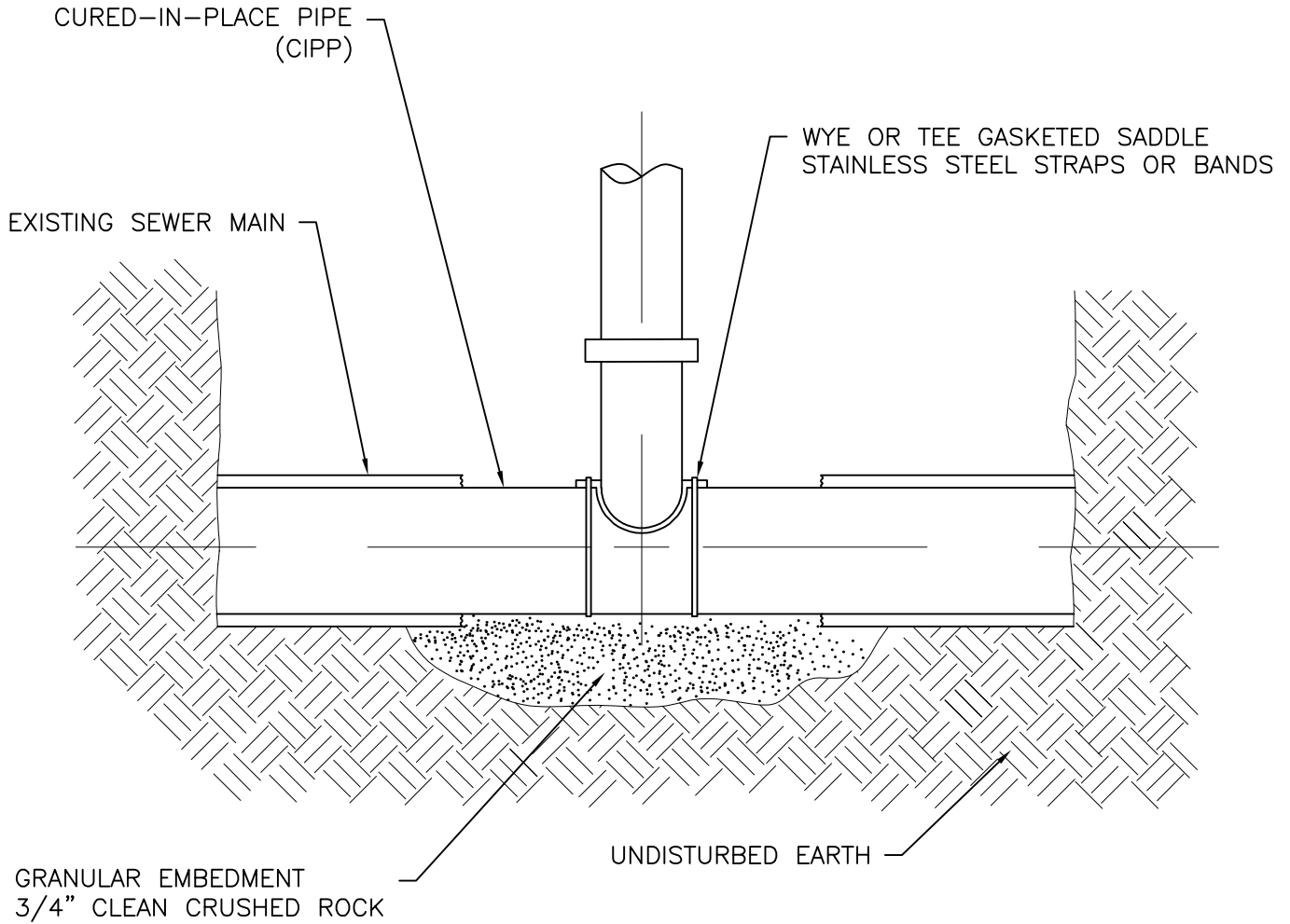
SIDE ELEVATION

- NOTE:
1. PIERS SHALL BE LOCATED AS NEAR TO THE BANK AS POSSIBLE.
 2. TOP OF FOOTING AT SOLID ROCK OR 4 FT. BELOW CREEK BED.

 Approved _____ Date 07/01/20	_____ Date
	Revisions




PIER DETAIL



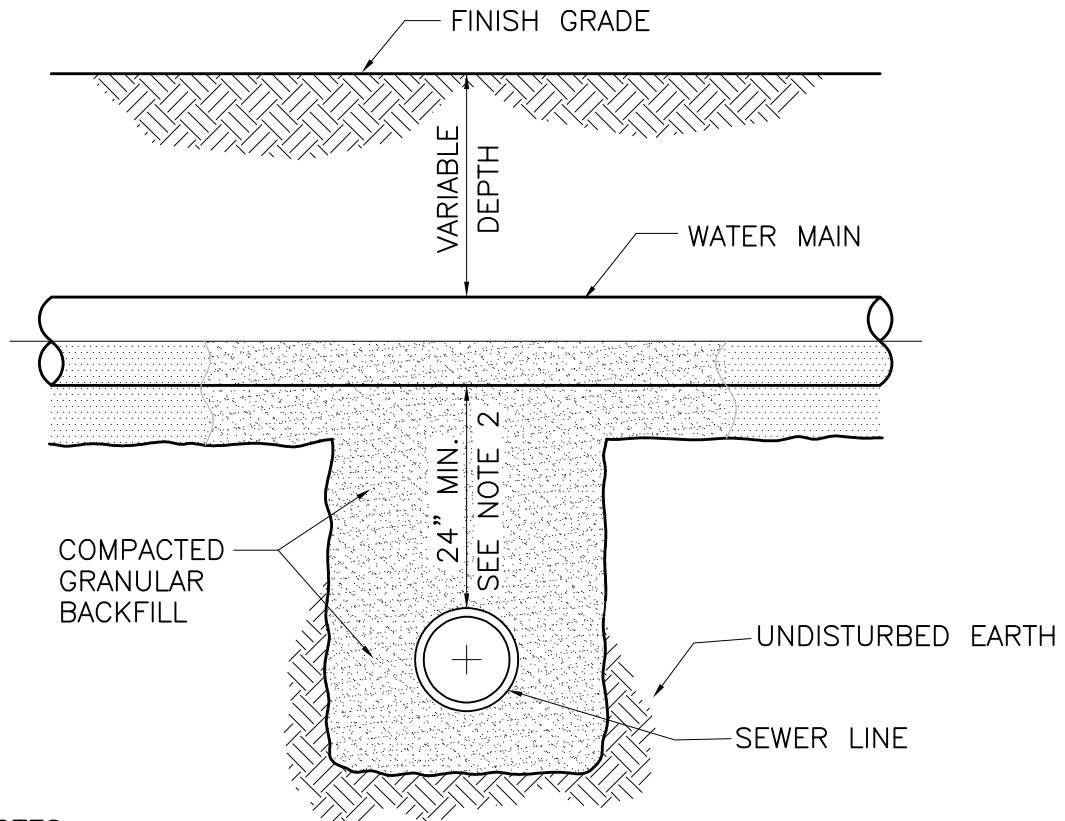
NOTES:

1. REFER TO THIS DETAIL TO CONNECT NEW SERVICE LATERALS OR TO REPLACE EXISTING LATERAL CONNECTIONS TO SEWERS LINED WITH CIPP.
2. REMOVE VCP OR OTHER HOST PIPE FROM AREA TO BE TAPPED. AREA SHALL BE SANDED TO PROVIDE A SMOOTH FLAT SURFACE FOR THE INSTALLATION OF THE SADDLE.
3. IF A NEW TAP IS INSTALLED A HOLE SHALL BE NEATLY CUT WITH AN APPROPRIATE SIZED HOLE SAW AND TAPPED AT A 45 DEGREE ANGLE PER DETAIL 13 STANDARD SERVICE CONNECTION.
4. IF REPLACING A TAP THE HOLE IN THE MAIN, REGARDLESS OF TAP POSITION, SHALL BE CLEANED AND TRIMMED TO THE APPROPRIATE SIZE. IF THE HOLE IS TOO LARGE FROM THE TAP CUTTING PROCESS THE NEXT SIZE UP TAPPING SADDLE SHALL BE USED AND REDUCED IN THE VERTICAL SECTION OF PIPE BEFORE CONNECTING TO THE EXISTING LATERAL.
5. IN ADDITION TO THE GASKETED SADDLE A FAST CURE SEALANT SUCH AS 3M 4200 OR APPROVED EQUAL SHALL BE USED.

 Approved	07/01/20 Date
	Revisions



SERVICE LATERAL CONNECTION TO CURED-IN-PLACE PIPE (CIPP)



NOTES:

1. SEWERS CROSSING WATER MAINS SHALL BE LAID TO PROVIDE A VERTICAL SEPARATION THAT IS NO LESS THAN 24 INCHES BETWEEN THE OUTSIDE OF THE WATER MAIN AND THE OUTSIDE OF THE SEWER MAIN.
2. THE CROSSING SHALL BE ARRANGED SO THAT THE SEWER LINE CROSSES BELOW THE WATER LINE. CROSSINGS IN WHICH THE SEWER LINE IS ABOVE THE WATER LINE WILL ONLY BE APPROVED ON A CASE BY CASE BASIS.
3. THE CROSSING SHALL BE ARRANGED SO THAT THE ENDS OF A FULL JOINT OF PIPE WILL BE EQUIDISTANT FROM THE WATER MAIN AND AS FAR AS POSSIBLE FROM THE WATER MAIN JOINTS.
4. IF THE VERTICAL SEPARATION BETWEEN THE WATER MAIN AND SEWER MAIN IS LESS THAN 18 INCHES, THE SEWER MAIN SHALL BE D.I.P. OR PRESSURE RATED PVC PIPE WITH A PRESSURE RATING THAT IS EQUAL TO OR GREATER THAN THE WATER MAIN. THE D.I.P. OR PRESSURE RATED P.V.C. MUST BE EXTENDED A DISTANCE 10 FEET ON BOTH SIDES OF THE WATER MAIN. THE TRANSITION BETWEEN PIPE MATERIALS SHALL BE ACCOMPLISHED WITH A RESTRAINED MECHANICAL TYPE JOINT OR FITTING. FLEXIBLE TYPE (FERNCO) FITTINGS ARE NOT ACCEPTABLE.
5. PRESSURE SEWER LINE AND WATER LINE CROSSINGS SHALL BE REVIEWED ON A CASE BY CASE BASIS.

<i>RAS</i> Approved	07/01/20 Date
Revisions	



GRAVITY SEWER AND WATER LINE CROSSING

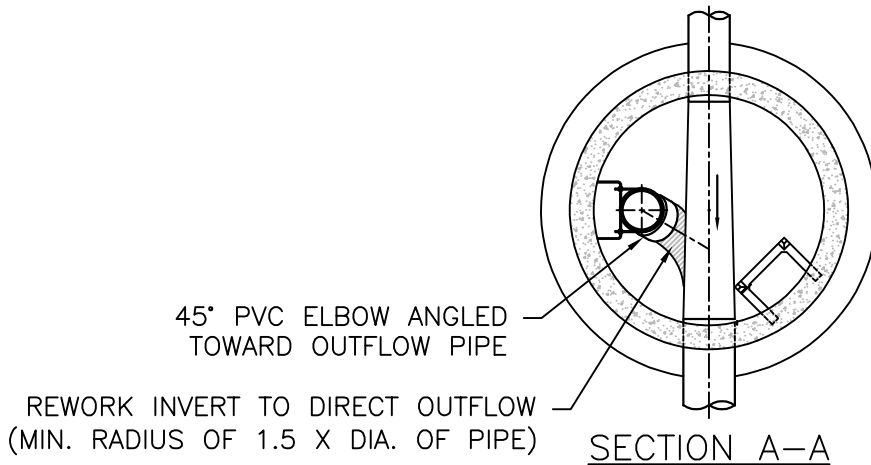
NOTES:

1. INSIDE DROP CONNECTION ONLY ALLOWED WITH PUBLIC WORKS DEPT. APPROVAL, WHEN PW DEPT. DEEMS UNFEASIBLE, UNPRACTICAL OR DANGEROUS TO PROVIDE OUTSIDE DROP.

2. DROP INLET PIPE TO BE SAME SIZE AND MATERIAL AS SEWER LINE.

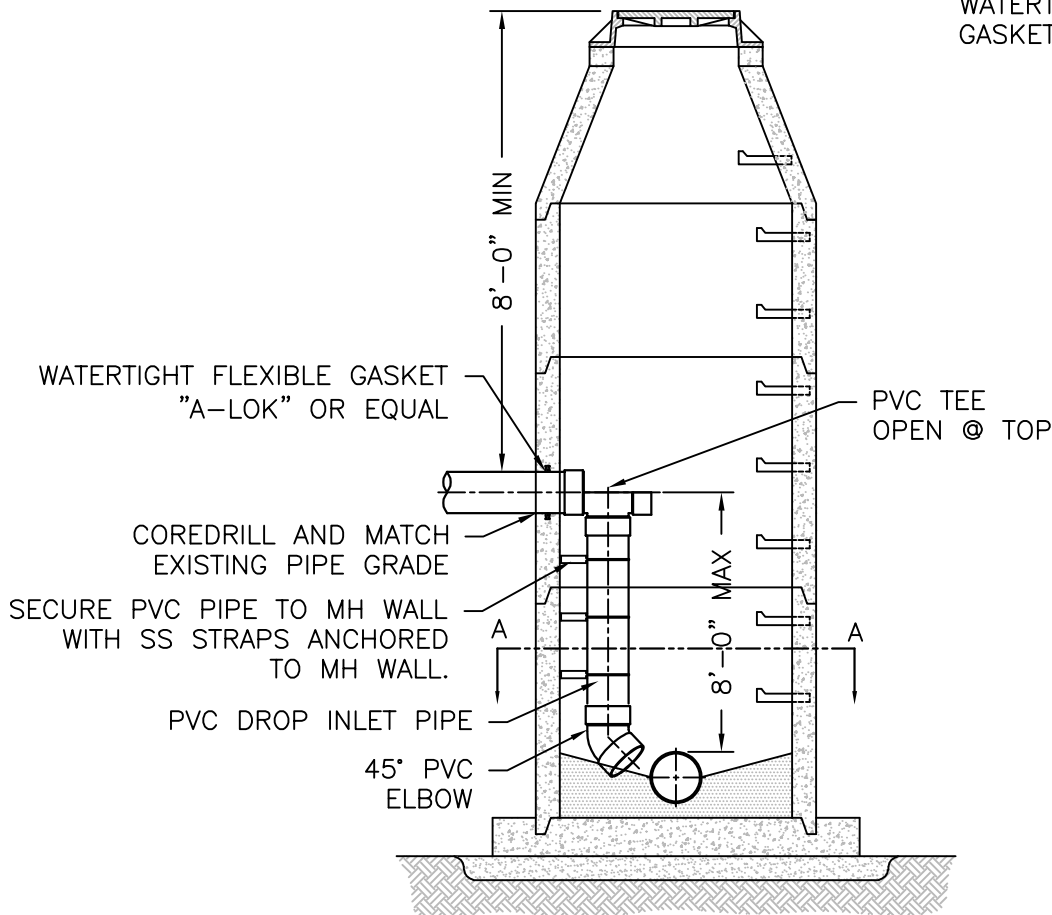
3. ALIGNMENT OF TEE: DROP INLET PIPE MAY BE ADJUSTED TO A MAXIMUM OF 5% DEFLECTION.

4. ANNULAR SPACE AROUND NEW PIPE TO BE SEALED WITH NON-SHRINK GROUT, LINK SEAL, OR WATERTIGHT AND FLEXIBLE GASKET.



REWORK INVERT TO DIRECT OUTFLOW
(MIN. RADIUS OF 1.5 X DIA. OF PIPE)

SECTION A-A



WATERTIGHT FLEXIBLE GASKET
"A-LOK" OR EQUAL

PVC TEE
OPEN @ TOP

COREDRIll AND MATCH
EXISTING PIPE GRADE

SECURE PVC PIPE TO MH WALL
WITH SS STRAPS ANCHORED
TO MH WALL.

PVC DROP INLET PIPE

45° PVC
ELBOW

8'-0" MIN

8'-0" MAX

8'-0"

A

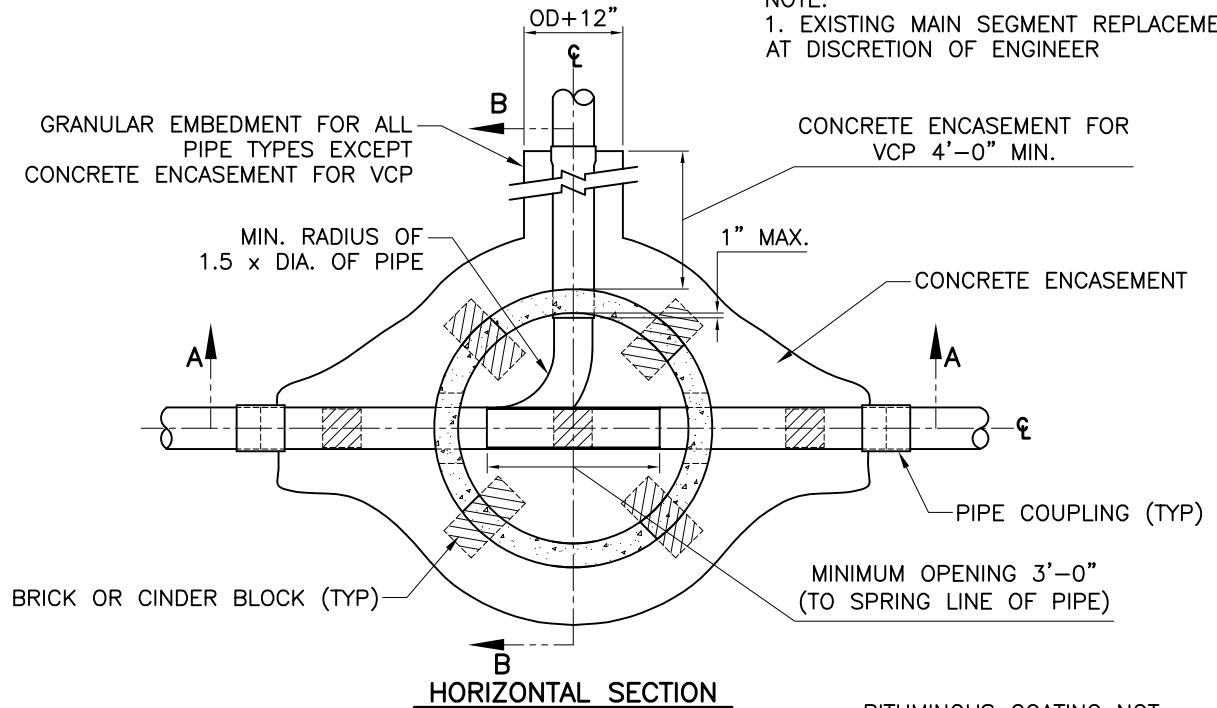
A

<i>RAS</i>	07/01/20
Approved	Date
Revisions	

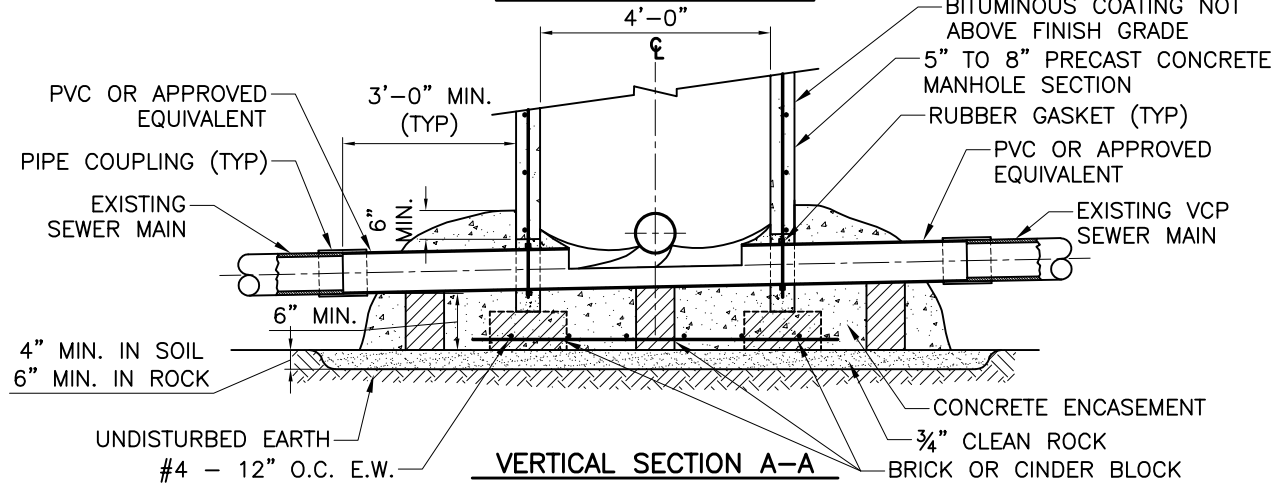


INSIDE DROP MANHOLE CONNECTION

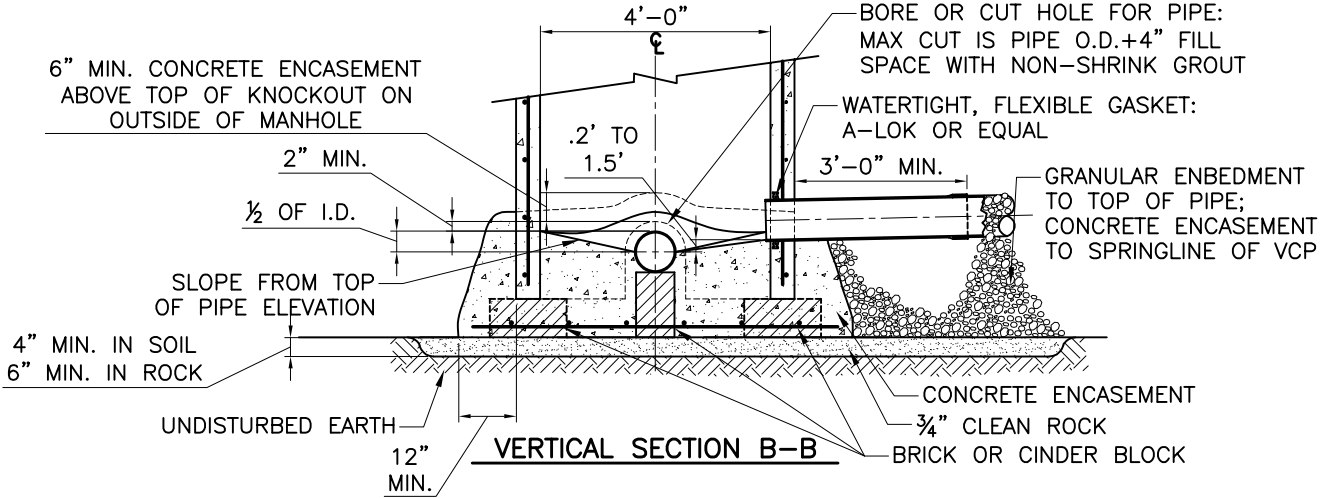
NOTE:
1. EXISTING MAIN SEGMENT REPLACEMENT
AT DISCRETION OF ENGINEER




HORIZONTAL SECTION



VERTICAL SECTION A-A



VERTICAL SECTION B-B

 Approved _____ Date _____	07/01/20
	Revisions



DOGHOUSE MANHOLE