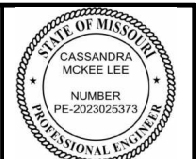
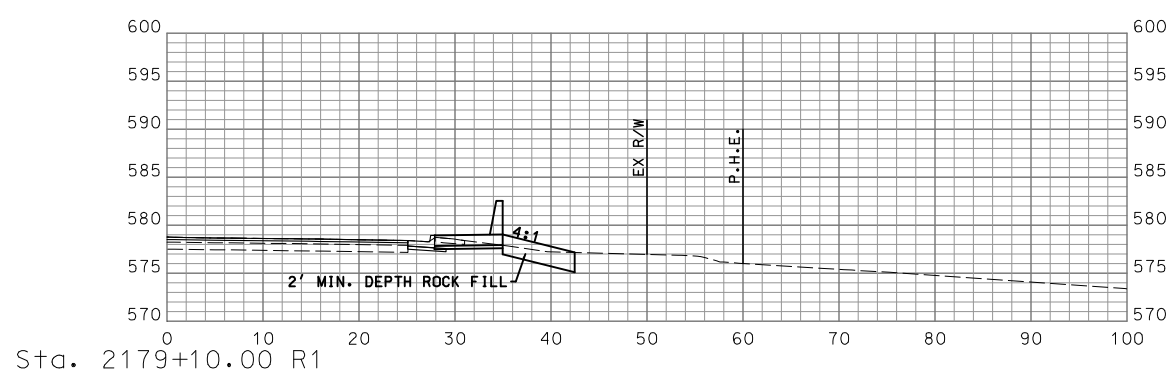
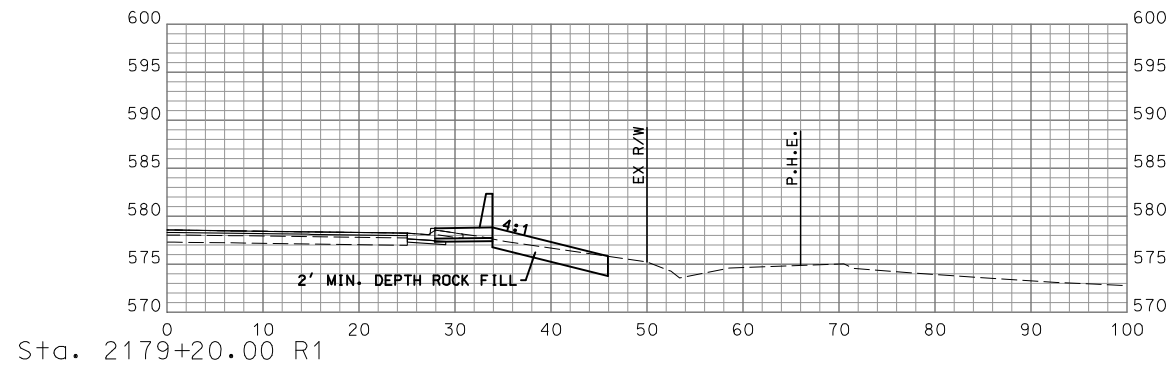
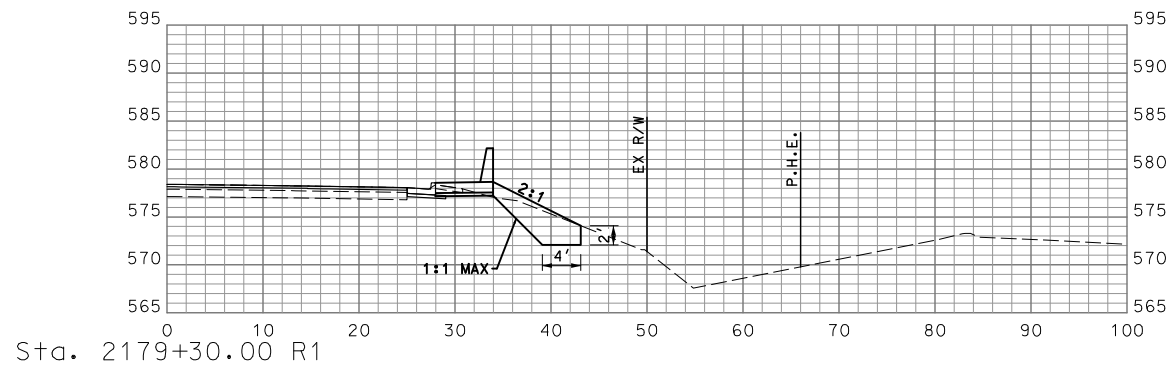
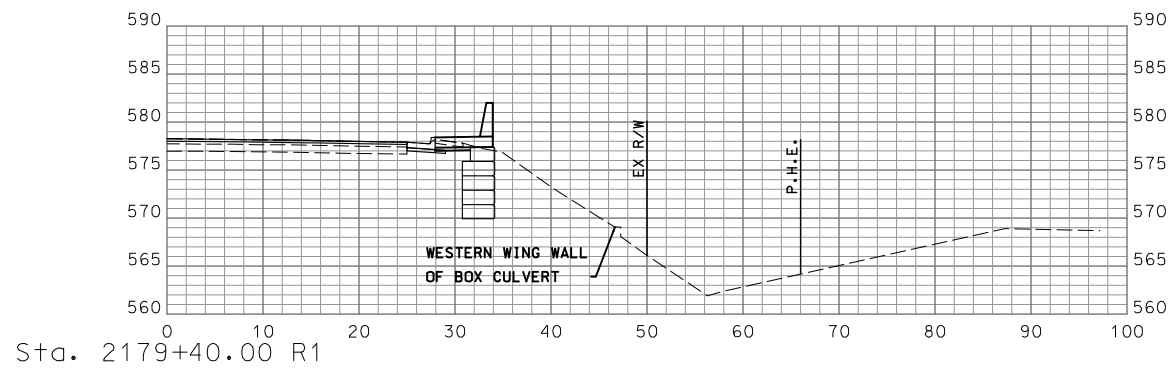


DISCLAIMER
 THE PROFESSIONAL WHOSE SIGNATURE AND PERSONAL SEAL APPEAR HEREON ASSUMES RESPONSIBILITY ONLY FOR WHAT APPEARS ON THIS PAGE, AND DISCLAIMS (PURSUANT TO SECTION 327.411 RSMO) SPECIFICATION, ESTIMATES, REPORTS, OR OTHER DOCUMENTS OR INSTRUMENTS NOT SEALED BY THE UNDERSIGNED PROFESSIONAL RELATING TO OR INTENDED TO BE USED FOR ANY PART OR PARTS OF THE PROJECT TO WHICH THIS PAGE REFERS.



10/14/2024
 Cassandra McKee Lee - Civil
 MO PE-2023025373

1 SHEET ADDED



STA. 2179+10.00 R1 TO STA. 2179+40.00 R1

DATE PREPARED 10/14/2024	
MO ROUTE 366	STATE MO
DISTRICT SL	SHEET NO. 97A
COUNTY ST. LOUIS	
JOB NO. J6S3582	
CONTRACT ID.	
PROJECT NO.	
BRIDGE NO.	

DATE	DESCRIPTION
10/14/24	RETAINING WALL REVISION

MISSOURI HIGHWAYS AND TRANSPORTATION COMMISSION

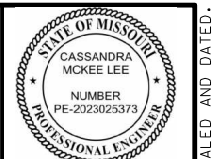
105 WEST CAPITOL
 JEFFERSON CITY, MO 65102
 1-888-ASK-MODOT (1-888-275-6636)

CMT
 © Copyright CMT, Inc.
 CRAWFORD, MURPHY & TILLY, INC.
 ONE MEMORIAL DRIVE, SUITE 500
 ST. LOUIS, MO 63102 (314) 436-5500
 ENGINEERING CORPORATION - 000631

IF A SEAL IS PRESENT ON THIS SHEET IT HAS BEEN ELECTRONICALLY SEALED AND DATED.

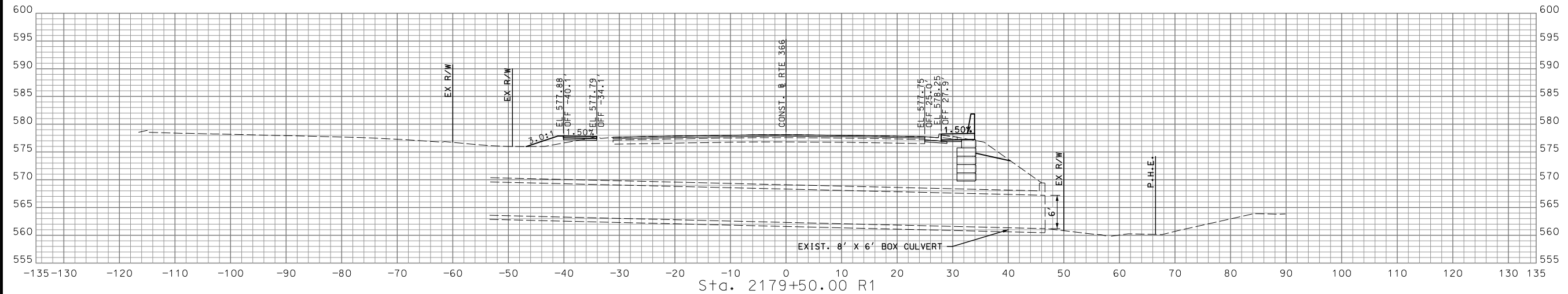
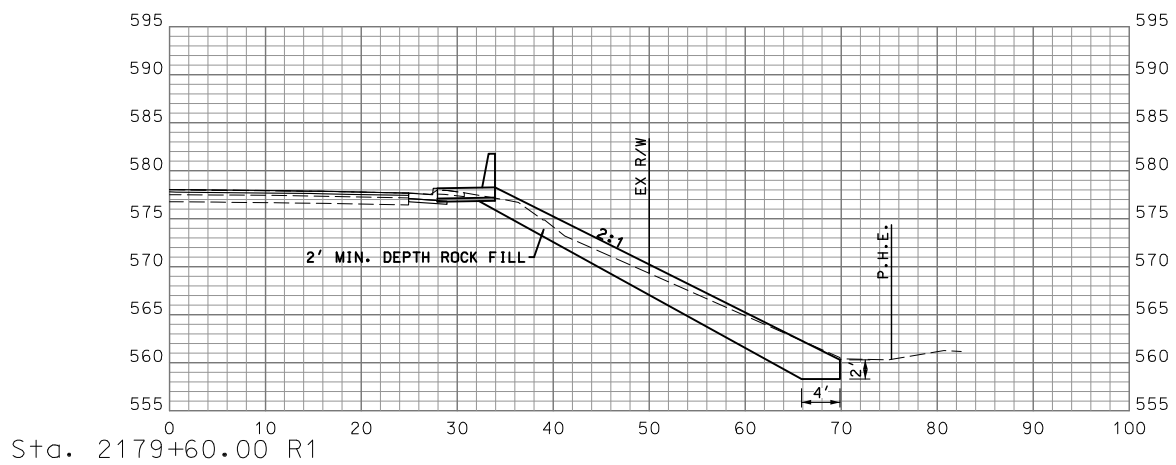
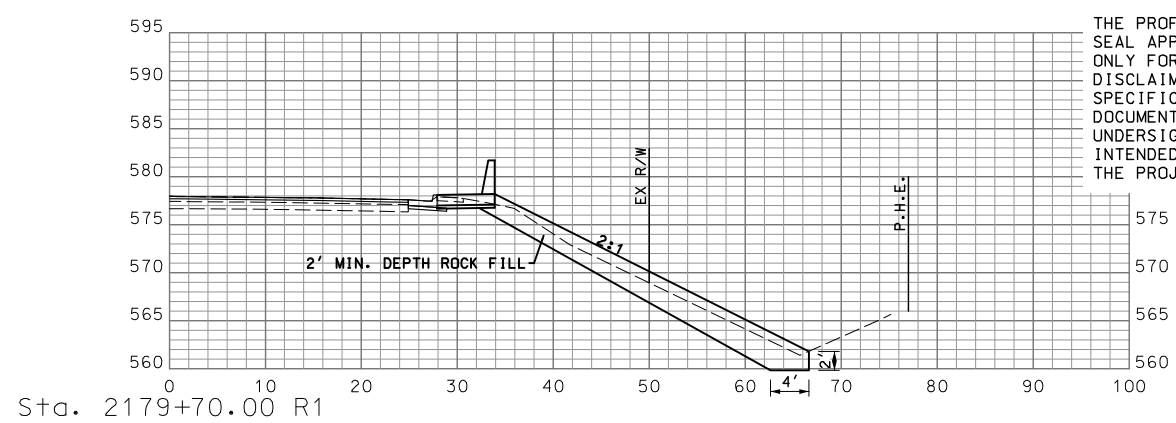
REV.

DISCLAIMER
 THE PROFESSIONAL WHOSE SIGNATURE AND PERSONAL SEAL APPEAR HEREON ASSUMES RESPONSIBILITY ONLY FOR WHAT APPEARS ON THIS PAGE, AND DISCLAIMS (PURSUANT TO SECTION 327.411 RSMO) SPECIFICATION, ESTIMATES, REPORTS, OR OTHER DOCUMENTS OR INSTRUMENTS NOT SEALED BY THE UNDERSIGNED PROFESSIONAL RELATING TO OR INTENDED TO BE USED FOR ANY PART OR PARTS OF THE PROJECT TO WHICH THIS PAGE REFERS.



10/14/2024
 Cassandra McKee Lee - Civil
 MO PE-2023025373

1 SHEET ADDED



DATE PREPARED		10/14/2024	
MO ROUTE	STATE		
366	MO		
DISTRICT	SHEET NO.		
SL	97B		
COUNTY			
ST. LOUIS			
JOB NO.			
J6S3582			
CONTRACT ID.			

PROJECT NO.
 BRIDGE NO.

DATE	DESCRIPTION
10/14/24	RETAINING WALL REVISION

MISSOURI HIGHWAYS AND TRANSPORTATION COMMISSION

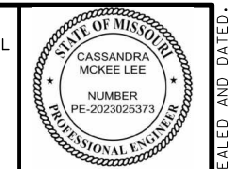
105 WEST CAPITOL
 JEFFERSON CITY, MO 65102
 1-888-ASK-MODOT (1-888-275-6636)

CMT
 © Copyright CMT, Inc.
 CRAWFORD, MURPHY & TILLY, INC.
 ONE MEMORIAL DRIVE, SUITE 500
 ST. LOUIS, MO 63102 (314) 436-5500
 ENGINEERING CORPORATION - 000631

STA. 2179+50.00 R1 TO STA. 2179+70.00 R1

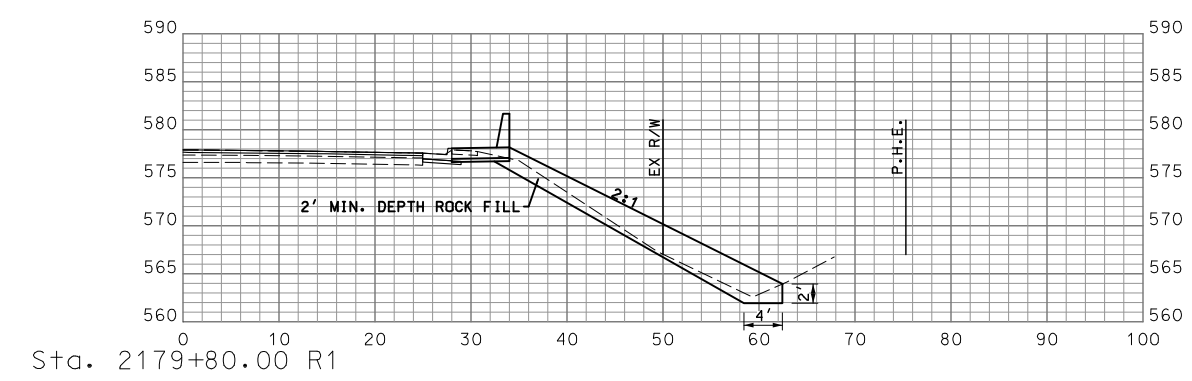
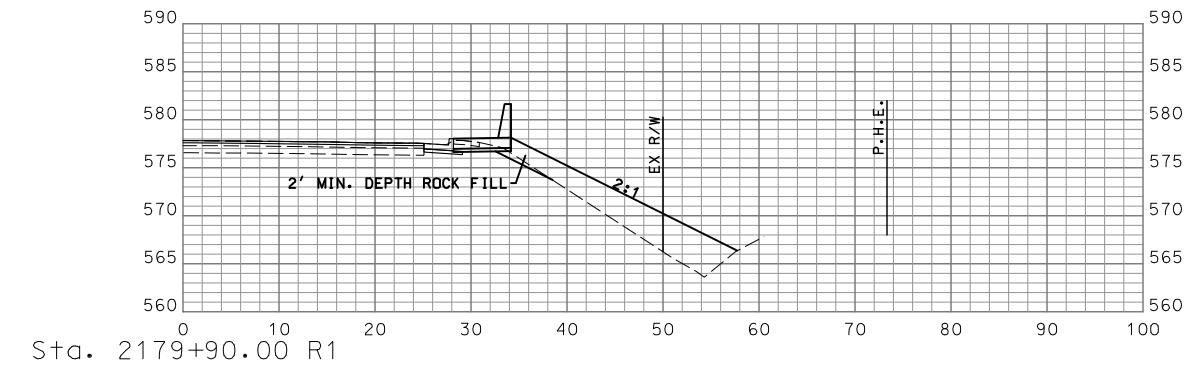
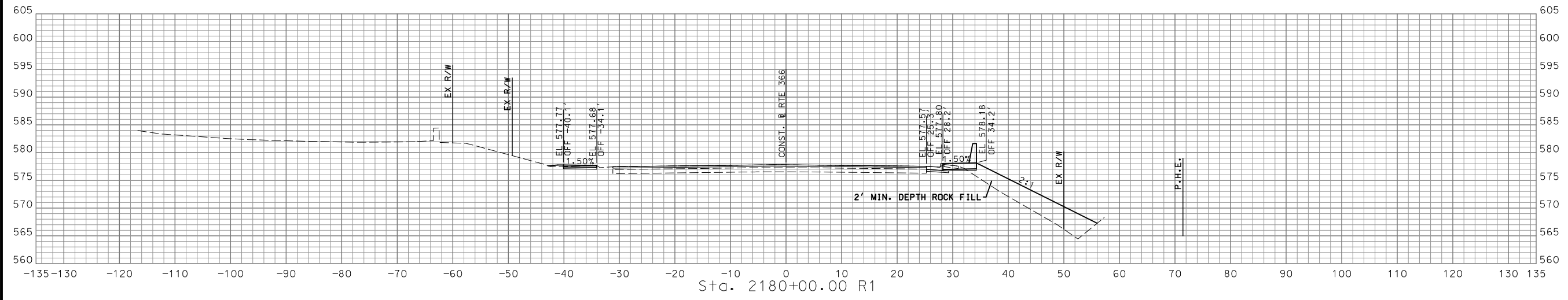
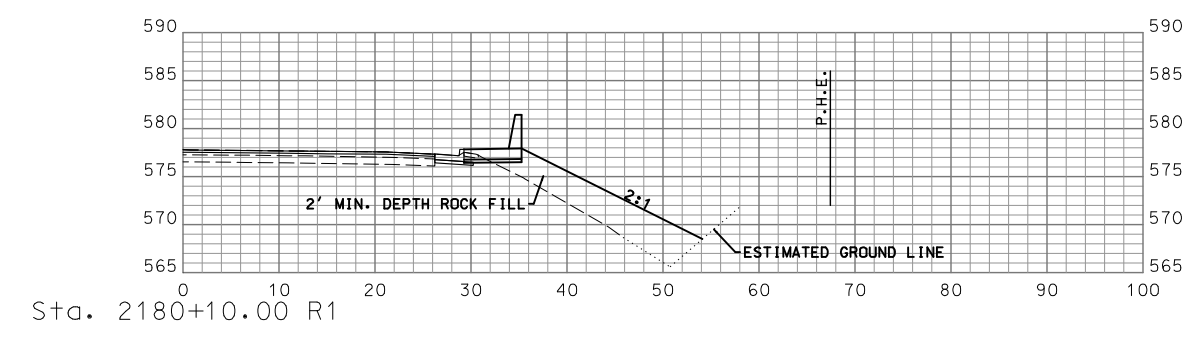
IF A SEAL IS PRESENT ON THIS SHEET IT HAS BEEN ELECTRONICALLY SEALED AND DATED.

DISCLAIMER
 THE PROFESSIONAL WHOSE SIGNATURE AND PERSONAL SEAL APPEAR HEREON ASSUMES RESPONSIBILITY ONLY FOR WHAT APPEARS ON THIS PAGE, AND DISCLAIMS (PURSUANT TO SECTION 327.411 RSMO) SPECIFICATION, ESTIMATES, REPORTS, OR OTHER DOCUMENTS OR INSTRUMENTS NOT SEALED BY THE UNDERSIGNED PROFESSIONAL RELATING TO OR INTENDED TO BE USED FOR ANY PART OR PARTS OF THE PROJECT TO WHICH THIS PAGE REFERS.



10/14/2024
 Cassandra McKee Lee - Civil
 MO PE-2023025373

1 SHEET ADDED



STA. 2179+80.00 R1 TO STA. 2180+10.00 R1

DATE PREPARED		10/14/2024	
MO. ROUTE	STATE	366	MO
DISTRICT	SHEET NO.	SL	97C
COUNTY			
ST. LOUIS			
JOB NO.			
J6S3582			
CONTRACT ID.			
PROJECT NO.			
BRIDGE NO.			

DATE	DESCRIPTION
10/14/24	RETAINING WALL REVISION

MISSOURI HIGHWAYS AND TRANSPORTATION COMMISSION

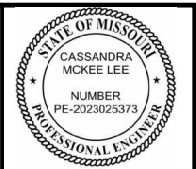
105 WEST CAPITOL
 JEFFERSON CITY, MO 65102
 1-888-ASK-MODOT (1-888-275-6636)

CMT
 © Copyright CMT, Inc.
 CRAWFORD, MURPHY & TILLY, INC.
 ONE MEMORIAL DRIVE, SUITE 500
 ST. LOUIS, MO 63102 (314) 436-5500
 ENGINEERING CORPORATION - 000631

IF A SEAL IS PRESENT ON THIS SHEET IT HAS BEEN ELECTRONICALLY SEALED AND DATED.

REV.

DISCLAIMER
 THE PROFESSIONAL WHOSE SIGNATURE AND PERSONAL SEAL APPEAR HEREON ASSUMES RESPONSIBILITY ONLY FOR WHAT APPEARS ON THIS PAGE, AND DISCLAIMS (PURSUANT TO SECTION 327.411 RSMO) SPECIFICATION, ESTIMATES, REPORTS, OR OTHER DOCUMENTS OR INSTRUMENTS NOT SEALED BY THE UNDERSIGNED PROFESSIONAL RELATING TO OR INTENDED TO BE USED FOR ANY PART OR PARTS OF THE PROJECT TO WHICH THIS PAGE REFERS.



10/14/2024
 Cassandra McKee Lee - Civil
 MO PE-222025373

1 SHEET ADDED

DATE PREPARED
 10/14/2024
 MO ROUTE 366 STATE MO
 DISTRICT SL SHEET NO. 97D
 COUNTY ST. LOUIS
 JOB NO. J6S3582
 CONTRACT ID.

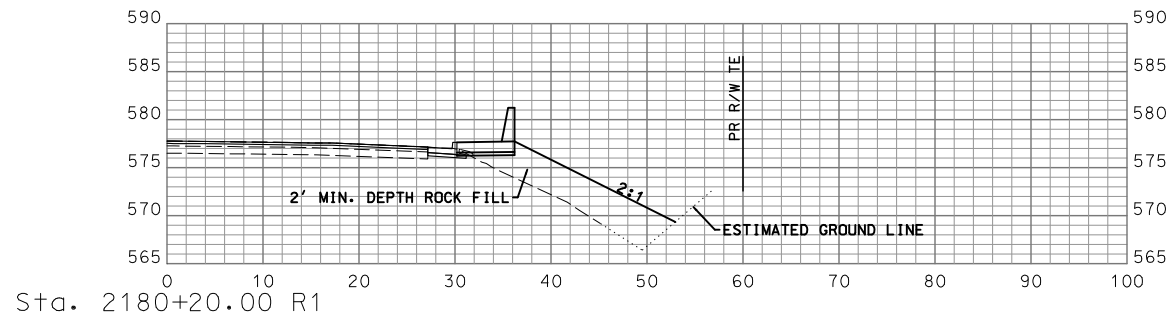
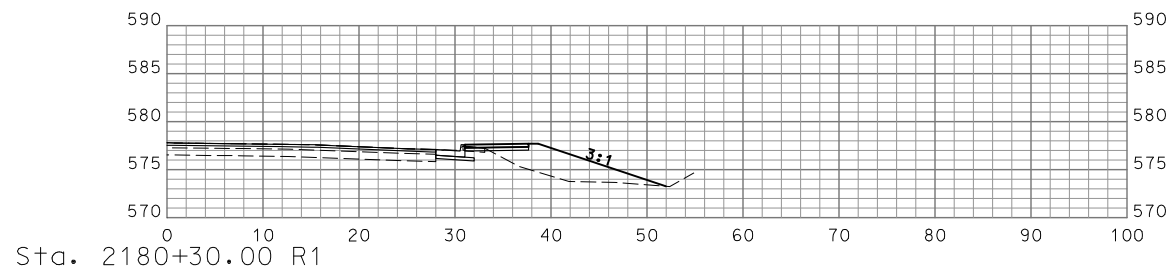
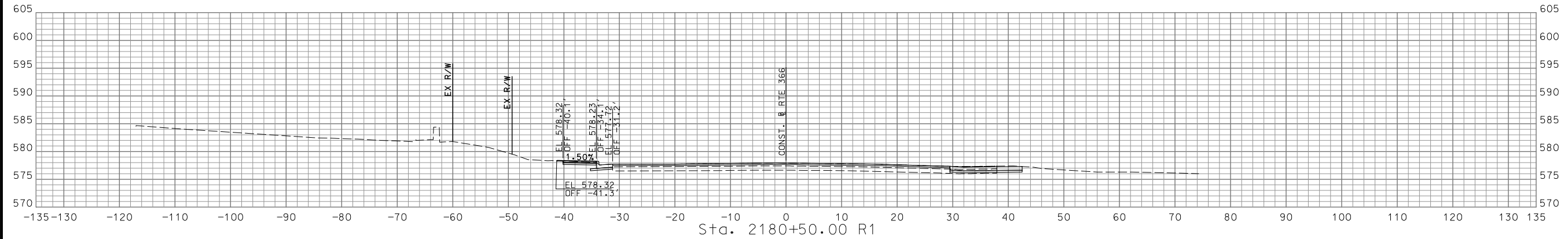
PROJECT NO.
 BRIDGE NO.

DATE	DESCRIPTION
10/14/24	RETAINING WALL REVISION

MISSOURI HIGHWAYS AND TRANSPORTATION COMMISSION

 105 WEST CAPITOL
 JEFFERSON CITY, MO 65102
 1-888-ASK-MODOT (1-888-275-6636)

© Copyright CMT, Inc.
 CRAWFORD, MURPHY & TILLY, INC.
 ONE MEMORIAL DRIVE, SUITE 500
 ST. LOUIS, MO 63102 (314) 436-5500
 ENGINEERING CORPORATION - 000631



STA. 2180+20.00 R1 TO STA. 2180+50.00 R1

IF A SEAL IS PRESENT ON THIS SHEET IT HAS BEEN ELECTRONICALLY SEALED AND DATED.