



THIS SHEET HAS BEEN SIGNED, SEALED AND DATED ELECTRONICALLY.

DATE PREPARED
10/6/2023

ROUTE STATE
A MO

DISTRICT SHEET NO.
SE 1

COUNTY
CARTER

JOB NO.
J9S3609

CONTRACT ID.

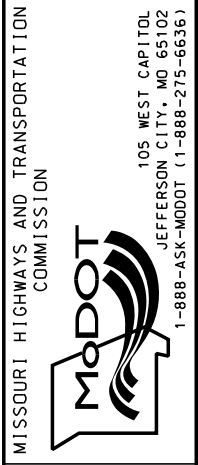
PROJECT NO.

BRIDGE NO.
A9213

DESCRIPTION

DATE	DESCRIPTION

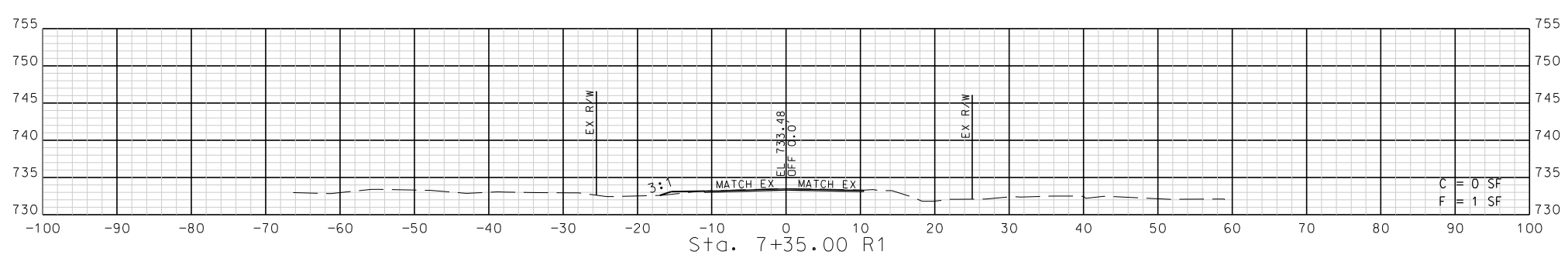
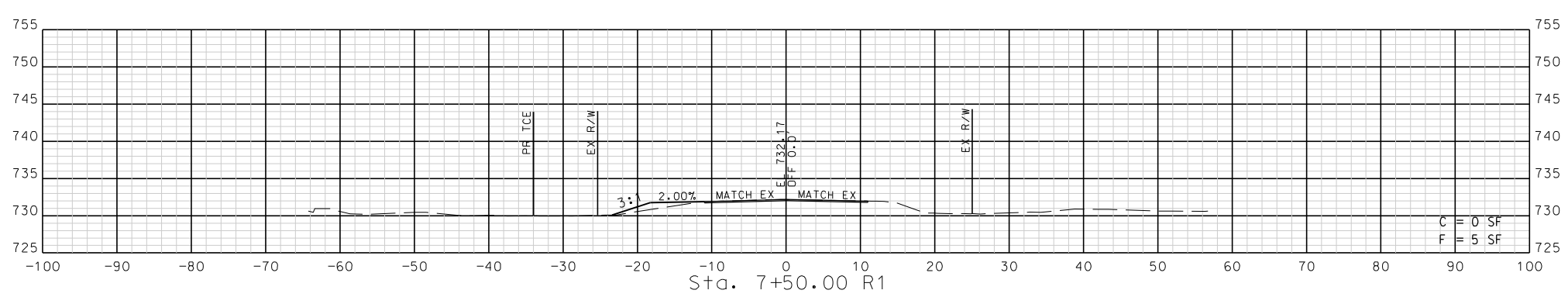
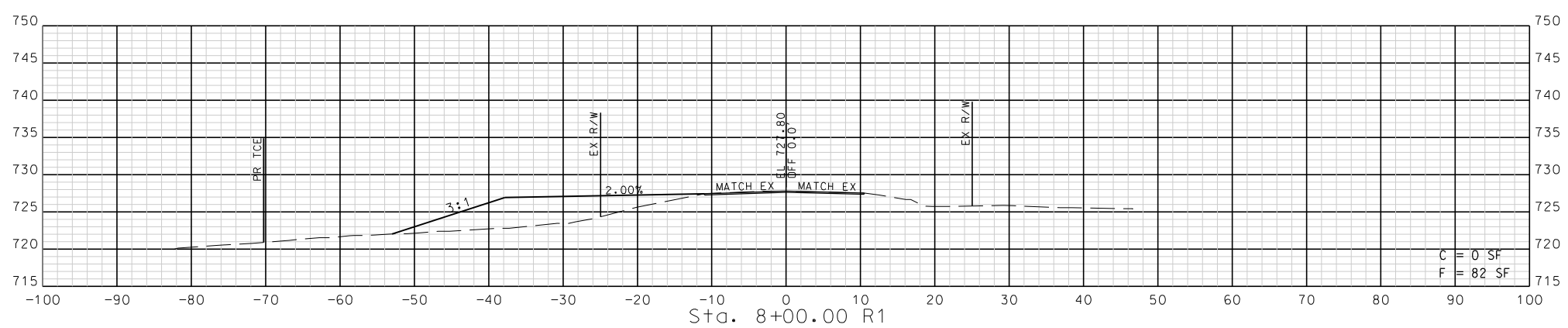
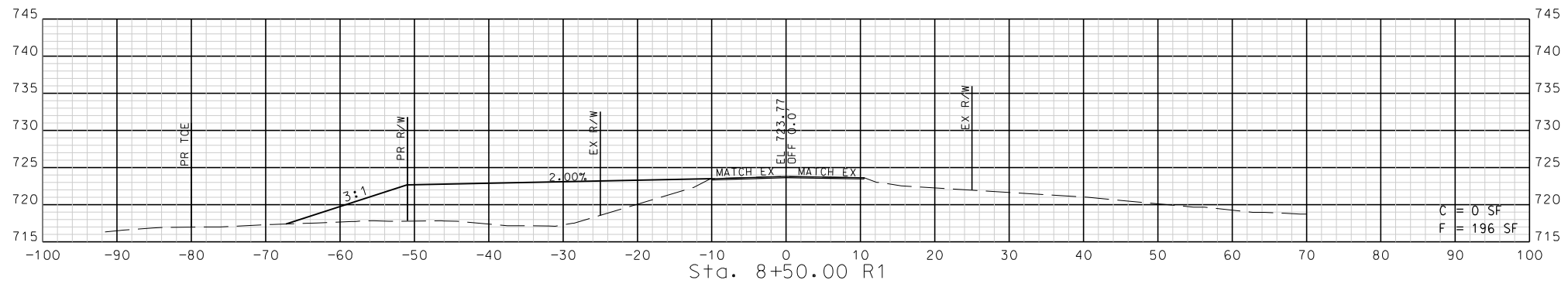
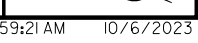
MISSOURI HIGHWAYS AND TRANSPORTATION COMMISSION



105 WEST CAPITOL
JEFFERSON CITY, MO 65102
1-888-ASK-MODOT (1-888-275-6636)

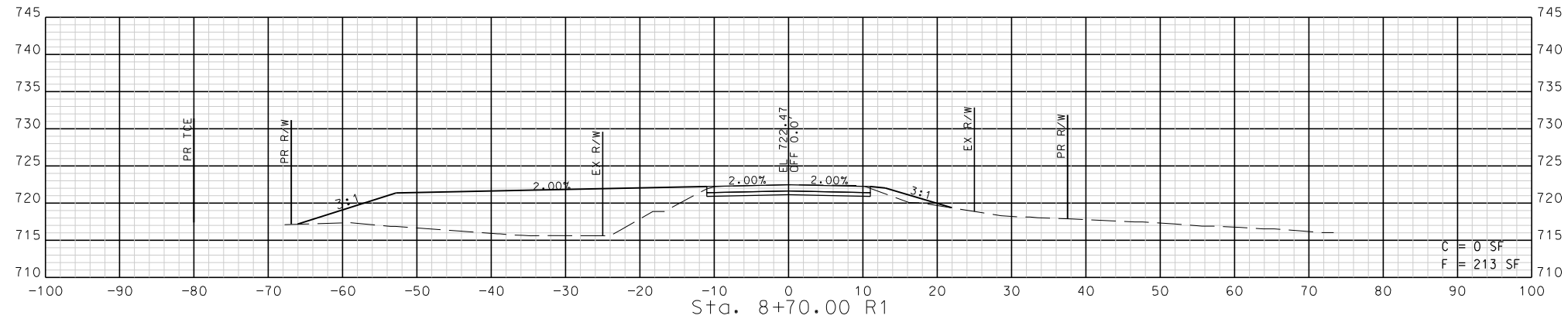
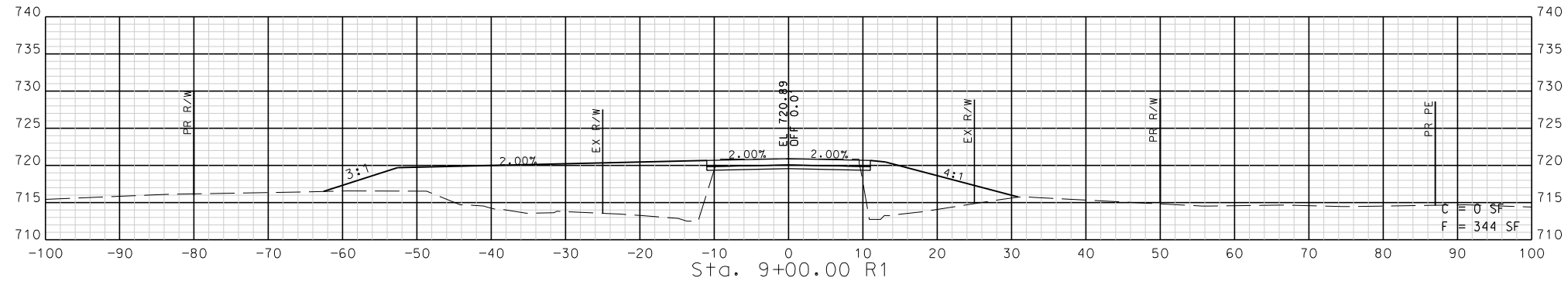
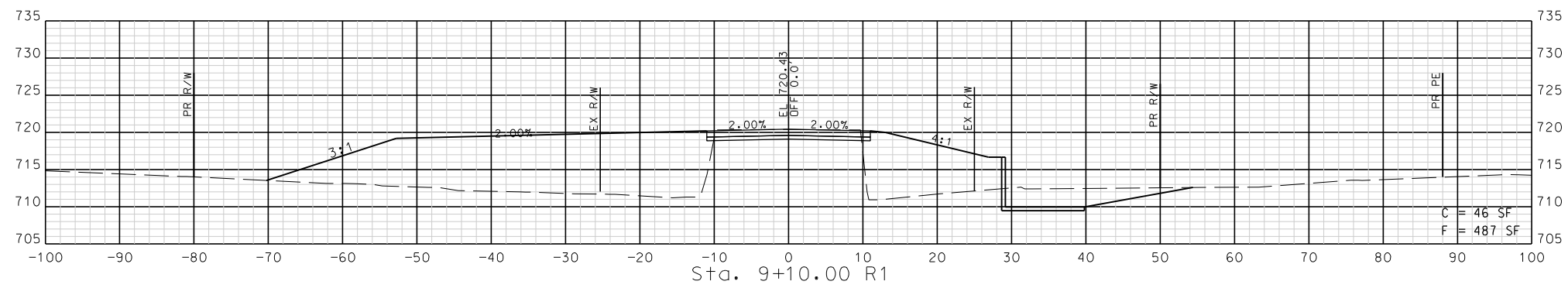
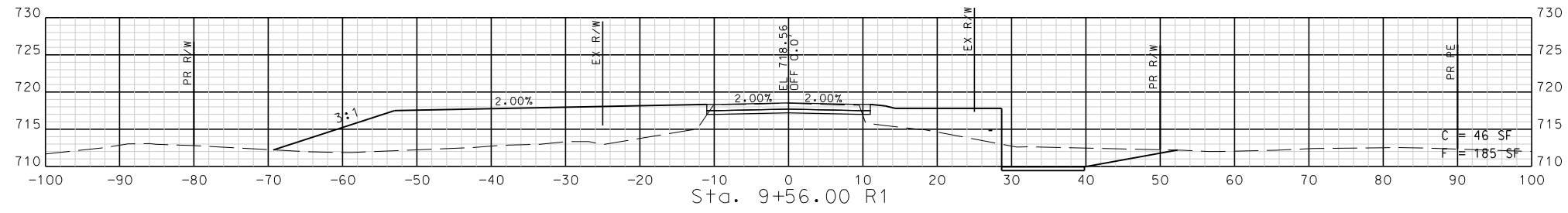
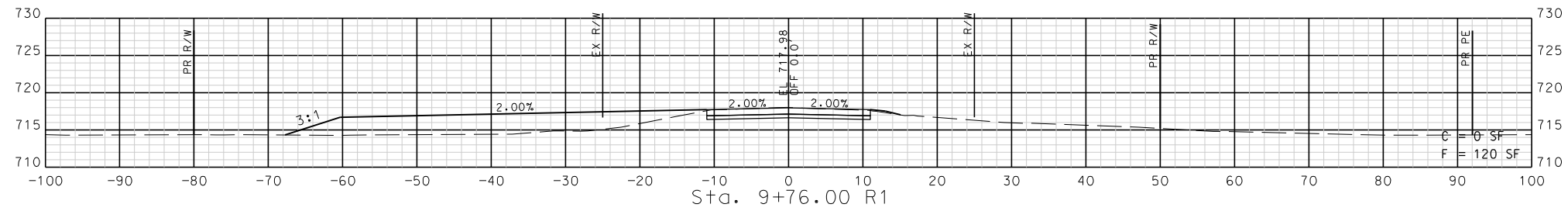
St. Louis
220 Olive Street, Suite 200
St. Charles
820 South Main Street, 200
St. Charles, MO 63301
636-493-6277

Collinsville
100 West Court, Suite 1
Belleville
1 South Church Street, Suite 200
Belleville, IL 62220
618-516-6688
www.oatesassociates.com
MISSOURI DESIGN FIRM PE-001166



STA. 7+35.00 R1 TO STA. 8+50.00 R1

CROSS SECTIONS
SHEET 1 OF 3



STA. 8+70.00 R1 TO STA. 9+76.00 R1

CROSS SECTIONS
SHEET 2 OF 3



THIS SHEET HAS BEEN
SIGNED, SEALED AND DATED
ELECTRONICALLY.

DATE PREPARED
10/6/2023

ROUTE STATE
A MO

DISTRICT SHEET NO.
SE 2

COUNTY
CARTER

JOB NO.
J9S3609

CONTRACT ID.

PROJECT NO.

BRIDGE NO.
A9213

DATE	DESCRIPTION

MISSOURI HIGHWAYS AND TRANSPORTATION
COMMISSION

105 WEST CAPITOL
JEFFERSON CITY, MO 65102
1-888-ASK-MODOT (1-888-273-6636)

St. Louis
220 Olive Street, Suite 200
St. Charles
314.588.8381

St. Charles
820 South Main, Suite 200
St. Charles, MO 63301
636.493.6277

Callinsville
100 West Court, Suite 1
618.245.2200
618.245.2202

Bellville
1 South Church, Suite 200
Bellville, IL 62220
618.516.6688

MISSOURI DESIGN FIRM PE-001166

OATES
ASSOCIATES



THIS SHEET HAS BEEN SIGNED, SEALED AND DATED ELECTRONICALLY.

DATE PREPARED 10/6/2023	
ROUTE A	STATE MO
DISTRICT SE	SHEET NO. 3
COUNTY CARTER	
JOB NO. J9S3609	
CONTRACT ID.	
PROJECT NO.	
BRIDGE NO. A9213	

DATE	DESCRIPTION

MISSOURI HIGHWAYS AND TRANSPORTATION COMMISSION

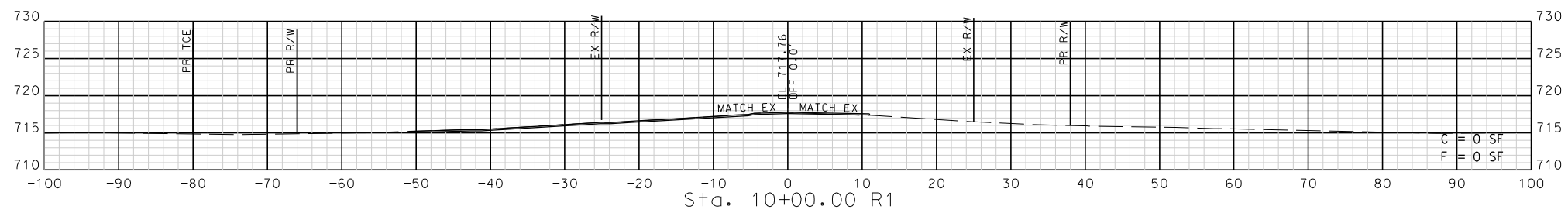
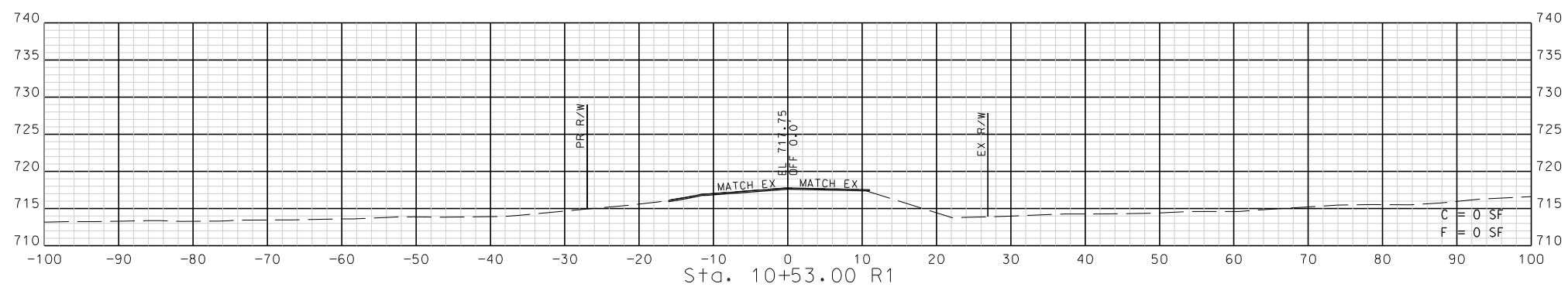
105 WEST CAPITOL JEFFERSON CITY, MO 65102
1-888-ASK-MODOT (1-888-273-6636)

St. Louis
220 Olive Street, Suite 200
St. Charles
820 South Main Street, Suite 200

Callinsville
100 West Court, Suite 1
Belleville
1 South Church Street, Suite 200

MISSOURI DESIGN FIRM PE-001166

OATES ASSOCIATES



STA. 10+00.00 R1 TO STA. 10+53.00 R1

CROSS SECTIONS SHEET 3 OF 3

IF A SEAL IS PRESENT ON THIS SHEET IT HAS BEEN ELECTRONICALLY SEALED AND DATED.