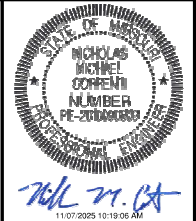


DISCLAIMER
 THE PROFESSIONAL WHOSE SIGNATURE AND PERSONAL SEAL APPEAR HEREON ASSUMES RESPONSIBILITY ONLY FOR WHAT APPEARS ON THIS PAGE, AND DISCLAIMS (PURSUANT TO SECTION 327.411 RSMO) SPECIFICATION, ESTIMATES, REPORTS, OR OTHER DOCUMENTS OR INSTRUMENTS NOT SEALED BY THE UNDERSIGNED PROFESSIONAL RELATING TO OR INTENDED TO BE USED FOR ANY PART OR PARTS OF THE PROJECT TO WHICH THIS PAGE REFERS.



DATE PREPARED
 11/7/2025
 ROUTE 1-55 STATE MO
 DISTRICT SL SHEET NO. 3

COUNTY
 ST LOUIS/JEFFERSON
 JOB NO.
 J613290
 CONTRACT ID.

PROJECT NO.
 BRIDGE NO.

DATE	DESCRIPTION
11/07/25	ADDENDUM 1-REVISED

MISSOURI HIGHWAYS AND TRANSPORTATION COMMISSION
 MoDOT
 105 WEST CAPITOL
 JEFFERSON CITY, MO 65102
 1-888-ASK-MODOT (1-888-275-6636)

EFK Moen
 Civil Engineering Design
 13523 Barrett Parkway Dr
 Suite 250
 St. Louis, MO 63021
 Phone 314-394-3100
 Fax 314-394-3199
 Missouri Certificate of Authority: 001578

IF A SEAL IS PRESENT ON THIS SHEET IT HAS BEEN ELECTRONICALLY SEALED AND DATED.

PERMANENT PAVEMENT MARKING

SHEET NO	ROADWAY	STA	STA	LOC	CLASS 2 PAVEMENT MARKING (25-MIL, TYPE L BEADS)					PREFORMED THERMOPLASTIC PAVEMENT MARKING, 24 - INCH X 24 - INCH SQUARE EA.	REMARKS
					6 - INCH SOLID YELLOW	6 - INCH SOLID WHITE	6 - INCH INTERM. WHITE	6 - INCH DOTTED WHITE	12 - INCH DOTTED WHITE		
					L.F.	L.F.	L.F.	L.F.	L.F.		
56-57	1-55	293+00	23+00	LT/RT	10400	10991	13255				
56-57	1-55	297+82	302+62	RT				439			
56-57	1-55	300+03	303+50	LT				115			
56-57	1-55	9+91	23+00	LT				160			
56-57	1-55	311+26	16+36	LT					904		
56-57	1-55	322+15		RT					5		MSHP SPEED CHECK BLOCKS
56-57	1-55	6+75		RT					5		MSHP SPEED CHECK BLOCKS
56-57	1-55	324+00		LT					5		MSHP SPEED CHECK BLOCKS
56-57	1-55	8+60		LT					5		MSHP SPEED CHECK BLOCKS
SUBTOTAL					10400	10991	13255	714	904	20	
PAY TOTAL					10400		24960		904	20	

*DOTTED PAVEMENT MARKING SHALL BE 3' LINES WITH 9' GAPS

TEMPORARY PAVEMENT MARKING

TC SHEET NO XX OF 45	ROADWAY	STA	STA	LOC	PAVEMENT MARKING REMOVAL	4 - INCH TEMPORARY PAVEMENT MARKING PAINT	REMARKS
					L.F.	L.F.	
15-22	1-55	295+00	21+00	LT/RT	21754		REMOVAL OF EXISTING 6 INCH MARKINGS
15-22	1-55	295+00	21+00	LT/RT		46265	STAGE 1
15-22	1-55	295+00	21+00	LT/RT	15956		STAGE 1 TEMP. PAINT REMOVAL
23-32	1-55	295+00	21+00	LT/RT		13523	STAGE 2
23-32	1-55	295+00	21+00	LT/RT	48702		STAGE 2 TEMP. PAINT REMOVAL
-	1-55	295+00	21+00	LT/RT		31441	WINTER SEASON, RESTORE TO EXISTING
-	1-55	295+00	21+00	LT/RT	31441		REMOVE WINTER STRIPING
33-38	1-55	295+00	21+00	LT/RT		44882	STAGE 3
33-38	1-55	295+00	21+00	LT/RT	17675		STAGE 3 TEMP. PAINT REMOVAL
39-45	1-55	295+00	21+00	LT/RT		11396	STAGE 4
39-45	1-55	295+00	21+00	LT/RT	37964		STAGE 4 TEMP. PAINT REMOVAL
-	1-55	295+00	21+00	LT/RT		31441	WINTER SEASON, RESTORE TO EXISTING
SUBTOTAL					173492	178948	
PAY TOTAL					173492	178948	

1 REVISED

LINEAR GRADING

SHEET NO	ROADWAY	LOC	STA	STA	LINEAR GRADING CLASS 1	MODIFIED LINEAR GRADING CLASS 2	REMARKS
					STA.	STA.	
5	1-55	LT				5.00	EXISTING ACCESS ROAD
5	1-55	LT	311+13	313+59		7.70	PROPOSED ACCESS ROAD
5	1-55	LT/RT	312+13	313+23		3.70	CREEK
5	1-55	LT/RT	317+34		1.78		BENT 11
5	1-55	LT/RT	318+87		1.78		BENT 12
SUBTOTAL					3.6	16.4	
PAY TOTAL					3.6	16.4	

11.4
 11.4
 1

ROCK

SHEET NO	ROADWAY	STA	STA	LOC	FURNISHING TYPE 2 ROCK DITCH LINER (2')	PLACING TYPE 2 ROCK DITCH LINER (2')	FURNISHING TYPE 3 ROCK DITCH LINER (2')	PLACING TYPE 3 ROCK DITCH LINER (2')	FURNISHING ROCK FILL	FURNISHING ROCK FILL	PLACING ROCK FILL	PLACING ROCK FILL	FURNISHING TYPE 2 ROCK BLANKET	PLACING TYPE 2 ROCK BLANKET	PERMANENT EROSION CONTROL GEOTEXTILE	BEDDING MATERIAL FOR ROCK DITCH LINER	REMARKS
					C.Y.	C.Y.	C.Y.	C.Y.	C.Y. (1)	TONS	C.Y. (1)	TONS	C.Y.	C.Y.	S.Y.	C.Y.	
5	1-55	312+21	312+41	RT									27	27	40		END OF PAVED DITCH
5	1-55	312+31	312+71	LT/RT			891	891								297	CREEK
5	1-55	312+13	313+22	LT/RT					457	663	457	663					CREEK
5	1-55	316+84	317+83	LT/RT	208	208									313		BENT 11
5	1-55	318+37	319+36	LT/RT	208	208									313		BENT 12
SUBTOTAL					416	416	891	891	457	663	457	663	27	27	666	297	
PAY TOTAL					416	416	891	891		663		663	27	27	666	297	

(1) ROCK FILL CONVERSION FACTOR:
 1.45 T/CY

1 ADDED

REMOVE, STORE, AND REINSTALL EXISTING SIGN

SHEET NO	ROADWAY	STA	LOC	REMOVE, STORE, AND REINSTALL EXISTING SIGN	REMARKS
				EA.	
56	1-55	321+77	LT	1	ENTERING ST. LOUIS COUNTY
56	1-55	321+86	RT	1	ENTERING JEFFERSON COUNTY
SUBTOTAL				2	
PAY TOTAL				2	

EARTH WORK [FOR INFORMATION ONLY]

SHEET NO	ROADWAY	STA	UNCLASSIFIED EXCAVATION	COMPACTING EMBANKMENT
			C.Y.	C.Y.
X5	1-55	-	1671	278

*TOTAL IS APPROXIMATE FOR BIDDING PURPOSES, EARTHWORK IS PAID FOR UNDER MODIFIED LINEAR GRADING CLASS 2

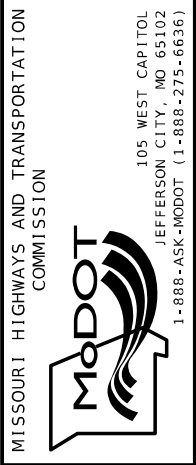
SUMMARY OF QUANTITIES
 SHEET 2 OF 4



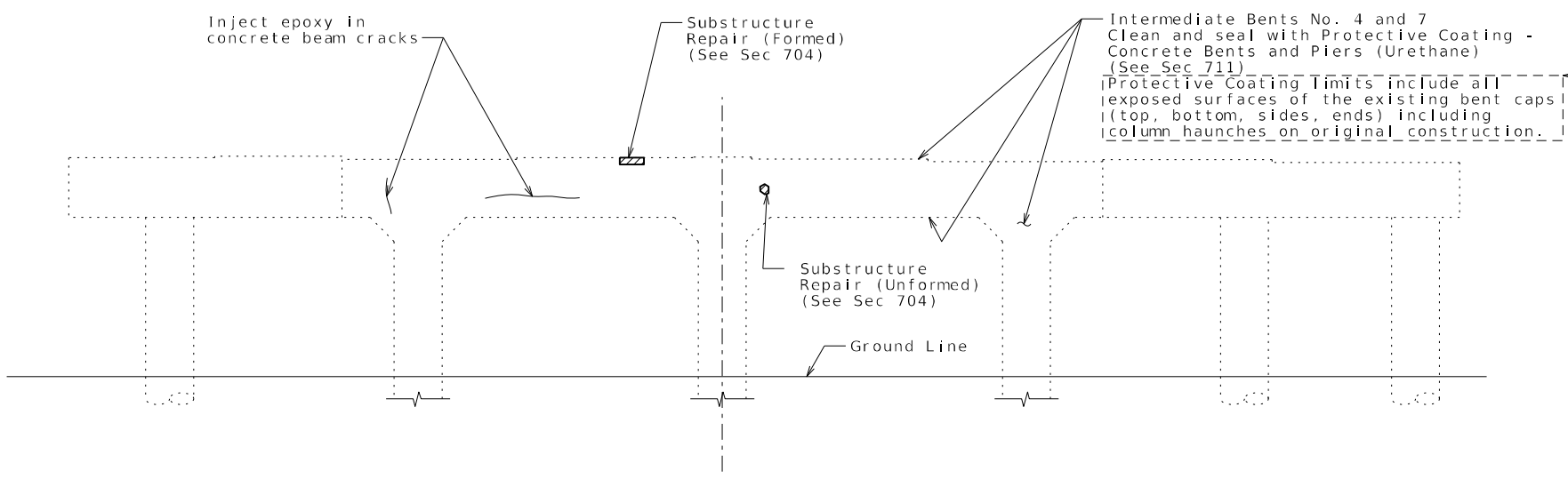
Kamlesh Kumar
Professional Engineer
105 West Capitol
Jefferson City, MO 65102
1-888-ASK-MODOT (1-888-275-6636)

DATE PREPARED 11/7/2025	
ROUTE I-55	STATE MO
DISTRICT BR	SHEET NO. 26
COUNTY ST LOUIS / JEFFERSON	
JOB NO. J613290	
CONTRACT ID.	
PROJECT NO.	
BRIDGE NO. A06092	

DATE	DESCRIPTION
11-07-25	CLARIFIED PROTECTIVE COATING LIMITS



EXP U.S. Services Inc.
600 Washington Ave.
Suite 1700
St. Louis, MO 63101
t: +1-618-406-2385
Missouri Certificate of
Authority: F01144526



1 ADDED

Substructure Repair (Formed) (See Sec 704)
Substructure Repair (Unformed) (See Sec 704)

Clean and seal with Protective Coating Concrete Bents and Piers (Urethane) (See Sec 711)
Protective Coating Limits include all exposed surfaces of the existing end bents after constructing the concrete diaphragms.

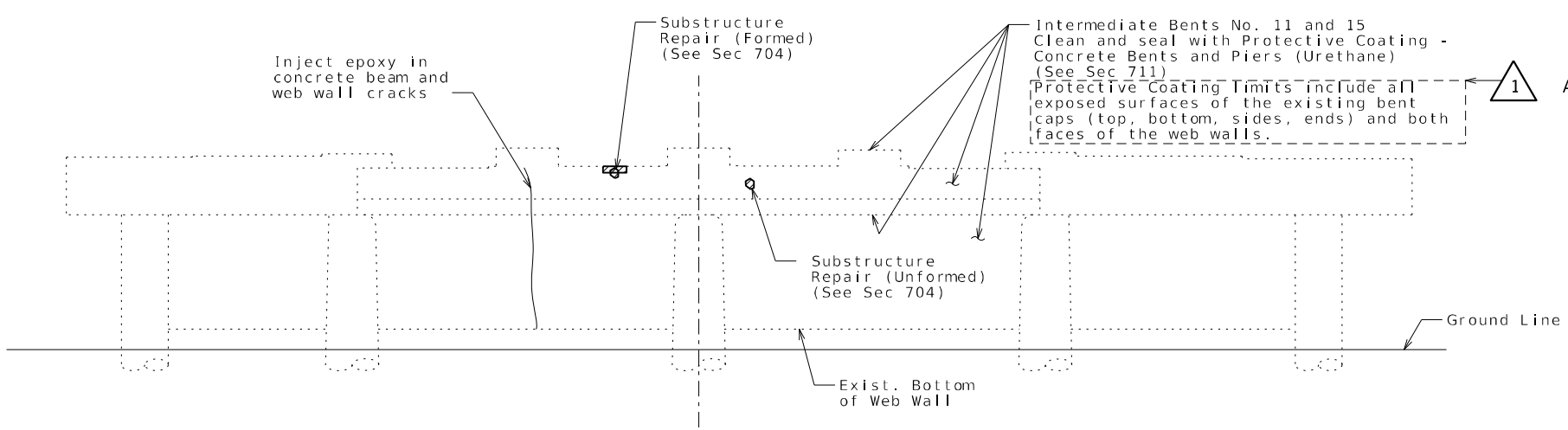
1 ADDED

TYPICAL SECTION SHOWING PROTECTIVE COATING & SUBSTRUCTURE REPAIRS AT END BENTS NO. 1 & 16

ELEVATION OF INTERMEDIATE BENTS NO. 2 THRU 10 SHOWING REPAIRS

Note: Add protective coating to all surfaces of the cap including original column haunches

1



1 ADDED

ELEVATION OF INTERMEDIATE BENTS NO. 11 THRU 15 SHOWING REPAIRS

Note: Add protective coating to all surfaces of the cap at Intermediate Bents No. 11 and 15

1

Notes:

The cost of epoxy injection will be considered completely covered by the contract unit price for Epoxy Pressure injecting.

Protective coating for concrete bents and piers (Urethane) shall be applied as shown on this sheet and in accordance with Sec 711.

All concrete repairs shall be in accordance with Sec 704, unless otherwise noted.

1 REVISED

SUBSTRUCTURE REPAIR DETAILS

Note: This drawing is not to scale. Follow dimensions. Sheet No. 26 of 32

Detailed May 2025
Checked July 2025



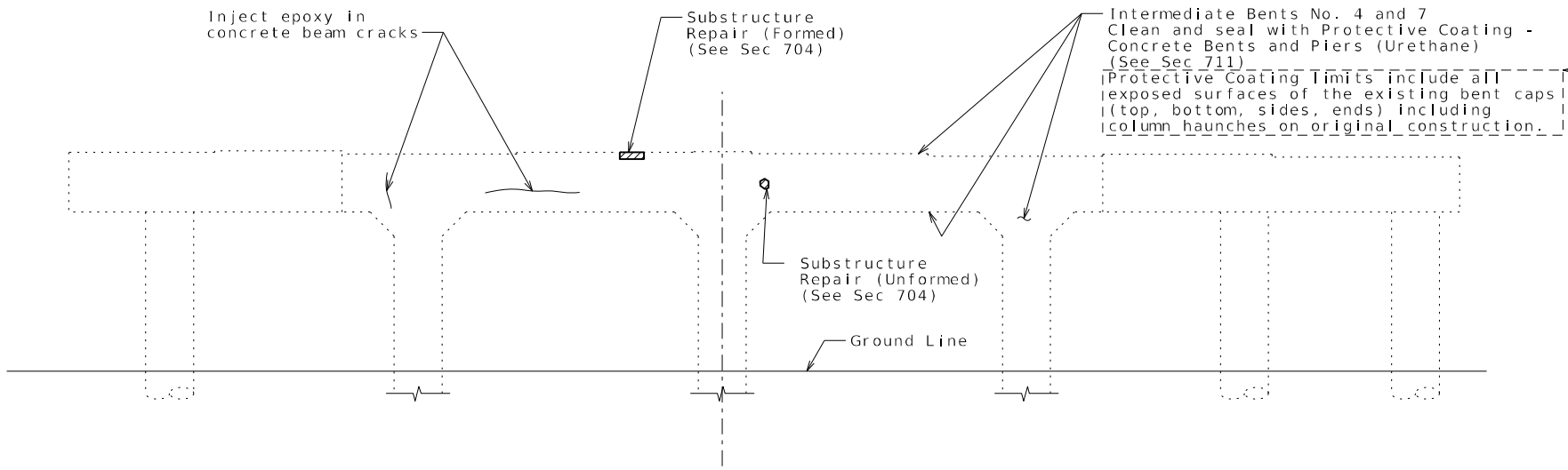
DATE PREPARED	11/7/2025
ROUTE	I-55
STATE	MO
DISTRICT	BR
SHEET NO.	26
COUNTY	ST LOUIS / JEFFERSON
JOB NO.	J613290
CONTRACT ID.	
PROJECT NO.	
BRIDGE NO.	A06093

DATE	DESCRIPTION
11-07-25	CLARIFIED PROTECTIVE COATING LIMITS

MISSOURI HIGHWAYS AND TRANSPORTATION COMMISSION

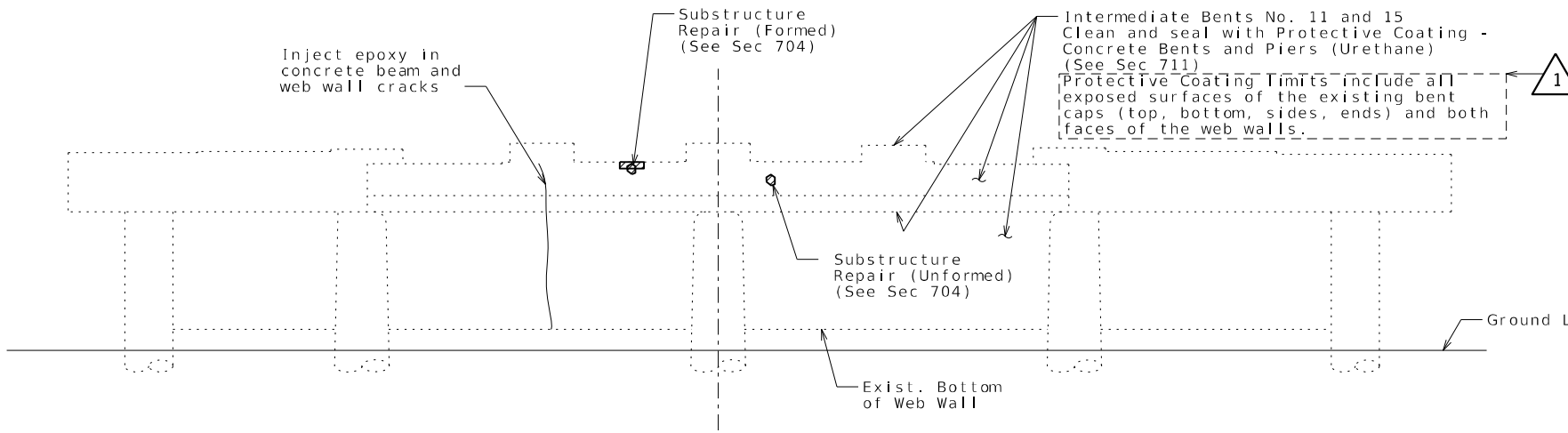
105 WEST CAPITOL JEFFERSON CITY, MO 65102
1-888-ASK-MODOT (1-888-275-6636)

EXP U.S. Services Inc.
600 Washington Ave.
Suite 1700
St. Louis, MO 63101
t: +1-618-406-2385
Missouri Certificate of Authority: F01144526



ELEVATION OF INTERMEDIATE BENTS NO. 2 THRU 10 SHOWING REPAIRS

Note: Add protective coating to all surfaces of the cap including original column haunches



ELEVATION OF INTERMEDIATE BENTS NO. 11 THRU 15 SHOWING REPAIRS

Note: Add protective coating to all surfaces of the cap at Intermediate Bents No. 11 and 15

1 ADDED

1 ADDED

TYPICAL SECTION SHOWING PROTECTIVE COATING & SUBSTRUCTURE REPAIRS AT END BENTS NO. 1 & 16

Notes:

- The cost of epoxy injection will be considered completely covered by the contract unit price for Epoxy Pressure injecting.
- Protective coating for concrete bents and piers (Urethane) shall be applied as shown on this sheet and in accordance with Sec 711.
- All concrete repairs shall be in accordance with Sec 704, unless otherwise noted.

1 REVISED

SUBSTRUCTURE REPAIR DETAILS

Note: This drawing is not to scale. Follow dimensions. Sheet No. 26 of 32

Detailed May 2025
Checked July 2025