

THIS SHEET HAS BEEN SIGNED, SEALED AND DATED ELECTRONICALLY.

DATE PREPARED
10/14/2025

ROUTE STATE
K MO

DISTRICT SHEET NO.
SE 1

COUNTY
PERRY

JOB NO.
J9S3671

CONTRACT ID.

PROJECT NO.

BRIDGE NO.

DESCRIPTION

DATE

MISSOURI HIGHWAYS AND TRANSPORTATION COMMISSION

105 WEST CAPITOL JEFFERSON CITY, MO 65102

1-888-ASK-MODOT (1-888-275-6636)



St. Louis 720 Olive, Suite 700 63101 314.588.8381

St. Charles 820 South Main, Suite 200 St. Charles, MO 63031 636.493.6277

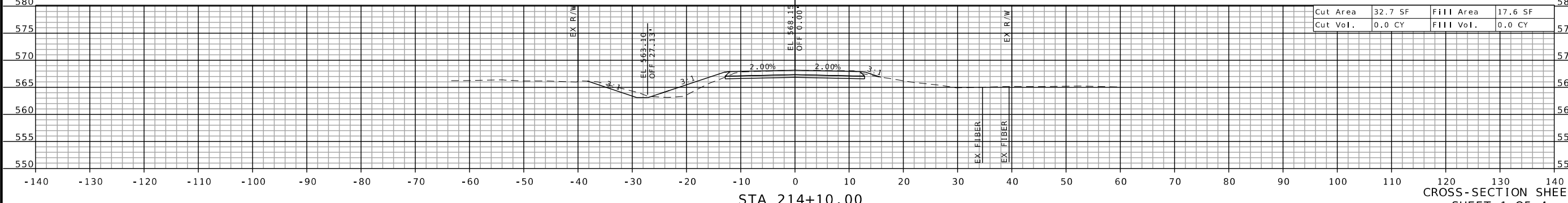
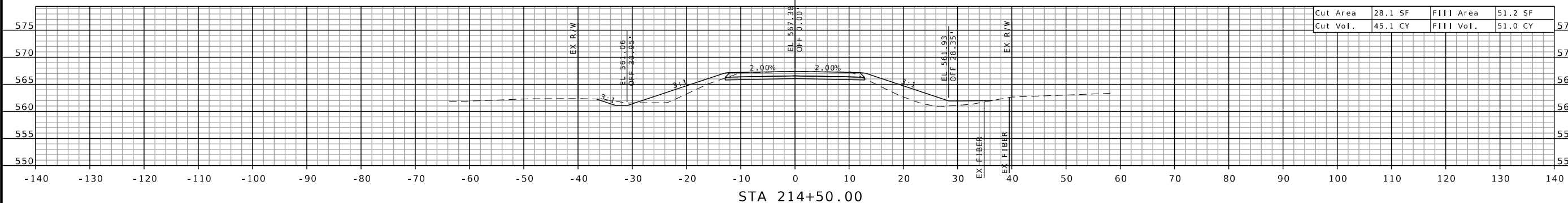
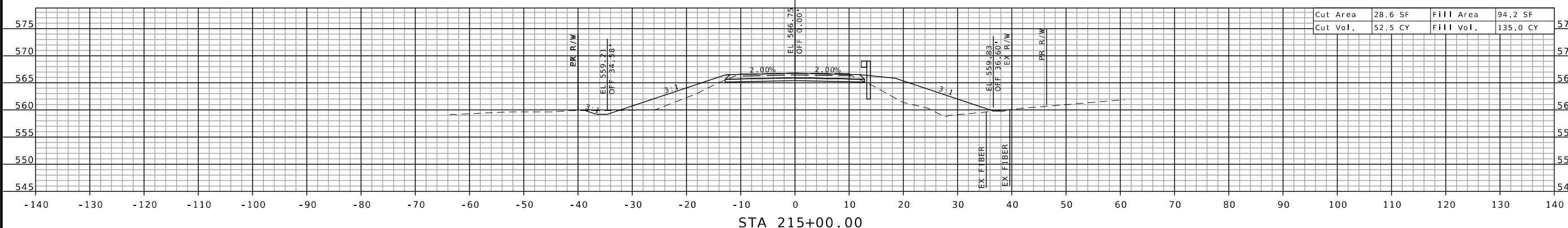
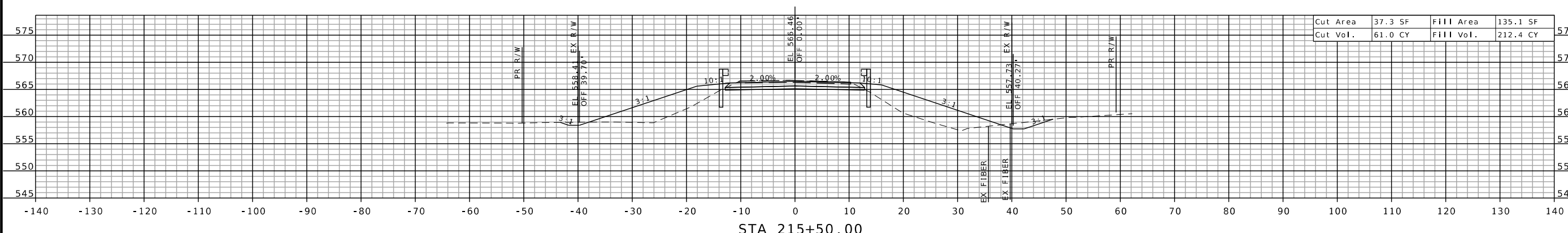
Collinsville 1000 W. Court, Suite 101 Collinsville, MO 63901 618.345.2200

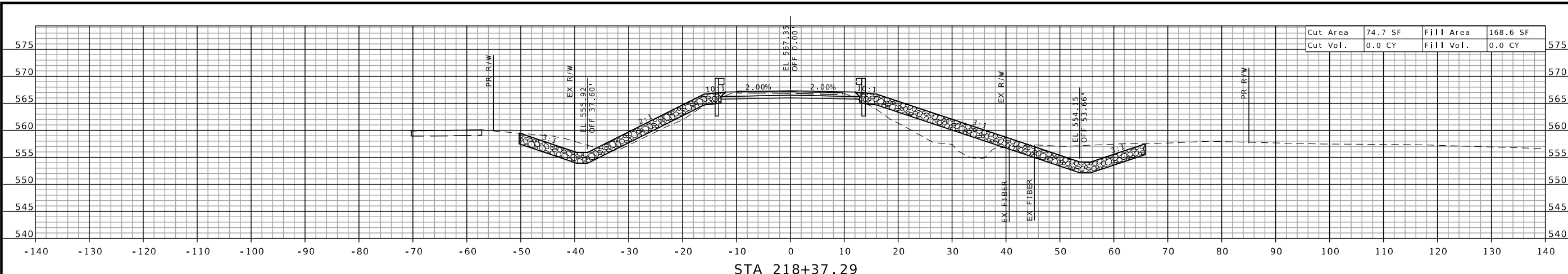
Bellville 1 South Church, Suite 200 Bellville, IL 62220 618.616.6688

MISSOURI DESIGN FIRM PE-001166

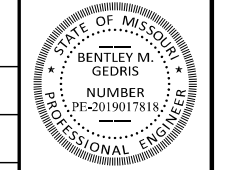
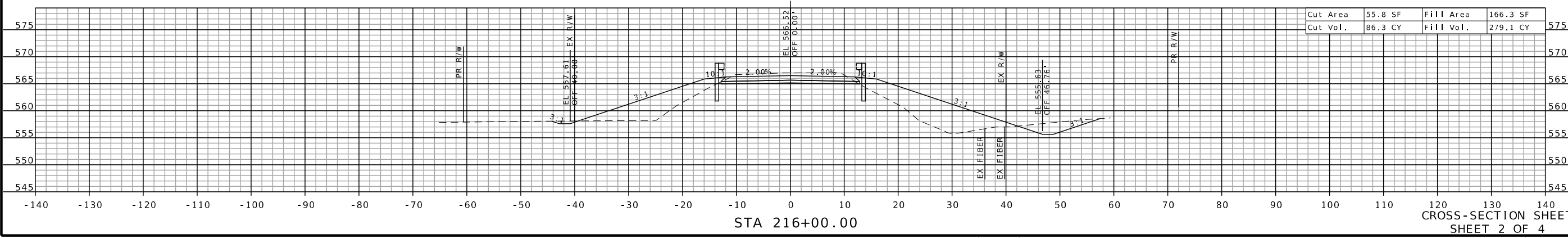
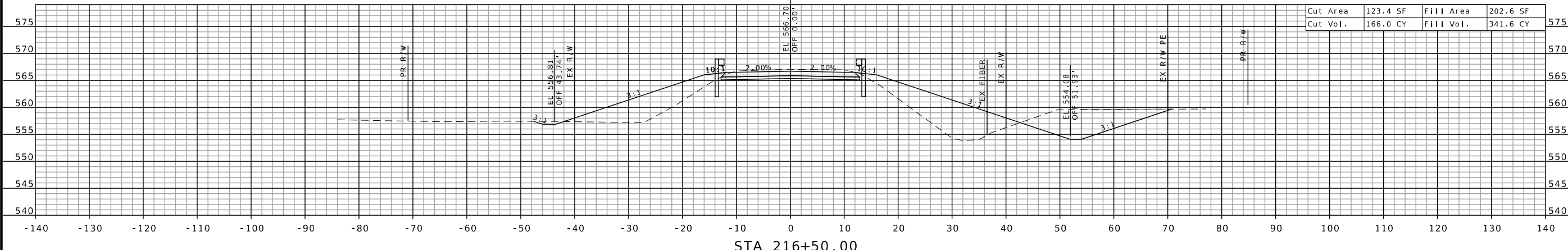
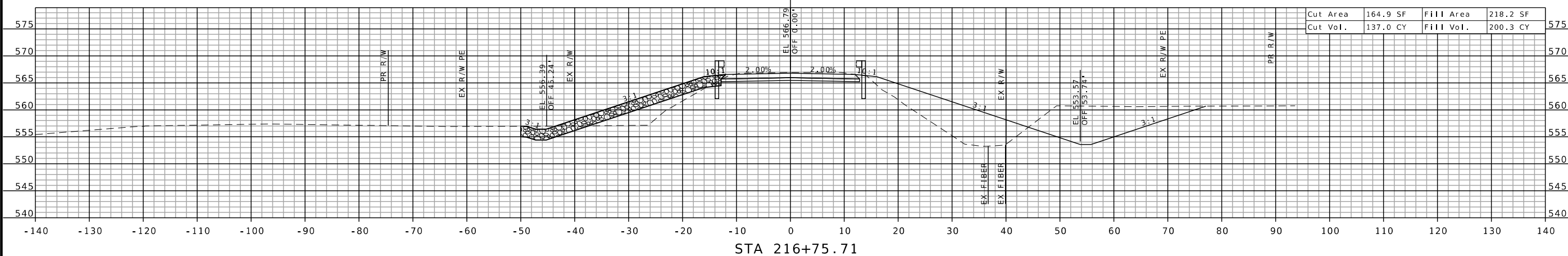


OATES ASSOCIATES





BRIDGE OMISSION
STA. 216+75.71 TO 218+37.29



THIS SHEET HAS BEEN SIGNED, SEALED AND DATED ELECTRONICALLY.

DATE PREPARED
10/14/2025

ROUTE STATE
K MO
DISTRICT SHEET NO.
SE 2


COUNTY
PERRY
JOB NO.
J9S3671
CONTRACT ID.

PROJECT NO.

BRIDGE NO.

DATE	DESCRIPTION

MISSOURI HIGHWAYS AND TRANSPORTATION COMMISSION



105 WEST CAPITOL
JEFFERSON CITY, MO 65102
1-888-ASK-MODOT (1-888-275-6636)

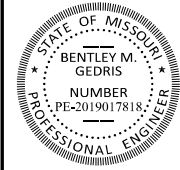
St. Louis
720 Olive, Suite 700
St. Charles
314.586.8381

Collinsville
1010 W. Court, Suite 1
618.245.2200

Bellville
820 South Main, Suite 200
St. Charles, MO 63301
636.493.6277

St. Louis
1 South Church, Suite 200
St. Charles, MO 63301
618.216.6688
www.oatesassociates.com





THIS SHEET HAS BEEN SIGNED, SEALED AND DATED ELECTRONICALLY.

DATE PREPARED 10/23/2025

ROUTE C STATE MO

DISTRICT SE SHEET NO. 1

COUNTY PERRY

JOB NO. JSE0056

CONTRACT ID.

PROJECT NO.

BRIDGE NO.

DESCRIPTION

DATE

MISSOURI HIGHWAYS AND TRANSPORTATION COMMISSION

St. Louis

St. Charles

Belleville

St. Charles

St. Charles

St. Charles

St. Charles

St. Charles

St. Charles

St. Charles

St. Charles

St. Charles

St. Charles

St. Charles

St. Charles

St. Charles

St. Charles

St. Charles

St. Charles

St. Charles

St. Charles

St. Charles

St. Charles

St. Charles

St. Charles

St. Charles

St. Charles

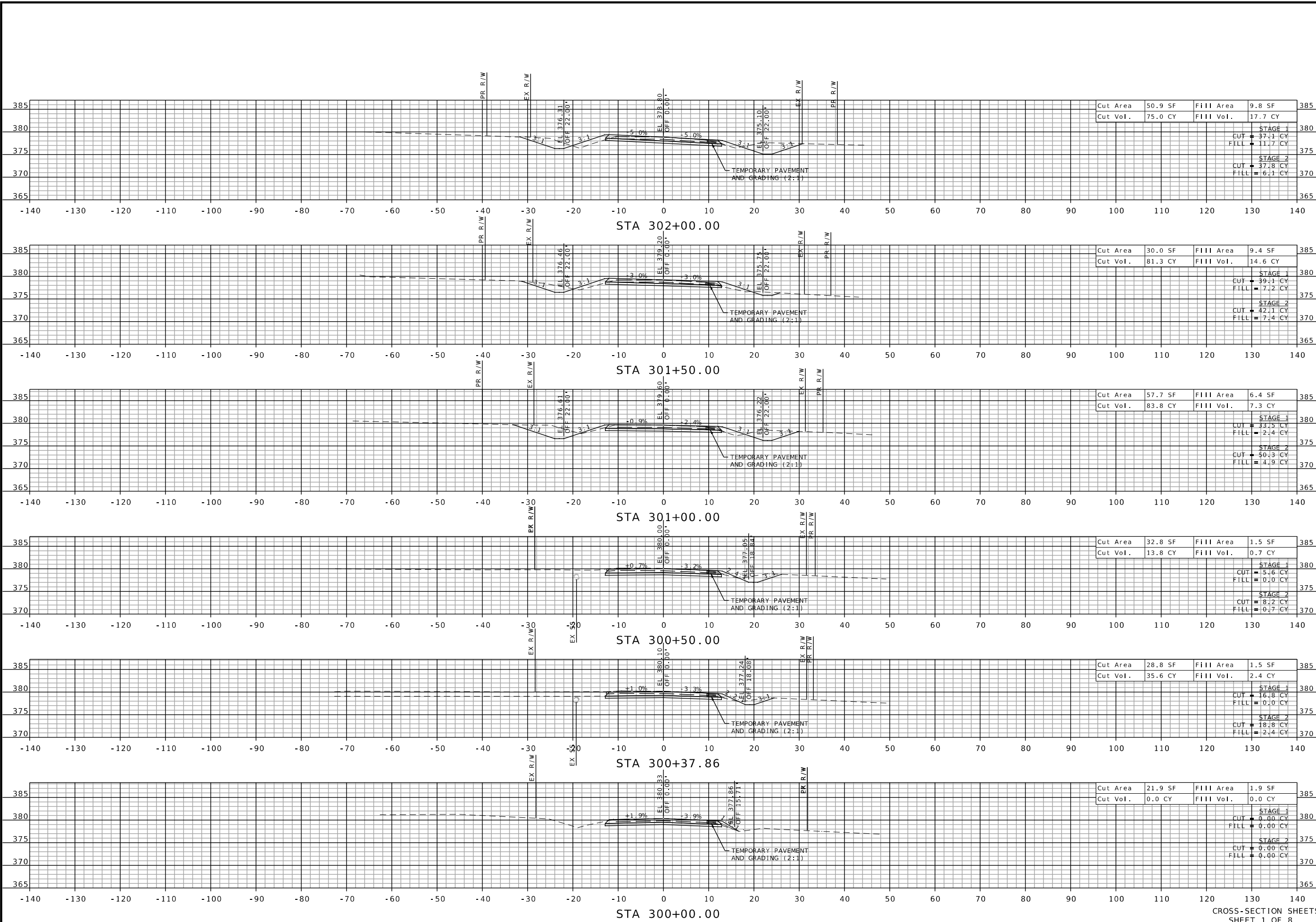
St. Charles

St. Charles

St. Charles

St. Charles

St. Charles



CROSS-SECTION SHEETS SHEET 1 OF 8



St. Louis
720 Olive, Suite 700
St. Charles
820 South Main, Suite 200
Belleville
1 South Church, Suite 200

618.345.2200
618.345.2205
618.345.2206
618.345.2207
618.345.2208
618.345.2209
618.345.2210
618.345.2211
618.345.2212
618.345.2213
618.345.2214
618.345.2215
618.345.2216
618.345.2217
618.345.2218
618.345.2219
618.345.2220
618.345.2221
618.345.2222
618.345.2223
618.345.2224
618.345.2225
618.345.2226
618.345.2227
618.345.2228
618.345.2229
618.345.2230
618.345.2231
618.345.2232
618.345.2233
618.345.2234
618.345.2235
618.345.2236
618.345.2237
618.345.2238
618.345.2239
618.345.2240

MISSOURI DESIGN FIRM PE-001166



THIS SHEET HAS BEEN SIGNED, SEALED AND DATED ELECTRONICALLY.

DATE PREPARED
11/18/2025

ROUTE STATE
C MO

DISTRICT SHEET NO.
SE 2

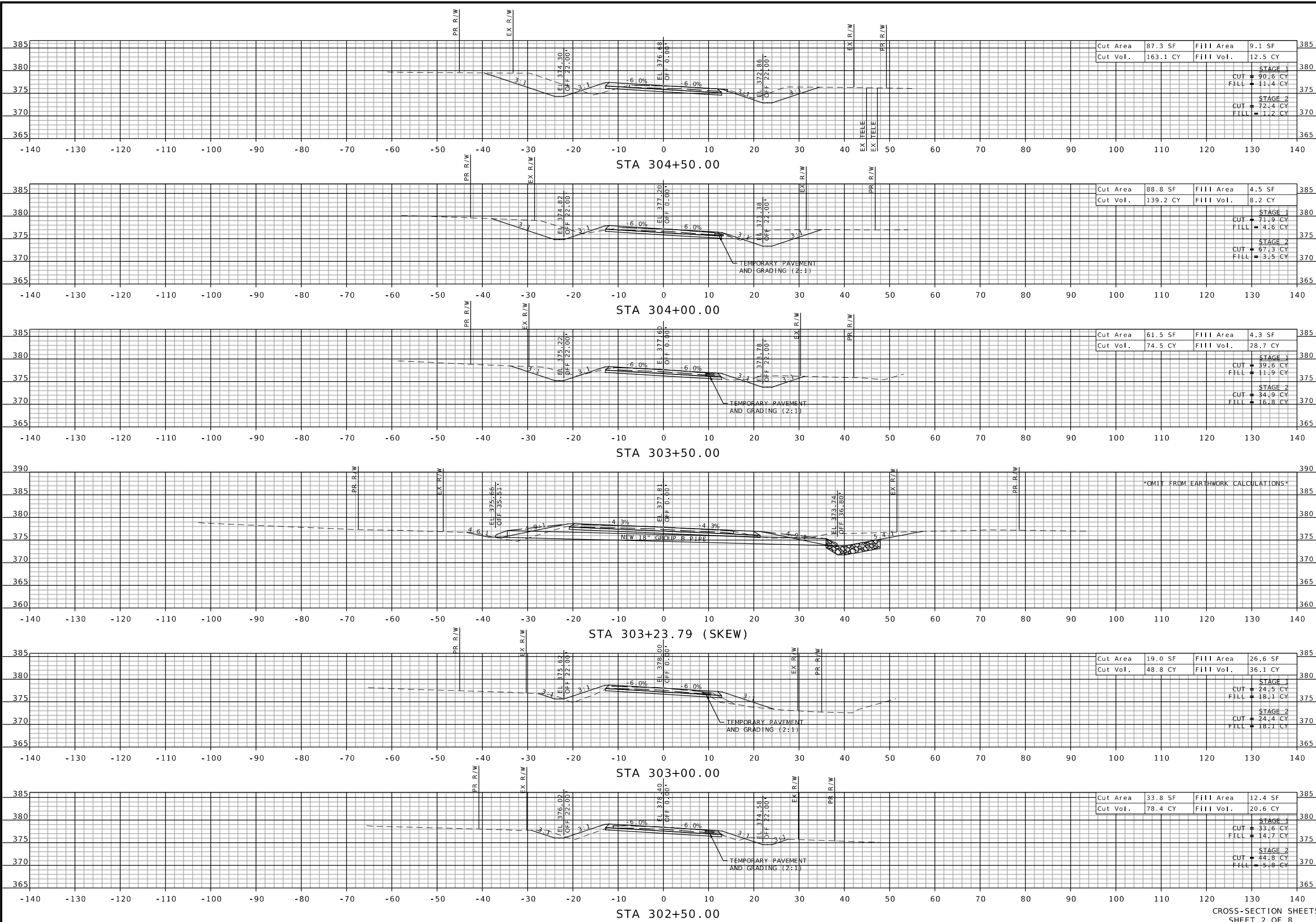
COUNTY
PERRY

JOB NO.
JSE0056

CONTRACT ID.

PROJECT NO.

BRIDGE NO.



DESCRIPTION

DATE

MISSOURI HIGHWAYS AND TRANSPORTATION COMMISSION



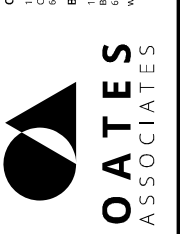
St. Louis
720 Olive, Suite 700
63101
314.588.8381

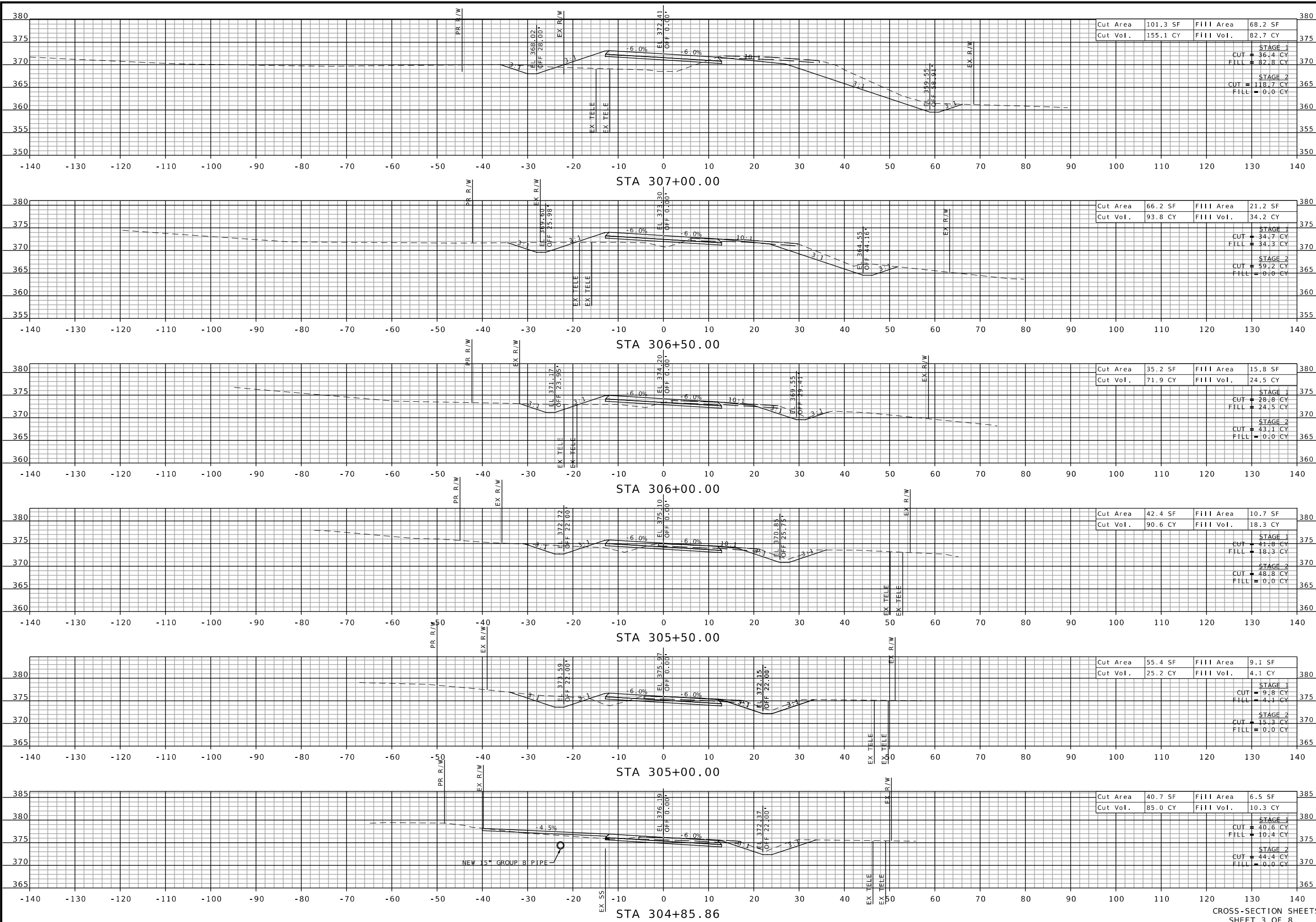
St. Charles
820 South Main, Suite 200
St. Charles, MO 63301
636.493.6277

Collinsville
1000 W. Court, Suite 11
63624
618.345.2200

Bellville
1 South Church, Suite 200
Bellville, IL 62220
618.616.6688
www.oatesassociates.com

MISSOURI DESIGN FIRM PE-001166





STATE OF MISSOURI
BENTLEY M. GEDRIS
NUMBER PE-2019017818
PROFESSIONAL ENGINEER

THIS SHEET HAS BEEN SIGNED, SEALED AND DATED ELECTRONICALLY.

DATE PREPARED		11/18/2025	
ROUTE	C	STATE	MO
DISTRICT	SE	SHEET NO.	3
COUNTY			
PERRY			
JOB NO.			
JSE0056			
CONTRACT ID.			
PROJECT NO.			
BRIDGE NO.			

DATE	DESCRIPTION

MISSOURI HIGHWAYS AND TRANSPORTATION COMMISSION

105 WEST CAPITOL
JEFFERSON CITY, MO 65102
1-888-ASK-MODOT (1-888-275-6636)

St. Louis
720 Olive, Suite 700
St. Charles
314.588.8381

St. Charles
820 South M.A. Sikes 200
St. Charles, MO 63301
636.493.6277

Collinsville
1000 W. Court, Suite 11
618.345.2200

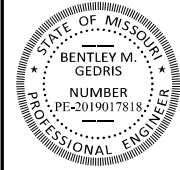
Bellefonte
1 South Church, Suite 200
Bellefonte, IL 62220
618.616.6688

www.oatesassociates.com

MISSOURI DESIGN FIRM PE-001166

OATES ASSOCIATES

CROSS-SECTION SHEETS
SHEET 3 OF 8



THIS SHEET HAS BEEN SIGNED, SEALED AND DATED ELECTRONICALLY.

DATE PREPARED
10/23/2025

ROUTE STATE
C MO

DISTRICT SHEET NO.
SE 4

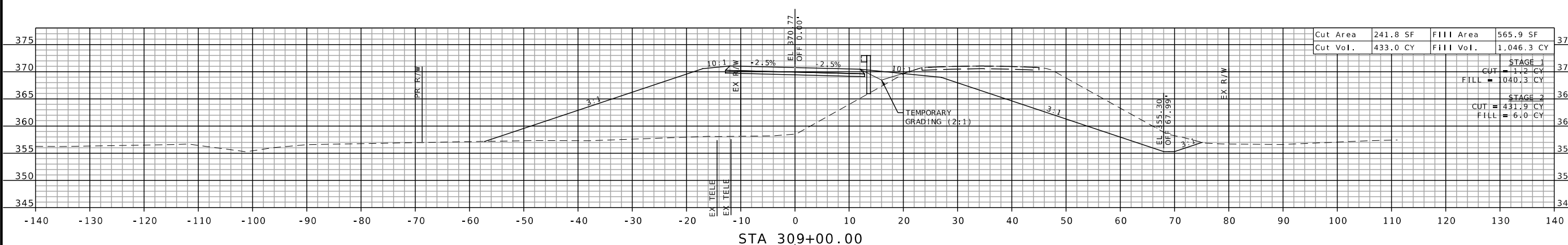
COUNTY
PERRY

JOB NO.
JSE0056

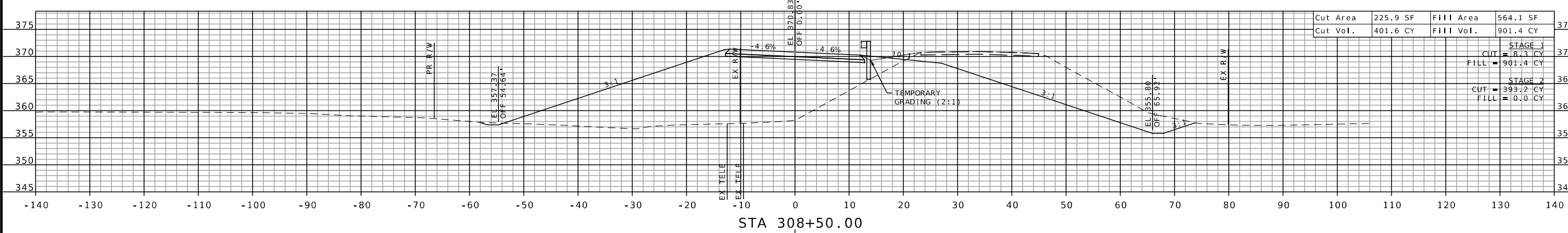
CONTRACT ID.

PROJECT NO.

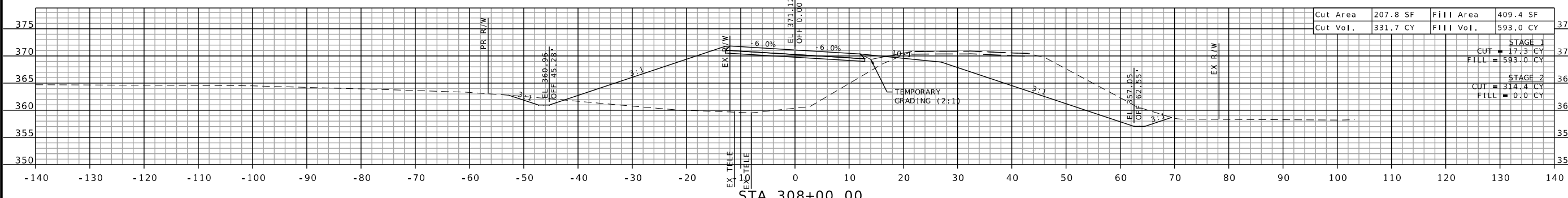
BRIDGE NO.



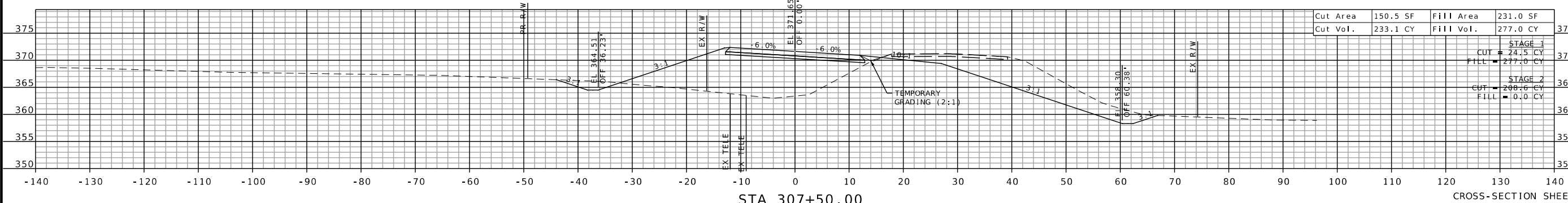
STA 309+00.00



STA 308+50.00



STA 308+00.00



STA 307+50.00

CROSS-SECTION SHEETS
SHEET 4 OF 8

DESCRIPTION	DATE

MISSOURI HIGHWAYS AND TRANSPORTATION COMMISSION

105 WEST CAPITOL
JEFFERSON CITY, MO 65102
1-888-ASK-MODOT (1-888-275-6636)

St. Louis
720 Olive, Suite 700
St. Charles
314.588.8381

St. Charles
820 South N. Main, Suite 200
St. Charles, MO 63101
636.493.6277

Collinsville
1000 W. Court, Suite 1
618.245.2200

Bellville
1 South Church, Suite 200
618.216.6688

MISSOURI DESIGN FIRM PE-001166





THIS SHEET HAS BEEN SIGNED, SEALED AND DATED ELECTRONICALLY.

DATE PREPARED 10/23/2025

ROUTE C STATE MO

DISTRICT SE SHEET NO. 5

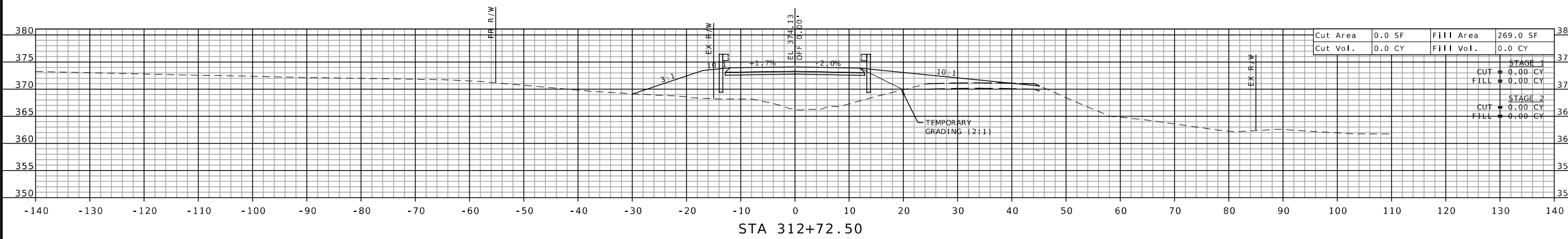
COUNTY PERRY

JOB NO. JSE0056

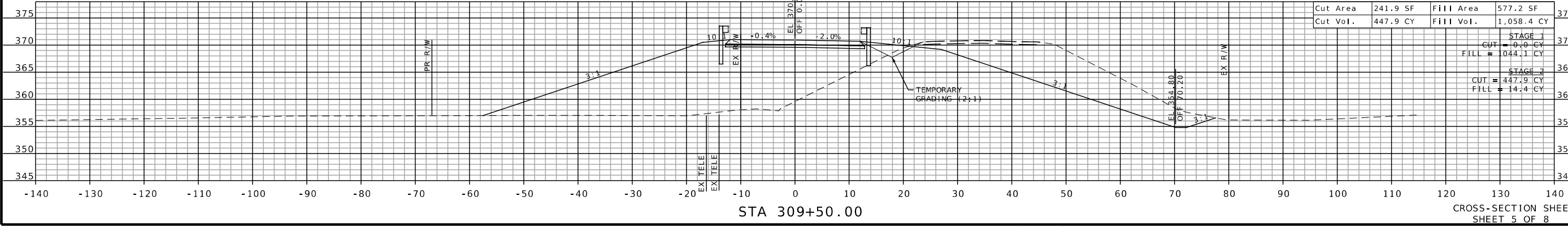
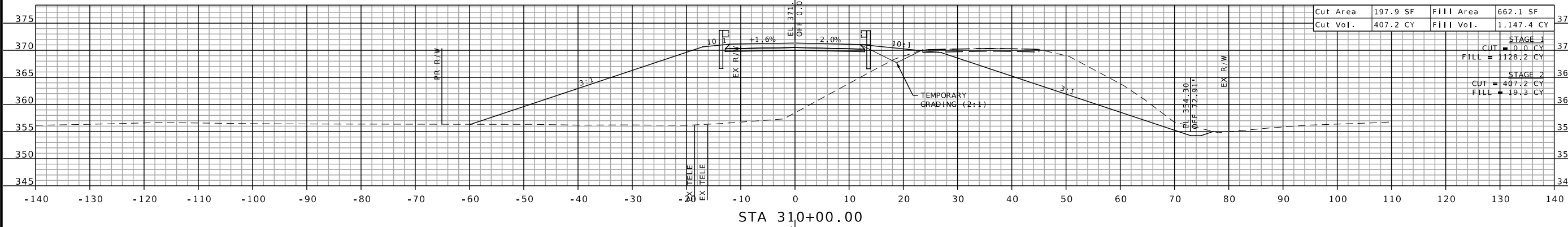
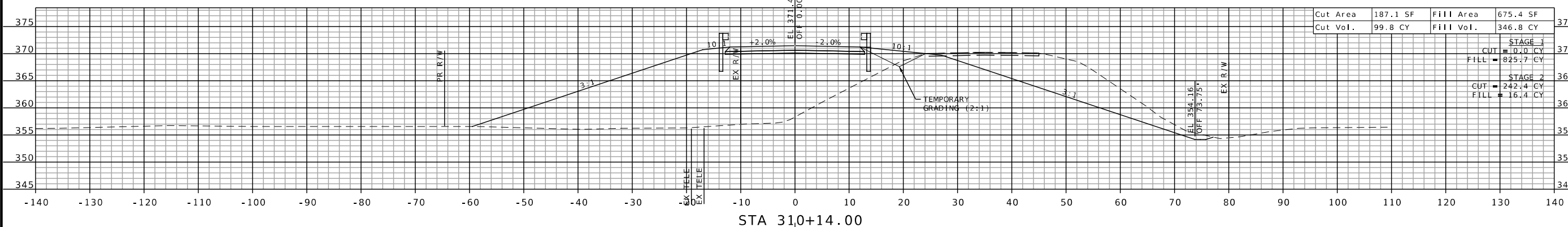
CONTRACT ID.

PROJECT NO.

BRIDGE NO.



BRIDGE OMISSION
STA. 310+14.00 TO 312+72.50



DESCRIPTION	DATE

MISSOURI HIGHWAYS AND TRANSPORTATION COMMISSION

105 WEST CAPITOL
JEFFERSON CITY, MO 65102
1-888-ASK-MODOT (1-888-275-6636)

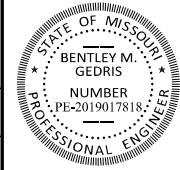
St. Louis
720 Olive, Suite 700
St. Charles
820 South Main, Suite 200
St. Charles, MO 63301
636-493-6277

Collinsville
1000 N. Court, Suite 1
Collinsville, MO 65241
618-345-2200

Bellefonte
1 South Church, Suite 200
Bellefonte, IL 62220
618-616-6688
www.oatesassociates.com

MISSOURI DESIGN FIRM PE-001166





THIS SHEET HAS BEEN SIGNED, SEALED AND DATED ELECTRONICALLY.

DATE PREPARED
10/23/2025

ROUTE STATE
C MO

DISTRICT SHEET NO.
SE 7

COUNTY
PERRY

JOB NO.
JSE0056

CONTRACT ID.

PROJECT NO.

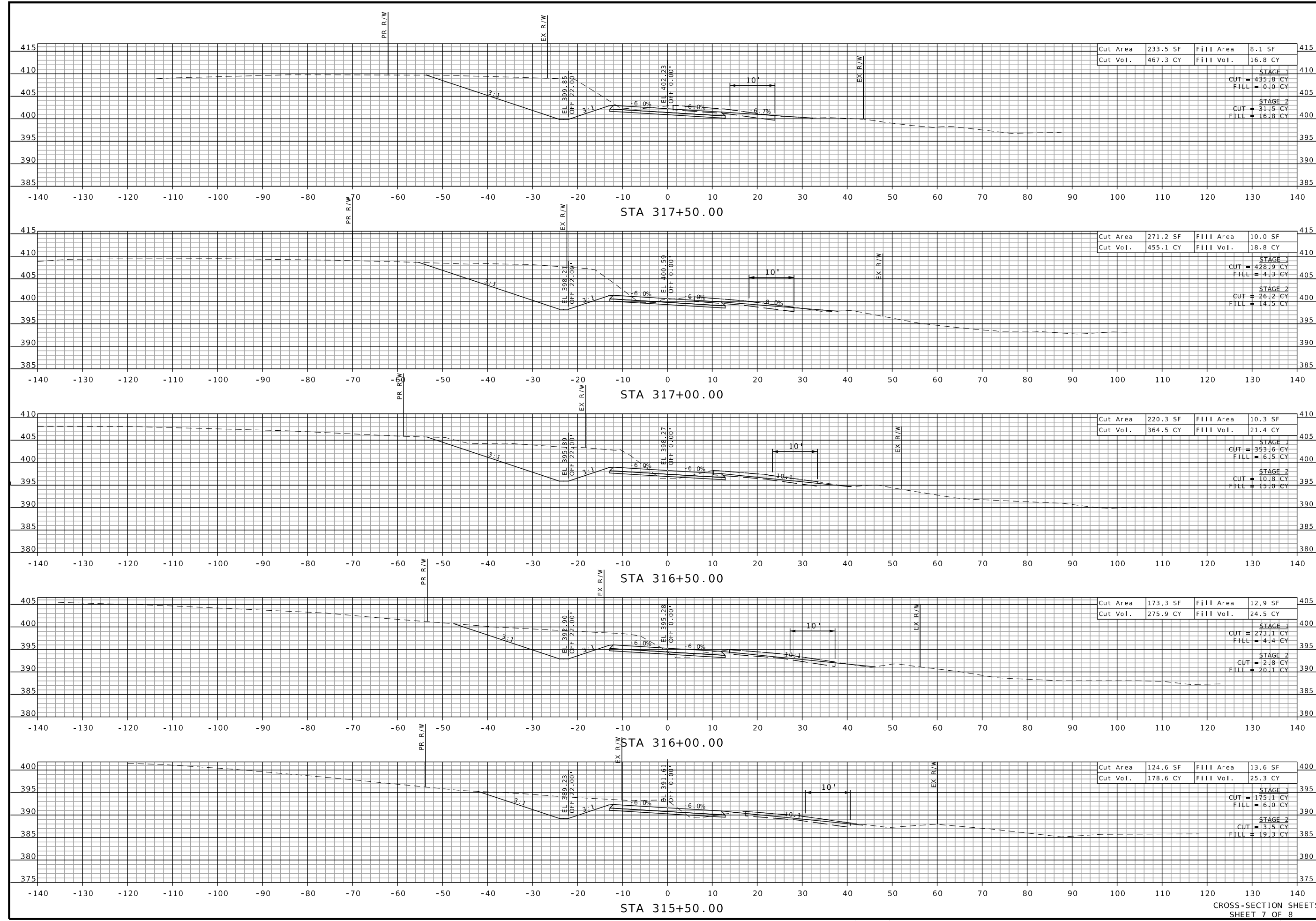
BRIDGE NO.

DATE	DESCRIPTION

MISSOURI HIGHWAYS AND TRANSPORTATION COMMISSION



St. Louis
720 Olive, Suite 700
618.545.2205
618.545.2206
618.545.2207
618.545.2208
618.545.2209
618.545.2210
618.545.2211
618.545.2212
618.545.2213
618.545.2214
618.545.2215
618.545.2216
618.545.2217
618.545.2218
618.545.2219
618.545.2220
618.545.2221
618.545.2222
618.545.2223
618.545.2224
618.545.2225
618.545.2226
618.545.2227
618.545.2228
618.545.2229
618.545.2230
618.545.2231
618.545.2232
618.545.2233
618.545.2234
618.545.2235
618.545.2236
618.545.2237
618.545.2238
618.545.2239
618.545.2240



Cut Area	233.5 SF	Fill Area	8.1 SF
Cut Vol.	467.3 CY	Fill Vol.	16.8 CY

STAGE 1
CUT = 435.8 CY
FILL = 0.0 CY

STAGE 2
CUT = 31.5 CY
FILL = 16.8 CY

Cut Area	271.2 SF	Fill Area	10.0 SF
Cut Vol.	455.1 CY	Fill Vol.	18.8 CY

STAGE 1
CUT = 428.9 CY
FILL = 4.3 CY

STAGE 2
CUT = 26.2 CY
FILL = 14.5 CY

Cut Area	220.3 SF	Fill Area	10.3 SF
Cut Vol.	364.5 CY	Fill Vol.	21.4 CY

STAGE 1
CUT = 353.6 CY
FILL = 6.5 CY

STAGE 2
CUT = 10.8 CY
FILL = 15.0 CY

Cut Area	173.3 SF	Fill Area	12.9 SF
Cut Vol.	275.9 CY	Fill Vol.	24.5 CY

STAGE 1
CUT = 273.1 CY
FILL = 4.4 CY

STAGE 2
CUT = 2.8 CY
FILL = 20.1 CY

Cut Area	124.6 SF	Fill Area	13.6 SF
Cut Vol.	178.6 CY	Fill Vol.	25.3 CY

STAGE 1
CUT = 175.1 CY
FILL = 6.0 CY

STAGE 2
CUT = 3.5 CY
FILL = 19.3 CY

CROSS-SECTION SHEETS
SHEET 7 OF 8

