

THIS SHEET HAS BEEN
SIGNED, SEALED AND DATED
ELECTRONICALLY.

DATE PREPARED
1/5/2026

ROUTE STATE
VAR MO

DISTRICT SHEET NO.
SL 3

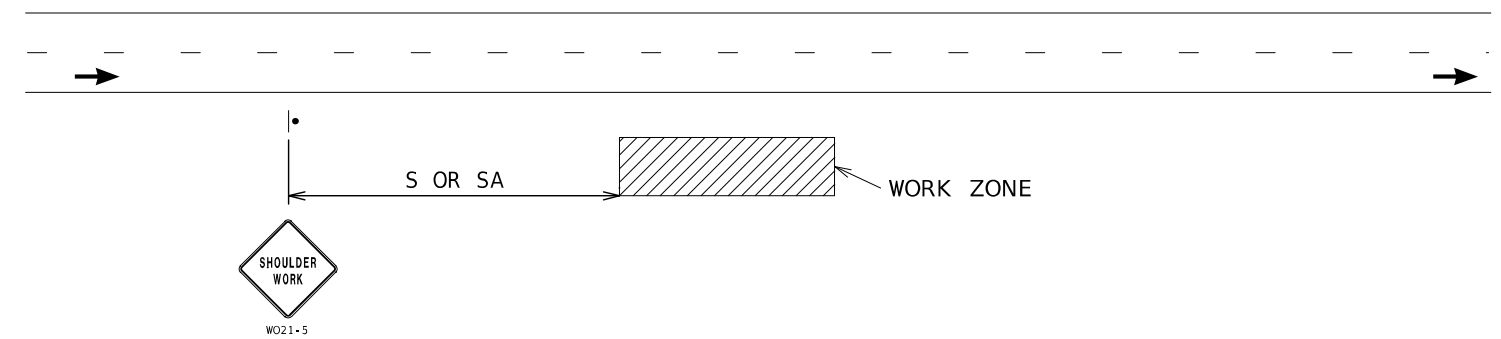
COUNTY
VARIOUS

JOB NO.
JSL0101

CONTRACT ID.

PROJECT NO.

BRIDGE NO.



WORK BEYOND SHOULDER - UNDIVIDED OR DIVIDED ROADWAYS

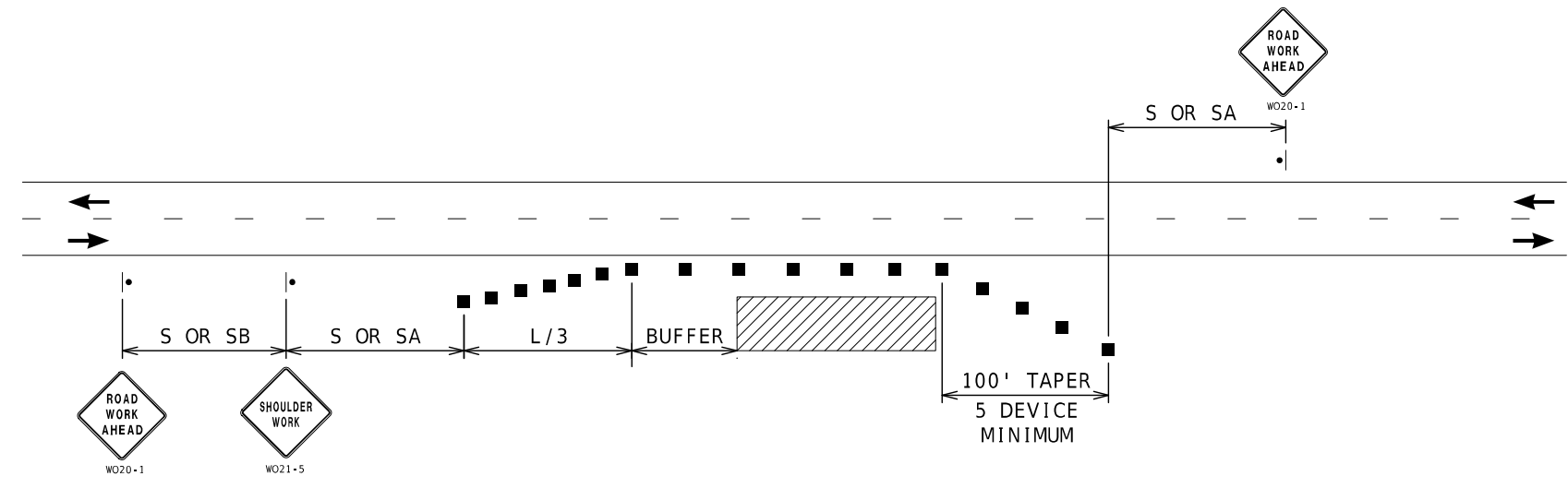
USED FOR WORK THAT OCCURS OFF THE ROADWAY SHOULDER BUT WITHIN THE CLEAR ZONE.
NOT TO BE USED WHEN WORK VEHICLES ARE PARKED ALONG THE SHOULDER EVEN WHEN
THE WORK IS BEING PERFORMED OFF THE SHOULDER.

NOTES:

SEE TCP SHEET 1 FOR SIGN SPACING AND TAPER LENGTHS.

NOT TO SCALE

DATE	DESCRIPTION



SHOULDER WORK - UNDIVIDED ROADWAYS

USED FOR WORK ON SHOULDER OR FOR WORK OFF SHOULDER
WITH WORK VEHICLES PARKED ON THE SHOULDER.

NOTES:

SEE TCP SHEET 1 FOR SIGN SPACING AND TAPER LENGTHS.

NOT TO SCALE

DISCLAIMER
THE PROFESSIONAL WHOSE SIGNATURE AND PERSONAL
SEAL APPEAR HEREON ASSUMES RESPONSIBILITY
ONLY FOR WHAT APPEARS ON THIS PAGE, AND
DISCLAIMS (PURSUANT TO SECTION 327.411 RSMO)
SPECIFICATION, ESTIMATES, REPORTS, OR OTHER
DOCUMENTS OR INSTRUMENTS NOT SEALED BY THE
UNDERSIGNED PROFESSIONAL RELATING TO OR
INTENDED TO BE USED FOR ANY PART OR PARTS OF
THE PROJECT TO WHICH THIS PAGE REFERS.

MISSOURI HIGHWAYS AND TRANSPORTATION
COMMISSION

105 WEST CAPITOL
JEFFERSON CITY, MO 65102
1-888-ASK-MODOT (1-888-275-6636)

TRAFFIC CONTROL
SHEET 2 OF 10

