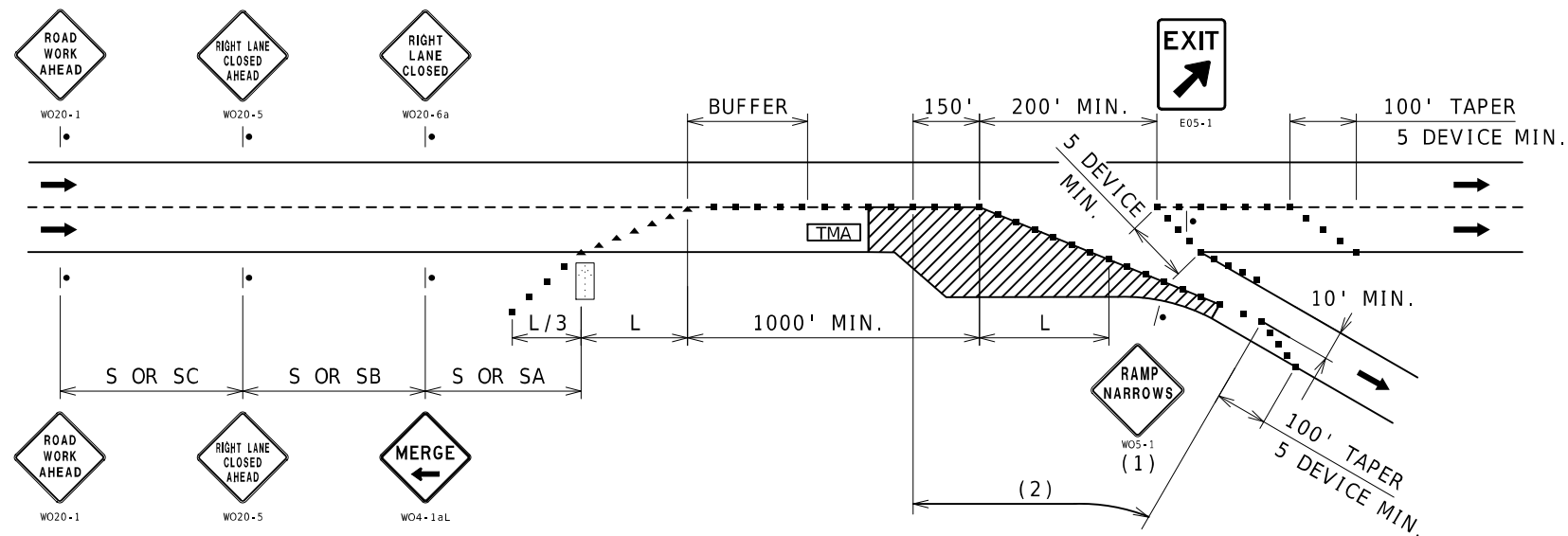


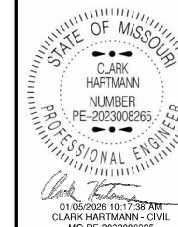
NOTES:  
 SEE TCP SHEET 1 FOR SIGN SPACING AND TAPER LENGTHS.  
 (1) SIGN ONLY REQUIRED WHEN RAMP WIDTH IS REDUCED.  
 (2) CHANNELIZER SPACING AT 50'.

### EXIT RAMP AREA MAINLINE WORK



NOTES:  
 SEE TCP SHEET 1 FOR SIGN SPACING AND TAPER LENGTHS.  
 (1) SIGN ONLY REQUIRED WHEN RAMP WIDTH IS REDUCED.  
 (2) CHANNELIZER SPACING AT 50'.

### EXIT RAMP AREA DECELERATION LANE WORK

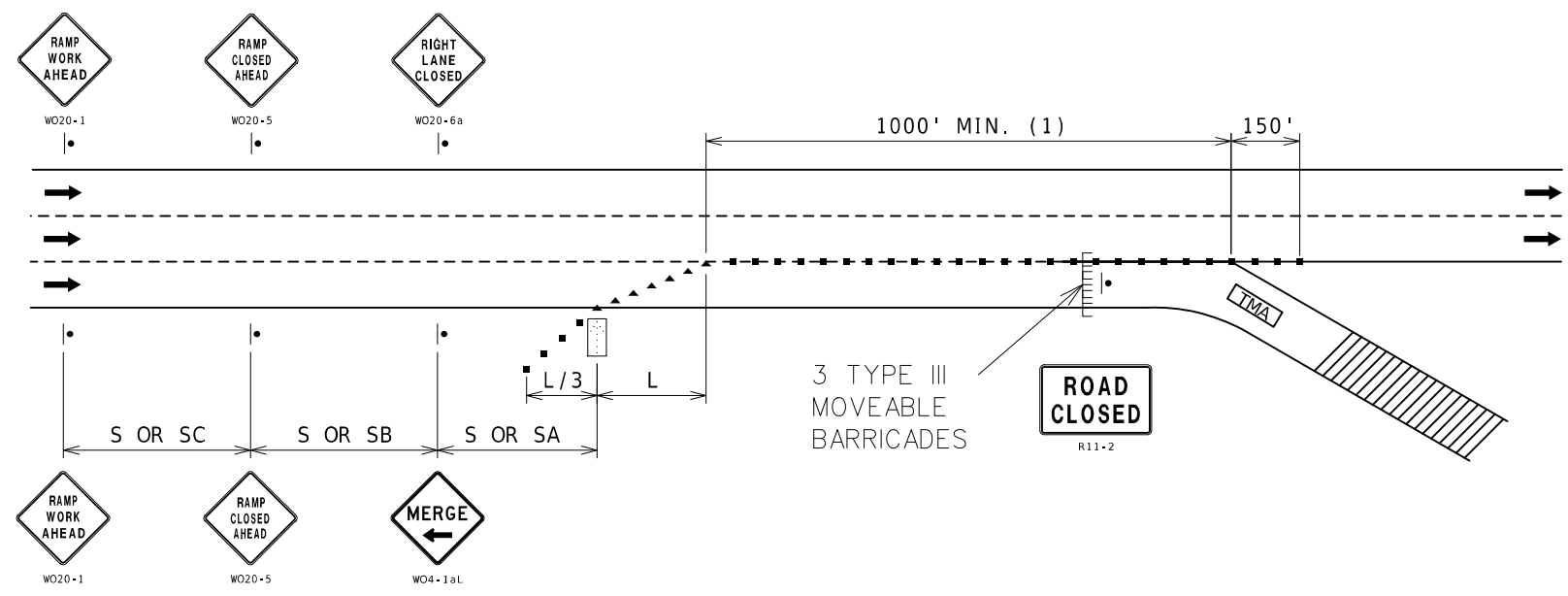


DATE PREPARED  
 1/5/2026  
 ROUTE  
 VAR  
 DISTRICT  
 KC  
 COUNTY  
 VARIOUS  
 JOB NO.  
 JKU0319  
 CONTRACT ID.  
 PROJECT NO.  
 BRIDGE NO.

DATE	DESCRIPTION

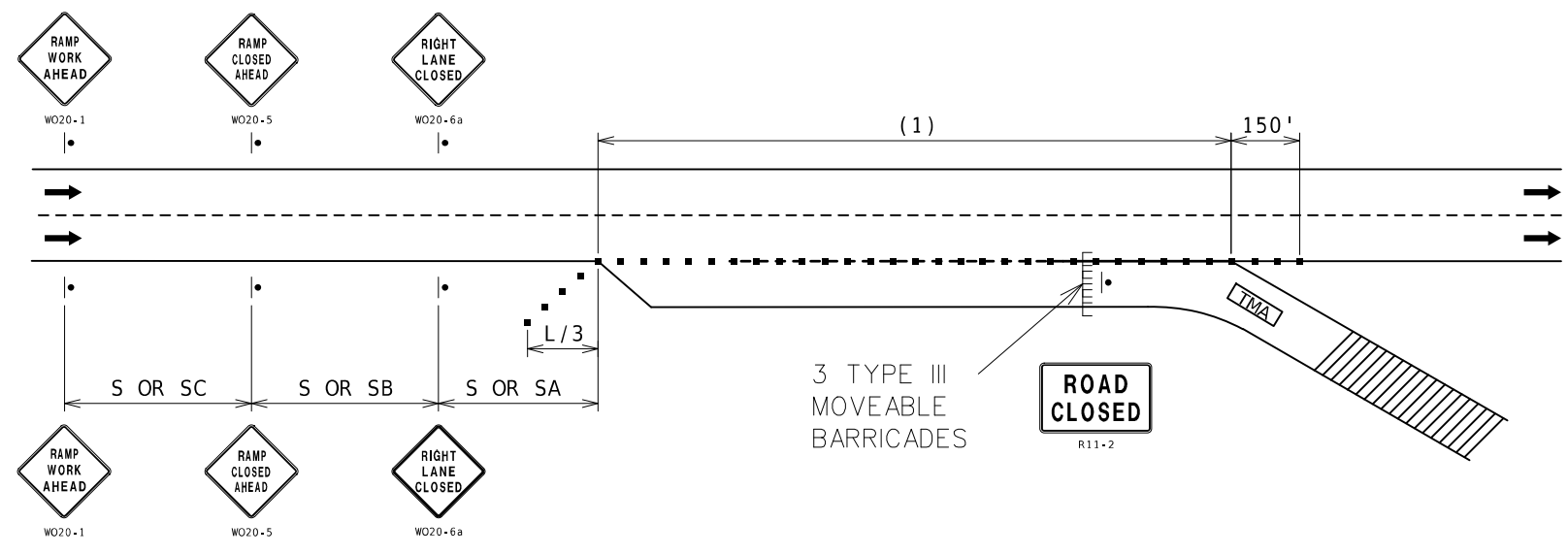
MISSOURI HIGHWAYS AND TRANSPORTATION  
 COMMISSION  
 105 WEST CAPITOL  
 JEFFERSON CITY, MO 65102  
 1-888-ASK-MODOT (1-888-275-6636)

TRAFFIC CONTROL  
 SHEET 7 OF 9



NOTES:  
 SEE TCP SHEET 1 FOR SIGN SPACING AND TAPER LENGTHS.  
 (1) CHANNELIZER SPACING AT 50'.

### RAMP CLOSURE



NOTES:  
 SEE TCP SHEET 1 FOR SIGN SPACING AND TAPER LENGTHS.  
 (1) CHANNELIZER SPACING AT 50'.

### RAMP CLOSURE



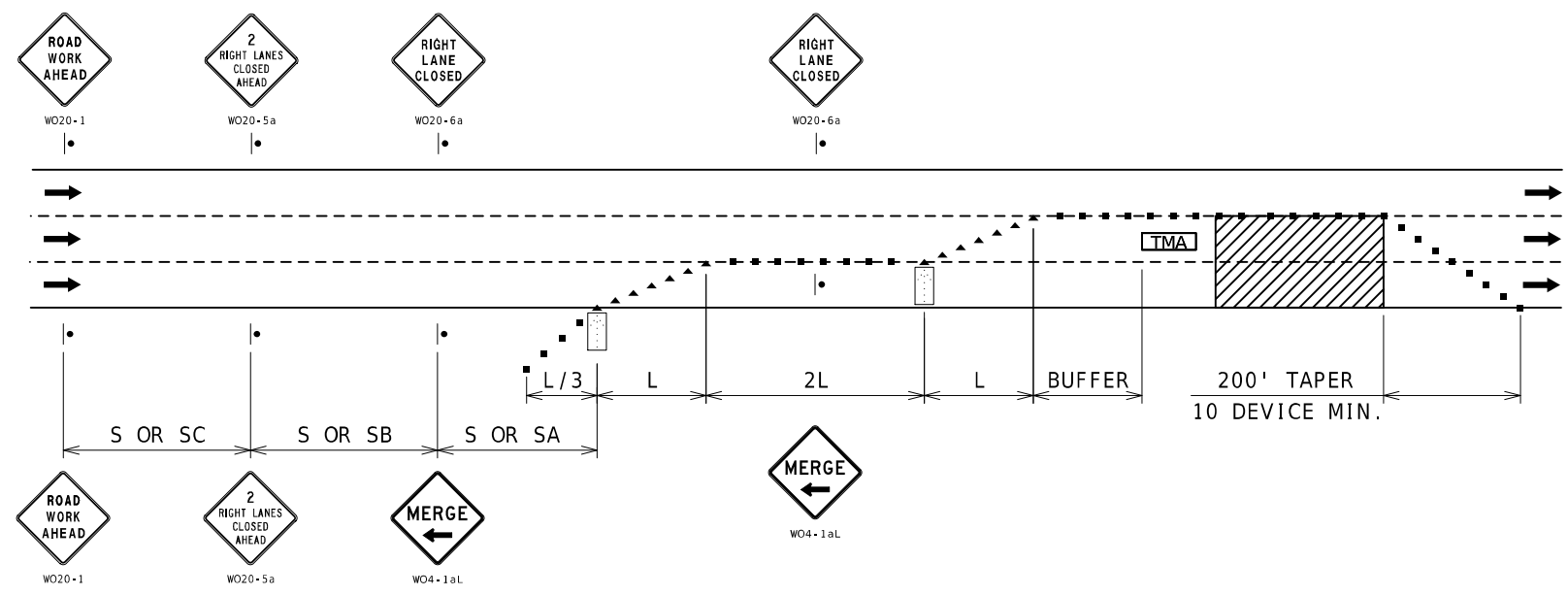
DATE PREPARED 1/5/2026	
ROUTE VAR	STATE MO
DISTRICT KC	SHEET NO. 9
COUNTY VARIOUS	
JOB NO. JKU0319	
CONTRACT ID.	
PROJECT NO.	
BRIDGE NO.	

DATE	DESCRIPTION

MISSOURI HIGHWAYS AND TRANSPORTATION COMMISSION

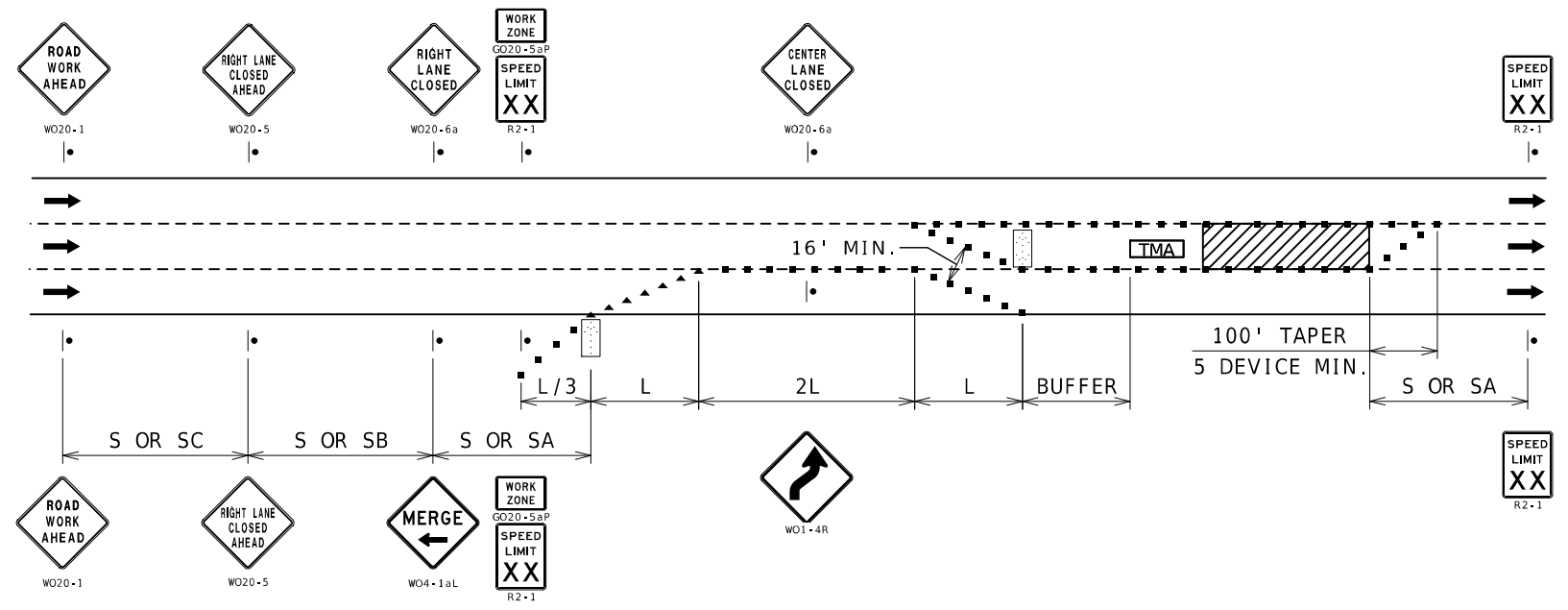
105 WEST CAPITOL  
 JEFFERSON CITY, MO 65102  
 1-888-ASK-MODOT (1-888-275-6636)

TRAFFIC CONTROL  
 SHEET 8 OF 9



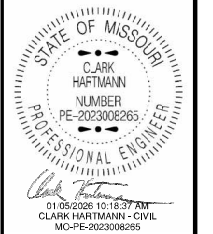
NOTES:  
SEE TCP SHEET 1 FOR SIGN SPACING AND TAPER LENGTHS.

### DOUBLE LANE CLOSURE




NOTES:  
SEE TCP SHEET 1 FOR SIGN SPACING AND TAPER LENGTHS.

### INTERIOR LANE CLOSURE



DATE PREPARED  
1/5/2026  
ROUTE VAR STATE MO  
DISTRICT KC SHEET NO. 10  
COUNTY VARIOUS  
JOB NO. JKU0319  
CONTRACT ID.  
PROJECT NO.  
BRIDGE NO.

DATE	DESCRIPTION

MISSOURI HIGHWAYS AND TRANSPORTATION COMMISSION  
  
 105 WEST CAPITOL JEFFERSON CITY, MO 65102  
 1-888-ASK-MODOT (1-888-275-6636)

TRAFFIC CONTROL SHEET 9 OF 9