


JOB SPECIAL PROVISIONS TABLE OF CONTENTS (ROADWAY)

(Job Special Provisions shall prevail over General Special Provisions whenever in conflict therewith.)

A.	General - Federal JSP-09-02L	1
B.	Contract Liquidated Damages JSP- 13-01D	1
C.	Work Zone Traffic Management JSP-02-06N	2
D.	Emergency Provisions and Incident Management JSP-90-11A	4
E.	Project Contact for Contractor/Bidder Questions JSP-96-05A	5
F.	Supplemental Revisions JSP-18-01KK	6
G.	Utilities JSP-93-26F	12
H.	Clean Water Act Section 404 Permit Requirements NJSP 21-02	14
I.	Contractor Quality Control NJSP-15-42	14
J.	Restrictions for Migratory Birds NJSP-16-06A	16
K.	Slurry and Residue Produced During Surface Treatment of PCCP and Bridge Decks JSP-06-05A	18
L.	Pipe Culverts	19
M.	Flap Gate	19
N.	Optional Pavements JSP 06-06H	22
O.	Liquidated Damages for Winter Months JSP-04-17A	22
P.	Seeding and Mulching Requirements JSP-2503	23
Q.	USGS Stream Gauging Station	23
R.	Guardrail Grading Requirements JSP-17-02B	23
S.	Pavement Marking Log	24
T.	Railroad Requirements	24
U.	Optional Shoulder Rumble Strip	25

Job No.: J9S3725  
Route: 114  
County: Stoddard

	<p><b>MISSOURI HIGHWAYS AND TRANSPORTATION COMMISSION</b> 105 W. CAPITOL AVE. JEFFERSON CITY, MO 65102 Phone 1-888-275-6636</p>
	<p><b>MODJESKI AND MASTERS, INC.</b> 333 South 18<sup>th</sup> Street, Suite 100 St. Louis, Missouri 63103-3002</p>
	<p>Certificate of Authority: 001416 Consultant Phone: 314-588-8115</p>
	<p>If a seal is present on this sheet, JSP's have been electronically sealed and dated.</p>
	<p>JOB NUMBER: JS3725 Stoddard County, MO DATE PREPARED: 2/20/2026</p>
<p>Only the following items of the Job Special Provisions (Roadway) are authenticated by this seal: All</p>	

JOB  
SPECIAL PROVISION

A. General - Federal JSP-09-02L

**1.0 Description.** The Federal Government is participating in the cost of construction of this project. All applicable Federal laws, and the regulations made pursuant to such laws, shall be observed by the contractor, and the work will be subject to the inspection of the appropriate Federal Agency in the same manner as provided in Sec 105.10 of the Missouri Standard Specifications for Highway Construction with all revisions applicable to this bid and contract.

**1.1** This contract requires payment of the prevailing hourly rate of wages for each craft or type of work required to execute the contract as determined by the Missouri Department of Labor and Industrial Relations and requires adherence to a schedule of minimum wages as determined by the United States Department of Labor. For work performed anywhere on this project, the contractor and the contractor's subcontractors shall pay the higher of these two applicable wage rates. State Wage Rates, Information on the Required Federal Aid Provisions, and the current Federal Wage Rates are available on the Missouri Department of Transportation web page at [www.modot.org](http://www.modot.org) under "Doing Business with MoDOT", "Contractor Resources". Effective Wage Rates will be posted 10 days prior to the applicable bid opening. These supplemental bidding documents have important legal consequences. It shall be conclusively presumed that they are in the bidder's possession, and they have been reviewed and used by the bidder in the preparation of any bid submitted on this project.

**1.2** The following documents are available on the Missouri Department of Transportation web page at [www.modot.org](http://www.modot.org) under "Doing Business with MoDOT"; "Standards and Specifications". The effective version shall be determined by the letting date of the project.

General Provisions & Supplemental Specifications

Supplemental Plans to July 2025 Missouri Standard Plans  
For Highway Construction

These supplemental bidding documents contain all current revisions to the published versions and have important legal consequences. It shall be conclusively presumed that they are in the bidder's possession, and they have been reviewed and used by the bidder in the preparation of any bid submitted on this project.

B. Contract Liquidated Damages JSP- 13-01D

**1.0 Description.** Liquidated Damages for failure or delay in completing the work on time for this contract shall be in accordance with Sec 108.8. The liquidated damages include separate amounts for road user costs and contract administrative costs incurred by the Commission.

**2.0 Period of Performance.** Prosecution of work is expected to begin on the date specified below in accordance with Sec 108.2. Regardless of when the work is begun on this contract, all work on all projects shall be completed on or before the date specified below. Completion by this date shall be in accordance with the requirements of Sec 108.7.1.

Notice to Proceed: August 17, 2026  
Contract Completion Date: May 1, 2028

**2.1 Calendar Days and Completion Dates.** Completion of the project is required as specified herein. The count of calendar days will begin on the date the contractor starts any construction operations on the project.

Project	Calendar Days	Daily Road User Cost
<b>J9S3725</b>	<b>270</b>	<b>\$1,800</b>

**3.0 Liquidated Damages for Contract Administrative Costs.** Should the contractor fail to complete the work on or before the contract completion date specified in Section 2.0, or within the number of calendar days specified in Section 2.1, whichever occurs first, the contractor will be charged contract administrative liquidated damages in accordance with Sec 108.8 in the amount of **\$1,500** per calendar day for each calendar day, or partial day thereof, that the work is not fully completed. For projects in combination, these damages will be charged in full for failure to complete one or more projects within the specified contract completion date or calendar days.

**4.0 Liquidated Damages for Road User Costs.** Should the contractor fail to complete the work on or before the contract completion date specified in Section 2.0, or within the number of calendar days specified in Section 2.1, whichever occurs first, the contractor will be charged road user costs in accordance with Sec 108.8 in the amount specified in Section 2.1 for each calendar day, or partial day thereof, that the work is not fully completed. These damages are in addition to the contract administrative damages and any other damages as specified elsewhere in this contract.

C. Work Zone Traffic Management JSP-02-06N

**1.0 Description.** Work zone traffic management shall be in accordance with applicable portions of Division 100 and Division 600 of the Standard Specifications, and specifically as follows.

**1.1 Maintaining Work Zones and Work Zone Reviews.** The Work Zone Specialist (WZS) shall maintain work zones in accordance with Sec 616.3.3 and as further stated herein. The WZS shall coordinate and implement any changes approved by the engineer. The WZS shall ensure all traffic control devices are maintained in accordance with Sec 616, the work zone is operated within the hours specified by the engineer, and will not deviate from the specified hours without prior approval of the engineer. The WZS is responsible to manage work zone delay in accordance with these project provisions. When requested by the engineer, the WZS shall submit a weekly report that includes a review of work zone operations for the week. The report shall identify any problems encountered and corrective actions taken. Work zones are subject to unannounced inspections by the engineer and other departmental staff to corroborate the validity of the WZS's review and may require immediate corrective measures and/or additional work zone monitoring.

**1.2 Work Zone Deficiencies.** Failure to make corrections on time may result in the engineer suspending work. The suspension will be non-excusable and non-compensable regardless if road user costs are being charged for closures.

**2.0 Traffic Management Schedule.**

**2.1** Traffic management schedules shall be submitted to the engineer for review prior to the start of work and prior to any revisions to the traffic management schedule. The traffic management schedule shall include the proposed traffic control measures, the hours traffic control will be in place, and work hours.

**2.2** The traffic management schedule shall conform to the limitations specified in Sec 616 regarding lane closures, traffic shifts, road closures and other width, height and weight restrictions.

**2.3** The engineer shall be notified as soon as practical of any postponement due to weather, material or other circumstances.

**2.4** In order to ensure minimal traffic interference, the contractor shall schedule lane closures for the absolute minimum amount of time required to complete the work. Lanes shall not be closed until material is available for continuous construction and the contractor is prepared to diligently pursue the work until the closed lane is opened to traffic.

**2.5 Traffic Congestion.** The contractor shall, upon approval of the engineer, take proactive measures to reduce traffic congestion in the work zone. The contractor shall immediately implement appropriate mitigation strategies whenever traffic congestion reaches an excess of 10 minutes to prevent congestion from escalating to 15 minute or above threshold. If disruption of the traffic flow occurs and traffic is backed up in queues of 15 minute delays or longer, then the contractor shall immediately review the construction operations which contributed directly to disruption of the traffic flow and make adjustments to the operations to prevent the queues from reoccurring. Traffic delays may be monitored by physical presence on site or by utilizing real-time travel data through the work zone that generate text and/or email notifications where available. The engineer monitoring the work zone may also notify the contractor of delays that require prompt mitigation. The contractor may work with the engineer to determine what other alternative solutions or time periods would be acceptable.

### **2.5.1 Traffic Safety.**

**2.5.1.1 Recurring Congestion.** Where traffic queues routinely extend to within 1000 feet of the ROAD WORK AHEAD, or similar, sign on a divided highway or to within 500 feet of the ROAD WORK AHEAD, or similar, sign on an undivided highway, the contractor shall extend the advance warning area, as approved by the engineer.

**2.5.1.2 Non-Recurring Congestion.** When traffic queues extend to within 1000 feet of the ROAD WORK AHEAD, or similar, sign on a divided highway or to within 500 feet of the ROAD WORK AHEAD, or similar, sign on an undivided highway infrequently, the contractor shall deploy a means of providing advance warning of the traffic congestion, as approved by the engineer. The warning location shall be no less than 1000 feet and no more than 0.5 mile in advance of the end of the traffic queue on divided highways and no less than 500 feet and no more than 0.5 mile in advance of the end of the traffic queue on undivided highways.

### **3.0 Work Hour Restrictions.**

**3.1** Except for emergency work, as determined by the engineer, and long term lane closures required by project phasing, all lanes shall be scheduled to be open to traffic during the five major holiday periods shown below, from 12:00 noon on the last working day preceding the holiday until

6:00 a.m. on the first working day subsequent to the holiday unless otherwise approved by the engineer.

Memorial Day  
Labor Day  
Thanksgiving  
Christmas  
New Year's Day

**3.1.1 Independence Day.** The lane restrictions specified in Section 3.1 shall also apply to Independence Day, except that the restricted periods shall be as follows:

<b>When Independence Day falls on:</b>	<b>The Holiday is Observed on:</b>	<b>Halt Lane Closures beginning at:</b>	<b>Allow Lane Closures to resume at:</b>
Sunday	Monday	Noon on Friday	6:00 a.m. on Tuesday
Monday	Monday	Noon on Friday	6:00 a.m. on Tuesday
Tuesday	Tuesday	Noon on Monday	6:00 a.m. on Wednesday
Wednesday	Wednesday	Noon on Tuesday	6:00 a.m. on Thursday
Thursday	Thursday	Noon on Wednesday	6:00 a.m. on Friday
Friday	Friday	Noon on Thursday	6:00 a.m. on Monday
Saturday	Friday	Noon on Thursday	6:00 a.m. on Monday

#### **4.0 Detours and Lane Closures.**

**4.1** When a changeable message sign (CMS) is provided, the contractor shall use the CMS to notify motorists of future traffic disruption and possible traffic delays one week before traffic is shifted to a detour or prior to lane closures. The CMS shall be installed at a location as approved or directed by the engineer. If a CMS with Communication Interface is required, then the CMS shall be capable of communication prior to installation on right of way. All messages planned for use in the work zone shall be approved and authorized by the engineer or its designee prior to deployment. When permanent dynamic message signs (DMS) owned and operated by MoDOT are located near the project, they may also be used to provide warning and information for the work zone. Permanent DMS shall be operated by the TMC, and any messages planned for use on DMS shall be approved and authorized by the TMC at least 72 hours in advance of the work.

**5.0 Basis of Payment.** No direct payment will be made to the contractor to recover the cost of equipment, labor, materials, or time required to fulfill the above provisions, unless specified elsewhere in the contract document. All authorized changes in the traffic control plan shall be provided for as specified in Sec 616.

#### **D. Emergency Provisions and Incident Management JSP-90-11A**

**1.0** The contractor shall have communication equipment on the construction site or immediate access to other communication systems to request assistance from law enforcement or other emergency agencies for incident management. In case of traffic accidents or the need for law enforcement to direct or restore traffic flow through the job site, the contractor shall notify law enforcement or other emergency agencies immediately as needed. The area engineer's office shall also be notified when the contractor requests emergency assistance.

**2.0** In addition to the 911 emergency telephone number for ambulance, fire or law enforcement services, the following agencies may also be notified for accident or emergency situation within the project limits.

Missouri Highway Patrol 1-800-525-5555		
Stoddard County		
Sheriff: 573-568-4654		

**2.1** This list is not all inclusive. Notification of the need for wrecker or tow truck services will remain the responsibility of the appropriate law enforcement agency.

**2.2** The contractor shall notify law enforcement and emergency agencies before the start of construction to request their cooperation and to provide coordination of services when emergencies arise during the construction at the project site. When the contractor completes this notification with law enforcement and emergency agencies, a report shall be furnished to the engineer on the status of incident management.

**3.0** No direct pay will be made to the contractor to recover the cost of the communication equipment, labor, materials or time required to fulfill the above provisions.

**E. Project Contact for Contractor/Bidder Questions JSP-96-05A**

**1.0** All questions concerning this project during the bidding process shall be forwarded to the project contact listed below.

Donna Philpot, Project Contact  
 MoDOT Southeast District  
 2675 N. Main Street  
 Sikeston, MO 63801

Telephone Number: 573-258-0544  
 Email: [Donna.Philpot@modot.mo.gov](mailto:Donna.Philpot@modot.mo.gov)

**1.1** All questions concerning the bid document preparation can be directed to the Central Office – Design as listed below.

Telephone Number: (573) 751-2876  
 Email: [BCS@modot.mo.gov](mailto:BCS@modot.mo.gov)

**2.0** Upon award and execution of the contract, the successful bidder/contractor shall forward all questions and coordinate the work with the engineer listed below:

Matthew Wilkerson  
 282 County Route 523  
 Poplar Bluff, MO 63901  
 Telephone Number: 573-472-5235  
 Email: [matthew.wilkerson@modot.mo.gov](mailto:matthew.wilkerson@modot.mo.gov)

F. Supplemental Revisions JSP-18-01KK

- Compliance with [2 CFR 200.216 – Prohibition on Certain Telecommunications and Video Surveillance Services or Equipment](#).

The Missouri Highways and Transportation Commission shall not enter into a contract (or extend or renew a contract) using federal funds to procure or obtain equipment, services, or systems that uses covered telecommunications equipment or services as substantial or as critical technology as part of any system where the video surveillance and telecommunications equipment was produced by Huawei Technologies Company, ZTE Corporation, Hytera Communications Corporation, Hangzhou Hikvision Digital Technology Company, or Dahua Technology Company (or any subsidiary or affiliate of such entities).

- Stormwater Compliance Requirements

**1.0 Description.** This provision requires the contractor to provide a Water Pollution Control Manager (WPCM) for any project that includes land disturbance on the project site and the total area of land disturbance, both on the project site, and all Off-site support areas, is one (1) acre or more. Regardless of the area of Off-site disturbance, if no land disturbance occurs on the project site, these provisions do not apply. When a WPCM is required, all sections within this provision shall be applicable, including assessment of specified Liquidated Damages for failure to correct Stormwater Deficiencies, as specified herein. This provision is in addition to any other stormwater, environmental, and land disturbance requirements specified elsewhere in the contract.

**1.1 Definitions.** The project site is defined as all areas designated on the plans, including temporary and permanent easements. The project site is equivalent to the “permitted site”, as defined in MoDOT’s State Operating Permit. An Off-site area is defined as any location off the project site the contractor utilizes for a dedicated project support function, such as, but not limited to, staging area, plant site, borrow area, or waste area.

**1.2 Reporting of Off-Site Land Disturbance.** If the project includes any planned land disturbance on the project site, prior to the start of work, the contractor shall submit a written report to the engineer that discloses all Off-site support areas where land disturbance is planned, the total acreage of anticipated land disturbance on those sites, and the land disturbance permit number(s). Upon request by the engineer, the contractor shall submit a copy of its land disturbance permit(s) for Off-site locations. Based on the total acreage of land disturbance, both on and Off-site, the engineer shall determine if these Stormwater Compliance Requirements shall apply. The Contractor shall immediately report any changes to the planned area of Off-site land disturbance. The Contractor is responsible for obtaining its own separate land disturbance permit for Off-site areas.

**2.0 Water Pollution Control Manager (WPCM).** The Contractor shall designate a competent person to serve as the Water Pollution Control Manager (WPCM) for projects meeting the description in Section 1.0. The Contractor shall ensure the WPCM completes all duties listed in Section 2.1.

**2.1 Duties of the WPCM:**

- (a) Be familiar with the stormwater requirements including the current MoDOT State Operating Permit for construction stormwater discharges/land disturbance activities;

MoDOT's statewide Stormwater Pollution Prevention Plan (SWPPP); the Corps of Engineers Section 404 Permit, when applicable; the project specific SWPPP, the Project's Erosion & Sediment Control Plan; all applicable special provisions, specifications, and standard drawings; and this provision;

- (b) Successfully complete the MoDOT Stormwater Training Course within the last 4 years. The MoDOT Stormwater Training is a free online course available at MoDOT.org;
- (c) Attend the Pre-Activity Meeting for Grading and Land Disturbance and all subsequent Weekly Meetings in which grading activities are discussed;
- (d) Oversee and ensure all work is performed in accordance with the Project-specific SWPPP and all updates thereto, or as designated by the engineer;
- (e) Review the project site for compliance with the Project SWPPP, as needed, from the start of any grading operations until final stabilization is achieved, and take necessary actions to correct any known deficiencies to prevent pollution of the waters of the state or adjacent property owners prior to the engineer's weekly inspections;
- (f) Review and acknowledge receipt of each MoDOT Inspection Report (Land Disturbance Inspection Record) for the Project within forty eight (48) hours of receiving the report and ensure that all Stormwater Deficiencies noted on the report are corrected as soon as possible, but no later than stated in Section 5.0.

**3.0 Pre-Activity Meeting for Grading/Land Disturbance and Required Hold Point.** A Pre-Activity meeting for grading/land disturbance shall be held prior to the start of any land disturbance operations. No land disturbance operations shall commence prior to the Pre-Activity meeting except work necessary to install perimeter controls and entrances. Discussion items at the pre-activity meeting shall include a review of the Project SWPPP, the planned order of grading operations, proposed areas of initial disturbance, identification of all necessary BMPs that shall be installed prior to commencement of grading operations, and any issues relating to compliance with the Stormwater requirements that could arise in the course of construction activity at the project.

**3.1 Hold Point.** Following the pre-activity meeting for grading/land disturbance and subsequent installation of the initial BMPs identified at the pre-activity meeting, a Hold Point shall occur prior to the start of any land disturbance operations to allow the engineer and WPCM the time needed to perform an on-site review of the installation of the BMPs to ensure compliance with the SWPPP is met. Land disturbance operations shall not begin until authorization is given by the engineer.

**4.0 Inspection Reports.** Weekly and post run-off inspections will be performed by the engineer and each Inspection Report (Land Disturbance Inspection Record) will be entered into a web-based Stormwater Compliance database. The WPCM will be granted access to this database and shall promptly review all reports, including any noted deficiencies, and shall acknowledge receipt of the report as required in Section 2.1 (f.).

**5.0 Stormwater Deficiency Corrections.** All stormwater deficiencies identified in the Inspection Report shall be corrected by the contractor within 7 days of the inspection date or any extended period granted by the engineer when weather or field conditions prohibit the corrective work. If the contractor does not initiate corrective measures within 5 calendar days of the inspection date or any extended period granted by the engineer, all work shall cease on the project except for

work to correct these deficiencies, unless otherwise allowed by the engineer. All impact costs related to this halting of work, including, but not limited to stand-by time for equipment, shall be borne by the Contractor. Work shall not resume until the engineer approves the corrective work.

**5.1 Liquidated Damages.** If the Contractor fails to complete the correction of all Stormwater Deficiencies listed on the MoDOT Inspection Report within the specified time limit, the Commission will be damaged in various ways, including but not limited to, potential liability, required mitigation, environmental clean-up, fines, and penalties. These damages are not reasonably capable of being computed or quantified. Therefore, the contractor will be charged with liquidated damages specified in the amount of \$2,000 per day for failure to correct one or more of the Stormwater Deficiencies listed on the Inspection Report within the specified time limit. In addition to the stipulated damages, the stoppage of work shall remain in effect until all corrections are complete.

**6.0 Basis of Payment.** No direct payment will be made for compliance with this provision.

- **Delete Sec 106.9 in its entirety and substitute the following:**

**106.9 Buy America Requirements.**

Buy America Requirements are waived if the total amount of Federal financial assistance applied to the project, through awards or subawards, is below \$500,000.

**106.9.1 Buy America Requirements for Iron or Steel Products.**

The contractor's attention is directed to Title 23 CFR 635.410 *Buy America Requirements*. Where articles, materials or supplies that consist wholly or predominantly of iron or steel or a combination of both are to be permanently incorporated into the contract work, steel and iron material shall be manufactured, from the initial melting stage through the application of coatings, in the USA except for "minimal use" as described herein. Predominantly of iron or steel or a combination of both means that the cost of the iron and steel content exceeds 50 percent of the total cost of all its components. Under a general waiver from FHWA the use of pig iron and processed, pelletized, and reduced iron ore manufactured outside of the USA will be permitted in the domestic manufacturing process for steel or iron material.

**106.9.1.1** Any sources other than the USA as defined will be considered foreign. The required domestic manufacturing process shall include formation of ingots and any subsequent process. Coatings shall include any surface finish that protects or adds value to the product.

**106.9.1.2** "Minimal use" of foreign steel, iron or coating processes will be permitted, provided the cost of such products does not exceed 1/10 of one percent (0.1 percent) of the total contract cost or \$2,500.00, whichever is greater. If foreign steel, iron, or coating processes are used, invoices to document the cost of the foreign portion, as delivered to the project, shall be provided and the engineer's written approval obtained prior to placing the material in any work.

**106.9.1.3** Buy America requirements include a step certification for all fabrication processes of all steel or iron materials that are accepted per Sec 1000. The AASHTO Product Evaluation and Audit Solutions compliance program verifies that all steel and iron products fabrication processes conform to 23 CFR 635.410 Buy America Requirements and is an acceptable standard per 23 CFR 635.410(d). AASHTO Product Evaluation and Audit Solutions compliant suppliers will not be required to submit step certification documentation with the shipment for some selected steel and iron materials. The AASHTO Product Evaluation and Audit Solutions compliant supplier shall

maintain the step certification documentation on file and shall provide this documentation to the engineer upon request.

**106.9.1.3.1** Items designated as Category 1 will consist of steel girders, piling, and reinforcing steel installed on site. Category 1 items require supporting documentation prior to incorporation into the project showing all steps of manufacturing, including coating, as being completed in the United States and in accordance with CFR Title 23 Section 635.410 Buy America Requirements. This includes the Mill Test Report from the original producing steel mill and certifications documenting the manufacturing process for all subsequent fabrication, including coatings. The certification shall include language that certifies all steel and iron materials permanently incorporated in this project was procured and processed domestically and all manufacturing processes, including coating, as being completed in the United States and in accordance with CFR Title 23 Section 635.410.

**106.9.1.3.2** Items designated as Category 2 will include all other steel or iron products not in Category 1 and permanently incorporated in the project. Category 2 items shall consist of, but not be limited to items such as fencing, guardrail, signing, lighting and signal supports. The prime contractor is required to submit a material of origin form certification prior to incorporation into the project from the fabricator for each item that the product is domestic. The Certificate of Materials Origin form ([link to certificate form](#)) from the fabricator must show all steps of manufacturing, including coating, as being completed in the United States and in accordance with CFR Title 23 Section 635.410 Buy America Requirements and be signed by a fabricator representative. The engineer reserves the right to request additional information and documentation to verify that all Buy America requirements have been satisfied. These documents shall be submitted upon request by the engineer and retained for a period of 3 years after the last reimbursement of the material.

**106.9.1.3.3** Any minor miscellaneous steel or iron items that are not included in the materials specifications shall be certified by the prime contractor as being procured domestically. Examples of these items would be bolts for sign posts, anchorage inserts, etc. The certification shall read "I certify that all steel and iron materials permanently incorporated in this project during all manufacturing processes, including coating, as being completed in the United States and in accordance with CFR Title 23 Section 635.410 Buy America Requirements procured and processed domestically in accordance with CFR Title 23 Section 635.410 Buy America Requirements. Any foreign steel used was submitted and accepted under minor usage". The certification shall be signed by an authorized representative of the prime contractor.

**106.9.1.4** When permitted in the contract, alternate bids may be submitted for foreign steel and iron products. The award of the contract when alternate bids are permitted will be based on the lowest total bid of the contract based on furnishing domestic steel or iron products or 125 percent of the lowest total bid based on furnishing foreign steel or iron products. If foreign steel or iron products are awarded in the contract, domestic steel or iron products may be used; however, payment will be at the contract unit price for foreign steel or iron products.

**106.9.2 Buy America Requirements for Construction Materials other than iron or steel products.**

Construction materials mean articles, materials, or supplies that consist of only one of the items listed. Minor additions of articles, materials, supplies, or binding agents to a construction material do not change the categorization of the construction material. Upon request by the engineer, the contractor shall submit a domestic certification for all construction materials listed that are incorporated into the project.

- (a) Non-ferrous metals
- (b) Plastic and Polymer-based products (including polyvinylchloride, composite building materials, and polymers used in fiber optic cables)
- (c) Glass (including optic glass)
- (d) Fiber optic cable (including drop cable)
- (e) Optical fiber
- (f) Lumber
- (g) Engineered wood
- (h) Drywall

### **106.9.3 Buy America Requirements for Manufactured Products.**

Manufactured products mean articles, materials or supplies that have been processed into a specific form and shape, or combined with other articles, materials or supplies to create a product with different properties than the individual articles, materials or supplies. If an item is classified as an iron or steel product, an excluded material, or other product category as specified by law or in 2 CFR part 184, then it is not a manufactured product. However, an article, material or supply classified as a manufactured product may include components that are iron or steel products, excluded materials, or other product categories as specified by law or in 2 CFR part 184. Mixtures of excluded materials delivered to a work site without final form for incorporation into a project are not a manufactured product.

**106.9.3.1** Produced in the United States, in the case of manufactured products, means:

- (A) For projects obligated on or after October 1, 2025, the product was manufactured in the United States; and
- (B) For projects obligated on or after October 1, 2026, the product was manufactured in the United States and the cost of the components of the manufactured product that are mined, produced, or manufactured in the United States is greater than 55 percent of the total cost of all components of the manufactured product.

**106.9.3.2** (i) With respect to precast concrete products that are classified as manufactured products, components of precast concrete products that consist wholly or predominantly of iron or steel or a combination of both shall meet the requirements of paragraph (b) of this section. The cost of such components shall be included in the applicable calculation for purposes of determining whether the precast concrete product is produced in the United States.

(ii) With respect to intelligent transportation systems and other electronic hardware systems that are installed in the highway right of way or other real property and classified as manufactured products, the cabinets or other enclosures of such systems that consist wholly or predominantly of iron or steel or a combination of both shall meet the requirements of paragraph (b) of this section. The cost of cabinets or other enclosures shall be included in the applicable calculation for purposes of determining whether systems referred to in the preceding sentence are produced in the United States.

### **106.9.4 Waiver for De Minimis Costs for Manufactured and Construction Materials other than iron or steel products.**

“The total value of the non-compliant products is no more than the lesser of \$1,000,000 or 5% of total applicable costs for the project.” The contractor shall submit to the engineer any non-domestic materials and their total material cost to the engineer. The contractor and the engineer will both track these totals to assure that the minimal usage allowance is not exceeded.

- Third-Party Test Waiver for Concrete Aggregate

**1.0 Description.** Third party tests may be allowed for determining the durability factor for concrete pavement and concrete masonry aggregate.

**2.0 Material.** All aggregate for concrete shall be in accordance with Sec 1005.

**2.1** MoDOT personnel shall be present at the time of sampling at the quarry. The aggregate sample shall be placed in an approved tamper-evident container (provided by the quarry) for shipment to the third-party testing facility.

**2.2** AASHTO T 161 Method B Resistance of Concrete to Rapid Freezing and Thawing, shall be used to determine the aggregate durability factor. All concrete beams for testing shall be 3-inch wide by 4-inch deep by 16-inch long or 3.5-inch wide by 4.5-inch deep by 16-inch long. All beams for testing shall receive a 35-day wet cure fully immersed in saturated lime water prior to initiating the testing process.

**2.3** Concrete test beams shall be made using a MoDOT approved concrete pavement mix design.

**3.0 Testing Facility Requirements.** All third-party test facilities shall meet the requirements outlined in this provision.

**3.1** The testing facility shall be AASHTO accredited.

**3.1.1** For tests ran after January 1, 2025, accreditation documentation shall be on file with the Construction and Materials Division prior to any tests being performed.

**3.1.2** Construction and Materials Division may consider tests completed prior to January 1, 2025, to be acceptable if all sections of this provision are met, with the exception of 3.1.1. Accreditation documentation shall be provided with the test results for tests completed prior to January 1, 2025. No tests completed prior to September 1, 2024, will be accepted.

**3.2** The testing facility shall provide their testing process, list of equipment, equipment calibration documentation, and testing certifications or qualifications of technicians performing the AASHTO T 161 Procedure B tests. The testing facility shall provide details on their freezing and thawing apparatus including the time and temperature profile of their freeze-thaw chamber. The profile shall include the temperature set points throughout the entirety of the freeze-thaw cycle. The profile shall show the cycle time at which the apparatus drains/fills with water and the cycle time at which the apparatus begins cooling the specimens.

**3.3** Results, no more than five years old, from the third-party test facility shall compare within  $\pm 2.0$  percent of an independent test from another AASHTO accredited test facility or with MoDOT test records, in order to be approved for use (e.g. test facility results in a durability factor of 79, MoDOT's recent durability test factor is 81; this compared within +2 percent). The independent testing facility shall be in accordance with this provision. The comparison test can be from a different sample of the same ledge combination.

**3.4** When there is a dispute between the third party durability test results and MoDOT durability test results, the MoDOT durability test result shall govern.

**3.5** Test results shall be submitted to MoDOT's Construction and Materials division electronically for final approval. Test results shall include raw data for all measurements of relative dynamic modulus of elasticity and percent length change for each individual concrete specimen. Raw data

shall include initial measurements made at zero cycles and every subsequent measurement of concrete specimens. Raw data shall include the cycle count and date each measurement was taken. Test results shall also include properties of the concrete mixture as required by AASHTO T 161. This shall include the gradation of the coarse aggregate sample. If AASHTO T 152 is used to measure fresh air content, then the aggregate correction factor for the mix determined in accordance with AASHTO T 152 shall also be included.

**4.0 Method of Measurement.** There is no method of measurement for this provision. The testing requirements and number of specimens shall be in accordance with AASHTO T 161 Procedure B.

**5.0 Basis of Payment.** No direct payment will be made to the contractor or quarry to recover the cost of aggregate samples, sample shipments, testing equipment, labor to prepare samples or test samples, or developing the durability report.

- **Delete paragraph 15.0 of the General Provision Disadvantaged Business Enterprise (DBE) Program Requirements and substitute the following:**

**15.0 Bidder's List Quote Summary.** MoDOT is a recipient of federal funds and is required by 49 CFR 26.11 to provide data about its DBE program. All bidders who seek to work on federally assisted contracts must submit data about all DBE and non-DBEs in accordance with Sec 102.7.9. MoDOT will not compare the submitted Bidder's List Quote Summary to any other documents or submittals, pre or post award. All information will be used by MoDOT in accordance with 49 CFR 26.11 for reporting to USDOT and to aid in overall DBE goal setting.

- **Add Sec 102.7.9 to include the following:**

**102.7.9 Bidder's List Quote Summary.** Each bidder shall submit with each bid a summary of all subcontractors, material suppliers, and service providers (e.g. hauling) considered on federally funded projects pursuant to 49 CFR 26.11. The bidder will provide the firm's name, the corresponding North American Industry Classification System (NAICS) code(s) the firm(s) were considered for, and whether or not they were used in the bid. The information submitted should be the most complete information available at the time of bid. The information shall be disclosed on the Bidder's List Quote Summary form provided in the bidding documents and submitted in accordance with Sec 102.10. Failure to disclose this information may result in a bid being declared irregular.

G. Utilities JSP-93-26F

**1.0** For informational purposes only, the following is a list of names, addresses, and telephone numbers of the known utility companies in the area of the construction work for this improvement:

**F0565**

<u>Utility Name</u>	<u>Known Required Adjustment</u>	<u>Type</u>
AT&T Distribution Ken Lovette Phone: (573) 300-0490 Email: <a href="mailto:kl6298@att.com">kl6298@att.com</a>	Yes Section 2.0	Fiber Optic, Telephone, Television
New Wave Communications (Sparklight) Nick Smythia Phone: (417) 861-6471 Email: <a href="mailto:nick.smythia@cableone.biz">nick.smythia@cableone.biz</a>	None	Fiber Optic, Telephone, Television
Ameren Missouri Aaron Jones Phone: (573) 587-8404 Email: <a href="mailto:ajones8@ameren.com">ajones8@ameren.com</a>	Yes Section 2.0	Electric

**J0740**

<u>Utility Name</u>	<u>Known Required Adjustment</u>	<u>Type</u>
Ameren Missouri Gas Josh Beussink Phone: (573) 579-6576 Email: <a href="mailto:jbeussink@ameren.com">jbeussink@ameren.com</a>	None	Gas
AT&T Distribution Ken Lovette Phone: (573) 300-0490 Email: <a href="mailto:kl6298@att.com">kl6298@att.com</a>	None	Fiber Optic, Telephone, Television
New Wave Communications (Sparklight) Nick Smythia Phone: (417) 861-6471 Email: <a href="mailto:nick.smythia@cableone.biz">nick.smythia@cableone.biz</a>	None	Fiber Optic, Telephone, Television
SEMO Electric Cooperative Brad Milam Phone: (573) 703-1099 Email: <a href="mailto:brad@gosemo.com">brad@gosemo.com</a>	None	Electric, Fiber Optic, Telephone, Television

**1.1** The existence and approximate location of utility facilities known to exist, as shown on the plans, are based upon the best information available to the Commission at this time. This information is provided by the Commission "as-is" and the Commission expressly disclaims any representation or warranty as to the completeness, accuracy, or suitability of the information for any use. Reliance upon this information is done at the risk and peril of the user, and the Commission shall not be liable for any damages that may arise from any error in the information. It is, therefore, the responsibility of the contractor to verify the above listing information indicating existence, location and status of any facility. Such verification includes direct contact with the listed utilities.

## 2.0 Project Specific Provisions:

### F0565

AT&T Distribution has facilities along the right-of-way on the south side of Route 114. The existing riser located on the southeastern quadrant of the bridge shall be adjusted to grade to eliminate conflicts with the proposed side slope of the proposed adjacent driveway. The contractor shall contact Ken Lovette 4 weeks before starting construction.

Ameren Missouri has facilities along the right-of-way on the south side of Route 114. The guy wire of the existing utility pole located in the southeastern quadrant of the bridge shall be adjusted to eliminate conflicts with the proposed adjacent driveway. The contractor shall contact Aaron Jones 4 weeks before starting construction.

## H. Clean Water Act Section 404 Permit Requirements NJSP 21-02

**1.0 Description.** The Contractor shall be aware that any work within streams, wetlands, or special aquatic sites requires a Clean Water Act Section 404 permit from the United States Army Corps of Engineers (USACE).

**2.0** This project meets the conditions of the following listed permits with no pre-construction notification (No PCN) to the USACE:

Section 404 Nationwide Permit (NWP)

**3.0** The Contractor shall abide by all general and regional conditions of Section 404 Permits, Section 401 Water Quality Certification, and specific conditions of the following listed Nationwide Permit found in the General Provisions and Supplemental Specifications to the current Missouri Standard Specifications for Highway Construction referenced in this contract.

Enter permit numbers indicated in NWP No PCN letter attached to RES

**3.1** If the Contractor makes any changes to the scope or limits of the project, the Contractor shall notify the Engineer who shall then notify the MoDOT Environmental Section to verify the project still meets permit conditions.

**3.2** No additional time will be added to this contract for the Contractor to obtain any permits unless the need for additional permits is beyond the control of the Contractor.

**4.0 Basis of Payment.** There will be no direct payment for compliance with this provision.

## I. Contractor Quality Control NJSP-15-42

**1.0** The contractor shall perform Quality Control (QC) testing in accordance with the specifications and as specified herein. The contractor shall submit a Quality Control Plan (QC Plan) to the engineer for approval that includes all items listed in Section 2.0, prior to beginning work.

## **2.0 Quality Control Plan.**

- (a) The name and contact information of the person in responsible charge of the QC testing.
- (b) A list of the QC technicians who will perform testing on the project, including the fields in which they are certified to perform testing.
- (c) A proposed independent third party testing firm for dispute resolution, including all contact information.
- (d) A list of Hold Points, when specified by the engineer.
- (e) The MoDOT Standard Inspection and Testing Plan (ITP). This shall be the version that is posted at the time of bid on the MoDOT website ([www.modot.org/quality](http://www.modot.org/quality)).

**3.0 Quality Control Testing and Reporting.** Testing shall be performed per the test method and frequency specified in the ITP. All personnel who perform sampling or testing shall be certified in the MoDOT Technician Certification Program for each test that they perform.

**3.1 Reporting of Test Results.** All QC test reports shall be submitted as soon as practical, but no later than the day following the test. Test data shall be immediately provided to the engineer upon request at any time, including prior to the submission of the test report. No payment will be made for the work performed until acceptable QC test results have been received by the engineer and confirmed by QA test results.

**3.1.1** Test results shall be reported on electronic forms provided by MoDOT. Forms and Contractor Reporting Excel2Oracle Reports (CRE2O) can be found on the MoDOT website. All required forms, reports and material certifications shall be uploaded to a Microsoft SharePoint® site provided by MoDOT, and organized in the file structure established by MoDOT.

**3.2 Non-Conformance Reporting.** A Non-Conformance Report (NCR) shall be submitted by the contractor when the contractor proposes to incorporate material into the work that does not meet the testing requirements or for any work that does not comply with the contract terms or specifications.

**3.2.1** Non-Conformance Reporting shall be submitted electronically on the Non-Conformance Report form provided on the MoDOT Website. The NCR shall be uploaded to the MoDOT SharePoint® site and an email notification sent to the engineer.

**3.2.2** The contractor shall propose a resolution to the non-conforming material or work. Acceptance of a resolution by the engineer is required before closure of the non-conformance report.

## **4.0 Work Planning and Scheduling.**

**4.1 Two-week Schedule.** Each week, the contractor shall submit to the engineer a schedule that outlines the planned project activities for the following two-week period. The two-week schedule shall detail all work and traffic control events planned for that period and any Hold Points specified by the engineer.

**4.2 Weekly Meeting.** When work is active, the contractor shall hold a weekly project meeting with the engineer to review the planned activities for the following week and to resolve any outstanding issues. Attendees shall include the engineer, the contractor superintendent or project manager and any foreman leading major activities. This meeting may be waived when, in the

opinion of the engineer, a meeting is not necessary. Attendees may join the meeting in person, by phone or video conference.

**4.3 Pre-Activity Meeting.** A pre-activity meeting is required in advance of the start of each new activity, except when waived by the engineer. The purpose of this meeting is to review construction details of the new activity. At a minimum, the discussion topics shall include: safety precautions, QC testing, traffic impacts, and any required Hold Points. Attendees shall include the engineer, the contractor superintendent and the foreman who will be leading the new activity. Pre-activity meetings may be held in conjunction with the weekly project meeting.

**4.4 Hold Points.** Hold Points are events that require approval by the engineer prior to continuation of work. Hold Points occur at definable stages of work when, in the opinion of the engineer, a review of the preceding work is necessary before continuation to the next stage.

**4.4.1** A list of typical Hold Point events is available on the MoDOT website. Use of the Hold Point process will only be required for the project-specific list of Hold Points, if any, that the engineer submits to the contractor in advance of the work. The engineer may make changes to the Hold Point list at any time.

**4.4.2** Prior to all Hold Point inspections, the contractor shall verify the work has been completed in accordance with the contract and specifications. If the engineer identifies any corrective actions needed during a Hold Point inspection, the corrections shall be completed prior to continuing work. The engineer may require a new Hold Point to be scheduled if the corrections require a follow-up inspection. Re-scheduling of Hold Points require a minimum 24-hour advance notification from the contractor unless otherwise allowed by the engineer.

**5.0 Quality Assurance Testing and Inspection.** MoDOT will perform quality assurance testing and inspection of the work, except as specified herein. The contractor shall utilize the inspection checklists provided in the ITP as a guide to minimize findings by MoDOT inspection staff. Submittal of completed checklists is not required, except as specified in 5.1.

**5.1** Inspection and testing required in the production of concrete for the project shall be the responsibility of the contractor. Submittal of the 501 Concrete Plant Checklist is required.

**6.0 Basis of Payment.** No direct payment will be made for compliance with this provision

J. Restrictions for Migratory Birds NJSP-16-06A

**1.0 Description.** Swallows or other bird species protected by the Migratory Bird Treaty Act may be nesting under the bridge or bridges that will be repaired under this contract.

**2.0 Restrictions.** To comply with the Migratory Bird Treaty Act, nests of protected species cannot be disturbed when active (eggs or young are present). Generally, nests are active between April 1 and July 31, but active nests can be present outside of these dates.

**3.0 Avoidance Measures.** The contractor shall not disturb active nests or destroy adults, eggs or young birds. In an effort to comply with the Migratory Bird Treaty Act, the contractor operations will be limited to the options established in the following sections.

**3.1 Inactive or Partially Constructed Nests.** If nests are present and MoDOT determines that the nests are inactive or partially constructed, the contractor may remove the nests provided that the colony's inactive or partially constructed nests are completely removed by March 15 and the contractor maintains a nest free condition until the bridge work is complete. Dry removal methods shall be used when practicable. If dry removal is not practicable, hydro cleaning may be used if approved by the Engineer and only if water is free of blasting grit, chemicals, or detergents, and applied using pressure less than 5,000 PSI. Clean water such as that from municipal water treatment plants or wells shall be used. Use of source water from Waters of the State (i.e., streams or lakes), is allowable, if the appropriate methods to prevent the possible spread of invasive aquatic species are implemented.

**3.2 Water and Equipment Used for Hydro cleaning.** Aquatic invasives such as zebra mussels and some algae species have infested several bodies of water in the United States and can be transported by vessels (barges, boats, tugs, tankers, etc.) and equipment (tanks, tubing, pumps, etc.) that have been used in areas that contain these invasive species. If equipment is not properly inspected and treated to prevent the spread of invasives, these species can be introduced into areas not currently known to have a population. These invasive species are detrimental to existing ecosystems and can outcompete native species. To assist in preventing the introduction and spread of aquatic invasive species through MoDOT projects in Missouri streams and lakes, the following precautions shall be followed.

**3.2.1 Use of Water from Streams, Lakes or Ponds.** Contractors shall not use water for nest removal from streams, lakes or ponds, unless they have implemented appropriate methods to prevent the possible spread of invasive aquatic species. Water sources from municipal water treatment plants or wells may be used without following these measures provided the equipment to be used has not previously contained waters from streams, lakes or ponds. If the equipment has previously contained waters from other streams or lakes, the following measures must be implemented prior to use.

**3.2.1.1 Equipment Washing.** Prior to the use or re-use of equipment following any use with water from streams, lakes or ponds, all equipment shall be washed and rinsed thoroughly with hard spray (power wash) and hot (minimum 120° F) water, for at least one minute.

**3.2.1.2 Equipment Treating or Drying.** Equipment shall be treated or dried in one of the following manners.

**3.2.1.2.1** Equipment interior and/or other surfaces shall be treated with a 10% bleach solution to kill any aquatic nuisance species. This solution must also be run through all intake lines and hoses, to sterilize interior components. When chlorine treatment is used, all chlorine runoff from equipment washing must be collected and properly treated and/or disposed of in accordance with Sec 806.

**3.2.1.2.2** Equipment interior and/or other surfaces shall be treated with 140° F water for a minimum of 10 seconds contact on all surfaces. 140 ° F water must also be run through all intake lines and hoses, to purge any standing water.

**3.2.1.2.3** Equipment shall be flushed of all non-municipal water, and dried thoroughly, in the sun before using in or transporting between streams and lakes. Dry times will depend on the season the equipment is being used. Equipment must dry a minimum of 7 days for June-September, 18 days for March-May; 18 days for October-November, and 30 days for December-February. The drying method should be reserved as a last resort option.

**3.2.2** Prior to use of equipment, contractors shall provide the MoDOT inspector written documentation of the equipment's geographic origin (including the water body it was last used in), as well as defining the specified treatment method used to adequately ensure protection against invasive species. The written documentation will include a statement indicating the contractor is aware of these provisions and will also treat the equipment appropriately after completion of the project.

**3.3 Active Nests.** The contractor may work on the bridge if active nests are present, as long as the work does not impact or disturb the birds and/or nests. At a minimum, work shall not be performed within 10 feet of an active nest; however, the contractor is responsible for ensuring their activities do not impact the nests, eggs, or young.

**4.0 Additional Responsibilities.** If active bird nests remain after all reasonable avoidance measures have been taken, or if bird nests are observed during project construction, the contractor shall notify the Resident Engineer and contact the MoDOT Environmental Section (573-526-4778) to determine if there are other allowable options.

K. Slurry and Residue Produced During Surface Treatment of PCCP and Bridge Decks JSP-06-05A

**1.1 Description.** This work covers the requirements for controlling residue or slurry produced by milling, grinding, planing, grooving or other methods of surface treatments on new or existing PCCP and bridge decks in addition to Section 622.

**2.0 Construction Requirements.** The following shall be considered the minimum requirements for performing this work within the project limits.

**2.1** The contractor shall submit to the Engineer for approval in writing prior to the pre-construction meeting, the best management practices (BMP's) to be used to protect the environment, including the method of disposal of the residue whether on right of way or off-site.

**2.2** When slurry is dispersed on the right of way, BMP's shall be installed to keep slurry or residue from entering paved ditches or structures discharging within the areas restricted by Section 622.303.8.6, from entering any waterways or from leaving the right of way.

**2.3** Upon approval of the contractor's BMP and residue disposal plan and prior to the contractor beginning surface treatment operations, the Engineer will identify slurry or residue "no discharge zones".

**2.4** Operations may be suspended by the Engineer during periods of rainfall or during freezing temperatures.

**3.0 Basis of Payment.** No direct payment for slurry or residue control requirements for BMP's will be made. Compliance with this specification along with the cost of all materials, labor, and equipment necessary for the surface treatment work shall be included in and completely covered by the unit price bid for each of the items of work for surface treatment included in contract.

L. Pipe Culverts

Delete Sec 724.1.1 and Sec 724.1.2 and substitute the following:

**724.1.1** The contract will specify either the type of pipe or the group of permissible types of pipe. For Group C pipe, the contractor shall furnish smooth-walled steel pipe. No substitutions will be allowed.

	Group A <sup>b</sup>	Group B <sup>b</sup>	Group C
<b>Flexible Pipe -- Metal<sup>a</sup></b>	<b>Size</b>	<b>Size</b>	<b>Size</b>
Aluminum Coated Steel Pipe	ALL	ALL	ALL
Polymer Coated Steel Pipe	ALL	ALL	ALL
Aluminum Alloy Pipe	ALL	ALL	ALL
Bituminous Coated Steel Pipe	NA	NA	ALL

<sup>a</sup>Metal Pipe used for storm sewer applications shall be Type IA or Type IR.

<sup>b</sup>Pipe used for storm sewers under the influent of a pavement section or future anticipated influence of a pavement section which has a 3,500 ADT or greater shall be Group A pipe. Pipe used in other storm sewer applications shall be group B. No other substitutions will be allowed.

**724.1.2** The culvert shall be constructed in accordance with Sec 725.

M. Flap Gate

**1.0 Description.** This work shall consist of furnishing and installing flap gates of standard design and fit the opening shown on the plans.

**2.0 Materials.** Flap gates shall be constructed as follows.

<b>BILL OF MATERIAL</b>		
<b>PC. #</b>	<b>DESCRIPTION</b>	<b># REQUIRED</b>
1	CONNECTING BAND - VAR LENGTH (A)	1
2	1/4" x 2" BAR x 2 1/2" LONG	2
3	1/4" PLATE COVER VAR DIA. (B) - UP TO 24" DIA. PIPE 3/8" PLATE COVER VAR DIA. (B) - ALL PIPES GREATER THAN 24" DIA.	1
4	1/4" x 2" BAR x VAR LENGTH (C)	2
5	1/4" x 2" BAR x 2" LONG W/BRASS BUSHINGS	2
6	7/16" Ø ROD x 8 1/2" LONG	1
7	FLAT BAND LUGS	2
8	1/2" Ø x 6" BAND BOLT & NUT	1
	ATTACHMENT BOLTS (3/8" Ø x 1 1/2" HEX. HEAD)	4

**2.1** As a standard finish all gates shall be painted with a shop coat of red oxide.

**3.0 Construction Requirements.** Flap gates shall react to any difference in water level, and shall be hinged to seat accurately. Flap gates shall be constructed according to Figure 1 – Dimension Details, Figure 2 – Connecting Band and Figure 3 – Cover Plate.

**4.0 Method of Measurement.** For the basis of this contract, all materials used in constructing the flag gate shall be considered as a single unit. Measurement will be made per each unit installed by the contractor and accepted by the engineer.

**5.0 Basis of Payment.** The accepted quantity for flap gates, complete in place including connection to the pipe, will be paid for at the contract unit price of each. No additional payment will be made for any labor, equipment or time necessary to fulfill the requirements of this special provision.

DIMENSION DETAILS			
PIPE DIA.	(A) CONNECTING BAND LENGTH	(B) PLATE COVER DIA.	(C) BAR LENGTH
15"	54"	18.5"	16"
18"	64"	21.5"	19"
21"	74"	24.5"	22"
24"	83"	27.5"	25"
30"	102"	33.5"	31"
36"	120"	39.5"	36"
42"	140"	45.5"	42"
48"	159"	51.5"	49"

**Figure 1 – Dimension Details**

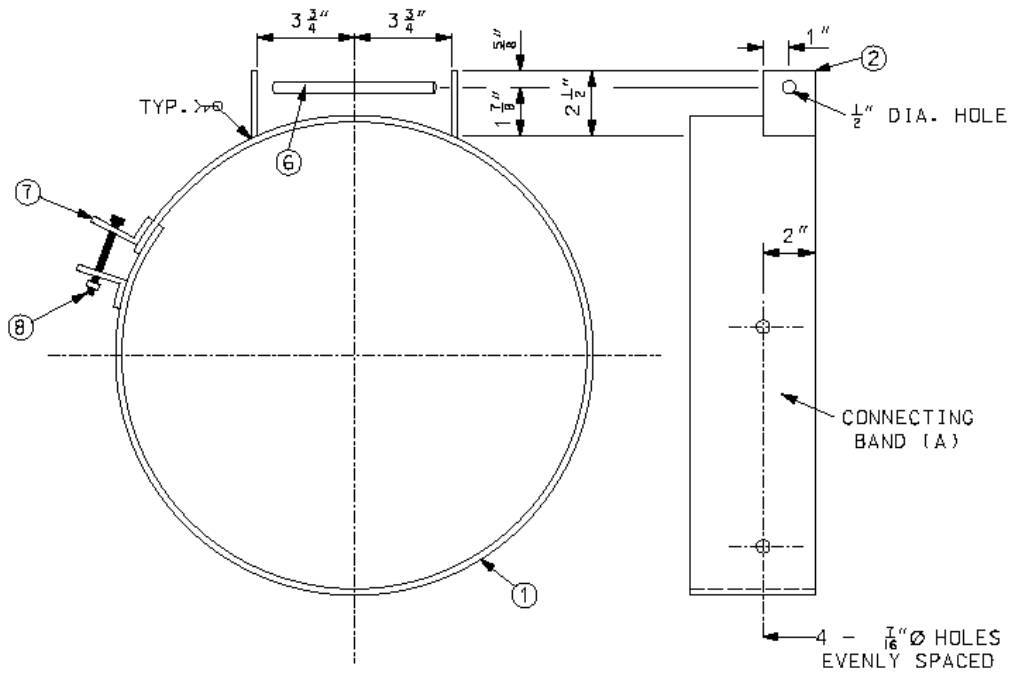


Figure 2 - Connecting Band

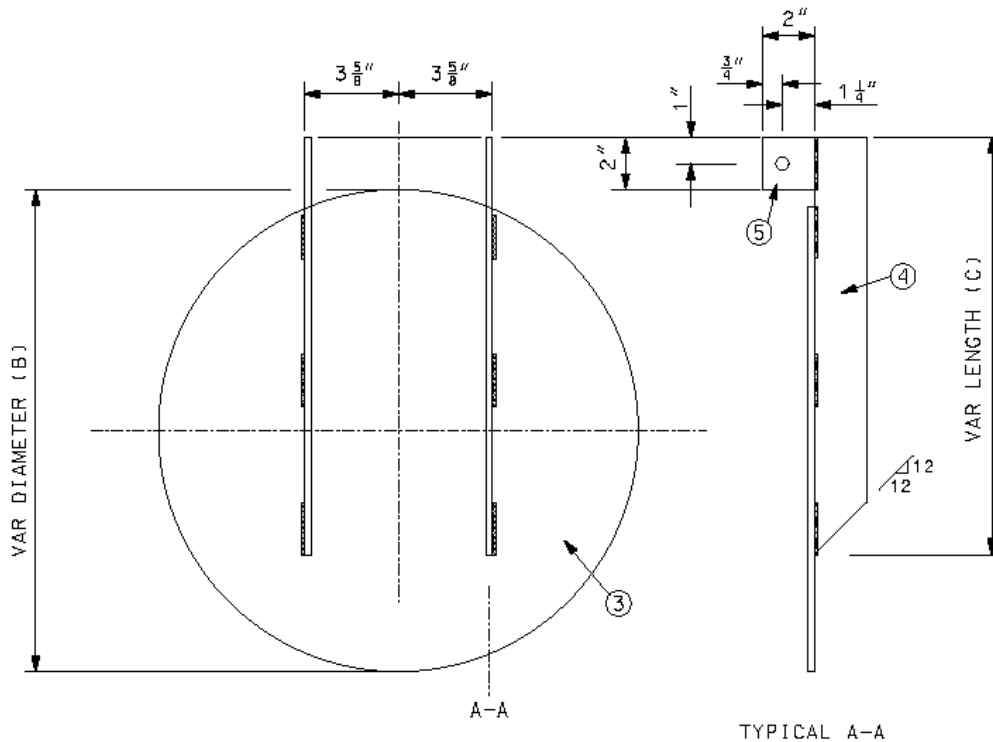


Figure 3 - Cover Plate

N. Optional Pavements JSP 06-06H

**1.0 Description.** This work shall consist of a pavement composed of either Portland cement concrete or asphaltic concrete constructed on a prepared subgrade. This work shall be performed in accordance with the standard specifications and as shown on the plans or established by the engineer.

**2.0** The quantities shown reflect the total square yards of pavement surface designated for each pavement type as computed and shown on the plans.

**2.1** No additional payment will be made for asphaltic concrete mix quantities to construct the required 1:1 slope along the edge of the pavement, or for tack applied between lifts of asphalt.

**2.2** No additional payment will be made for aggregate base quantities outside the limits of the final surface area as computed and shown on the plans. When A2 shoulders are specified, payment for aggregate base will be as shown on the plans.

**2.3** The grading shown on the plans was designed for the thinner pavement option. For projects with grading in the contract, there will be no adjustment of the earthwork quantities due to adjusting the roadway subgrade for optional pavements.

**2.4** The contractor shall comply with Sections 401 through 403 for the asphalt option and Sections 501 and 502 for the concrete option.

**2.5** Pavement options composed of Portland cement concrete shall have contrast pavement marking for intermittent markings (skips), dotted lines, and solid intersection lane lines. The pavement markings shall be in accordance with Section 620. No additional payment will be made for the contrast pavement markings.

**3.0 Method of Measurement.** The quantities of concrete pavement will be measured in accordance with Section 502.14. The quantities of asphaltic concrete pavement will be measured in accordance with Section 403.22.

**4.0 Basis of Payment.** The accepted quantity of the chosen option will be paid for at the contract unit bid price for Item 401-99.05, Optional Pavement, per square yard.

**4.1** For projects with previously graded roadbeds, any additional quantities required to bring the roadway subgrade to the proper elevation will be considered completely covered by the pay item for Subgrading and Shouldering.

**4.2 Price Adjustment for Fuel.** If the contractor accepts the option for fuel adjustment in the bid proposal, a fuel adjustment will be applied in accordance with Sec 109.14 for the type of pavement constructed.

O. Liquidated Damages for Winter Months JSP-04-17A

Delete Sec 108.8.1.3 (a)

Liquidated damages for failure to complete the work on time shall not be waived from December 15 to March 15, both dates inclusive.

P. Seeding and Mulching Requirements JSP-2503

**1.0 Seeding.** Seeding shall be in accordance with Sec. 805 except as otherwise stated herein. Cool season grasses shall be utilized in accordance with Standard Plan 805.00.

**1.1 Temporary Seeding.** Temporary seeding shall be in accordance with Sec. 806.50 except as otherwise stated herein.

**2.0 Mulching.** Mulching shall be in accordance with Sec. 802 except as otherwise stated herein.

**3.0 Method of Measurement.** No measurement will be made for seeding, temporary seeding or mulching. Seeding and mulching of all disturbed areas, including any additional areas disturbed beyond what is shown on the plans, shall be considered included in the single lump sum item provided.

**4.0 Basis of Payment.** All labor, equipment, and materials necessary to complete all seeding, temporary seeding and mulching shall be completely covered under the lump sum price for item 805-99.01, Seeding and Mulching - Cool Season Grasses.

Q. USGS Stream Gauging Station

**1.0 Description.** The Contractor shall notify the US Geological Survey a minimum of 6 weeks prior to beginning work on the project. They will coordinate with the Contractor for the removal of the stream gauging station. The Contractor is only responsible for contacting the USGS; any actual removal of the stream gauging station will be carried out by USGS staff. Contact information is below:

Matt Williams  
Supervisory Hydrologic Technician  
USGS Central Midwest Water Science Center  
1028 S. Bishop Ave., PMB 206  
Rolla, MO. 65401  
Phone: 573-368-9924  
Email: meli@usgs.gov

**2.0 Method of Measurement.** No measurement will be made.

**3.0 Basis of Payment.** Any labor, equipment, time, or materials necessary to complete this work shall be completely incidental and shall be at no direct pay.

R. Guardrail Grading Requirements JSP-17-02B

**1.0 Description.** Guardrail installation and grading shall be in accordance with Missouri Standard Specifications for Highway Construction, Missouri Standard Plans for Highway Construction, and as described herein.

**2.0 Construction Requirements.** When guardrail and/or end treatment removal and replacement requires grading of the shoulder and/or slopes, Section 606.3.1(b), (c), and 606.3.1.1 of the Missouri Standard Specifications shall be waived and the following shall apply:

a) Along roadways and shoulders, remove no more guardrail than can be reconstructed within seven (7) calendar days, including weekends and holidays. The seven day counting period shall start when the first piece of safety hardware is removed.

b) The active work zone area that encompasses the guardrail and/or end treatment reconstruction, shall not exceed one (1) mile in length. The contractor shall be required to provide and maintain approved channelizing devices adjacent to the reconstruction area.

c) Only one-side of the roadway shall be worked on at the same time. Divided facilities shall be limited to work on one-side of each direction at the same time.

d) When the removal of any existing safety hardware device exposes non-breakaway obstacles, the reconstruction of the safety hardware device protecting the obstacle shall be replaced within 48 hours of removal or an approved temporary crashworthy device shall be provided, installed and maintained at the contractor's expense until the non-breakaway obstacle is permanently protected. The 48 hour counting period shall start when the first piece of safety hardware is removed.

e) Areas where guardrail and/or end treatments have been removed, but not yet replaced, shall be delineated in accordance with plans or as directed by the Engineer.

**3.0 Non-Compliance.** Non-compliance with this provision shall result in the immediate suspension of work in accordance with Sec 105.1.2. No work, including but not limited to additional guardrail removal and grading, shall be allowed to proceed except for work necessary to restore guardrail installation.

**4.0 Basis of Payment.** No direct payment will be made for compliance with this provision. Guardrail items, grading, and temporary traffic control devices will be paid for as provided in the contract.

S. Pavement Marking Log

**1.0 Description.** The contractor shall log the locations of existing pavement marking prior to any construction operations that may affect the existing pavement marking. The log shall contain all existing pavement marking and shall include center stripes, no passing stripes, lane lines, turn arrows, hash bars, cross walks, and stop bars. The contractor shall provide a copy of the existing pavement marking log to the engineer. The contractor shall place the new pavement marking at the same locations as the existing pavement marking, unless otherwise directed by the engineer or shown on the plans.

**2.0 Basis of Payment.** No direct payment will be made for logging of existing pavement marking.

T. Railroad Requirements

**1.0** The right of way of Union Pacific Railroad, herein called "Railroad", are located within the limits of this project. However, this project has been developed with the specific intention that no involvement with the Railroad's facilities, traffic or right of way is required for the performance of the contractual work herein. The work to be performed adjacent to the Railroad's right of way shall not interfere with the Railroad's operations or facilities. Under these circumstances, the

requirements of Sec 104.12.3, Sec 104.12.8 through 104.12.10.5 (inclusive), and Sec 107.13.4 shall not apply.

**2.0** Should the contractor violate this condition of no railroad involvement, all terms and conditions of the interaction with the Railroad shall be solely between the Railroad and the contractor.

U. Optional Shoulder Rumble Strip

**1.0 Description.** This work shall consist of edgeline rumble strips for optional pavement. This work shall be performed in accordance with the standard specifications and as shown on the plans or established by the engineer.

**2.0** The quantities shown reflect the total number of linear feet expressed in stations of edgeline rumble strip as computed and shown on the plans.

**2.1** No additional payment will be made regardless of pavement type.

**3.0 Method of Measurement.** Measurement shall be made per station as shown on the plans.

**4.0 Basis of Payment.** All expenses incurred by the contractor by reason of their compliance with this provision shall be considered as completely covered by the unit price bid for Item No. 626-99.09, "Optional Rumble Strip", per station.